

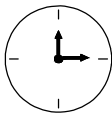
User Manual



Please feel free to contact us if you need help.
We are always online 24h a day.
service_April@163.com

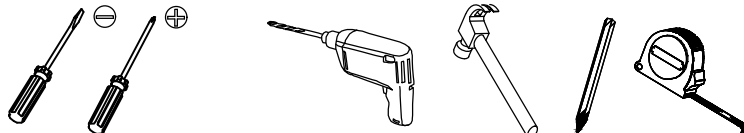


2PERS



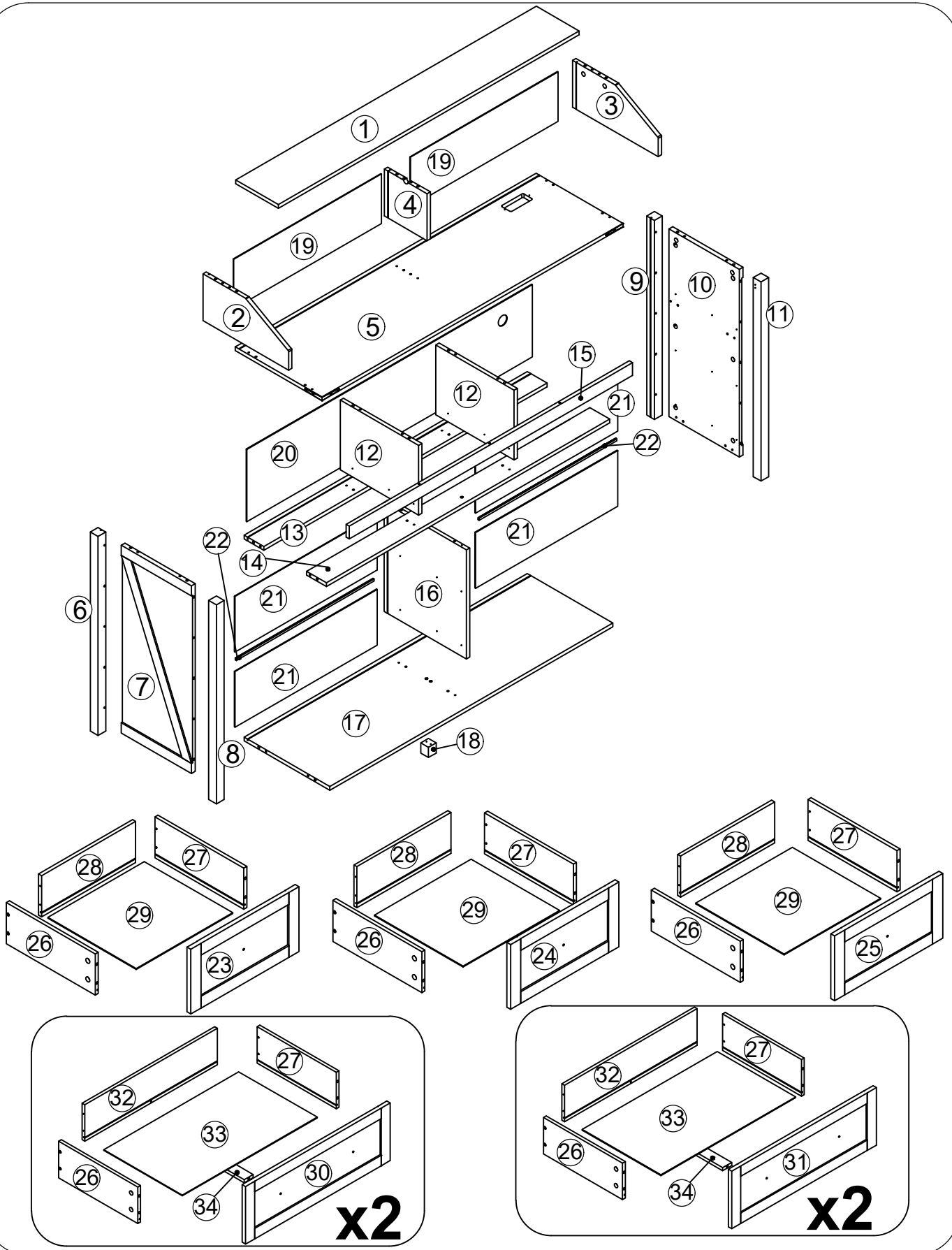
120MIN




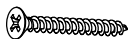

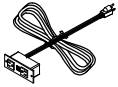








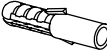

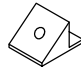






Tool Required Not Provided



Assembling Instruction

All accessories and installation tools are included



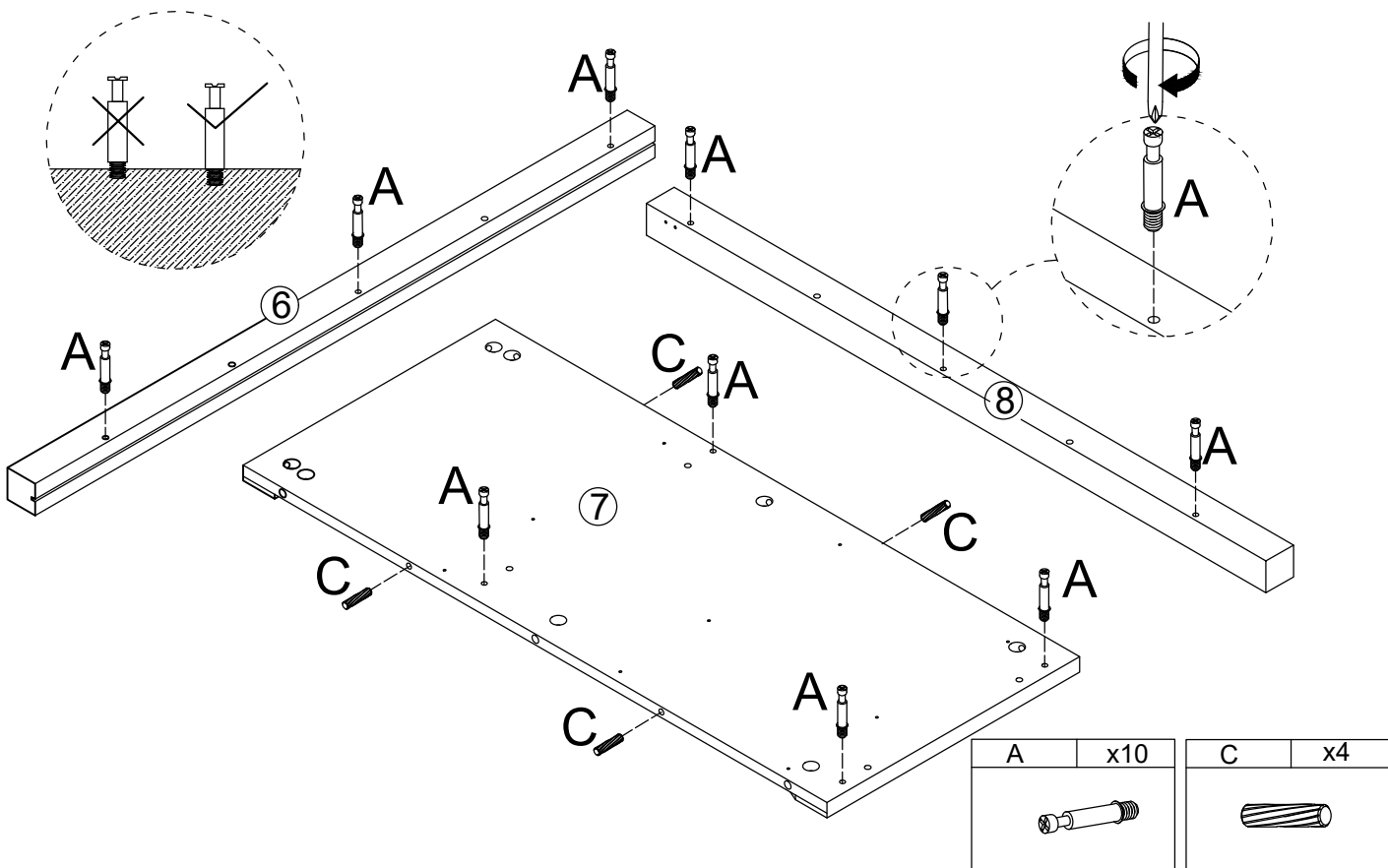
A	x66(+2)	B	x66(+2)	C	x47(+2)	D	x50(+2)	E	x108(+3)	F	x1
											
Ø6x35mm		Ø15x10mm		Ø6x30mm		Ø4x35mm		Ø3.5x12mm			
G	x2	H	x6	I	x11	J	x1	K	x4	L	x1
											
Ø3x12mm				I-1 I-2						L-1 L-2	
M	x1	N	x2	O	x2	P	x2	Q	x30(+2)	R	x30(+2)
											
						Ø4x14mm				Ø3x16mm	
S	x6	CL	x7	CR	x7	DL	x7	DR	x7		
											
Ø20mm		L350mm		L350mm		L350mm		L350mm			

Please check your package.

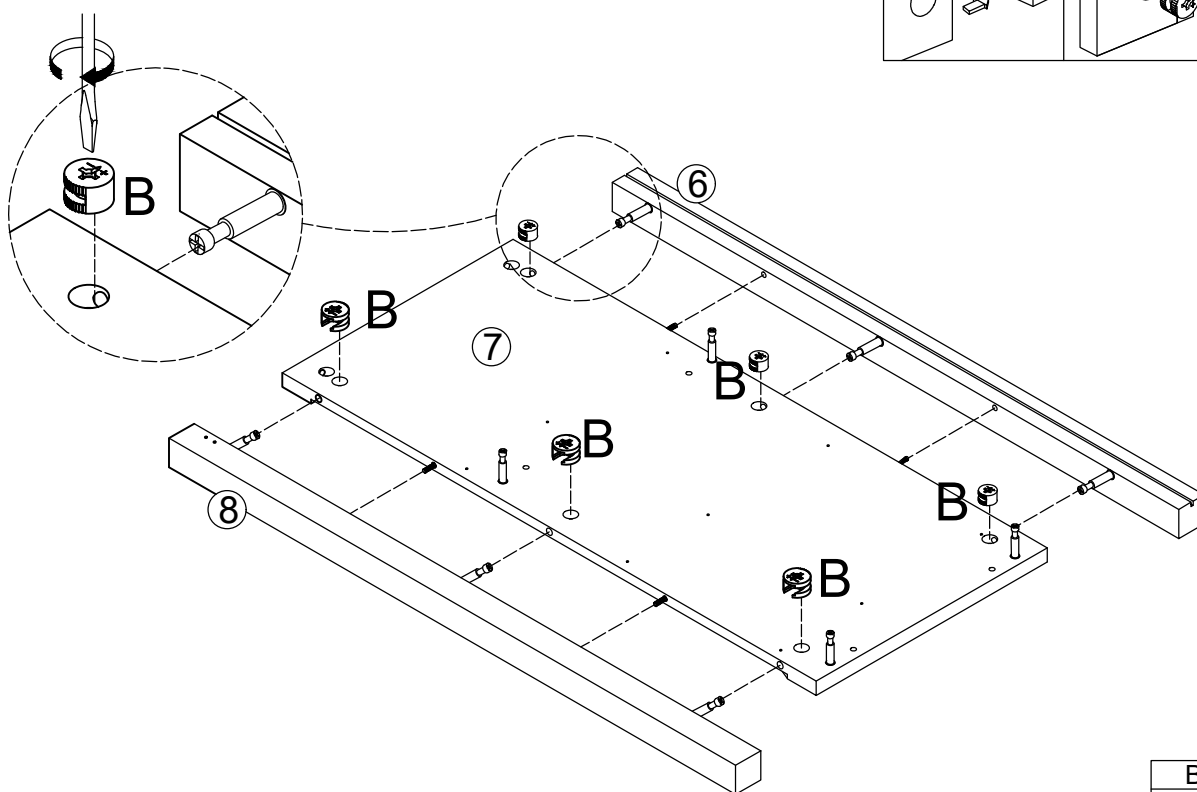
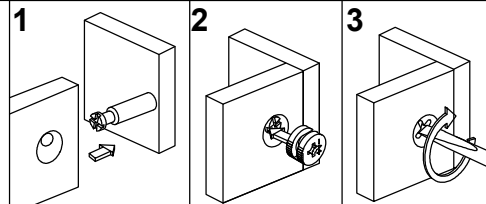
Feel free to contact us if parts are missing:service_April@163.com


Our staff will solve the problem for you at the first time.^^

- 1**
- ✧ Screw the A screws (10 pcs) onto the board ⑥⑦⑧.
 - ✧ Insert the wooden cork C (4 pcs) into the holes of board ⑦

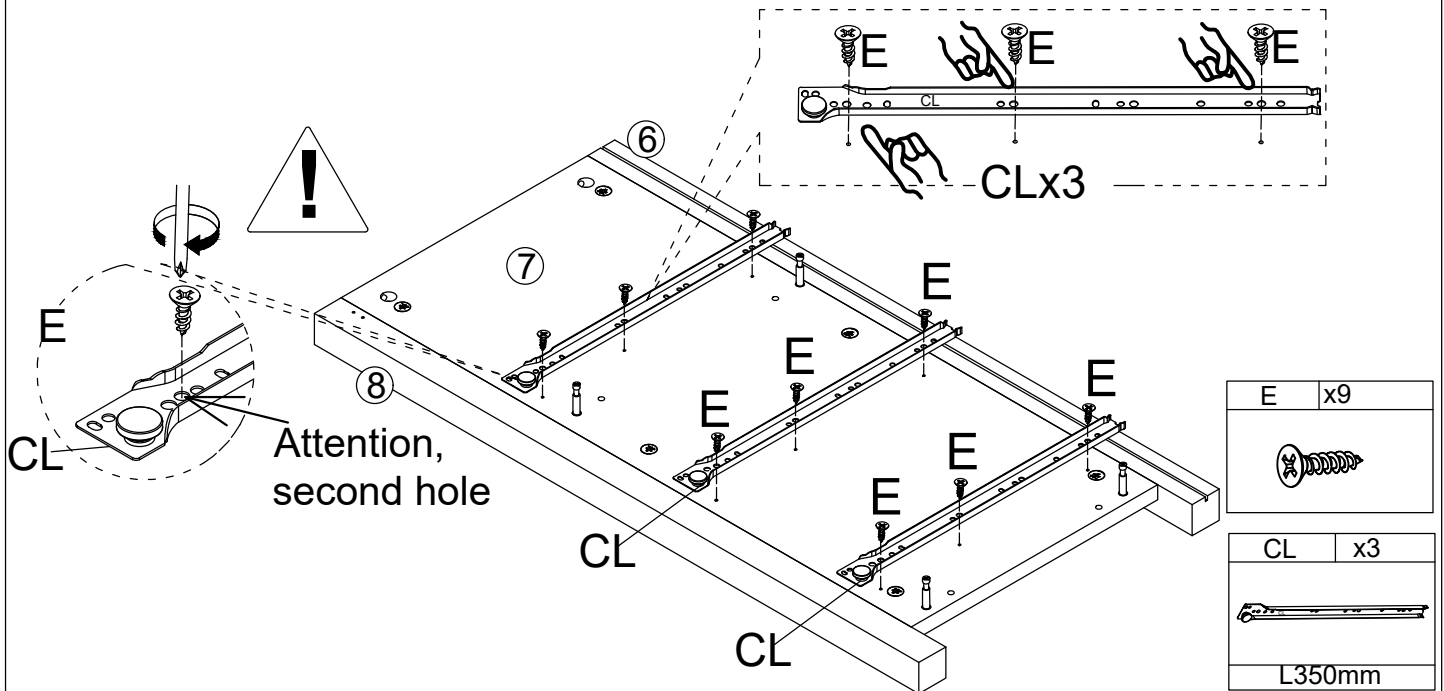


- 2**
- ✧ Use eccentric lockcollar B screws (6 pcs) to fix board ⑥⑦⑧.

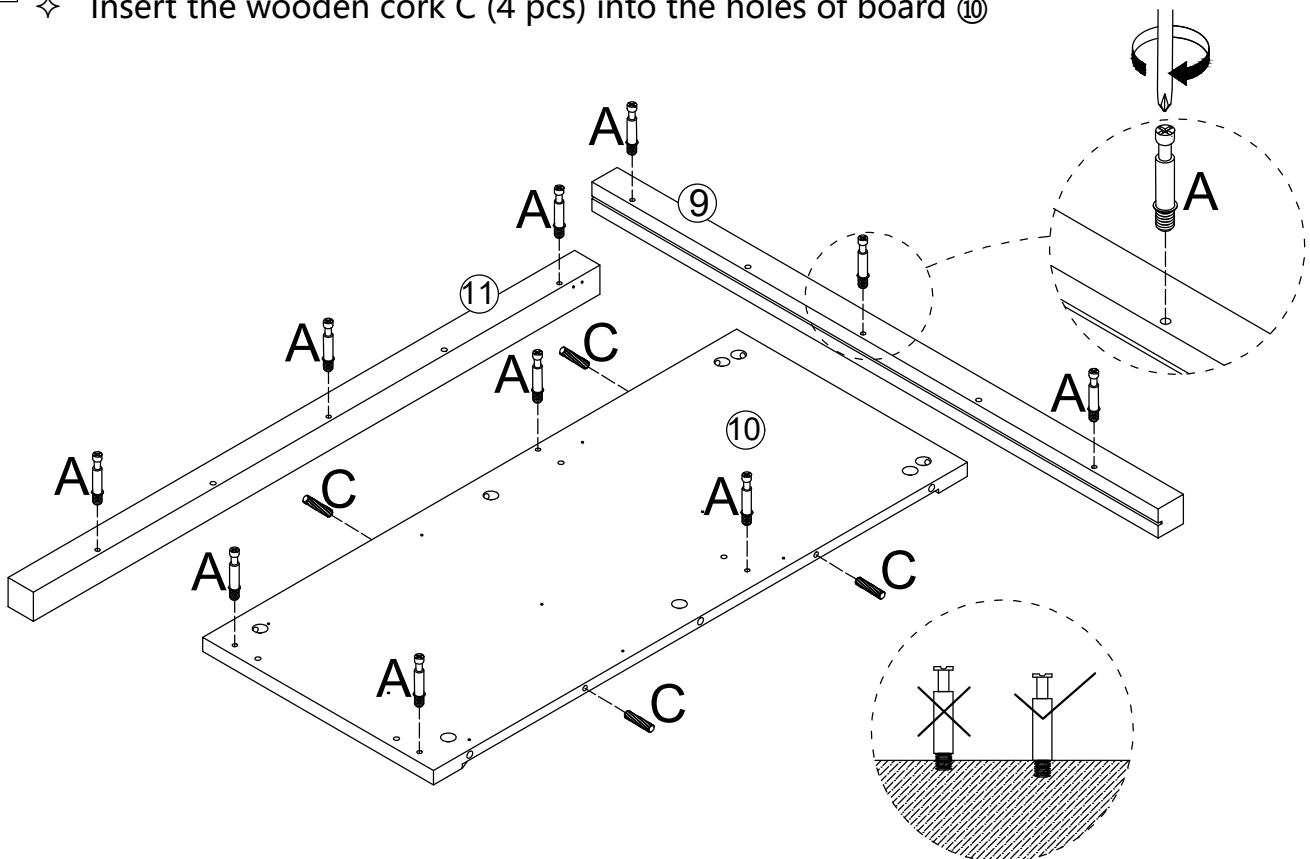


B	x6
	

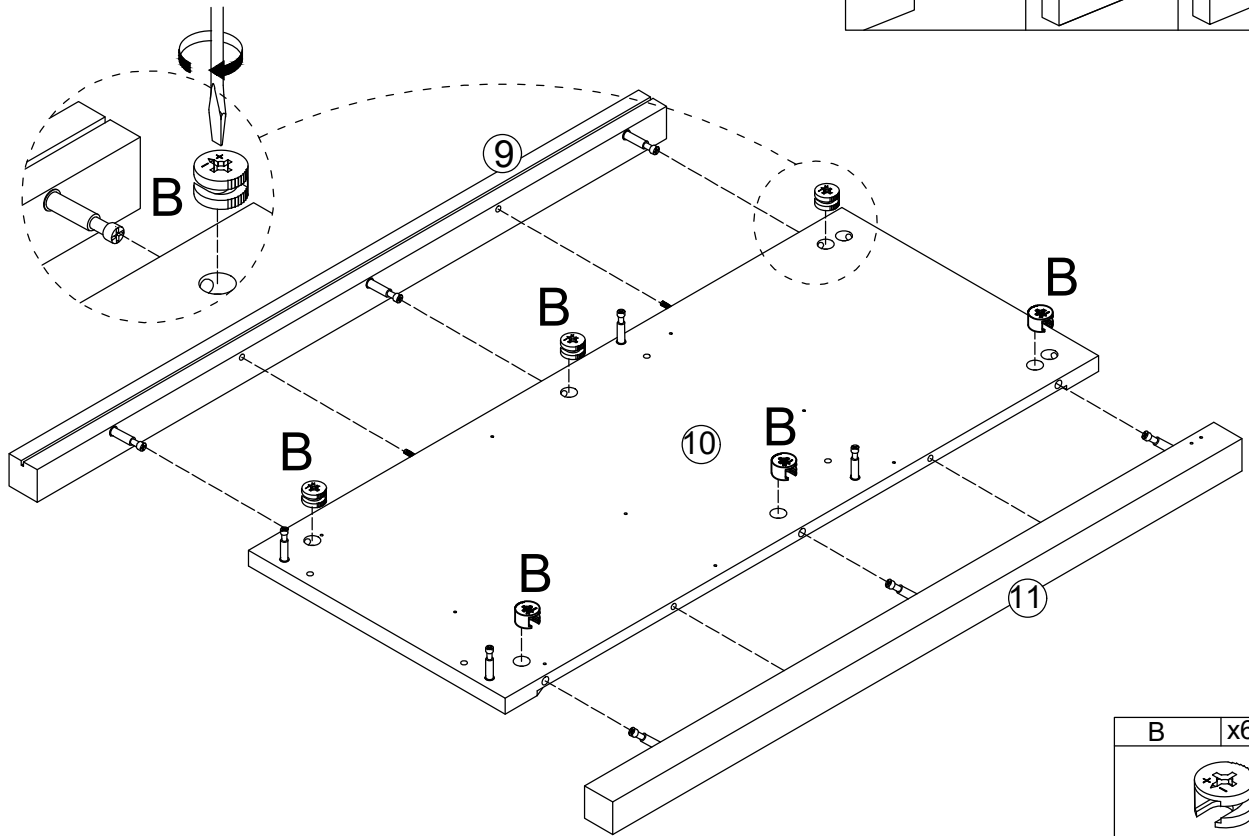
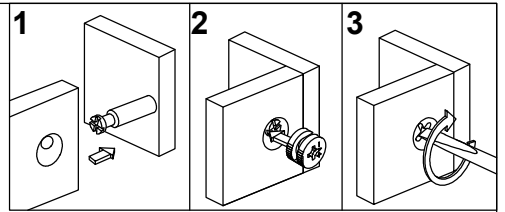
- 3
- ✦ Assemble part CL (3 pcs) on board ⑦ with E screws (9 pcs).
 - ✦ Please pay attention to the position of the E screw mounting hole is the second hole as prompted in the figure.



- 4
- ✦ Screw the A screws (10 pcs) onto the board ⑨⑩⑪.
 - ✦ Insert the wooden cork C (4 pcs) into the holes of board ⑩

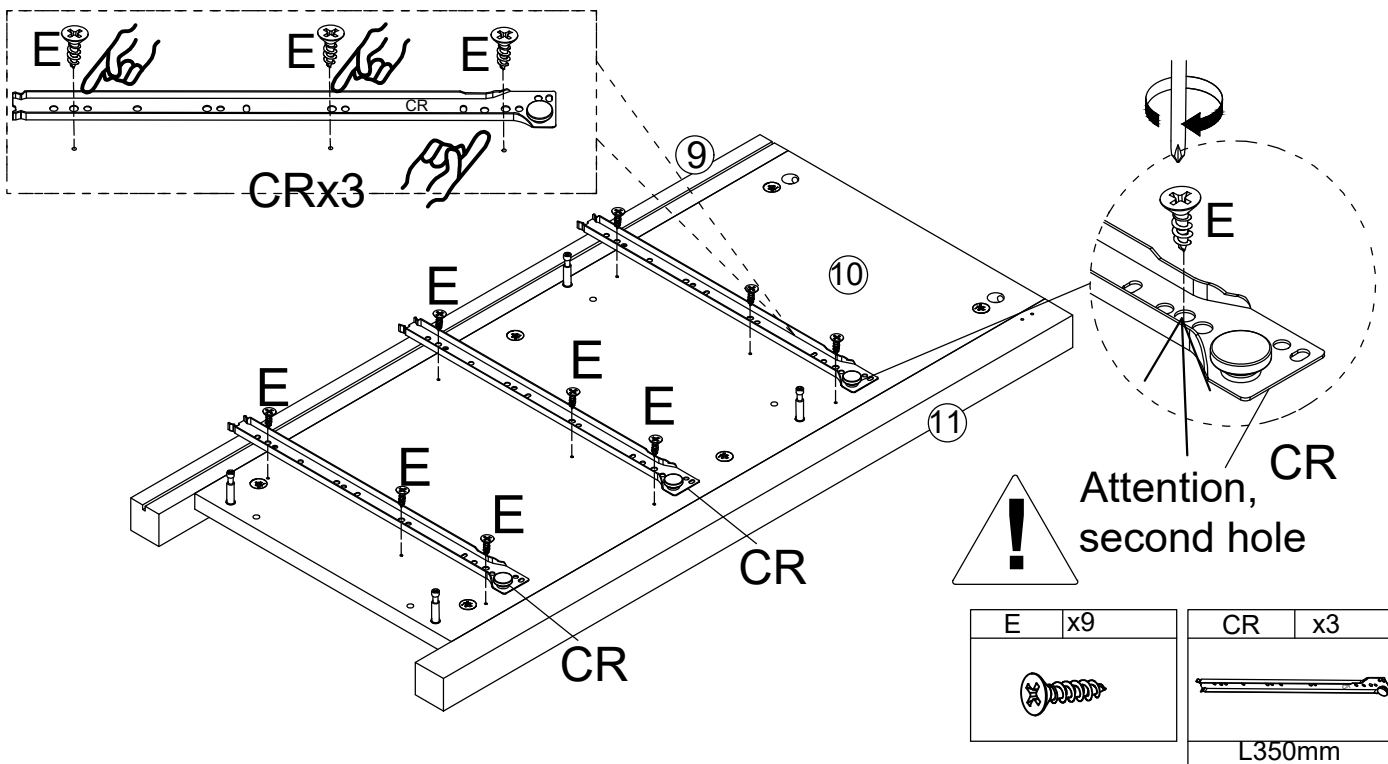


5 ✧ Use eccentric lockcollar B screws (6 pcs) to fix board ⑨⑩⑪



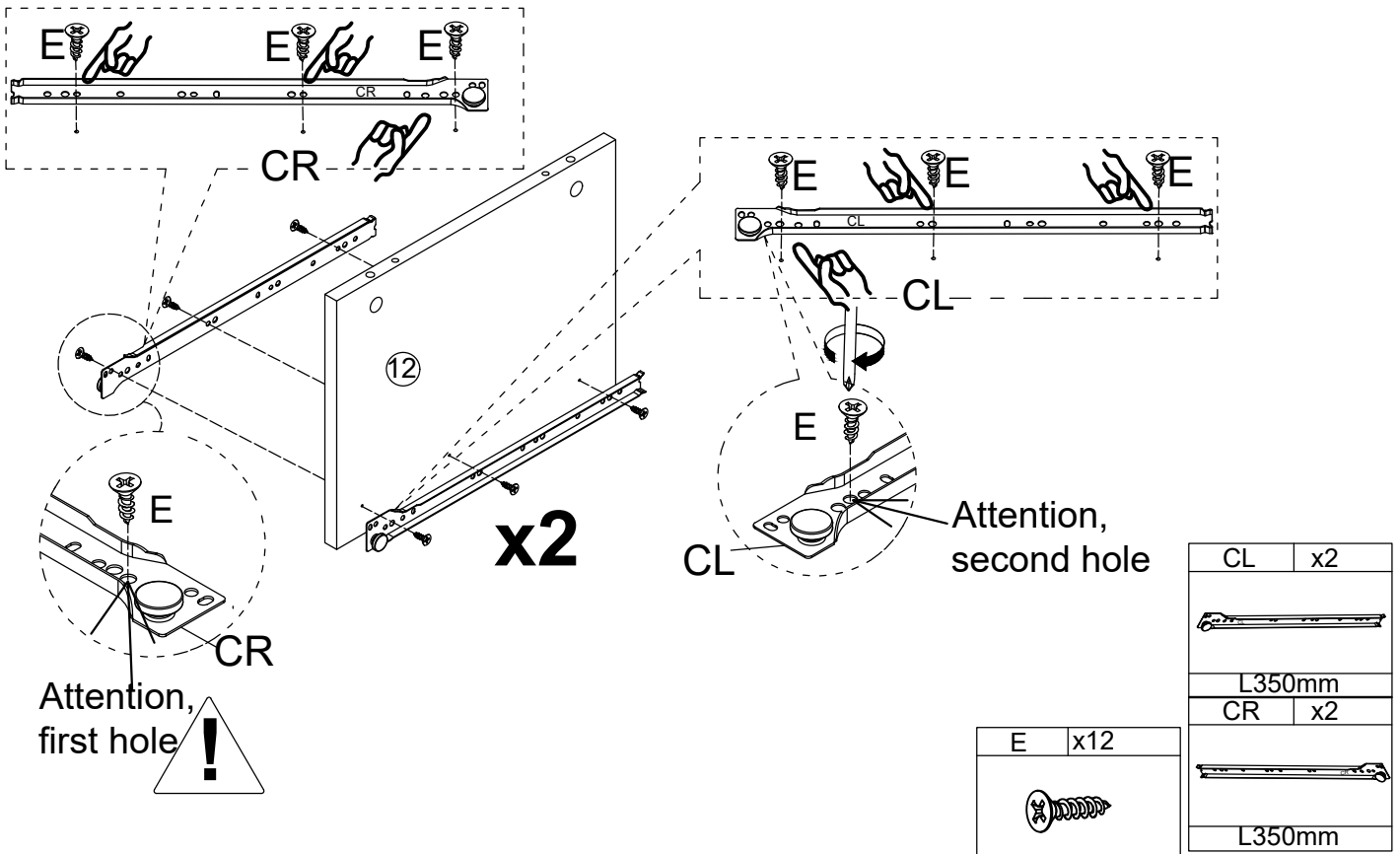
B	x6

6 ✧ Assemble part CR (3 pcs) on board ⑩ with E screws (9 pcs).
 ✧ Please pay attention to the position of the E screw mounting hole is the second hole as prompted in the figure.

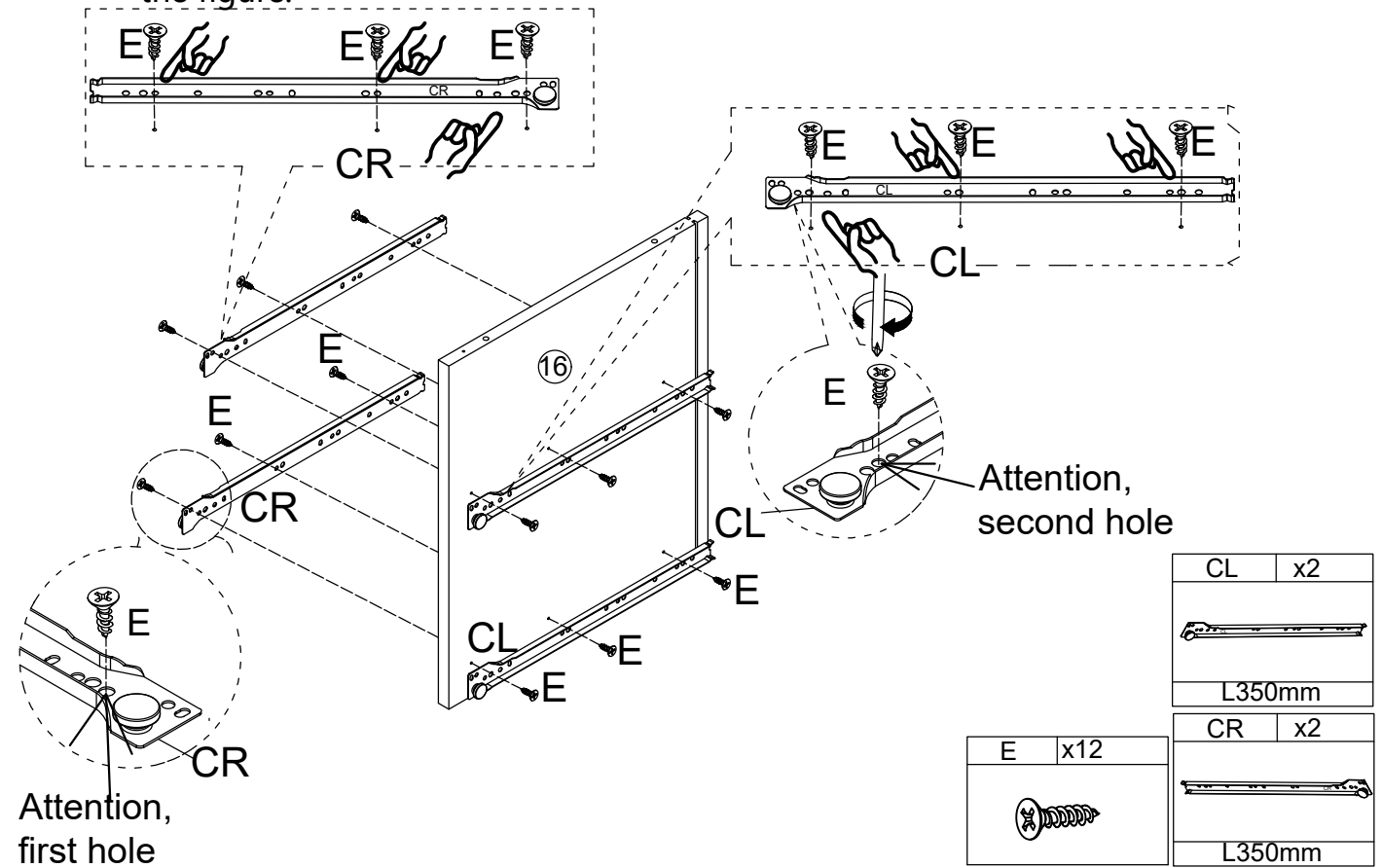


E	x9	CR	x3
L350mm			

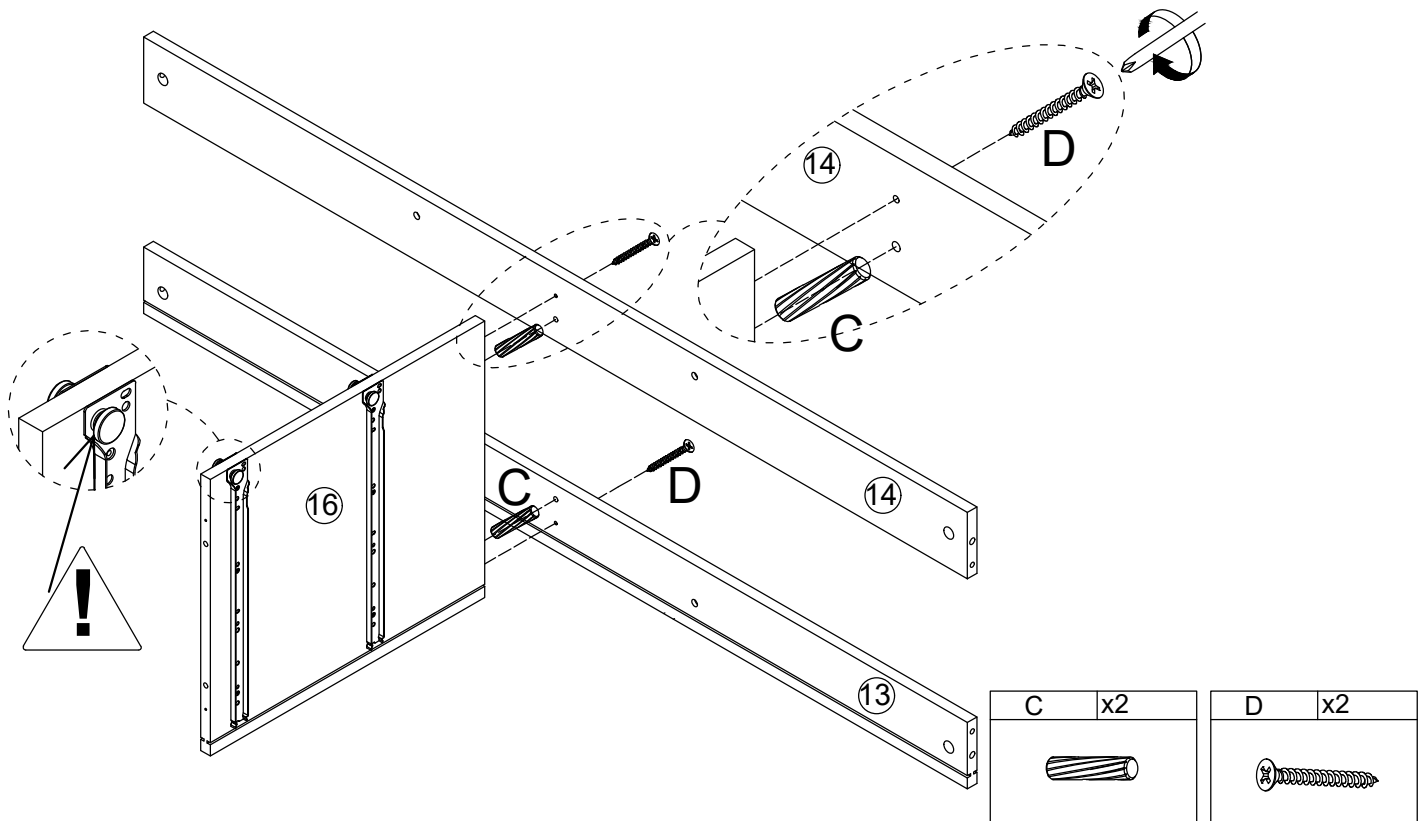
- 7
- ✧ Assemble part CR & CL on both sides of board ⑫ with E screws (6 pcs) in turn.
 - ✧ Please pay attention to the position of the E screw mounting hole as prompted in the figure.
 - ✧ The other board ⑫ can be assembled as described above.



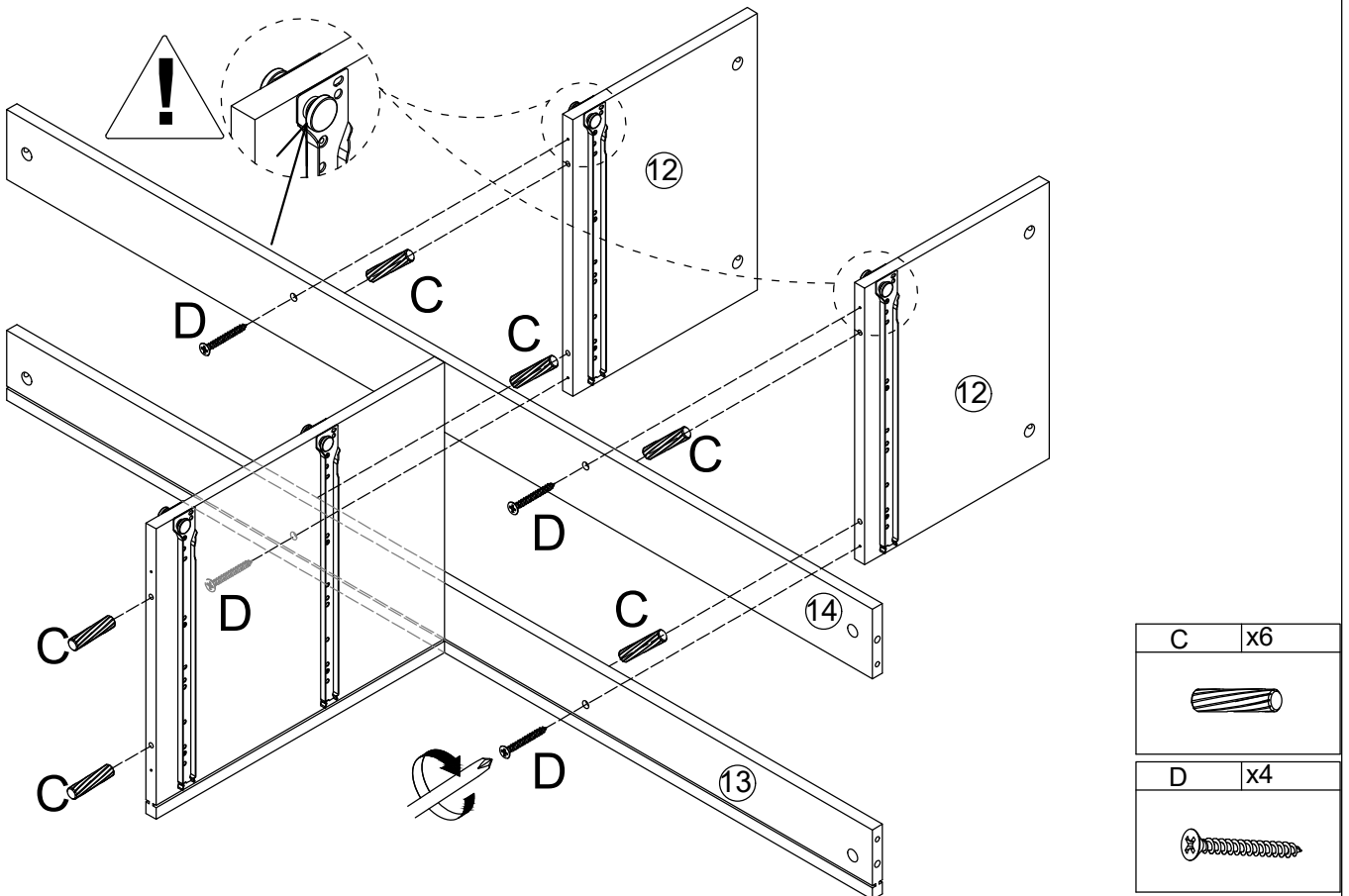
- 8
- ✧ Assemble part CR & CL (2 pcs) on both sides of board ⑯ with E screws (12 pcs) in turn.
 - ✧ Please pay attention to the position of the E screw mounting hole as prompted in the figure.



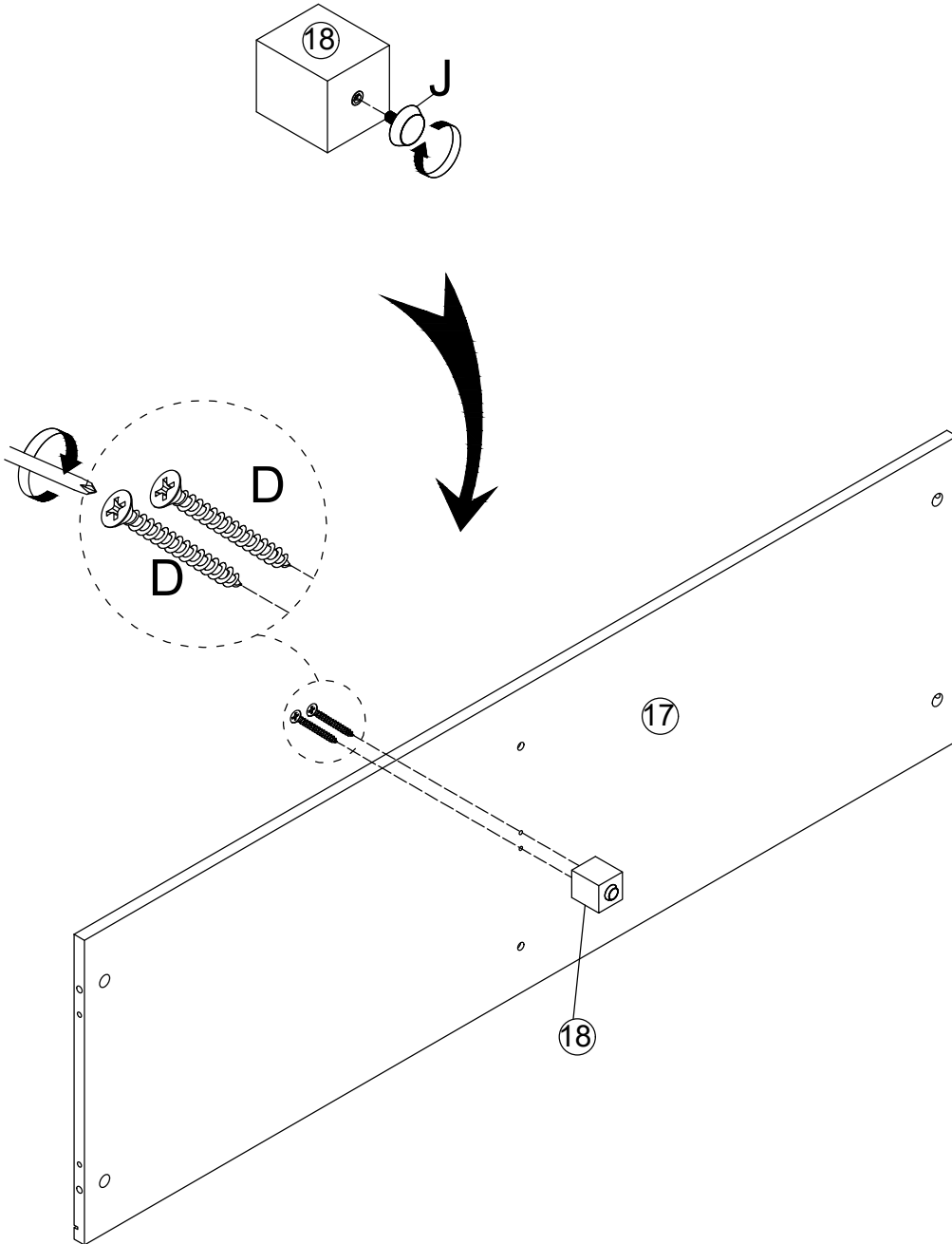
- 9 ✧ Insert the wooden cork C (2 pcs) into the board ⑬ holes and contact board ⑬⑭⑯ with the D screws (2 pcs).





- 10 ✧ Insert the wooden cork C (6 pcs) into the board ⑫⑯ holes and contact board ⑫⑬⑭ with the D screws (4 pcs).

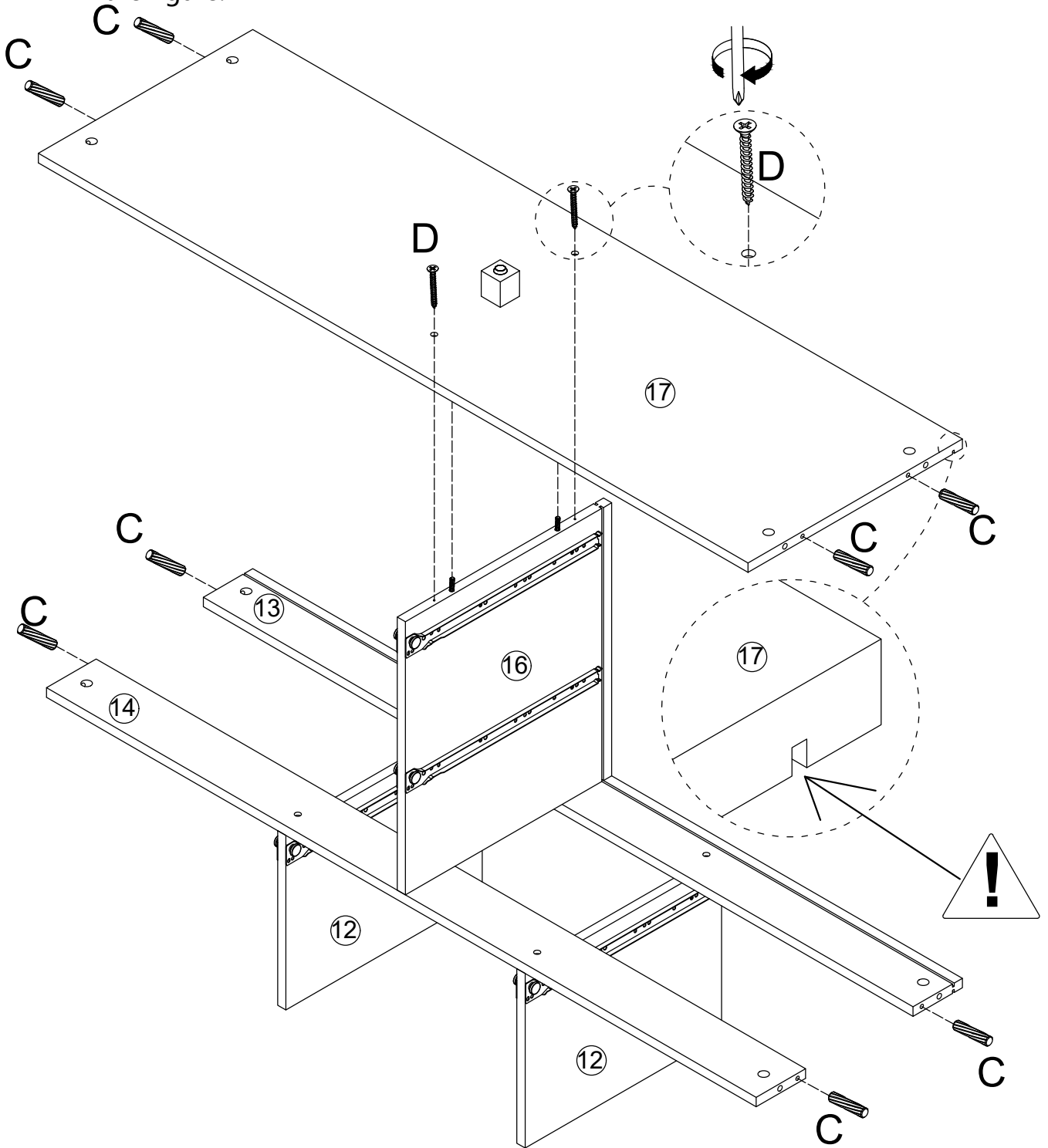




- 11
- ✧ Twist the foot fitting J onto the square part 18 in clockwise direction.
 - ✧ Assemble square part 18 on board 17 with D screws (2 pcs).



D	x2	J	x1
			

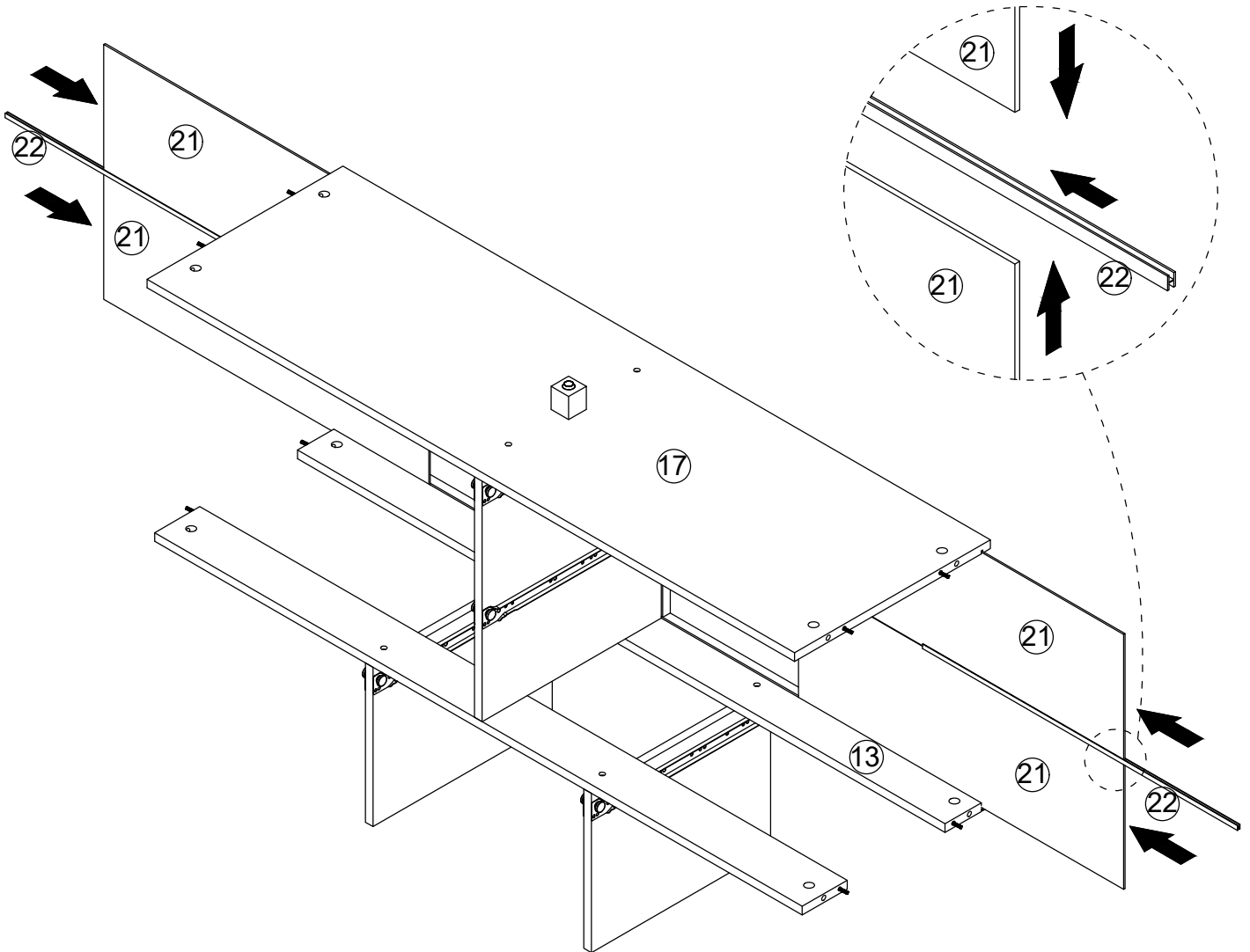
- 12
- ✦ Contact the board ⑯ and the board ⑰ with the D screws (2pcs).
 - ✦ Insert the wooden cork C (8 pcs) into the side holes of board ⑬ ⑭ ⑰.
 - ✦ Please pay attention to the position of the board ⑰ notch as prompted in the figure.



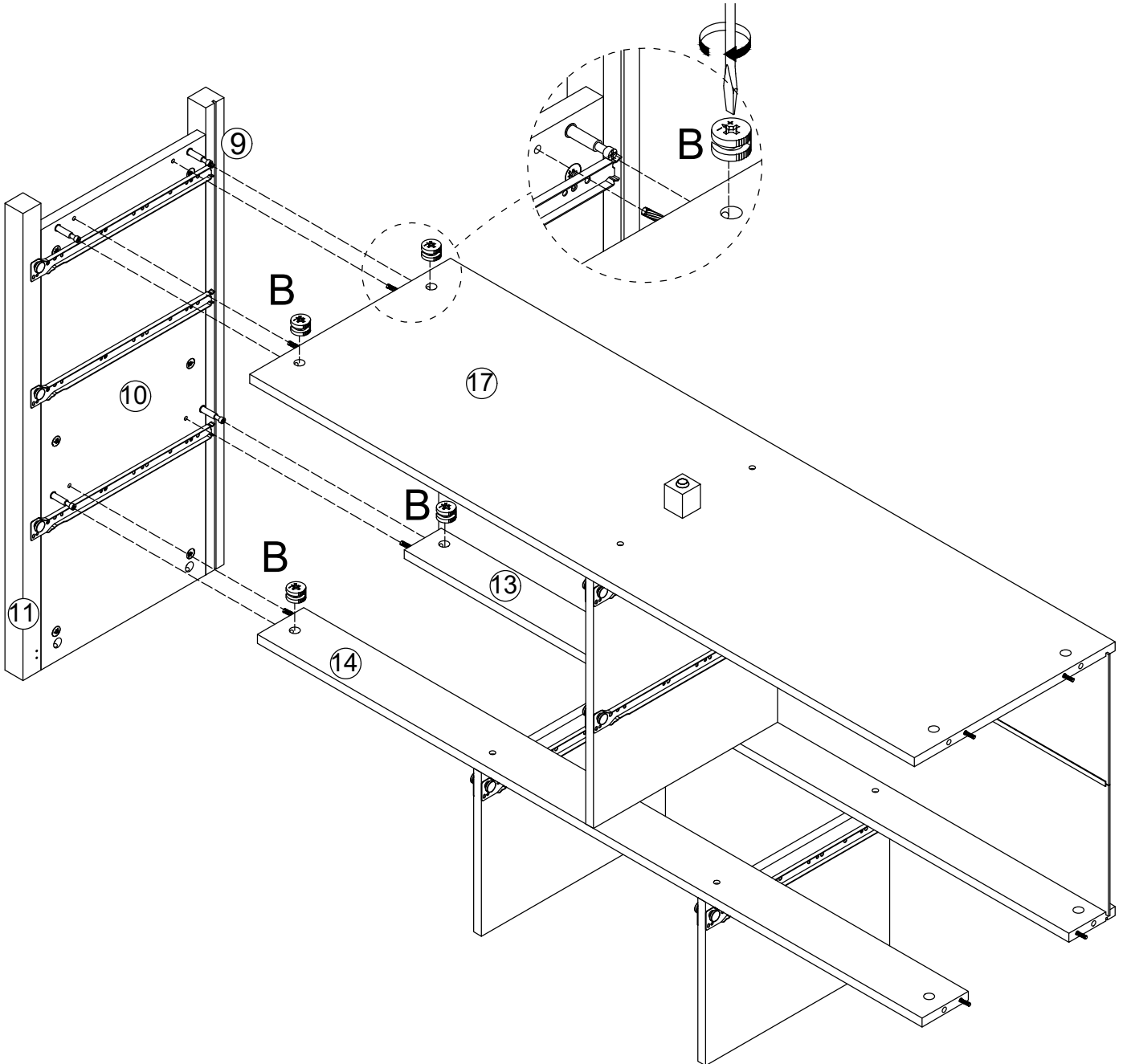
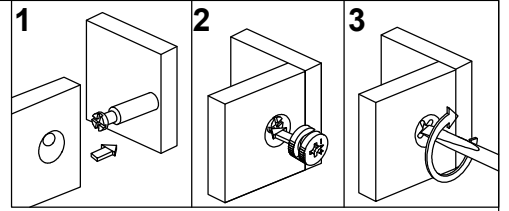
C	x8	D	x2
			

13

- ✧ Use metal pieces ②② to fix the board ②① (2 pcs) together.
- ✧ Insert the board which assembled in the previous step along the gap between board ⑬ and board ⑰ in turn.

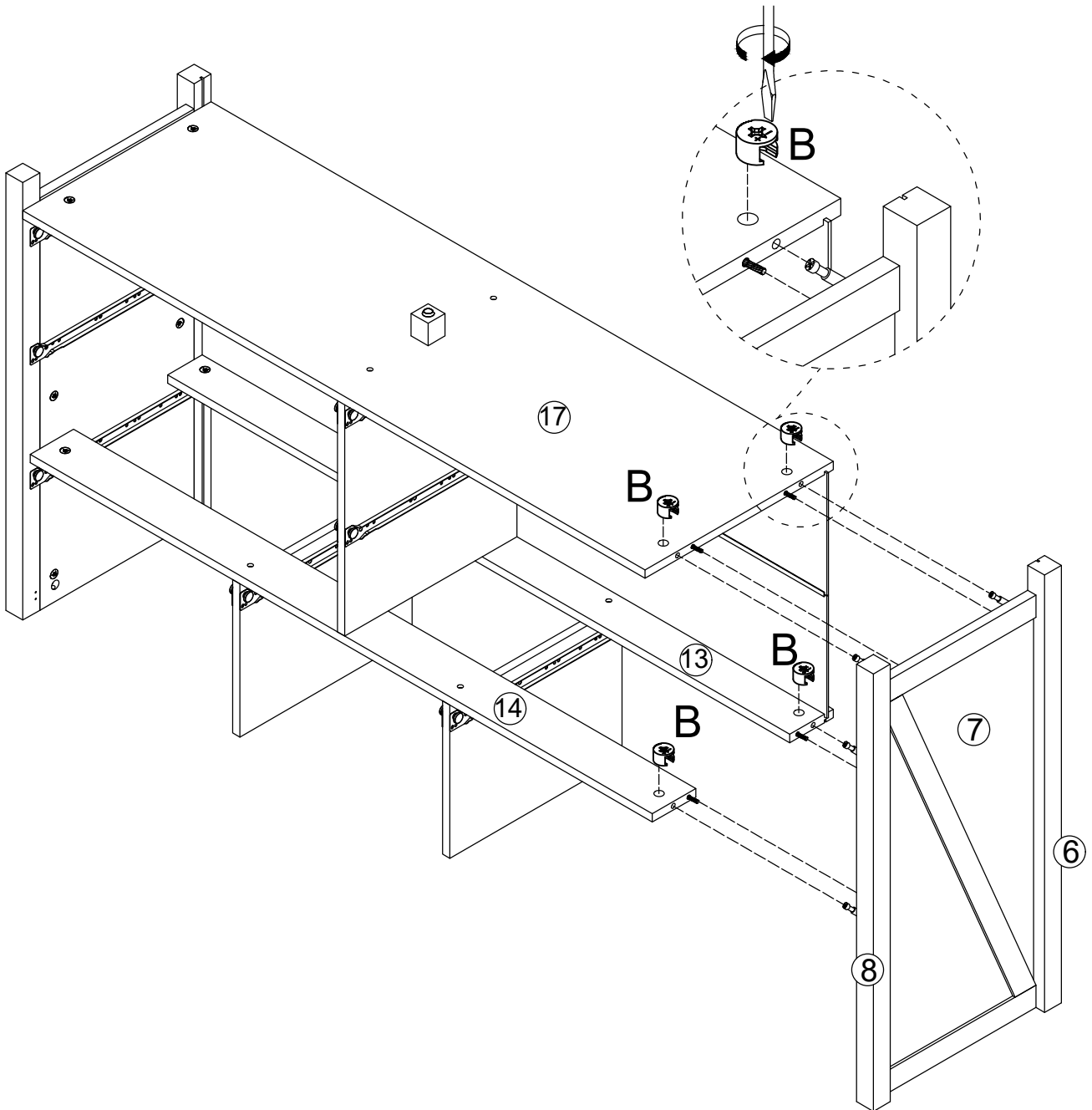
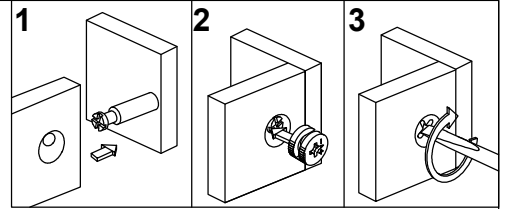


14 ✦ Use eccentric lockcollar B screws (4 pcs) to fix board ⑩⑬⑭⑰



B	x4

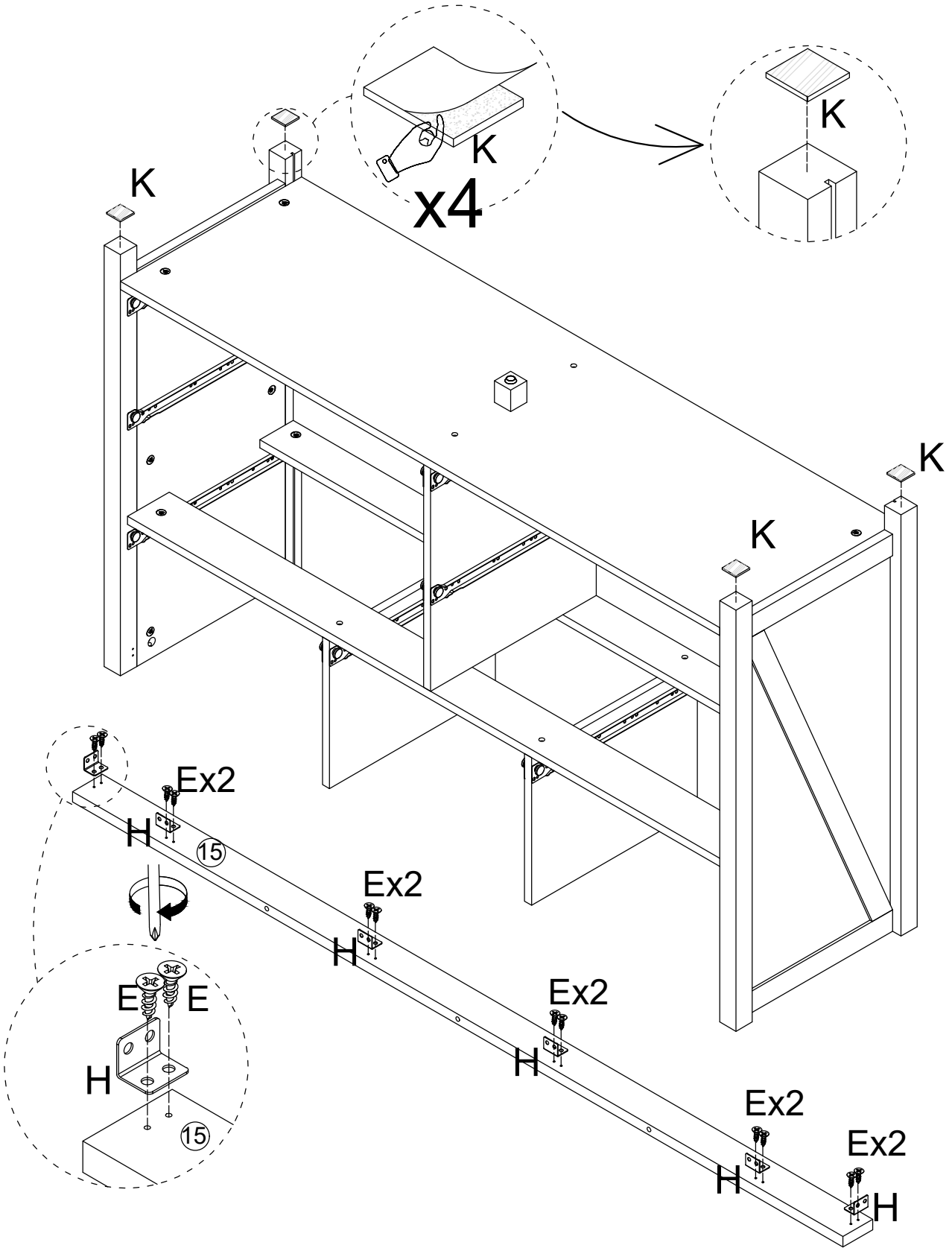
15 ✦ Use eccentric lockcollar B screws (4 pcs) to fix board ⑦⑬⑭⑰.






B	x4

16

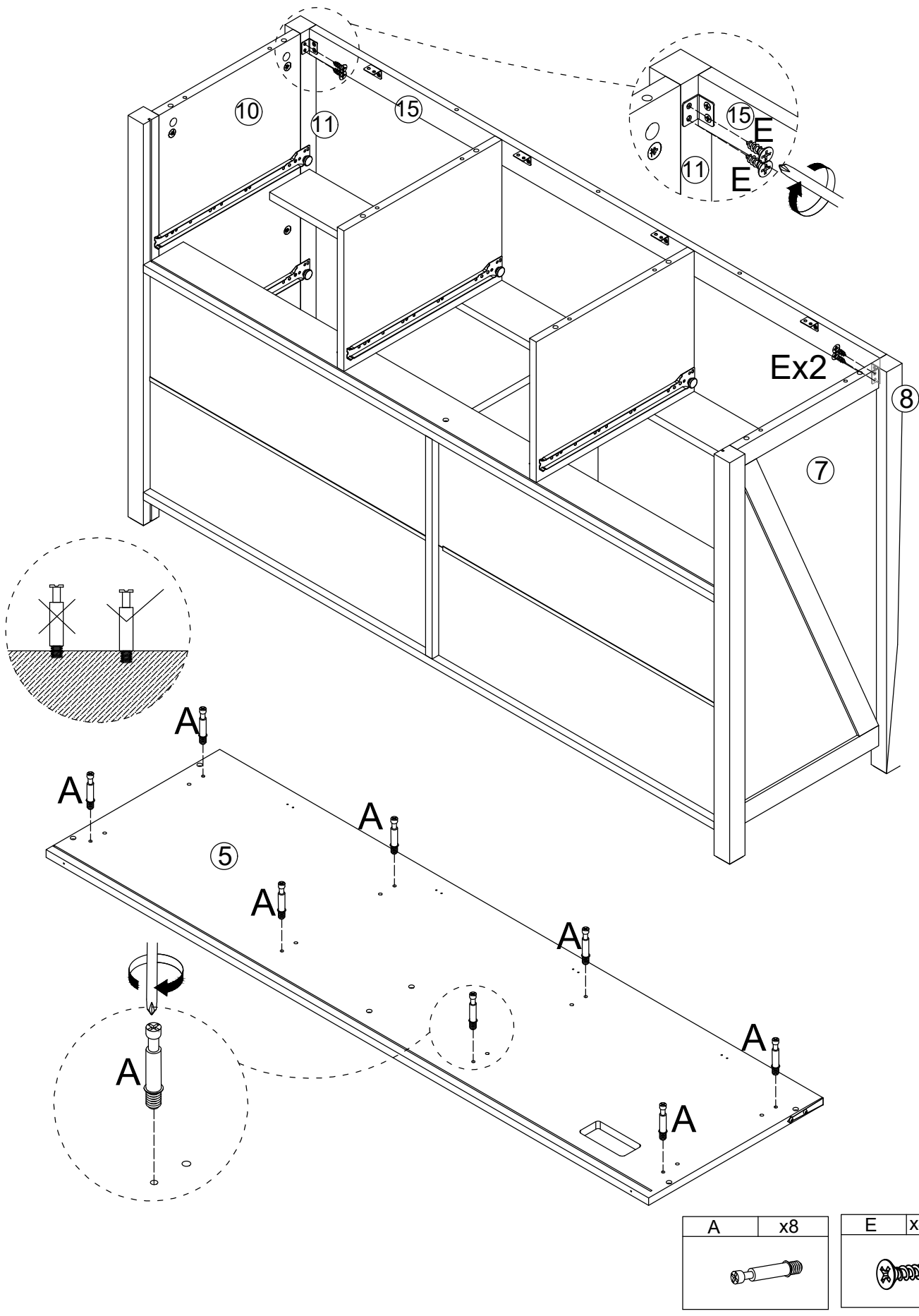
- ✧ Tear off the back glue of the pieces K (4 pcs) and stick pieces K to the bottom of four legs.
- ✧ Assemble metal parts H (6 pcs) on board ⑮ with E screws (12 pcs).
- ✧ Please pay attention to the position of the side metal parts H notch as prompted in the figure.



E	x12	H	x6	K	x4
					

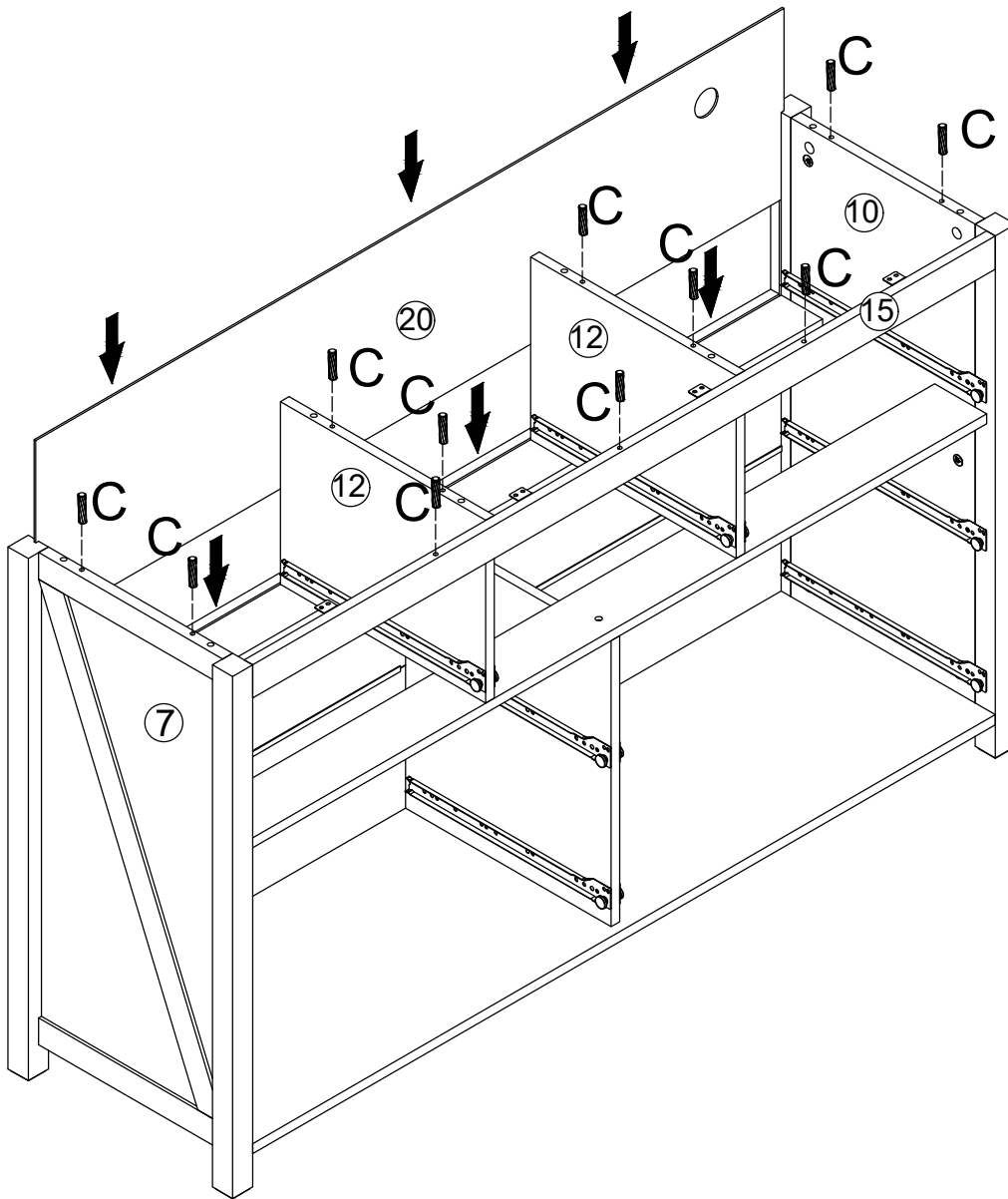
17

- ✧ Use E screws (4 pcs) to connect part ⑮ and board ⑧⑪.
- ✧ Screw the A screws (8 pcs) onto the board ⑤.



18

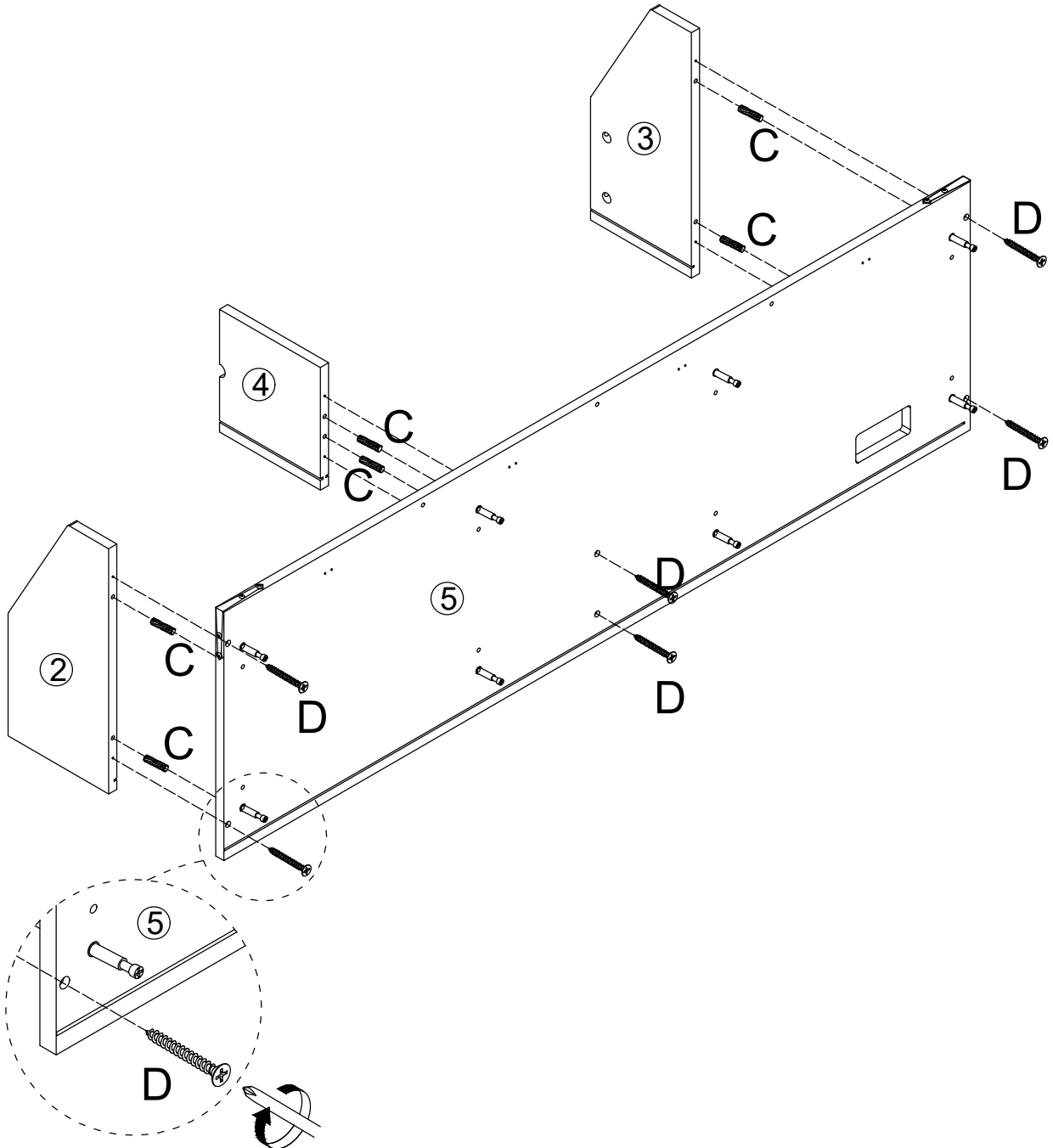
- ✧ Insert board ⑳ along the gap between board ⑥ and board ⑨.
- ✧ Insert the wooden cork C (11 pcs) into the holes of board ⑦⑩⑫⑮.



C	x11

19

- ✧ Insert the wooden cork C (6 pcs) into the holes of board ②③④.
- ✧ Contact board ②③④⑤ with the D screws (6 pcs) in turn.

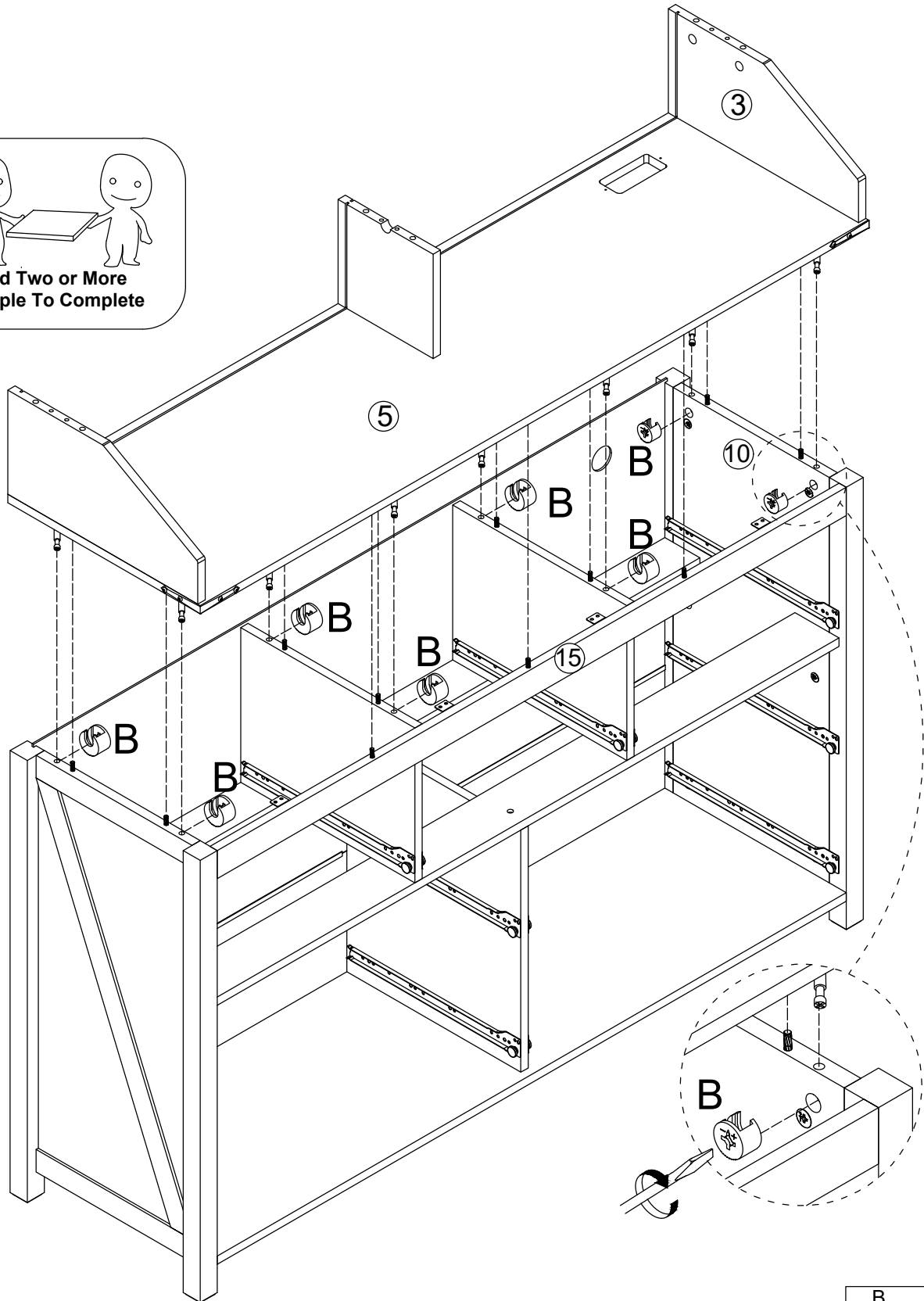
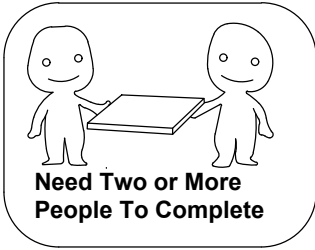
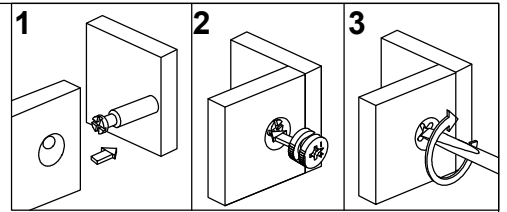


C	x6

D	x6

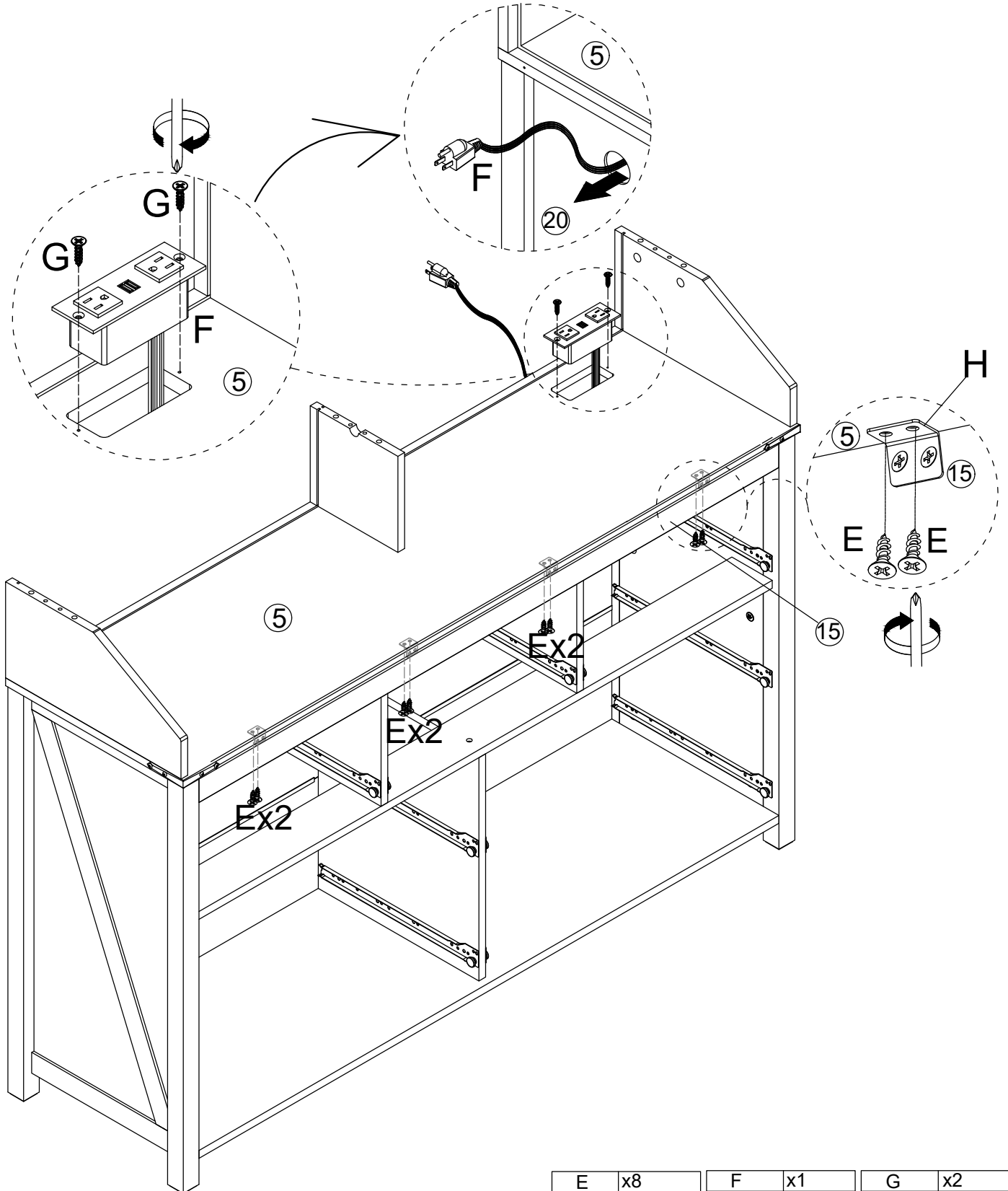
20


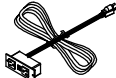

✦ Use eccentric lockcollar B screws (8 pcs) to secure the upper shelf part of the cabinet in accordance with the rectangular prompt above.



B	x8

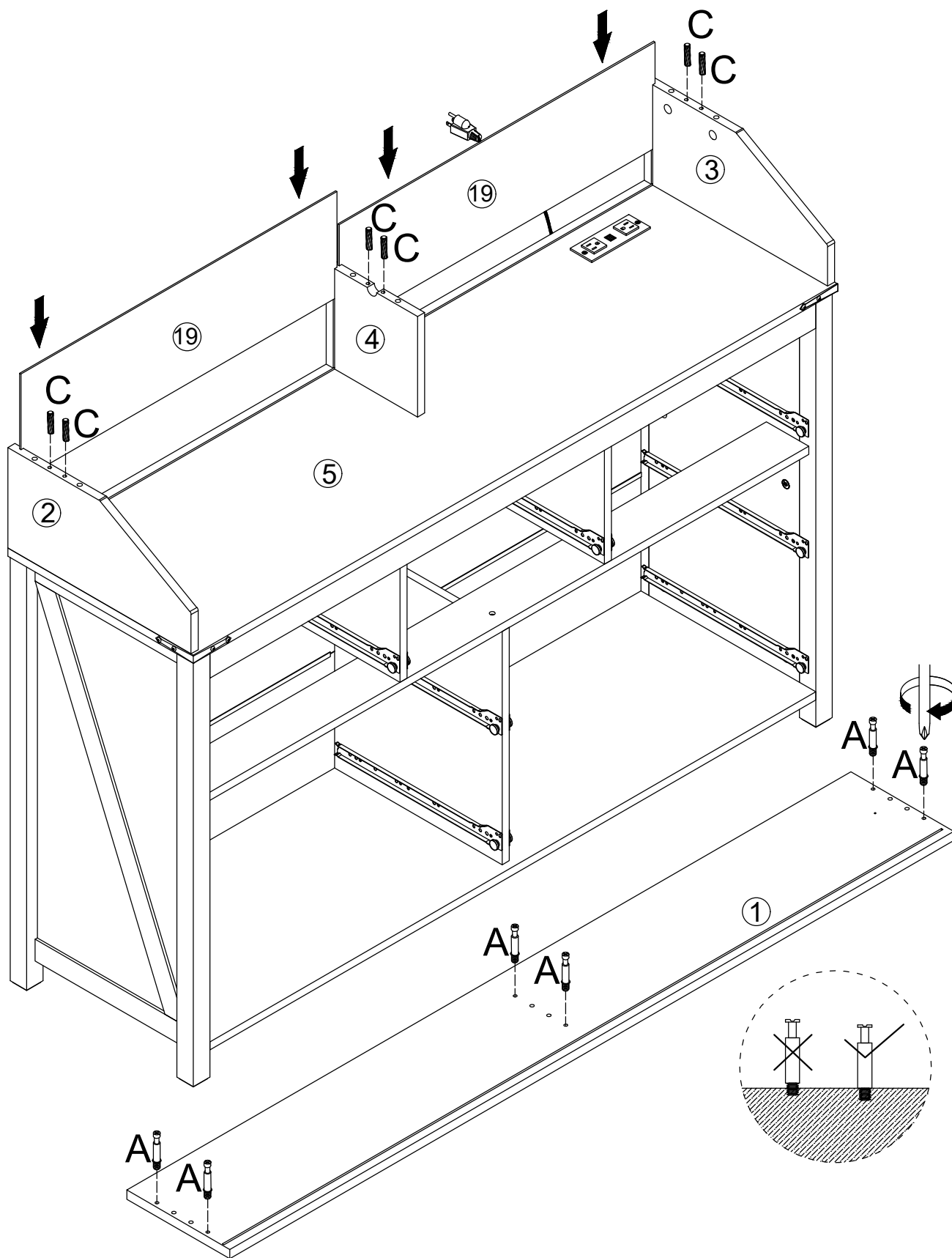
- 21 ✧ Assemble metal parts H on board ⑤ with E screws (8 pcs) to secure it.
 ✧ Assemble the socket F on the top of the board ⑤ with the G screws (2 pcs).
 ✧ Pull the power cord of the socket F out the back of the board ⑳.





E	x8	F	x1	G	x2
					

22

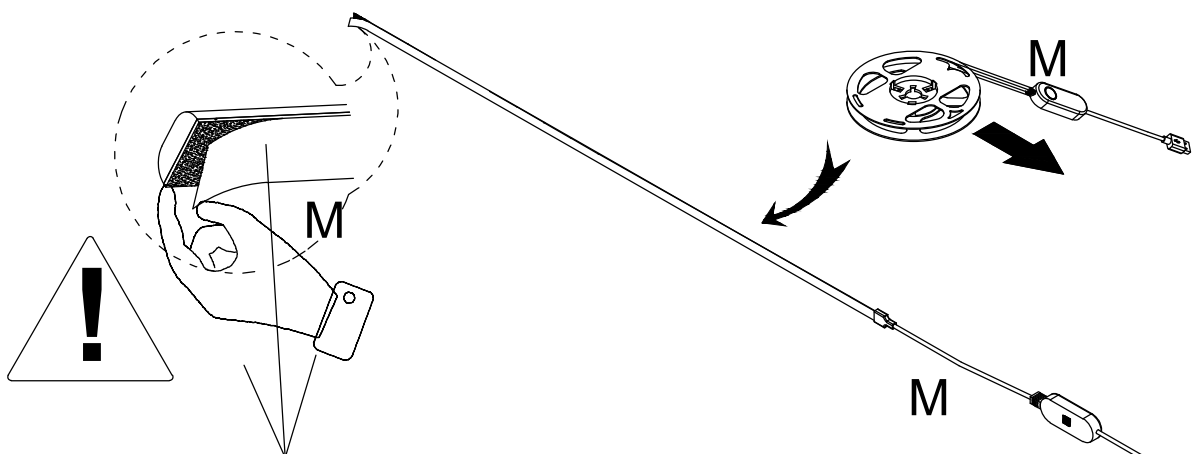
- ✧ Insert board ⑱ along the gap between board ②③④ in turn.
- ✧ Insert the wooden cork C (6 pcs) into the holes of board ②③④.
- ✧ Screw the A screws (6 pcs) onto the board ①.



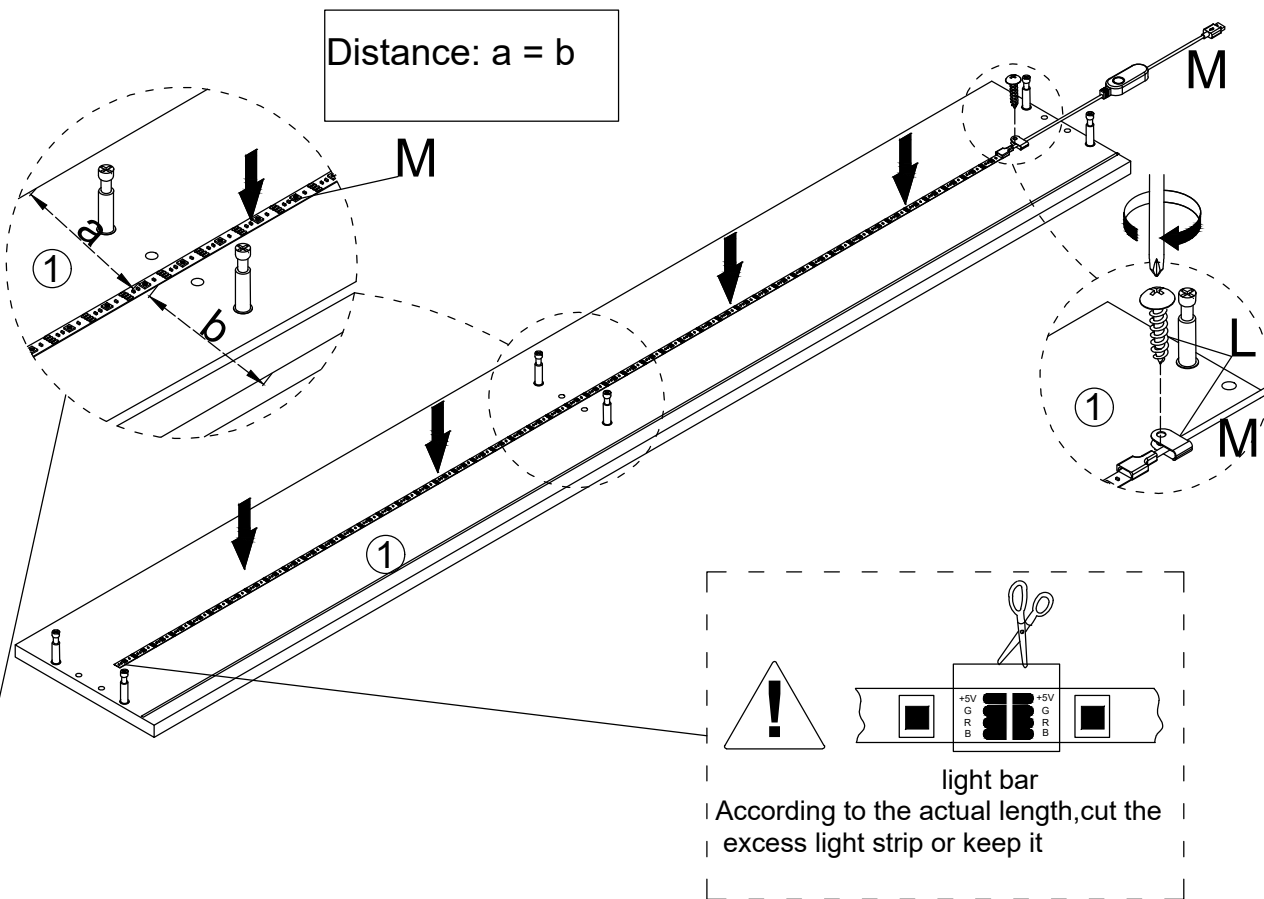
A	x6	C	x6
			

23

✧ Use metal part L-1 to attach the light strip M on the board ① and secure it with L-2 screws.



Tear off the adhesive on the back of the light strip



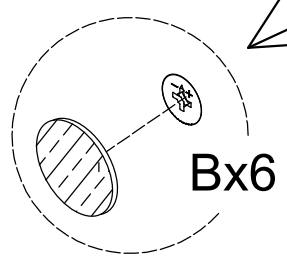
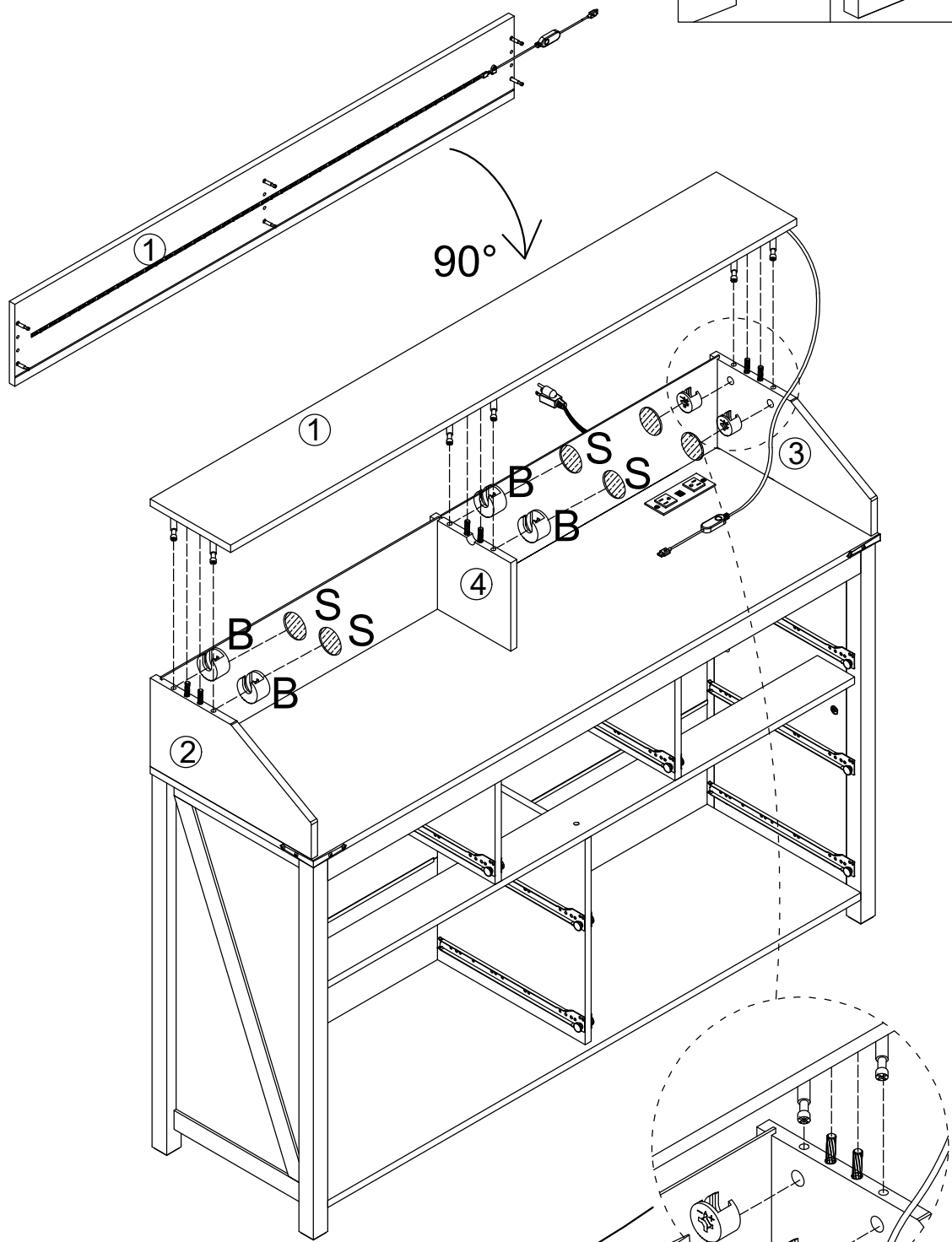
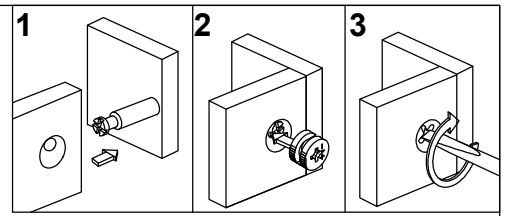
Attention: When pasting the light strip, the light strip should be in the position of pasting on board 1, and the light strip should be in a straight line.





L	x1	M	x1
L-1	L-2		

24

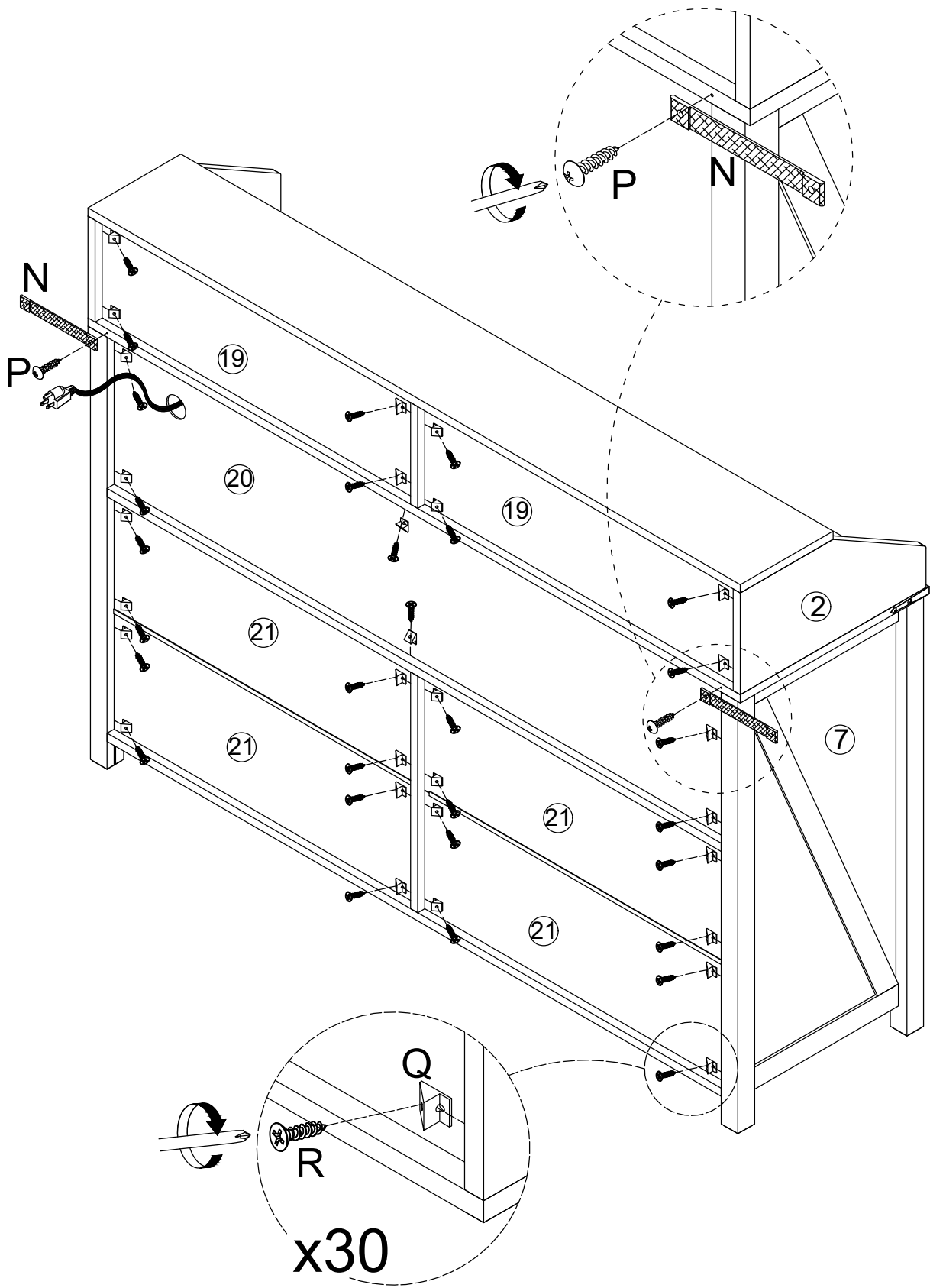
- ✧ Use eccentric lockcollar B screws (6 pcs) to fix board ① on board ②③④.
- ✧ Attach screw hole stickers S (6 pcs) around to shield all B screws.


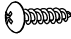
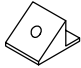



B	x6	S	x6
			

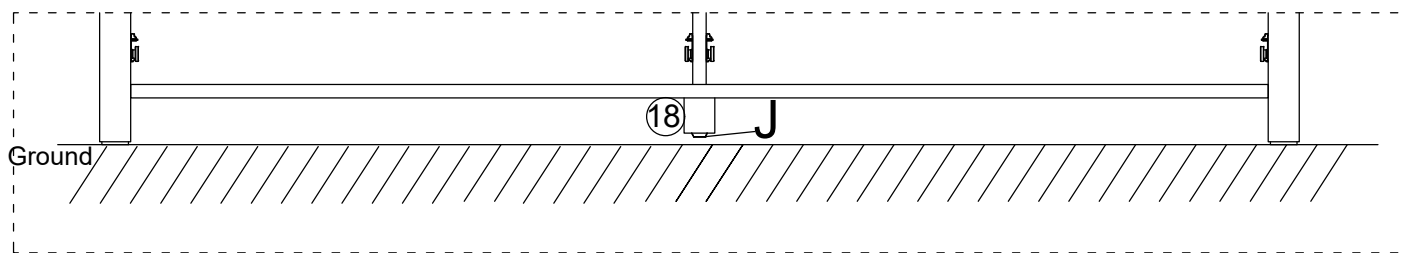
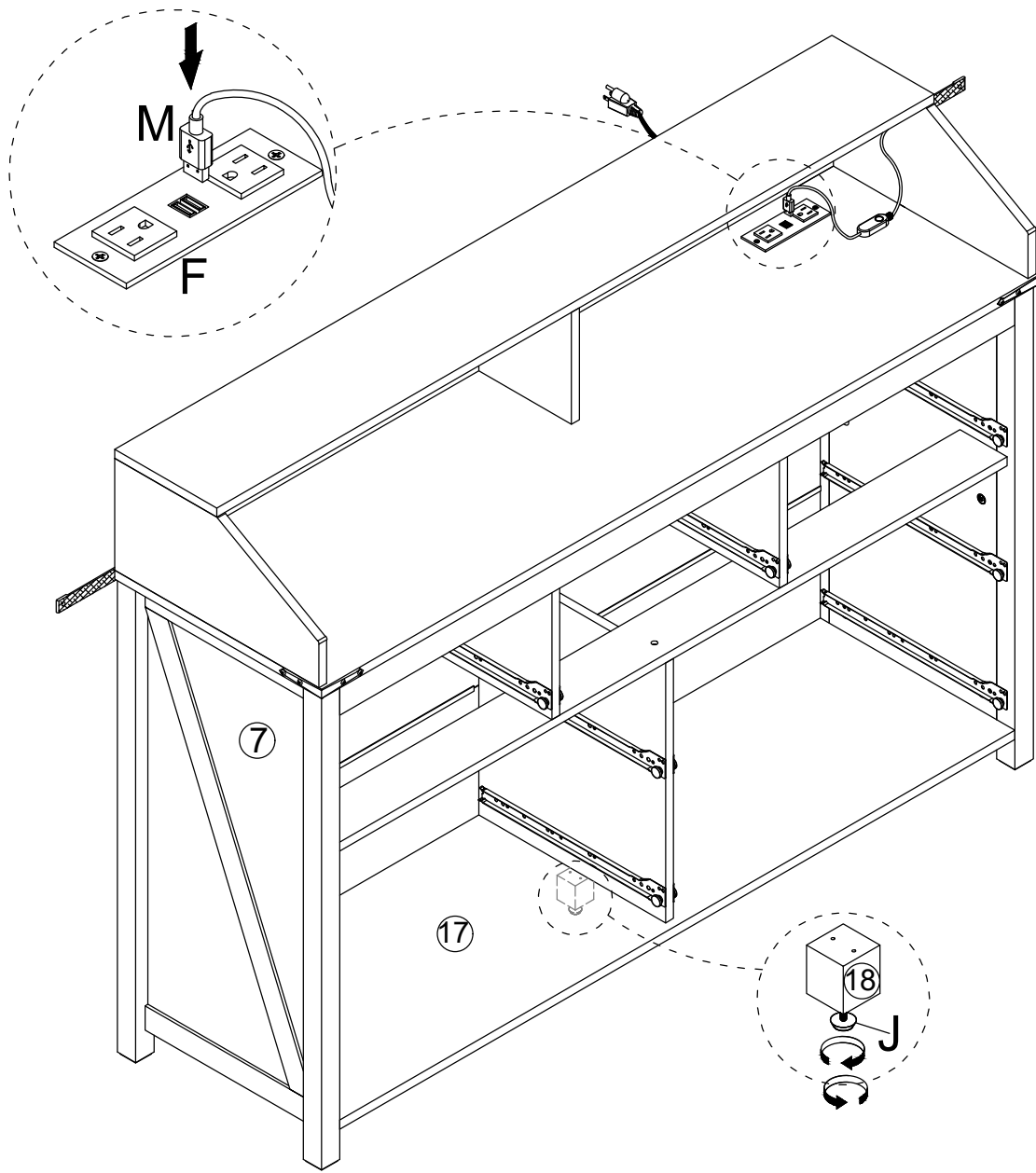
25

- ✧ Attach part N to the sides of the cabinet with P screws (2 pcs).
- ✧ Assemble metal part Q (30 pcs) to the four corners of all back board of the cabinet with R screws (30 pcs).



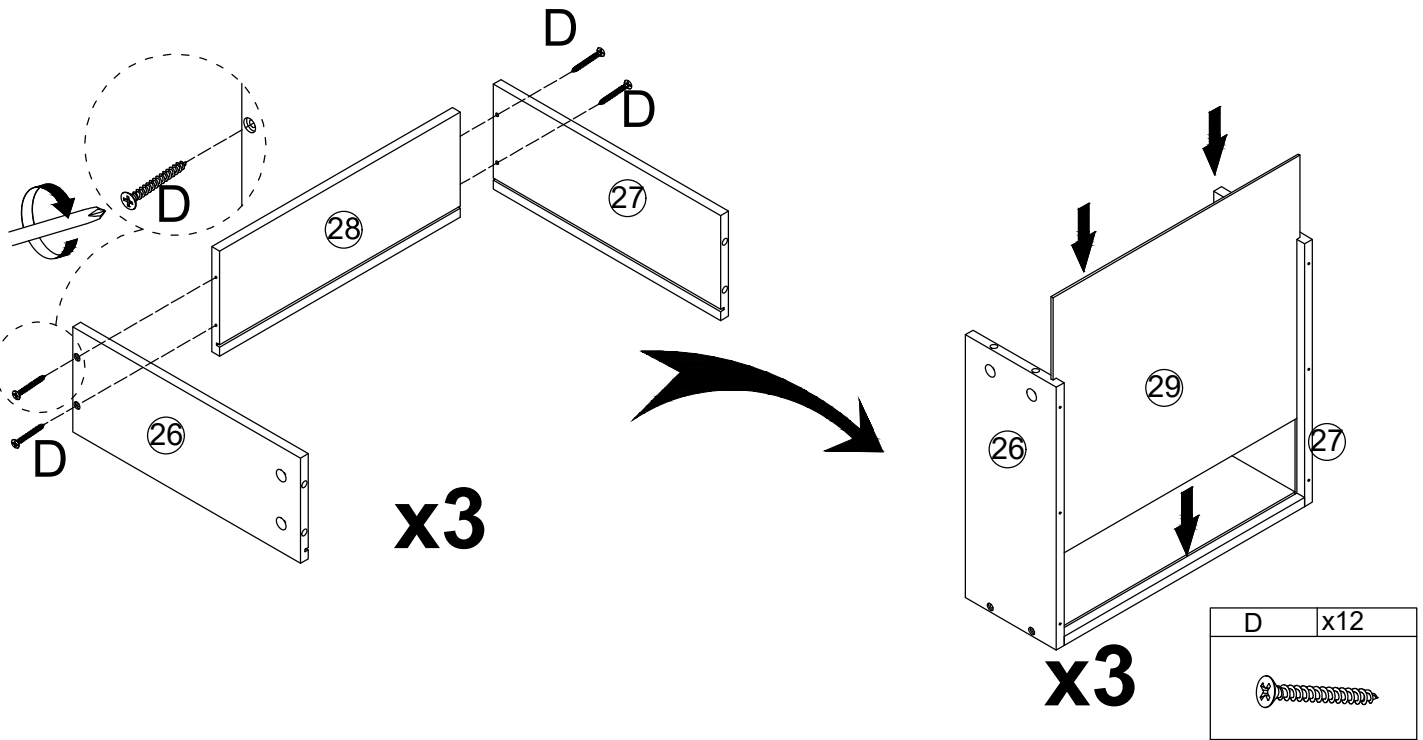
N	x2	P	x2	Q	x30	R	x30
							

26 ✧ Plug the power cord of the light strip into the USB port of the socket, and you can use the light strip after the power is turned on.

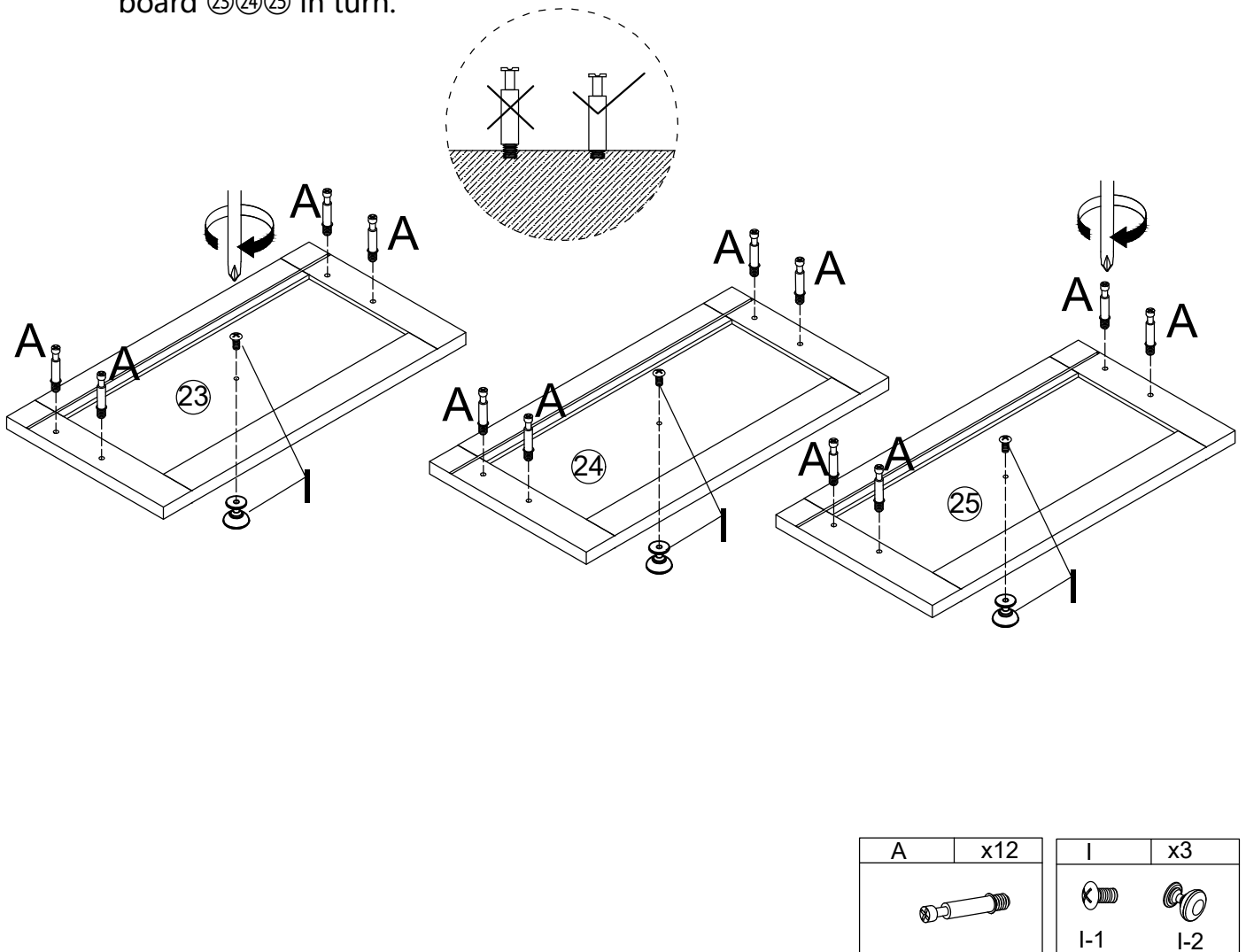


If the cabinet is unstable with the ground, please rotate the 18 # foot fitting (J)

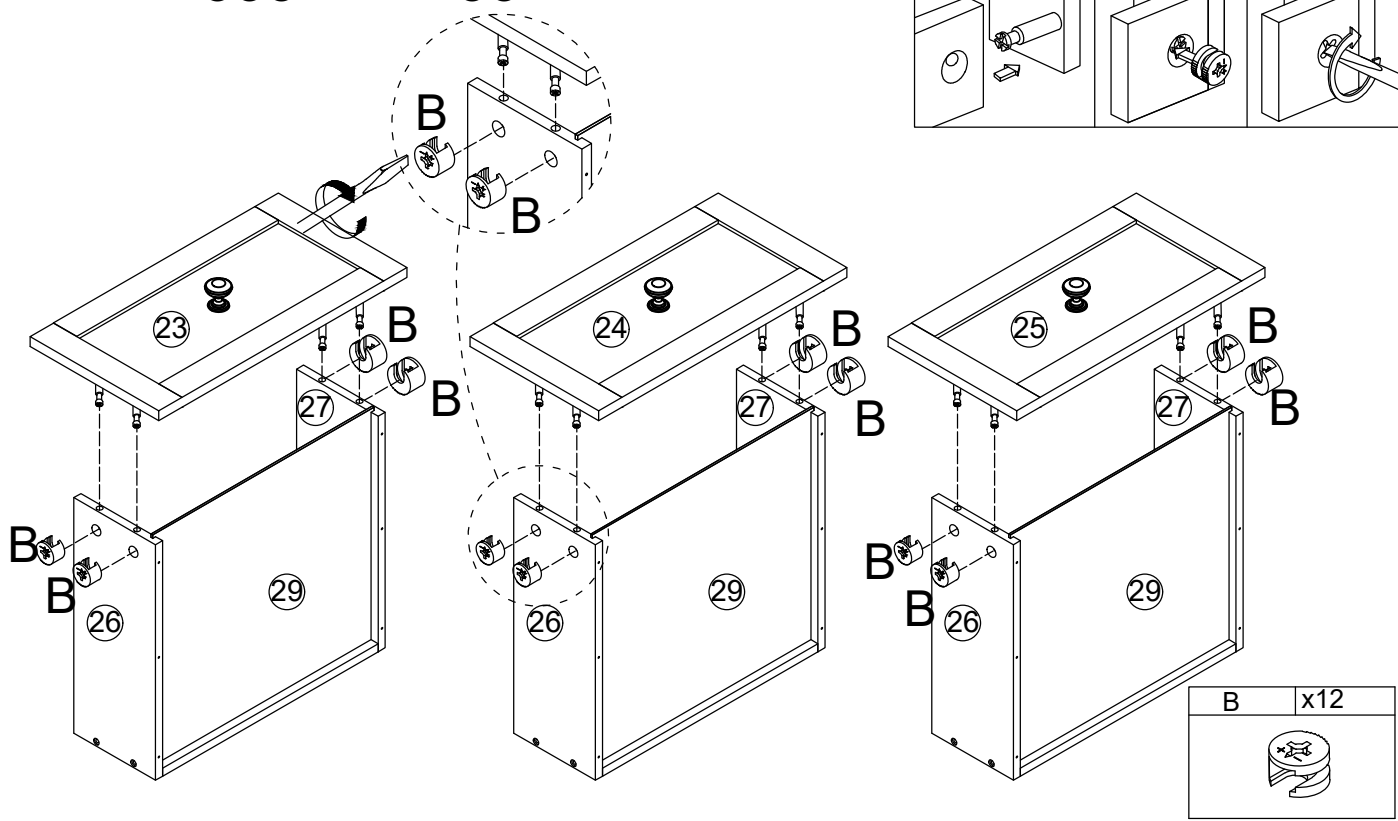
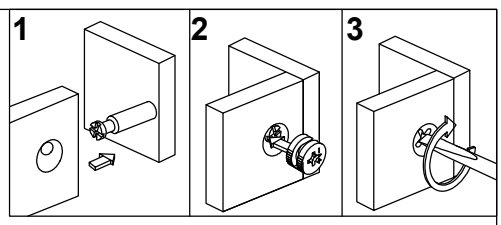
- 27** ✦ Contact the board ②⑥⑦ and the board ②⑧ with the D screws (4 pcs).
 ✦ Insert board ②⑨ along the gap between board ②⑥ and board ②⑦.
 ✦ Both drawers can be assembled as described above.



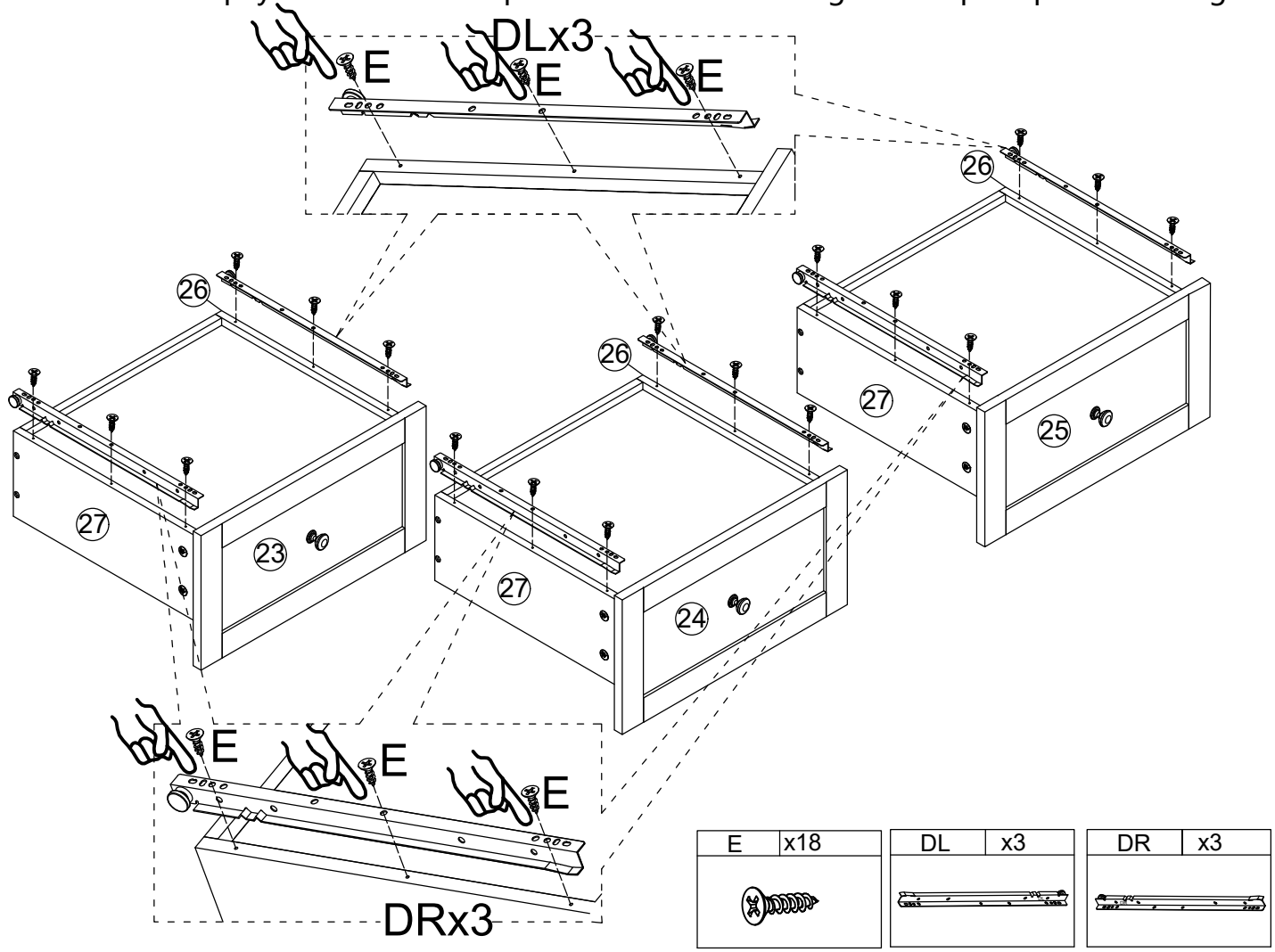
- 28** ✦ Screw the A screws (4 pcs) and drawer handles I (1 pcs) onto the board ②③④⑤ in turn.



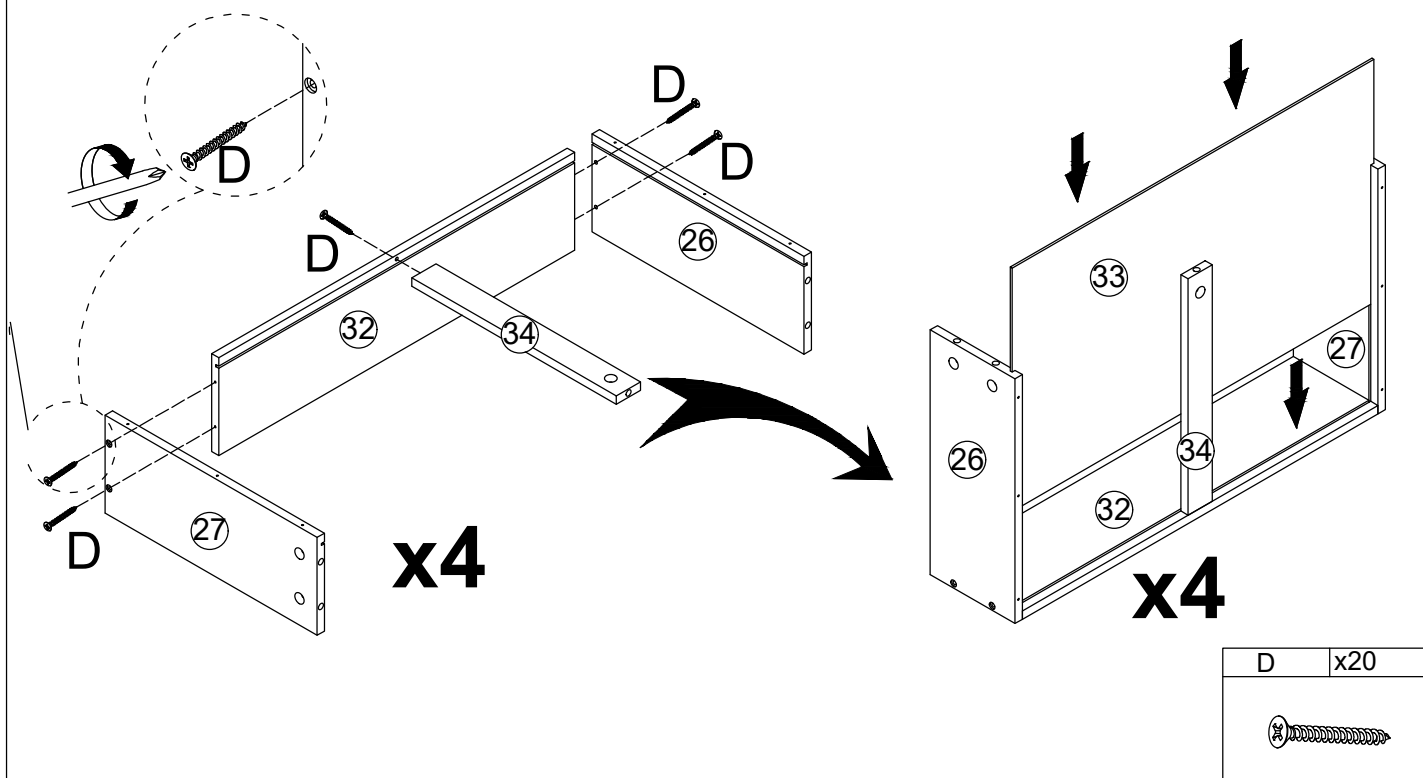
29 ✦ Use eccentric lockcollar B screws (4 pcs) to fix board 23 24 25 on board 26 27 in turn.



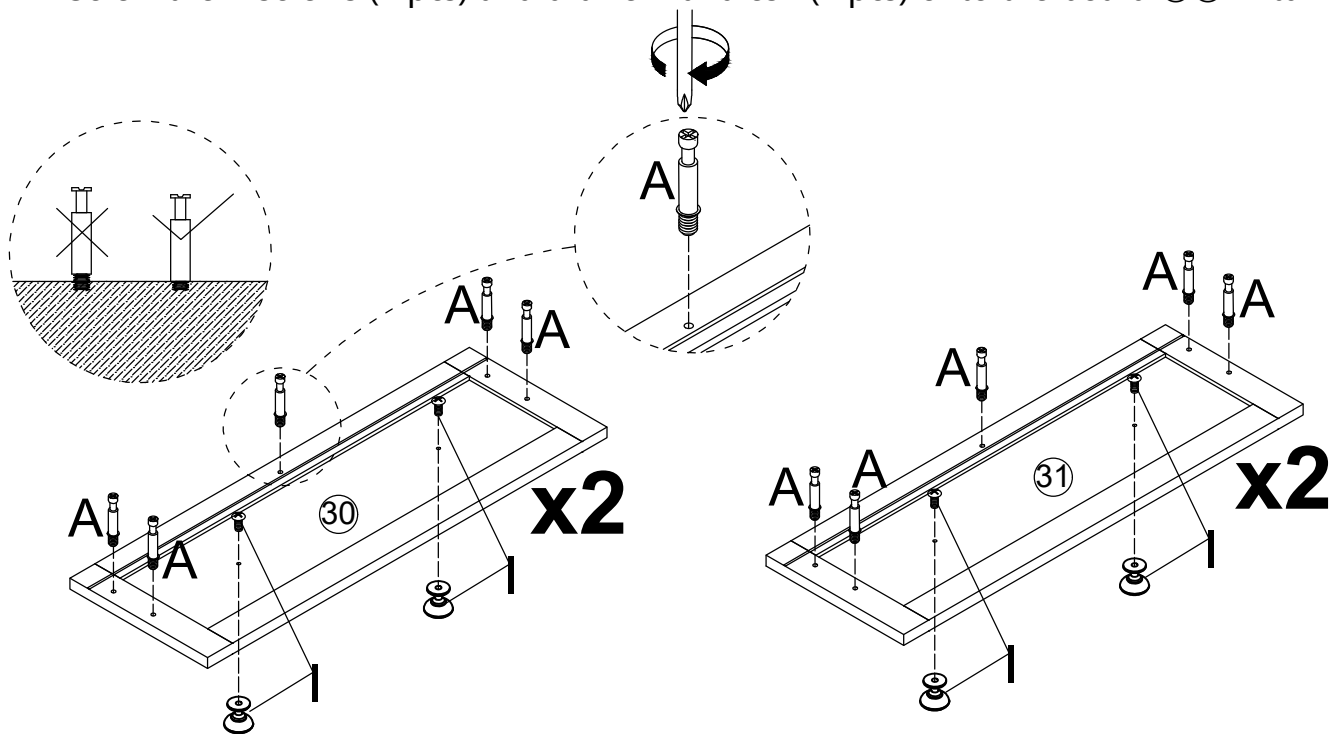
30 ✦ Assemble part DL on board 26 with E screws (3 pcs) in turn.
 ✦ Assemble part DR on board 27 with E screws (3 pcs) in turn.
 ✦ Please pay attention to the position of the mounting hole as prompted in the figure.



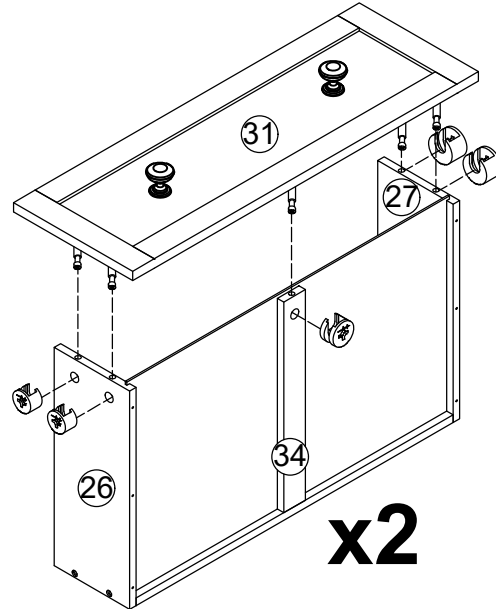
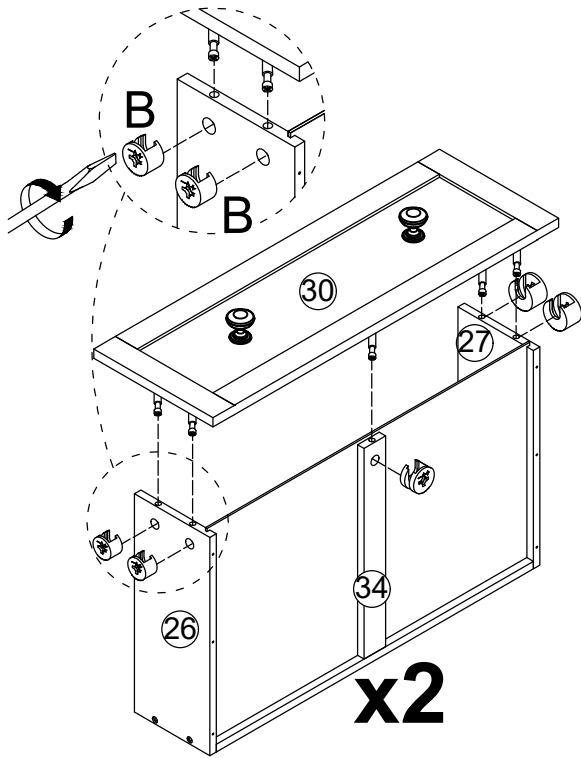
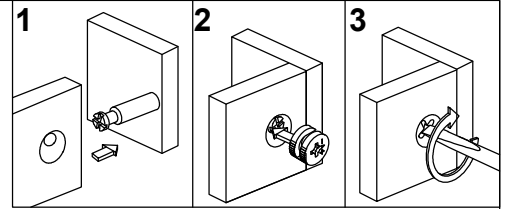
- 31** ✧ Contact the board ②⑥⑦③④ and the board ③② with the D screws (5 pcs).
 ✧ Insert board ③③ along the gap between board ②⑥ and board ②⑦.
 ✧ Both drawers can be assembled as described above.



- 32** ✧ Screw the A screws (4 pcs) and drawer handles I (1 pcs) onto the board ③① in turn.

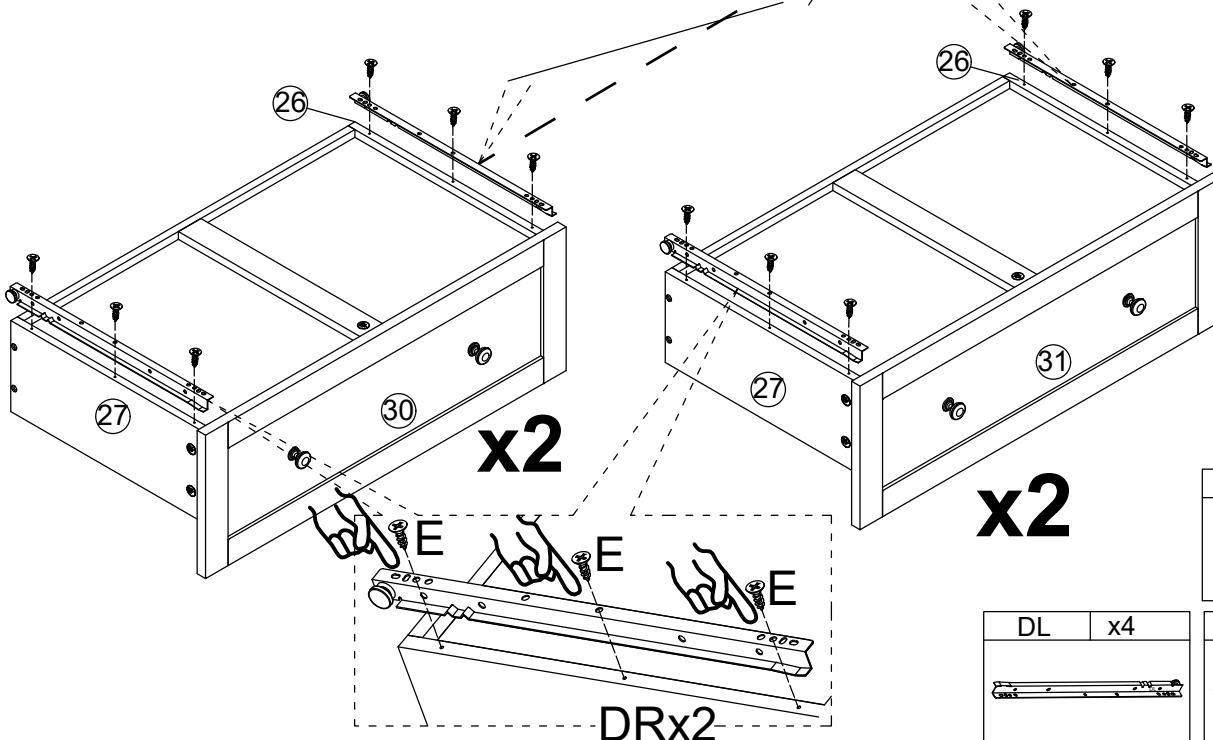
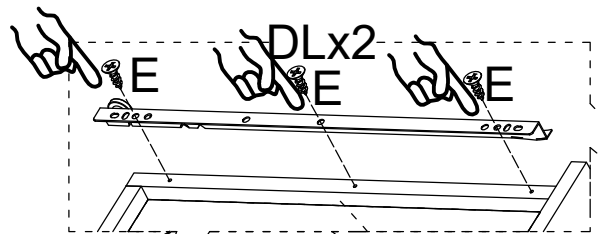


33 ✦ Use eccentric lockcollar B screws (4 pcs) to secure board ③① to board ②⑥⑦ in turn.



B	x20

34 ✦ Assemble part DL on board ②⑥ with E screws (3 pcs) in turn.
 ✦ Assemble part DR on board ②⑦ with E screws (3 pcs) in turn.
 ✦ Both drawers can be assembled as described above.
 ✦ Please pay attention to the position of the mounting holes as prompted in the figure.



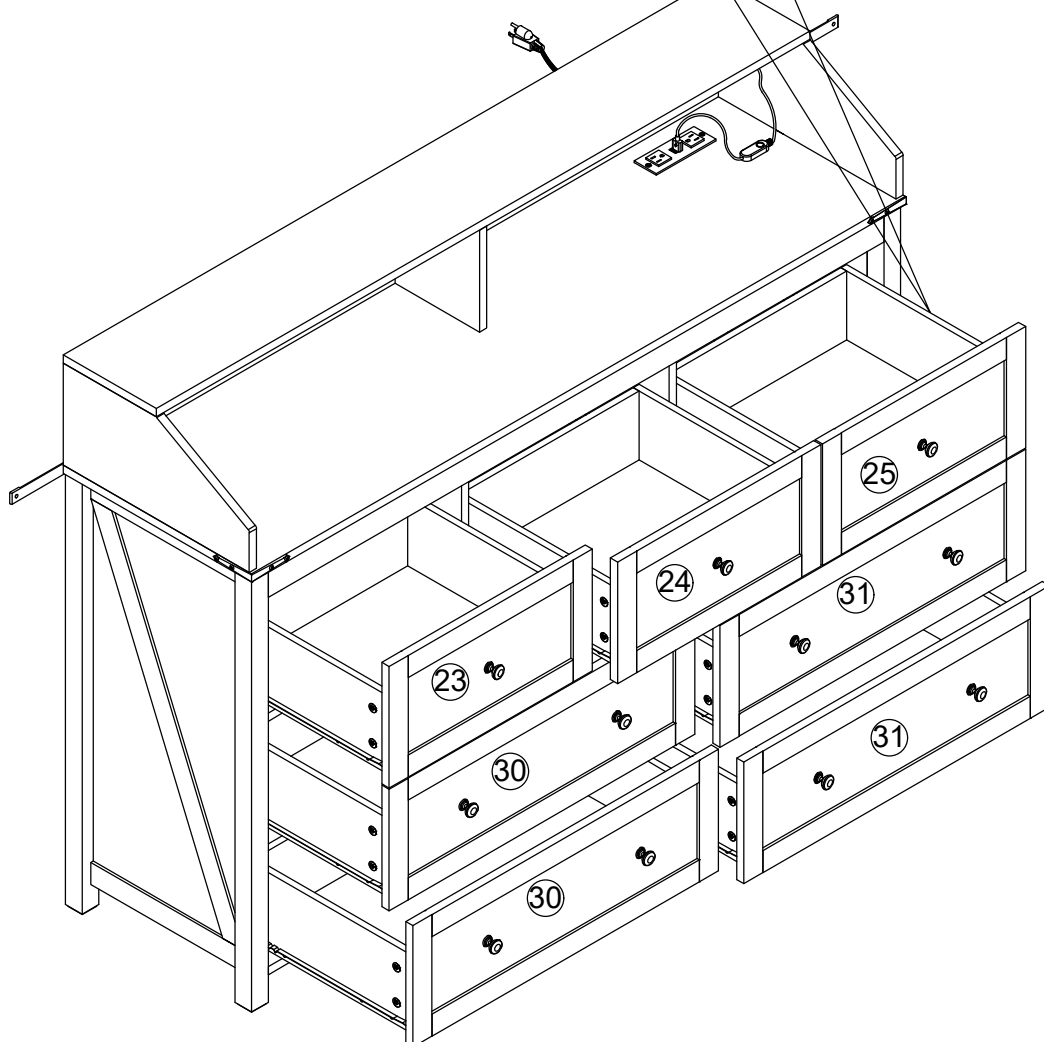
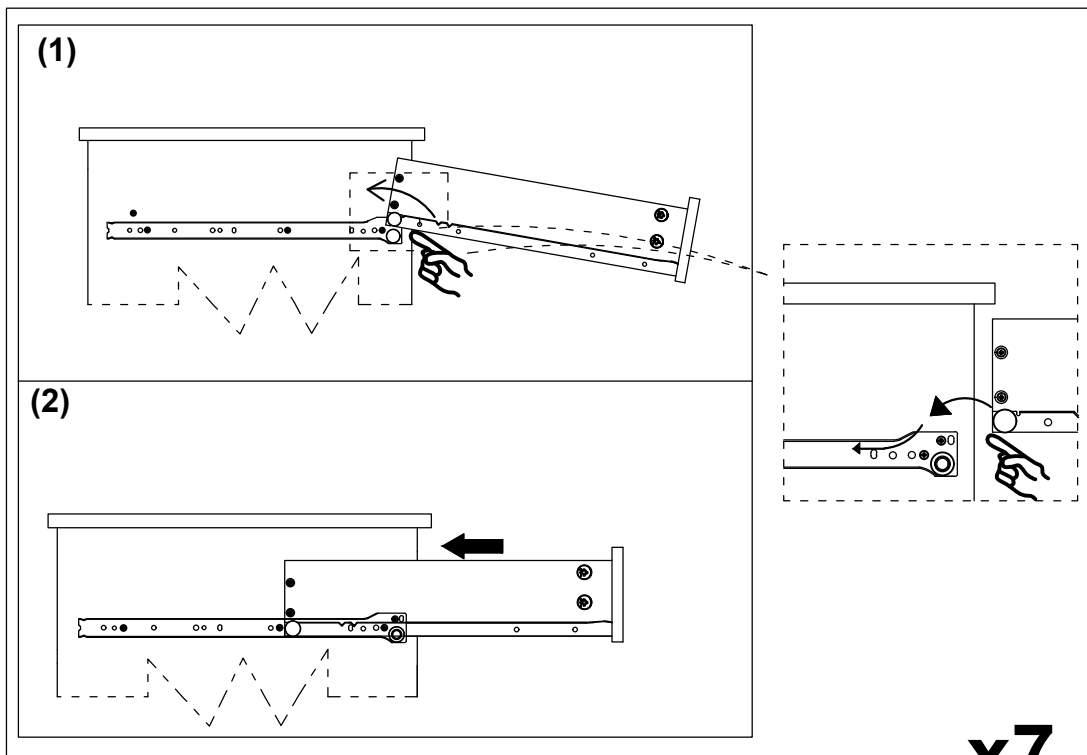
E	x24

DL	x4

DR	x4

35

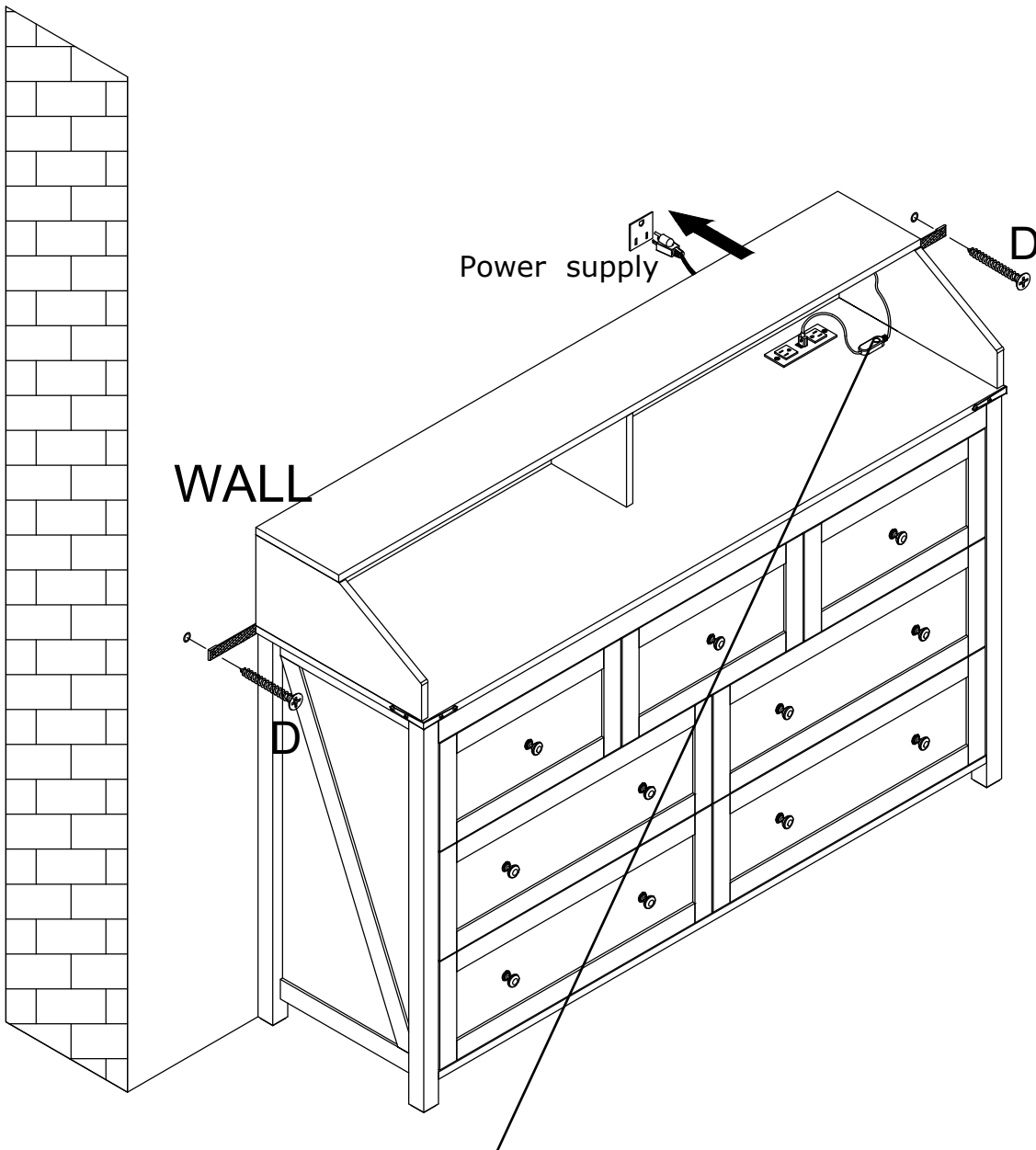
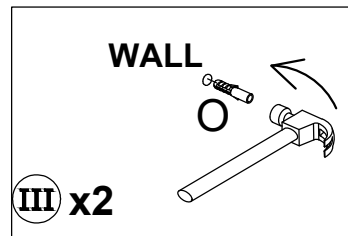
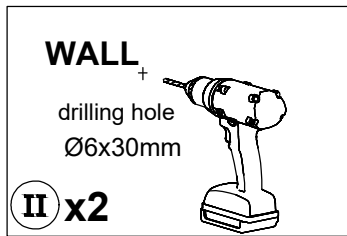
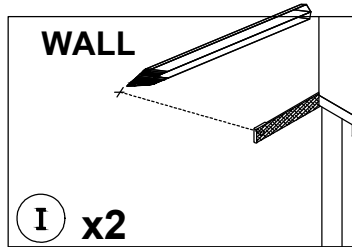
✧ Please note the part numbers of the drawer door panels(#23, #24, #25, #30, #31) and load the correctly numbered drawers in turn according to the method shown.



The following content is optional for installation based on your own needs.

To securely mount the cabinet on the wall, follow these steps:

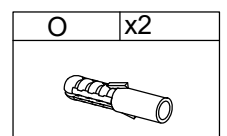
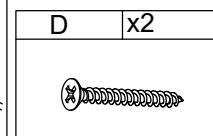
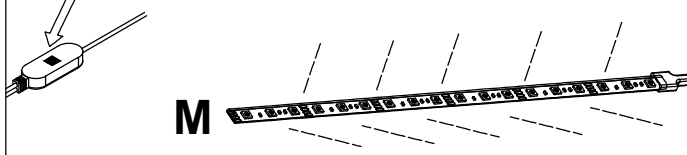
- ✧ Begin by using a chainsaw to create pilot holes in the wall for the O screws.
- ✧ Insert the O screws into these pilot holes, ensuring they are securely fastened.
- ✧ Next, using the D screws to attach the part N of the cabinet to the wall.
- ✧ Make sure the part N is firmly attached and aligned properly.



Scan QR code to download APP controller

OR

Flip to the other side to find the control button



Thank You!

For Your Purchase

Dear Customer,

Thank you for your order! We would like to send you a nice present, such as a beautiful **salt lamp**?

Each customer enjoys a **one-year warranty**. Once the warranty is activated, we promise to provide you with a risk-free experience. Welcome to contact us to register and activate it~

Please contact us for **part replacement** or **return**. We provide 24 hours online service, please feel free to contact us if you have any questions, and all consultation services are open~

Have a wonderful day!

Contact us to unlook benefits

- ✓ Activating the One-year Warranty
- ✓ Viewing the Installation Video
- ✓ Getting a \$5-\$15 Gift Card / Salt Lamp
- ✓ Joining the New Product Trial Program

Please kindly contact us in time if you need customer service.

 service_April@163.com

Thanks again for your purchasing!