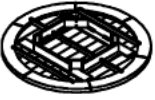
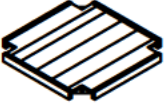







ASSEMBLY INSTRUCTIONS

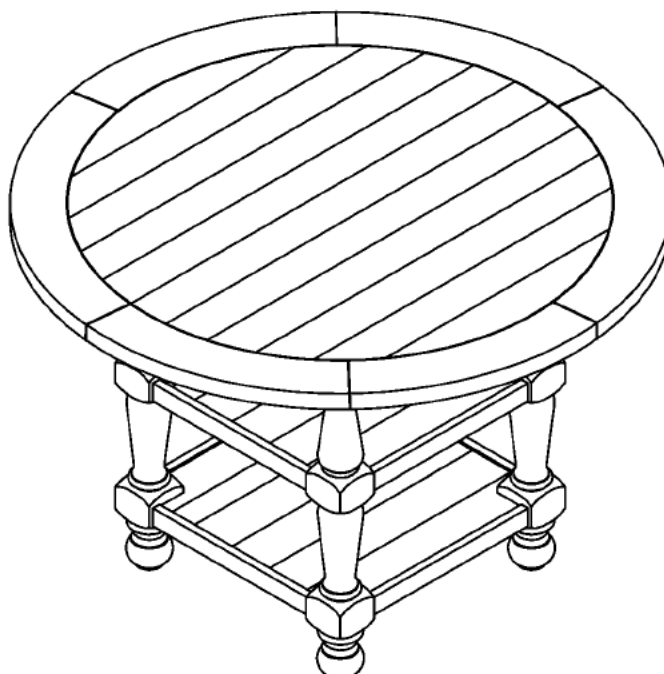
Thank you for purchasing this quality product. Be sure to check all packing material carefully for small parts, which may have come loose inside the carton during shipment. Identify and count all parts and compare with the **HARDWARE LIST** below.

HARDWARE / PARTS LOCATION

D00511GT > Step 1,2, and 3,hardware 1 Pc >Inside red pack with red tape > Place inside corner of carton.

NO.	PARTS LIST		Q'TY
A	Table Top		1 Pc
B	Shelves		2 Pcs
C	Legs		4 Pcs

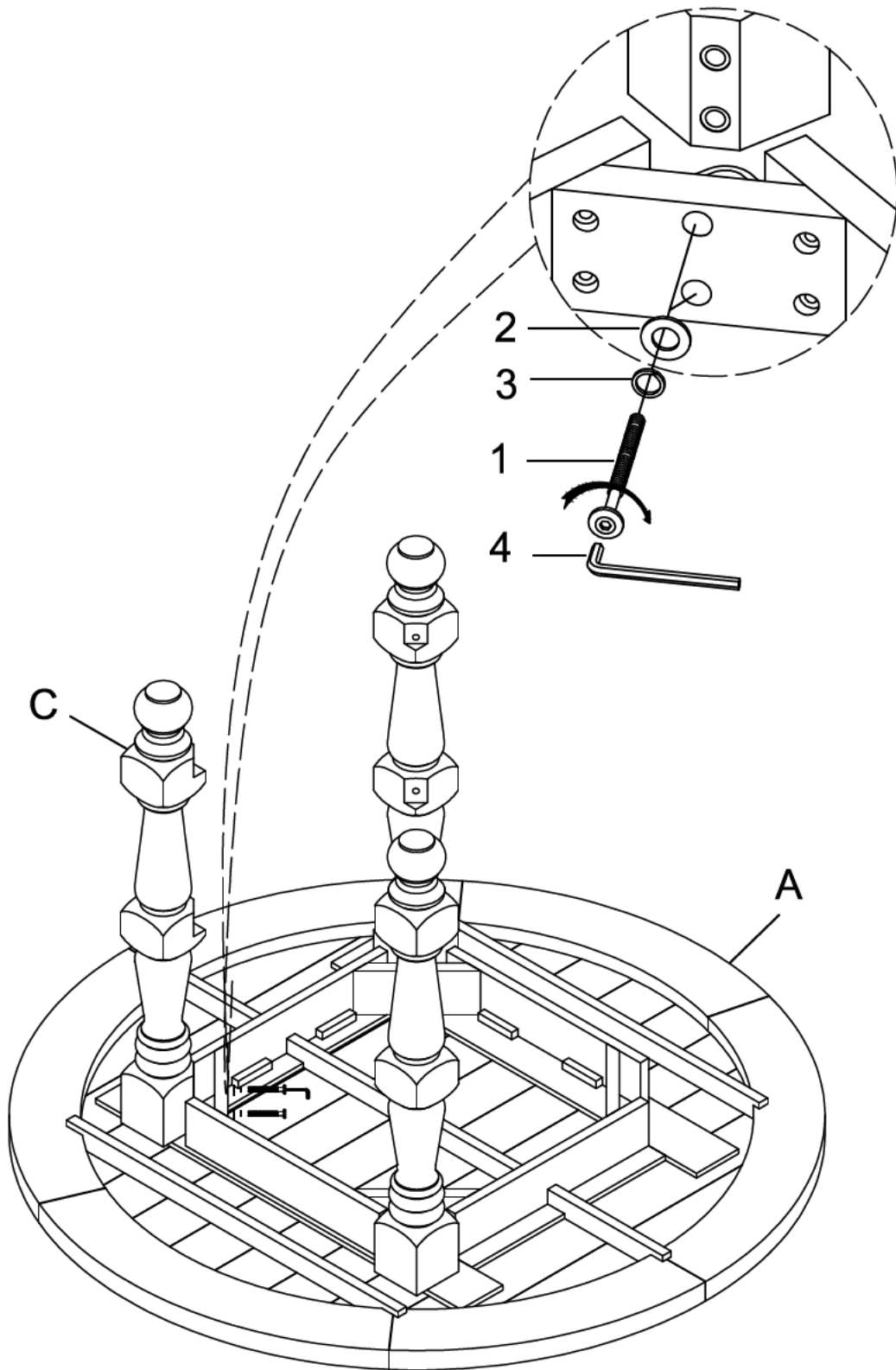
NO.	HARDWARE LIST		Q'TY
1		Bolt (5/16"x80 mm)	16 Pcs
2		Flat Washer (5/16" x 19x2 mm)	16 Pcs
3		Spring Washer (5/16" x 11x2 mm)	16 Pcs
4		Allen Key (4mm)	1Pc



Note: Please **DO NOT** fully tighten all screws and bolts until the entire item is completely assembled

ASSEMBLY INSTRUCTIONS

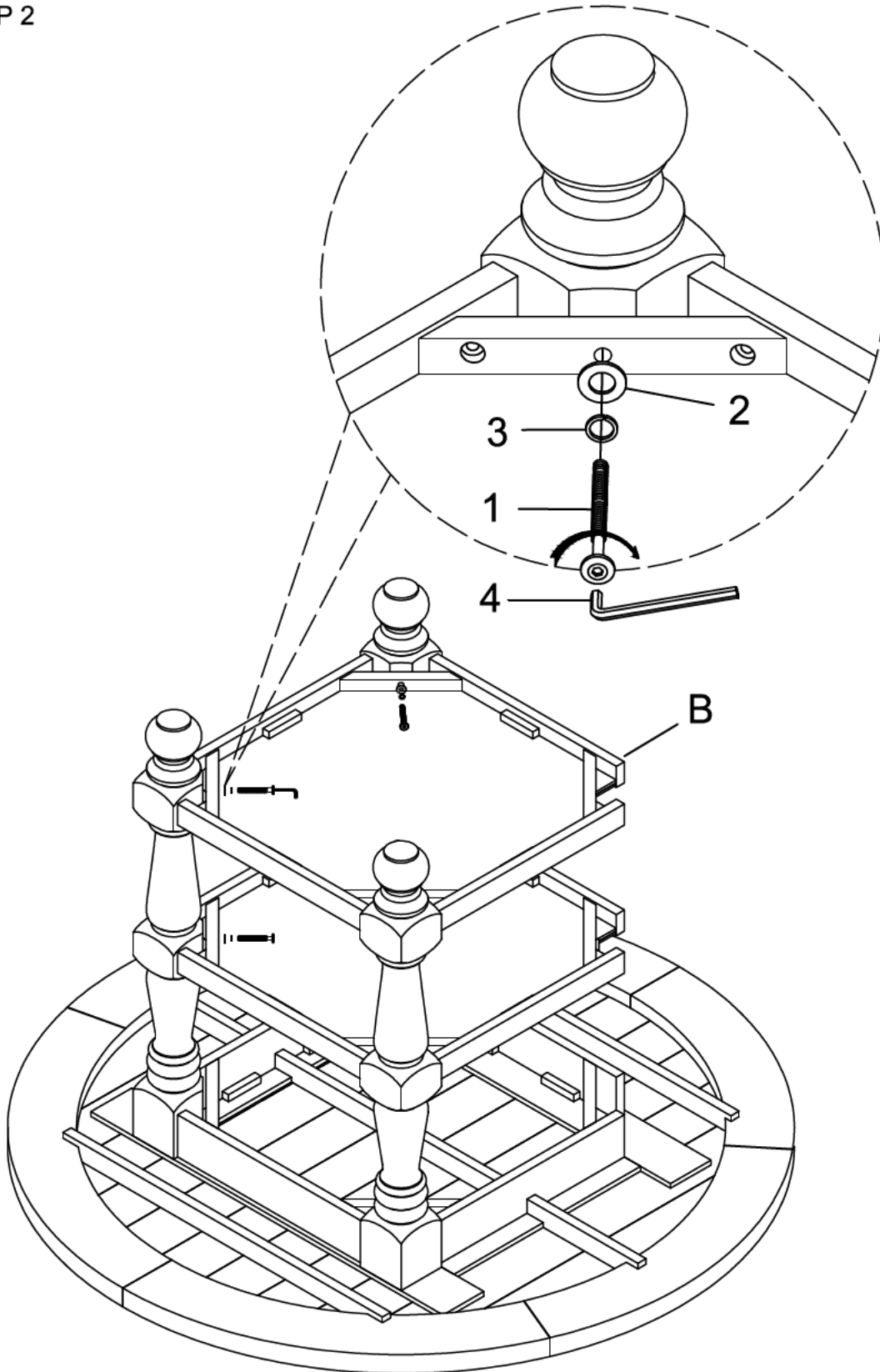
STEP 1



Note: Please DO NOT fully tighten all screws and bolts until the entire item is completely assembled

ASSEMBLY INSTRUCTIONS

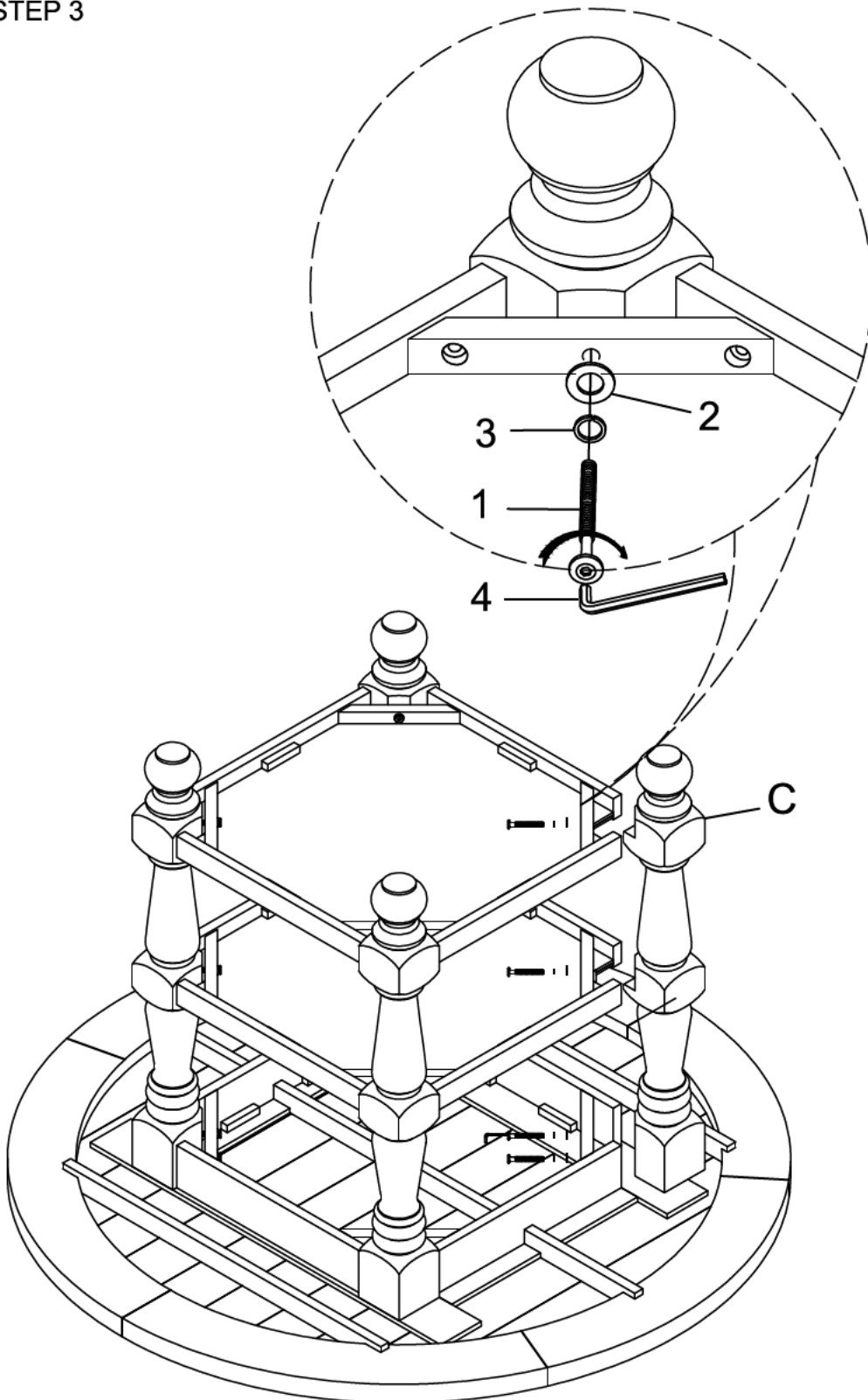
STEP 2



Note: Please DO NOT fully tighten all screws and bolts until the entire item is completely assembled

ASSEMBLY INSTRUCTIONS

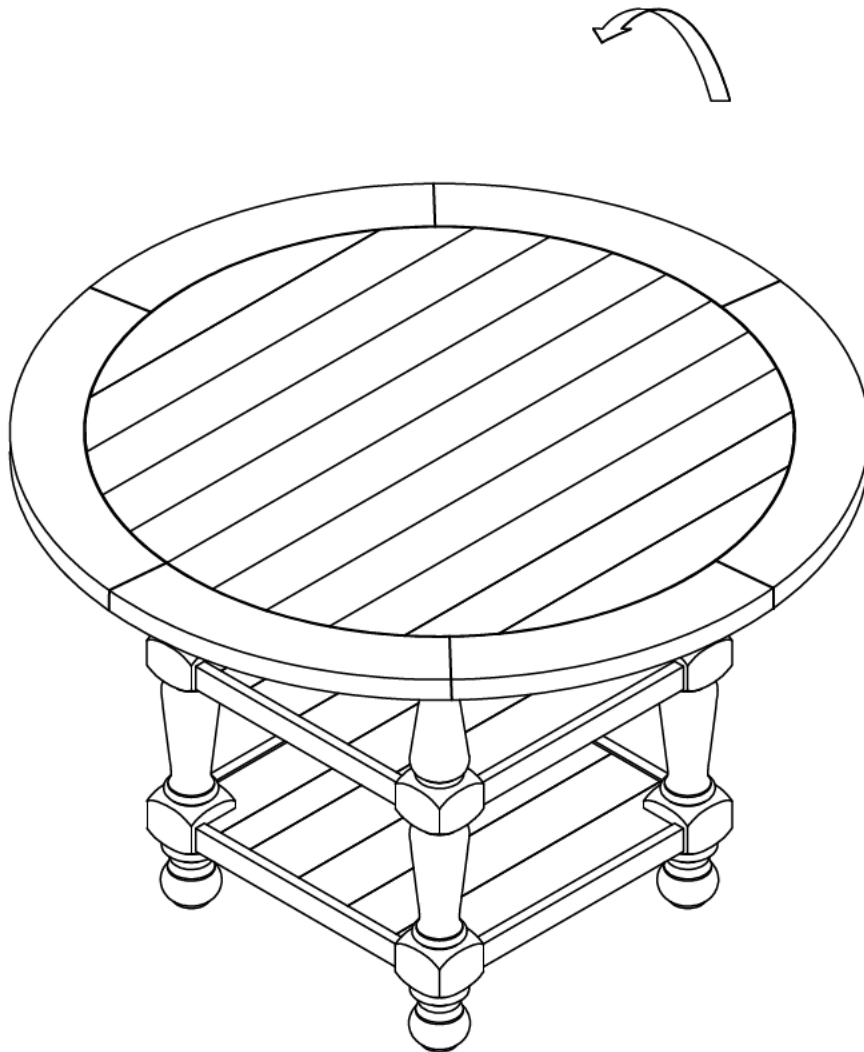
STEP 3



Note: Please DO NOT fully tighten all screws and bolts until the entire item is completely assembled

ASSEMBLY INSTRUCTIONS

STEP 4



Note: Please DO NOT fully tighten all screws and bolts until the entire item is completely assembled