

# INSTRUCTION MANUAL

Model: Y2301-5




## Attention :

If you encounter any problems during installation or use, pls feel free to contact us on shopping platform. We will provide you with a satisfactory solution within 24 hours.

# Dining chair

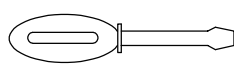
 1 - ITEMS DELIVERED-TECHNICAL DATA


 2 - ASSEMBLY

 3 - CLEANING AND MAINTENANCE

 1 - ITEMS DELIVERED-TECHNICAL DATA

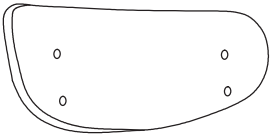


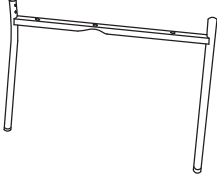

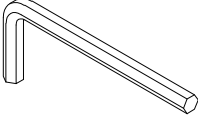
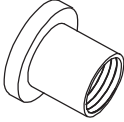
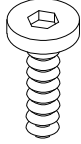
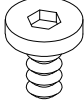
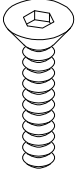
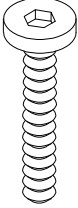
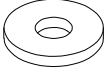
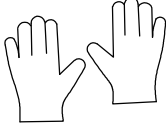


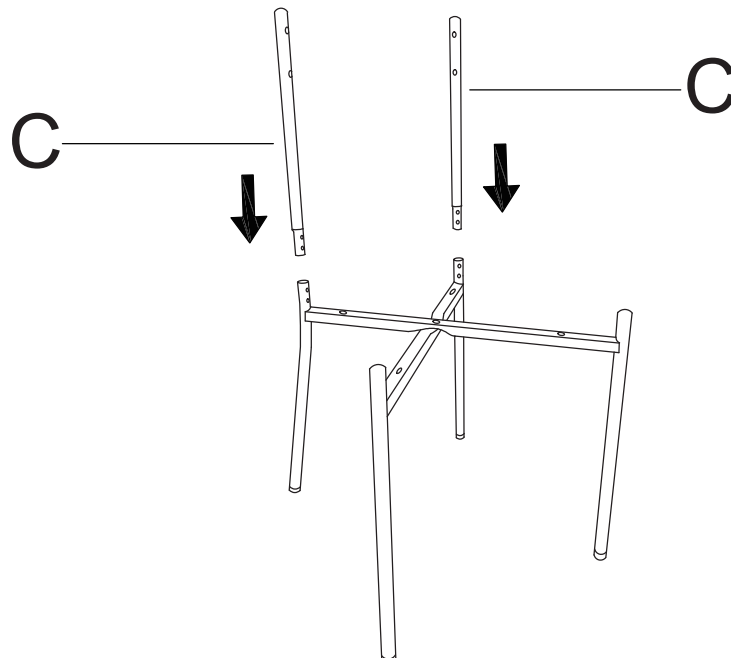
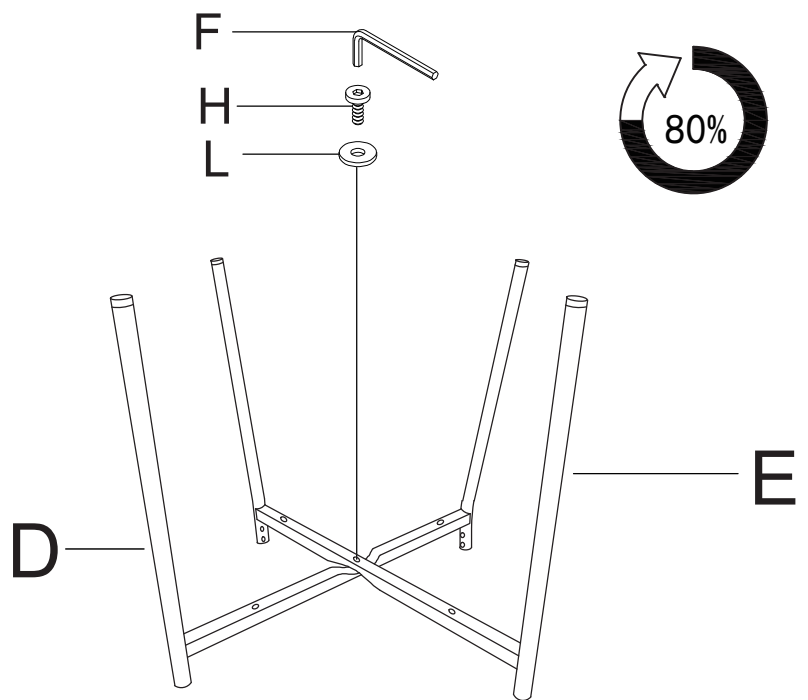
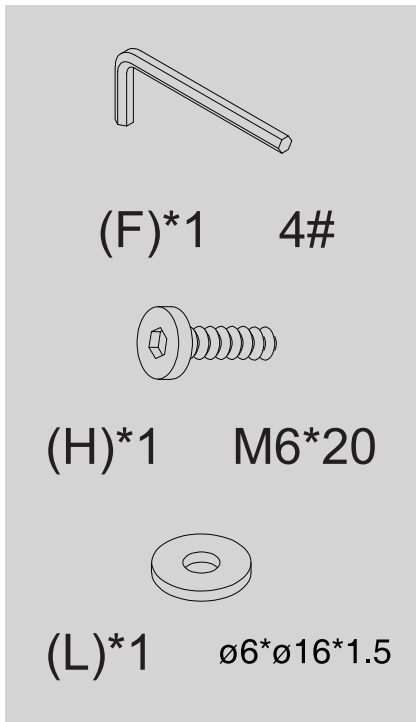
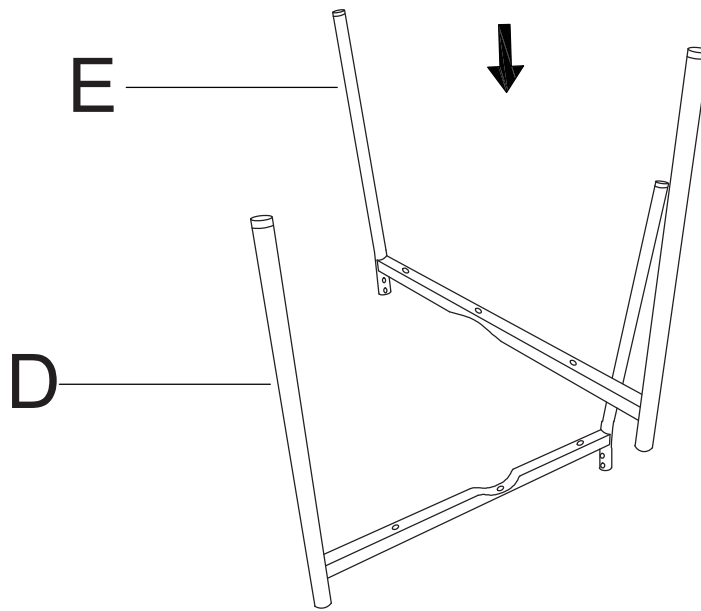
TO RISE  
  
YOURSELF

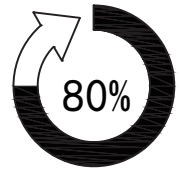
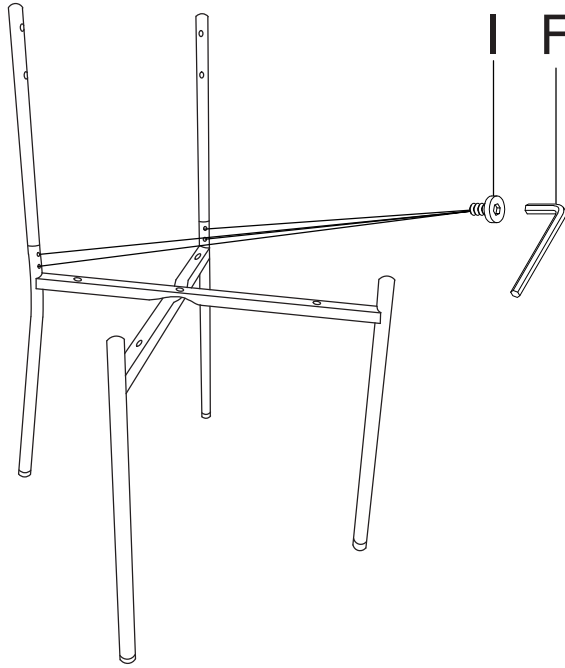
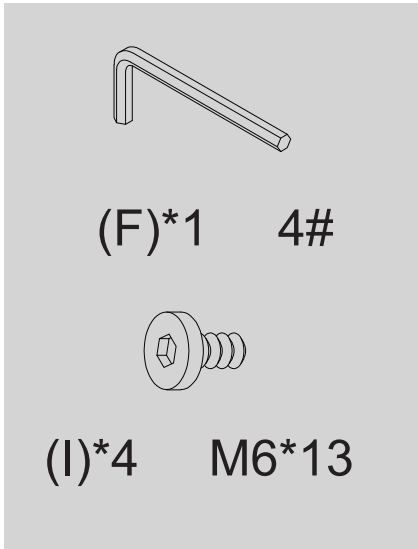
  
ASSEMBLY



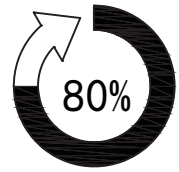
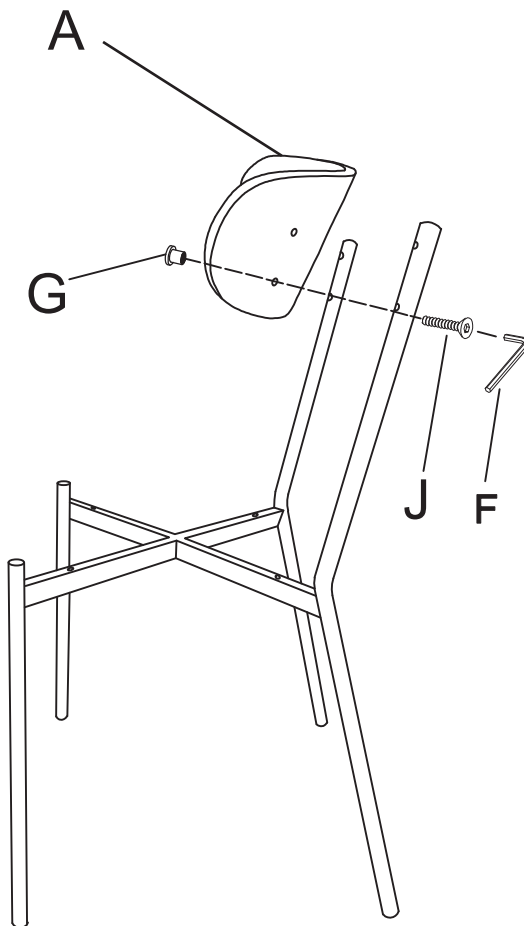
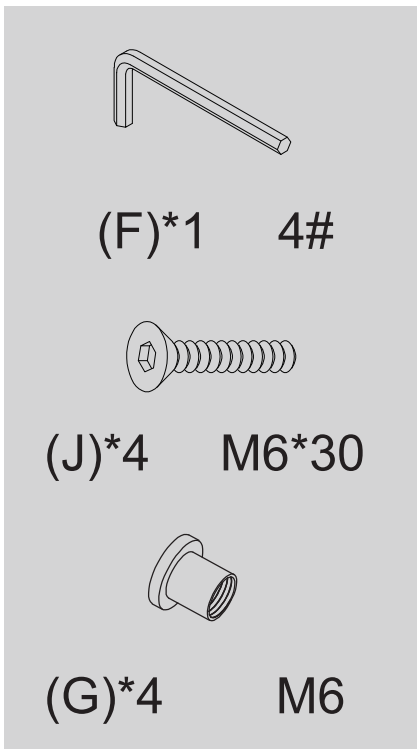
## 2 - ASSEMBLY

 <p>(A)*1</p>	 <p>(B)*1</p>
 <p>(C)*2</p>	 <p>(D)*1</p>
 <p>(E)*1</p>	 <p>(F)*1</p> <p>4#</p>
 <p>(G)*4</p> <p>M6</p>	 <p>(H)*1</p> <p>M6*20</p>
 <p>(I)*4</p> <p>M6*13</p>	 <p>(J)*4</p> <p>M6*30</p>
 <p>(K)*4</p> <p>M6*35</p>	 <p>(L)*5</p> <p>ø6*ø16*1.5</p>
 <p>(M)*1</p>	





4

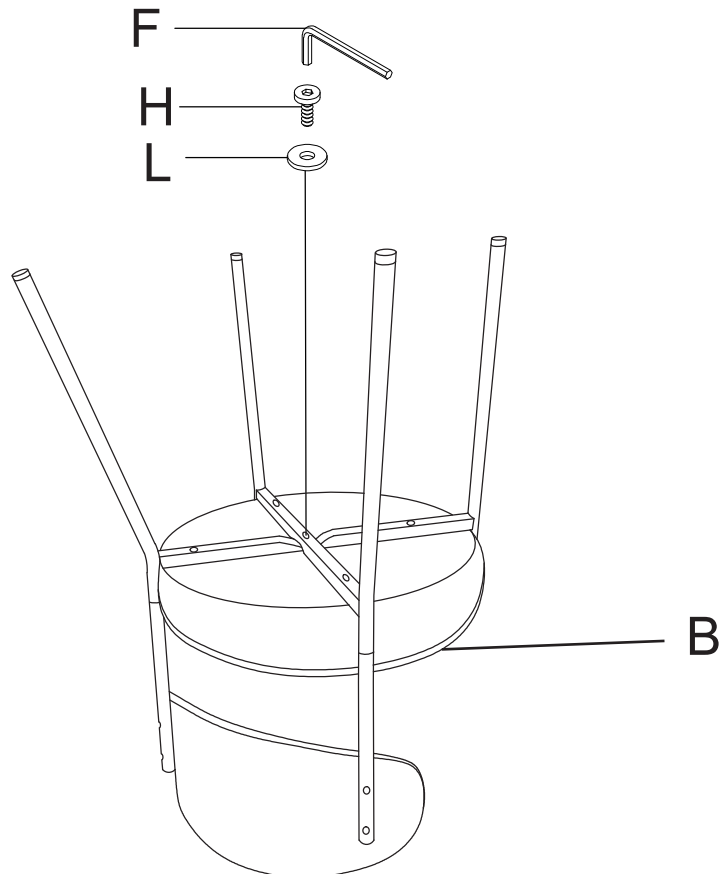
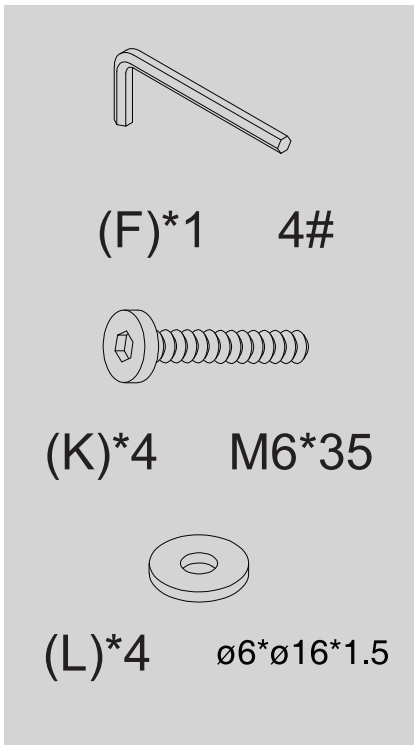


5



6

The final step is to assemble all screws 100%



### 3 - CLEANING AND MAINTENANCE

- Do not use corrosive or abrasive for cleaning products.
- Clean with a soft cloth
- Don't interfere with metal objects in a mechanism, so that they are threatened with serious deterioration.