

# ASSEMBLY INSTRUCTION

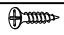
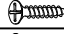
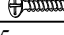
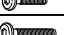





DESCRIPTION : KING STORAGE HEADBOARD /  
FOOTBOARD AND SIDERAIL

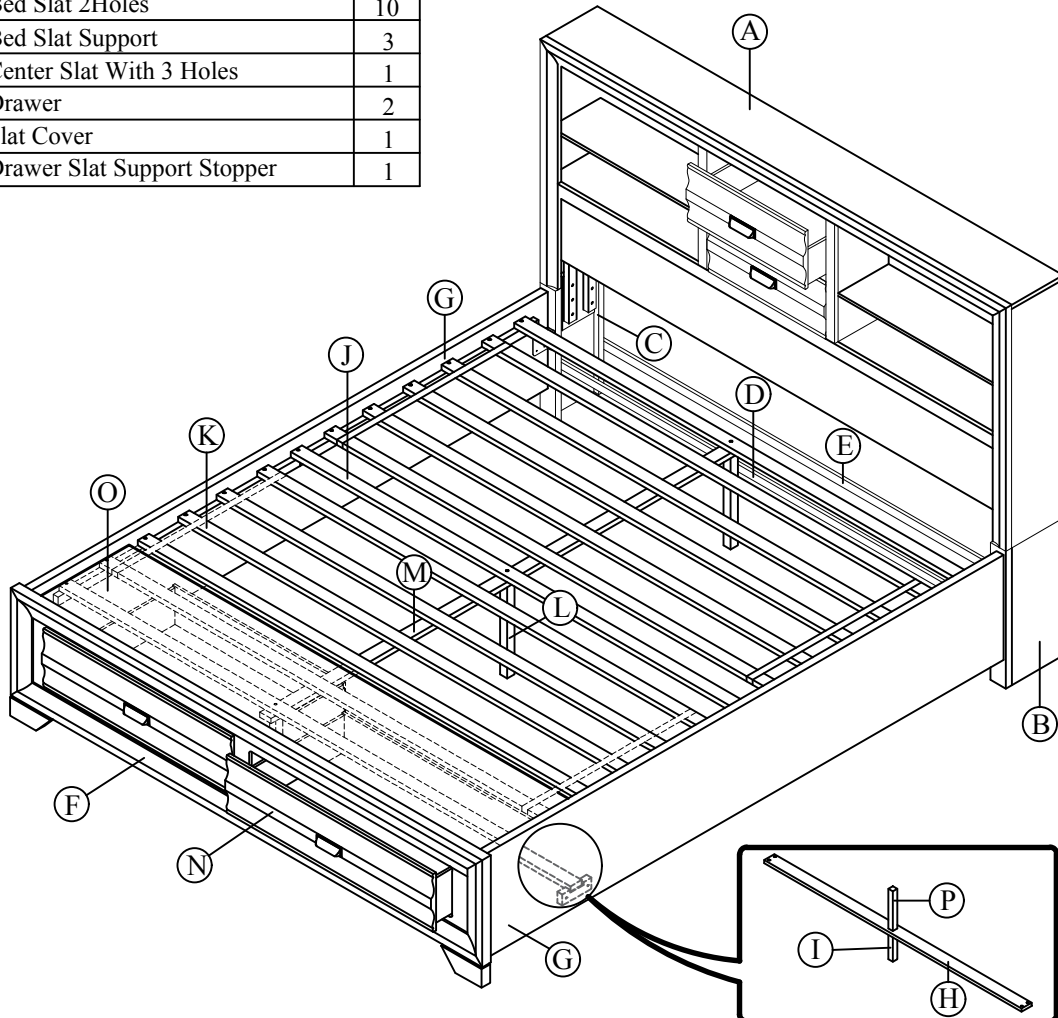
Thank you for purchasing this quality product. Be sure to check all packing material carefully for small Hardware which may have come loose inside the carton during shipment. Identify and count all Hardware and compare with the Hardware List below.

## PART LIST

NO.	Descriptions	Qty.
A	Headboard Panel	1
B	Headboard Leg Left (L)	1
C	Headboard Leg Right (R)	1
D	Headboard Support Rail Front	1
E	Headboard Support Rail Back	1
F	Footboard	1
G	Bed Rail	2
H	Drawer Slat	1
I	Drawer Slat Support	1
J	Bed Slat 3Holes	3
K	Bed Slat 2Holes	10
L	Bed Slat Support	3
M	Center Slat With 3 Holes	1
N	Drawer	2
O	Slat Cover	1
P	Drawer Slat Support Stopper	1

## HARDWARE HEADBOARD & FOOTBOARD

NO.	Descriptions	Qty.
1	CSK M4 x 16mm 	7
2	CSK M4 x 25mm 	8
3	CSK M4 x 32mm 	30
4	JCBC SCREW M6 x 35mm 	8
5	JCBC SCREW M6 x 60mm 	3
6	SPRING WASHER Ø¼" 	8
7	FLAT WASHER Ø¼" x 20mm 	8
8	L KEY M4 	1
9	L KEY M5 	1



# ASSEMBLY INSTRUCTION

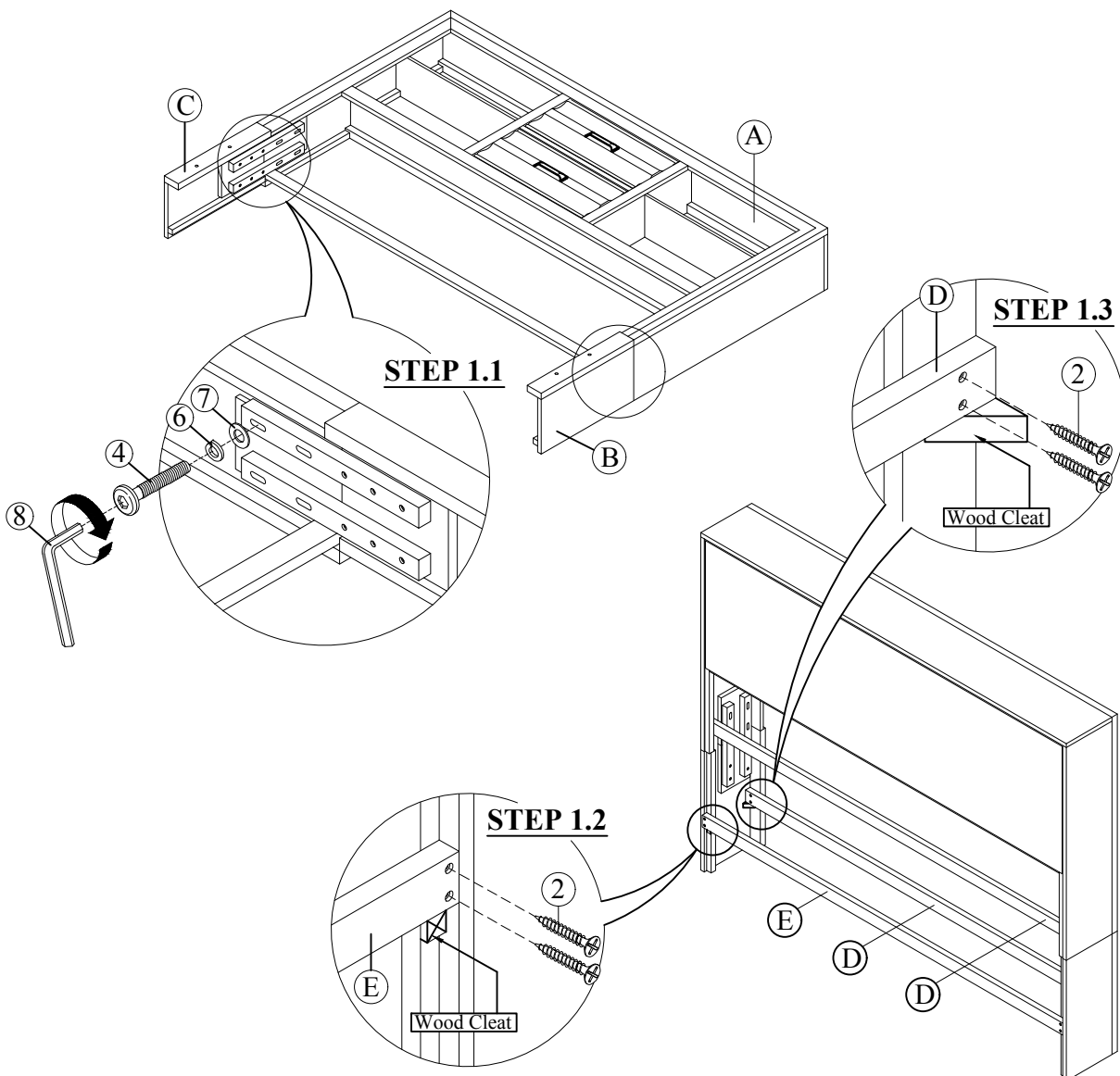
DESCRIPTION : KING STORAGE HEADBOARD /  
FOOTBOARD AND SIDERAIL

Thank you for purchasing this quality product. Be sure to check all packing material carefully for small Hardware which may have come loose inside the carton during shipment. Identify and count all Hardware and compare with the Hardware List below.

STEP 1.1: Attach & tighten the Headboard Leg (B) & (C) to the Headboard (A). Affix Headboard & Headboard Leg using JCBC screw M6 x 35mm (4), Spring Washer (6), Flat Washer (7) using L Key (8).

STEP 1.2: Attach Headboard Support Rail Front (D) & affix using CSK Screw M4 x 25mm (2).

STEP 1.3: Followed by Attach Headboard Back Support Rail (E) & affix using CSK Screw M4 x 25mm (2).  
(Attach at the top of wood cleat as shown in diagram)



# ASSEMBLY INSTRUCTION

DESCRIPTION : KING STORAGE HEADBOARD /  
FOOTBOARD AND SIDERAIL

Thank you for purchasing this quality product. Be sure to check all packing material carefully for small Hardware which may have come loose inside the carton during shipment. Identify and count all Hardware and compare with the Hardware List below.

STEP 2.1: Attach the Bed Rail (G) to Headboard Leg.

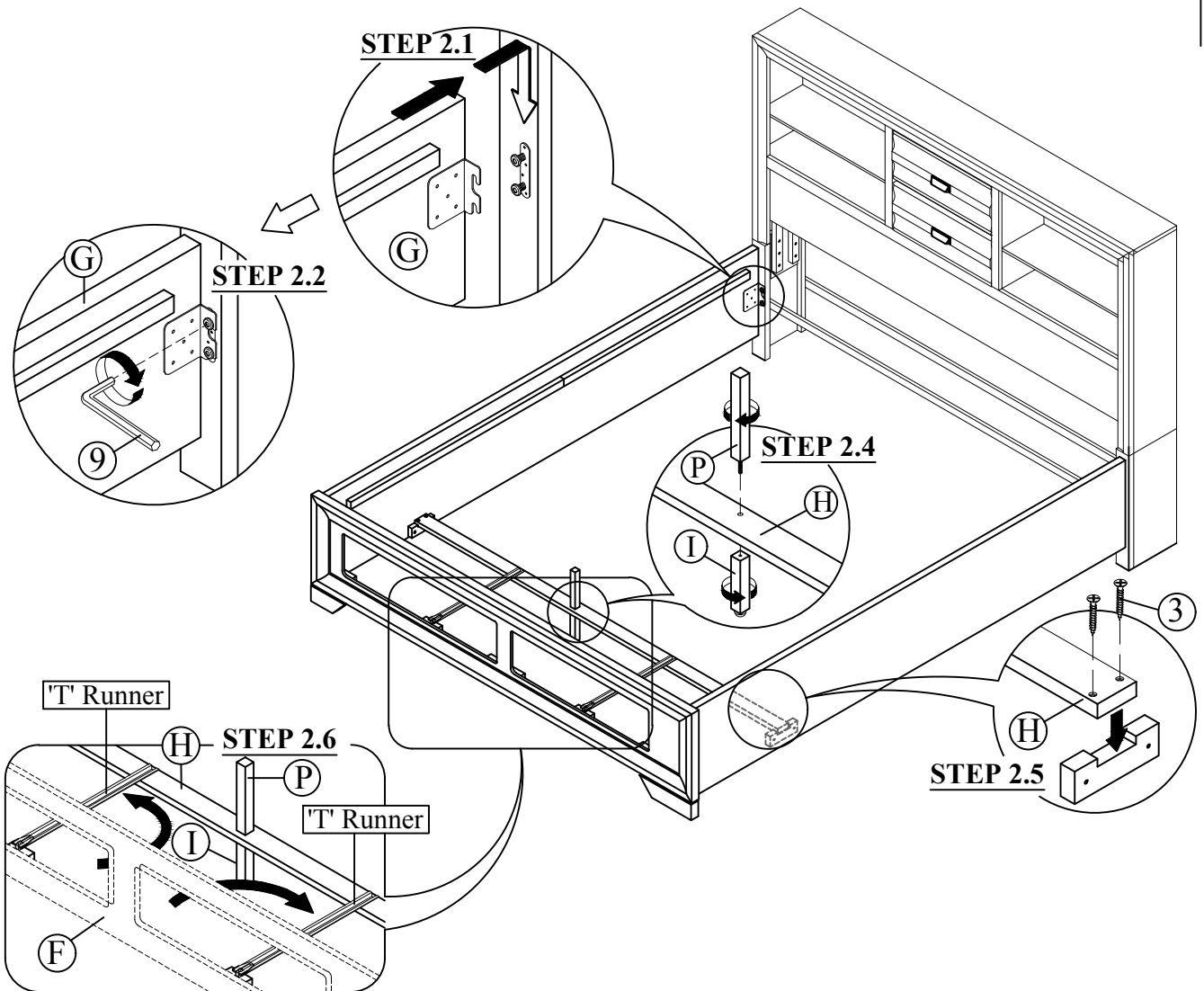
STEP 2.2: Tighten SCREW on Headboard Leg by using L KEY M5 (9) & repeat the same step on Footboard (F).

STEP 2.3: Move the bed to the desired position.

STEP 2.4: Attach the Drawer Slat (H) each to a Drawer Slat Support (I) and fix with Drawer Slat Support Stopper (P).

STEP 2.5: Fix the Drawer Slat (H) to Bed Rail (G) with CSK M4 x 32mm (3).

STEP 2.6: Move 'T' Runner at Footboard (F) to Drawer Slat (H).



# ASSEMBLY INSTRUCTION

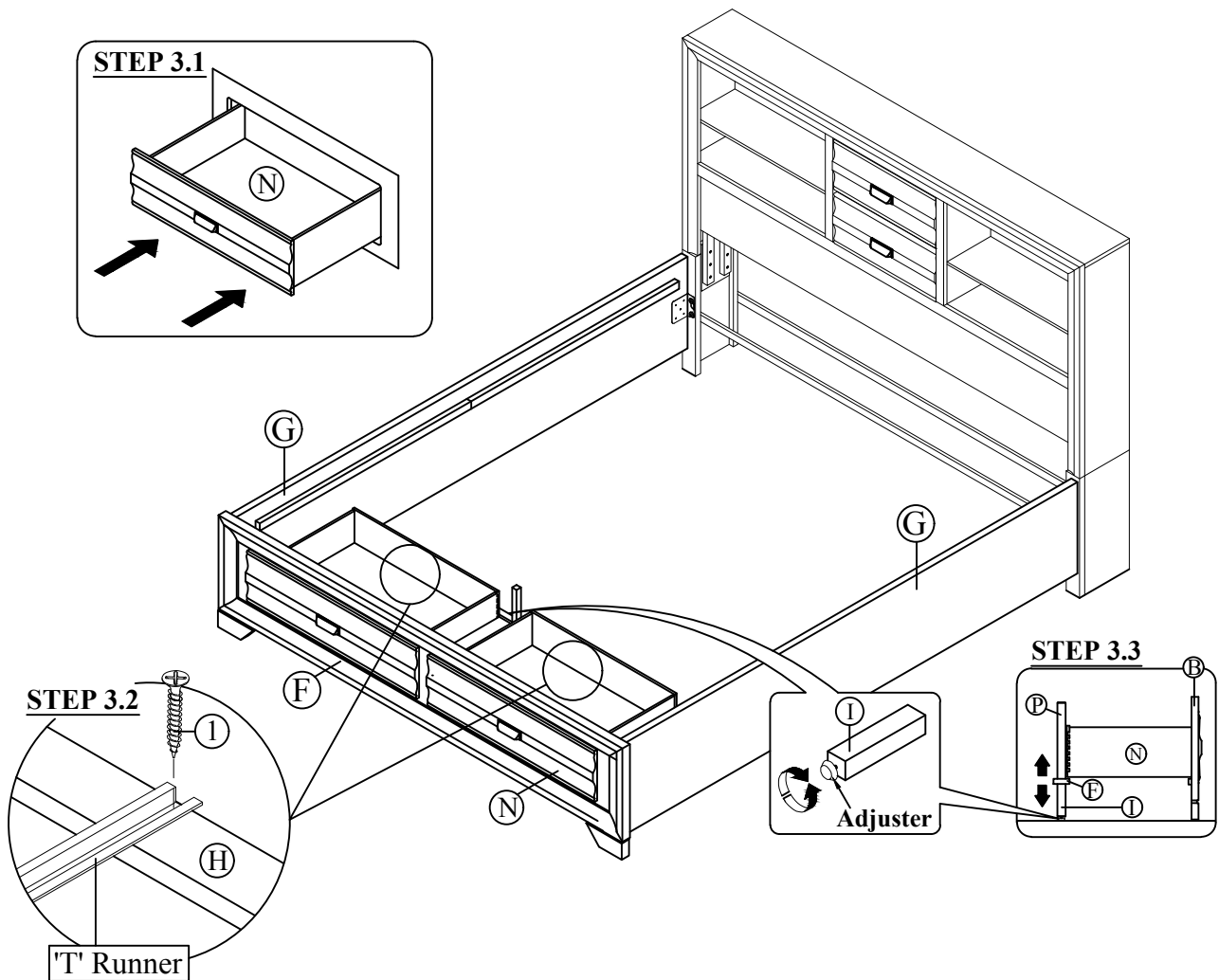
DESCRIPTION : KING STORAGE HEADBOARD /  
FOOTBOARD AND SIDERAIL

Thank you for purchasing this quality product. Be sure to check all packing material carefully for small Hardware which may have come loose inside the carton during shipment. Identify and count all Hardware and compare with the Hardware List below.

STEP 3.1: Insert Drawer (N) to Footboard (F) until completely closed.

STEP 3.2: Tighten 'T' Runner at Footboard (F) to Drawer Slat (H) with CSK M4 x 16mm (1).

STEP 3.3: If Drawer (N) does not close properly, adjust the adjuster at the bottom of Drawer Slat Support (I) up or down until the Drawer (N) closes tightly.



# ASSEMBLY INSTRUCTION

DESCRIPTION : KING STORAGE HEADBOARD /  
FOOTBOARD AND SIDERAIL

Thank you for purchasing this quality product. Be sure to check all packing material carefully for small Hardware which may have come loose inside the carton during shipment. Identify and count all Hardware and compare with the Hardware List below.

STEP 4.1: Attach the Center Slat (M), Bed Slat (J) to Bed Slat Support (L). Tighten with JCBC M6 x 60mm (5) by using L KEY M4 (8).

STEP 4.2: Attach Bed Slat (J) & Bed Slat (K) and tighten to Bed Rail (G) with CSK M4 x 32mm (3).

