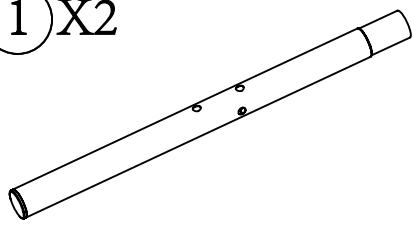
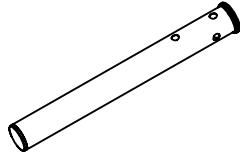
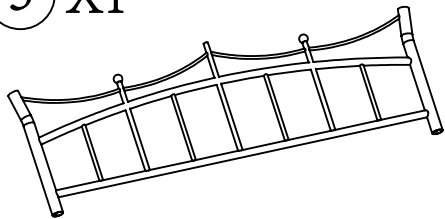
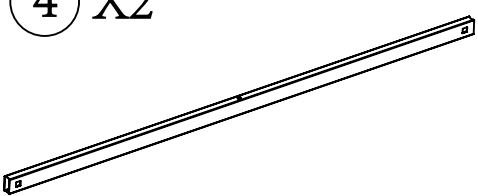
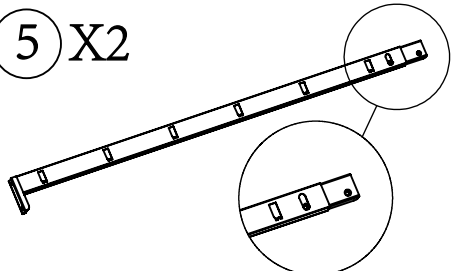
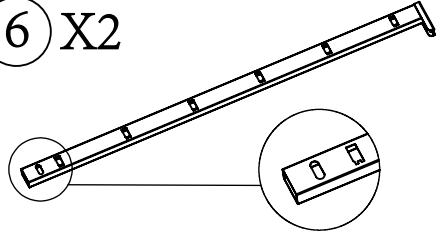
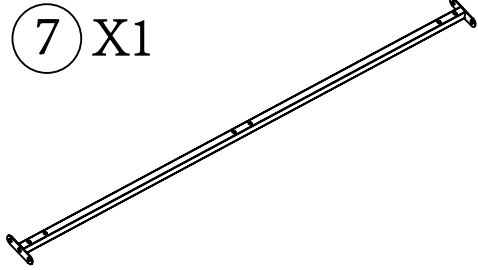
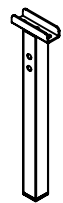
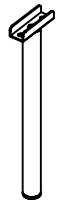
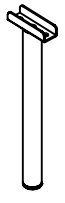
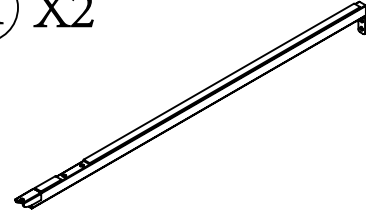
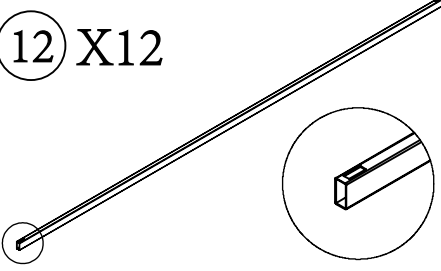


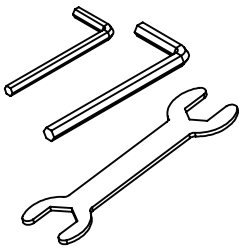



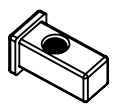




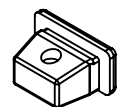
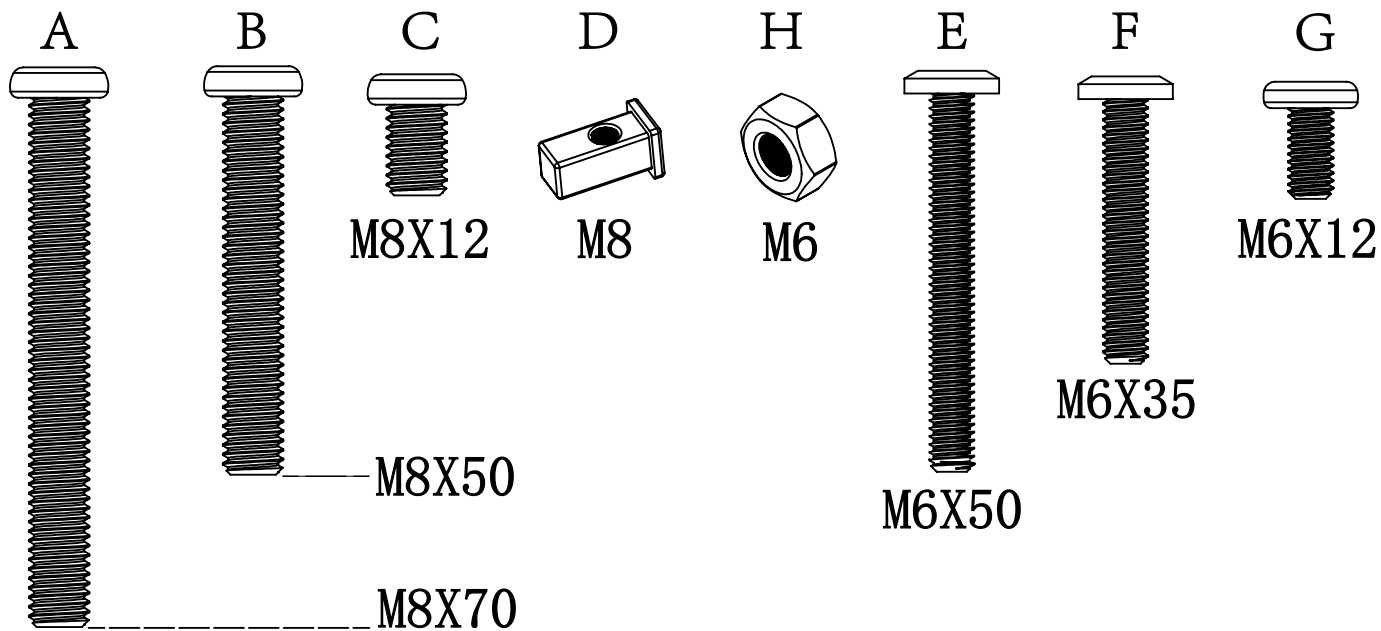
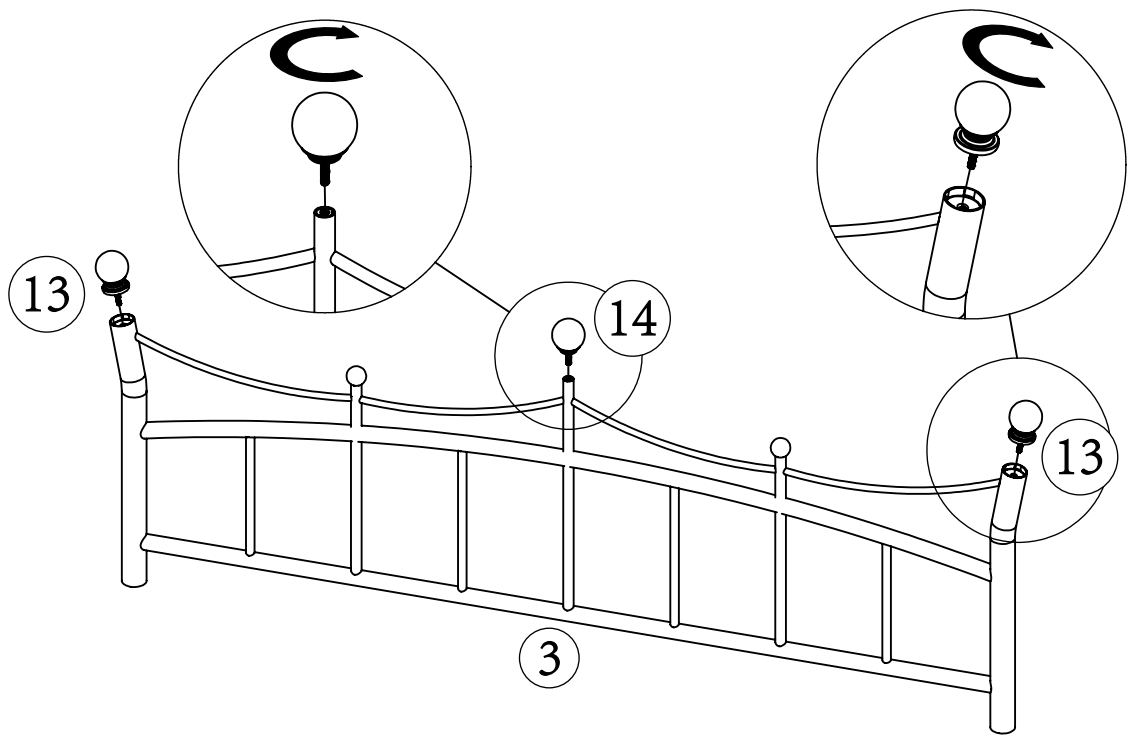


<p>① X2</p> 	<p>② X2</p> 	<p>③ X1</p> 					
<p>④ X2</p> 	<p>⑤ X2</p> 	<p>⑥ X2</p> 					
<p>⑦ X1</p> 	<p>⑧ X1</p> 	<p>⑨ X2</p> 	<p>⑩ X2</p> 	<p>⑪ X2</p> 			
<p>⑫ X12</p> 	<p>⑬ X2</p> 	<p>⑭ X1</p> 		<p>Ⓐ X4</p>  <p>M8X70</p>			
<p>Ⓑ X8</p>  <p>M8X50</p>	<p>Ⓒ X4</p>  <p>M8X12</p>	<p>Ⓓ X4</p>  <p>M8</p>	<p>Ⓔ X2</p>  <p>M6X50</p>	<p>Ⓕ X12</p>  <p>M6X35</p>	<p>Ⓖ X4</p>  <p>M6X12</p>	<p>Ⓗ X12</p>  <p>M6</p>	<p>Ⓚ X24</p> 

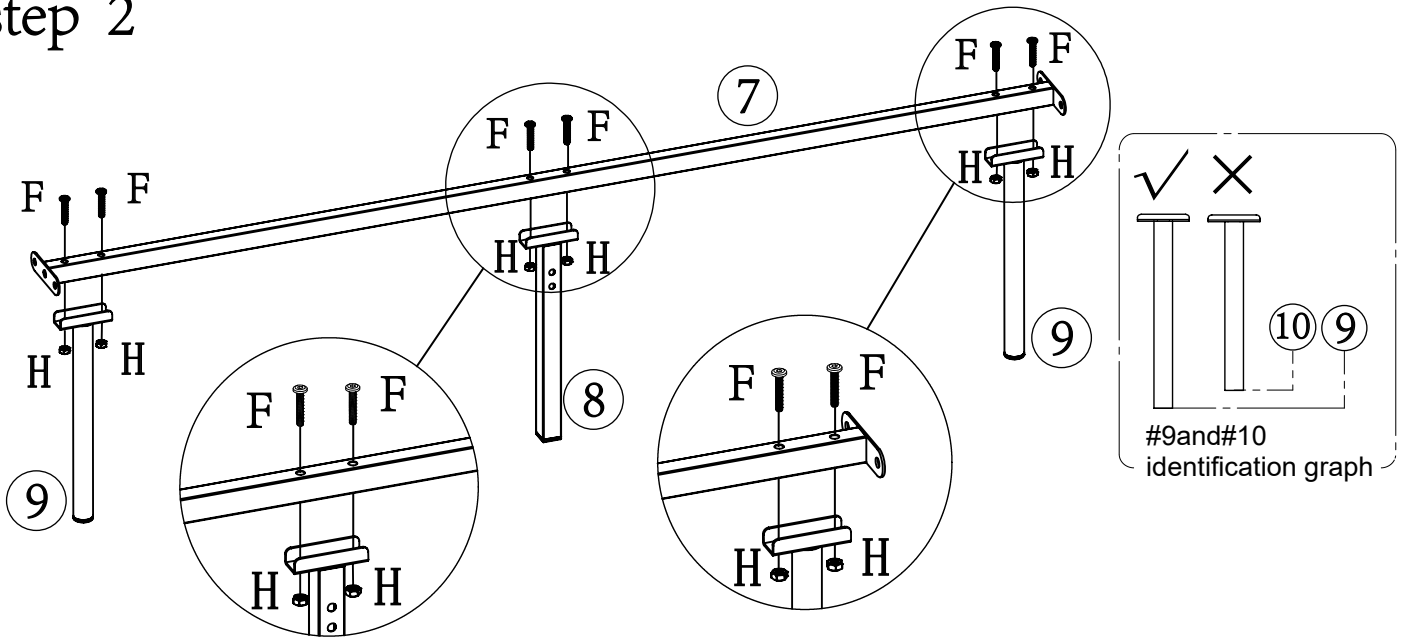
Different screws display (1:1)



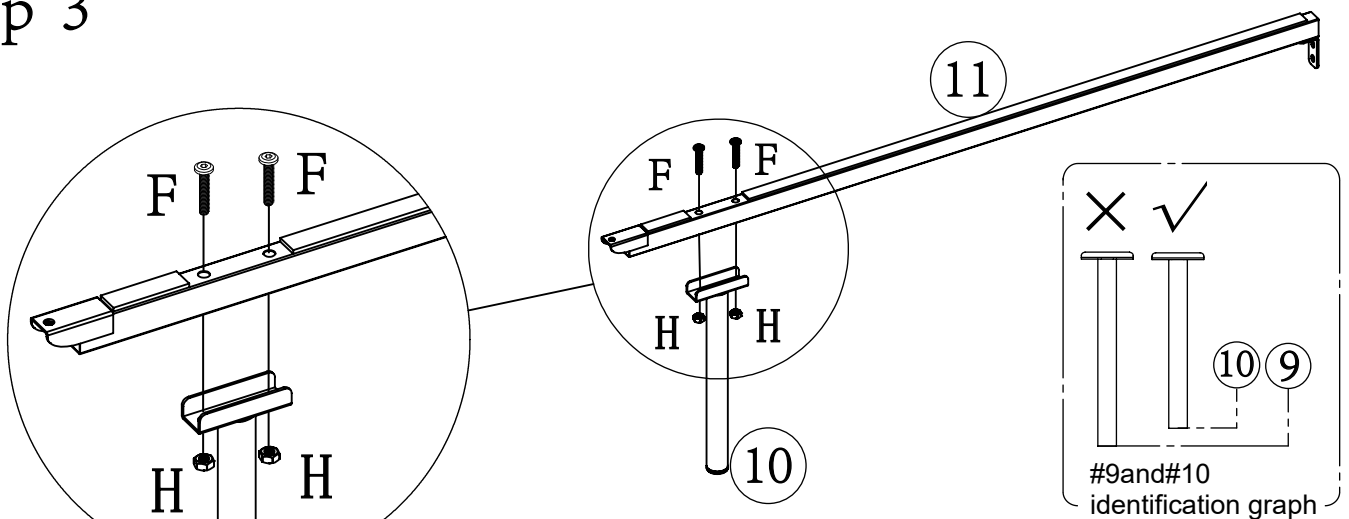
step 1



step 2

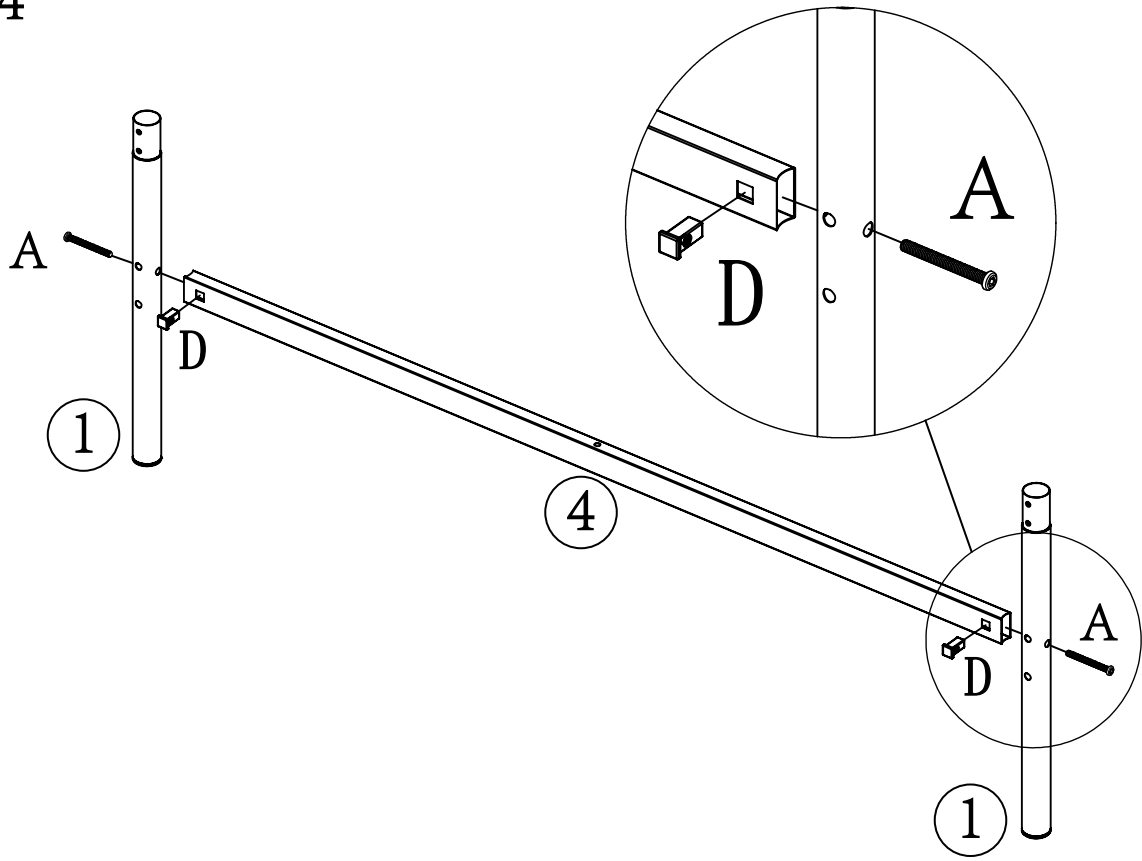


step 3

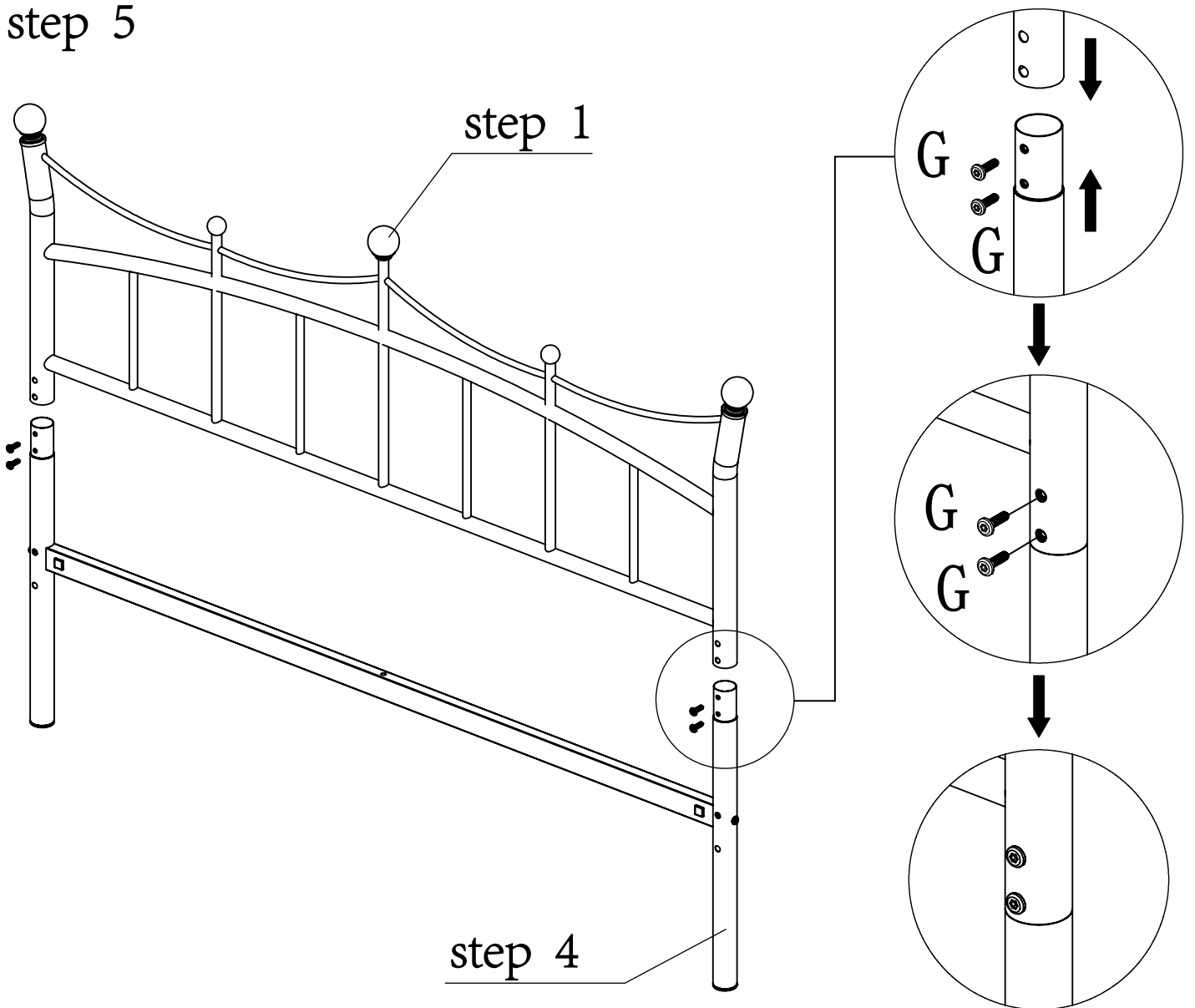


2PCS

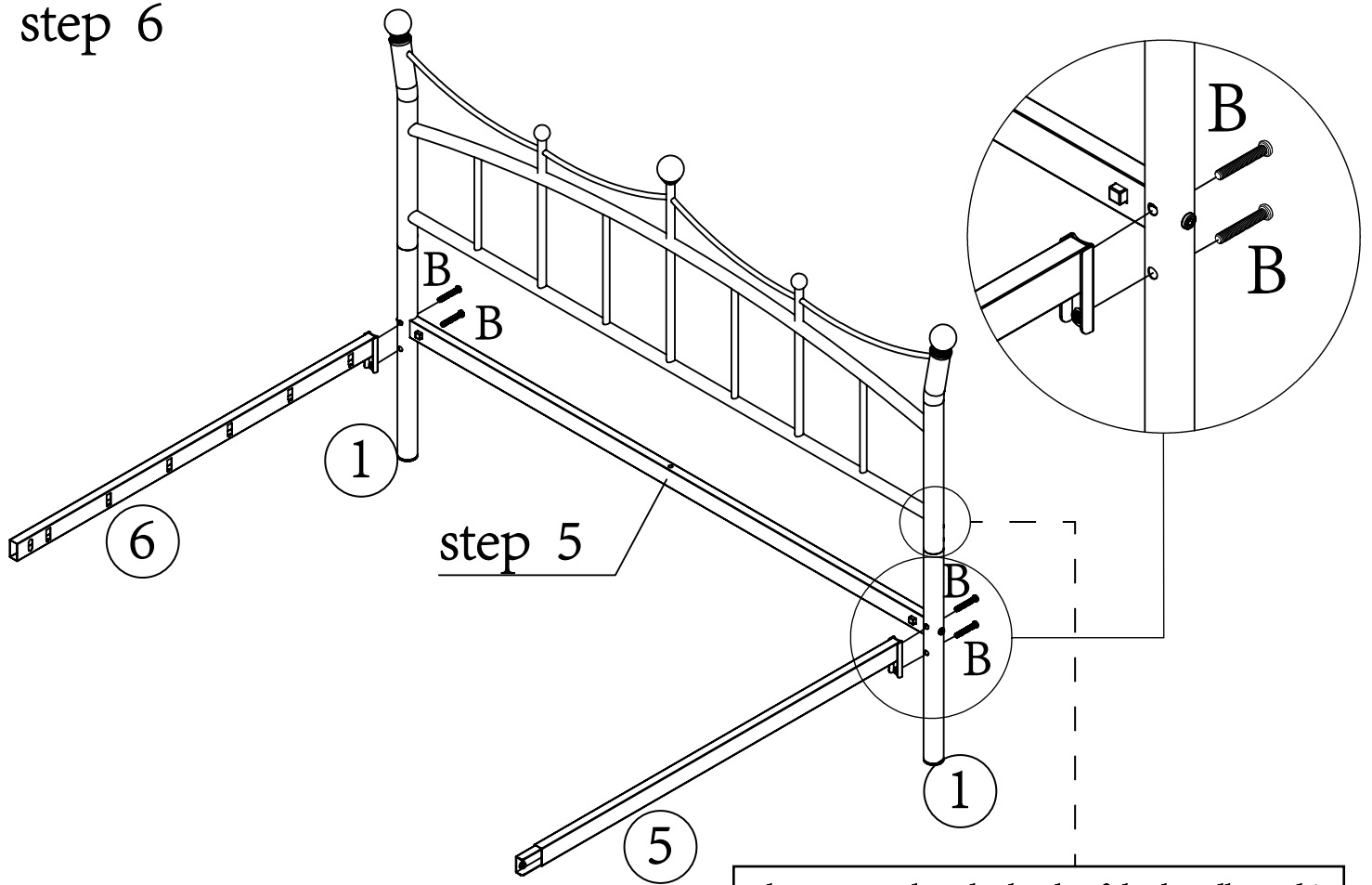
step 4



step 5

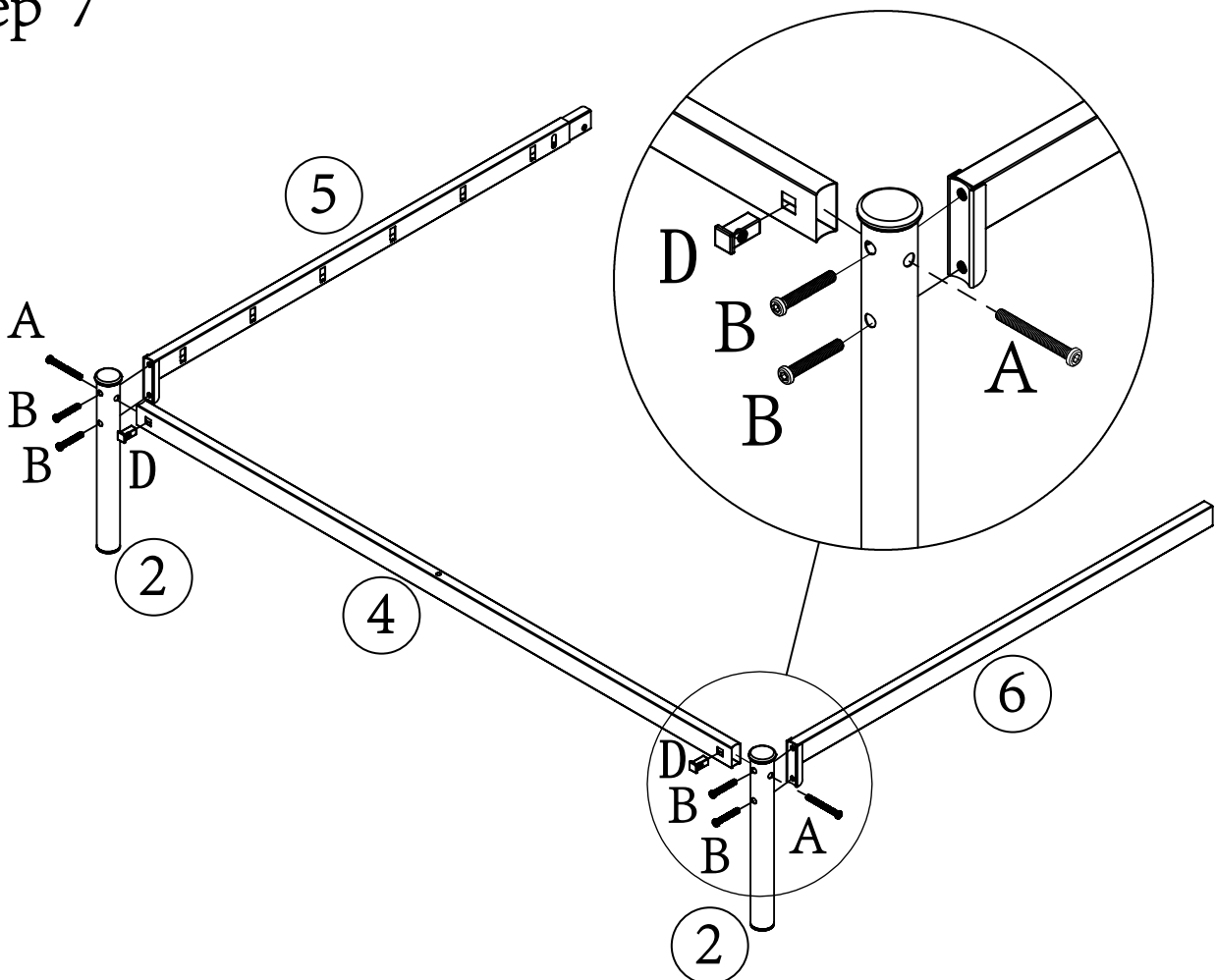


step 6

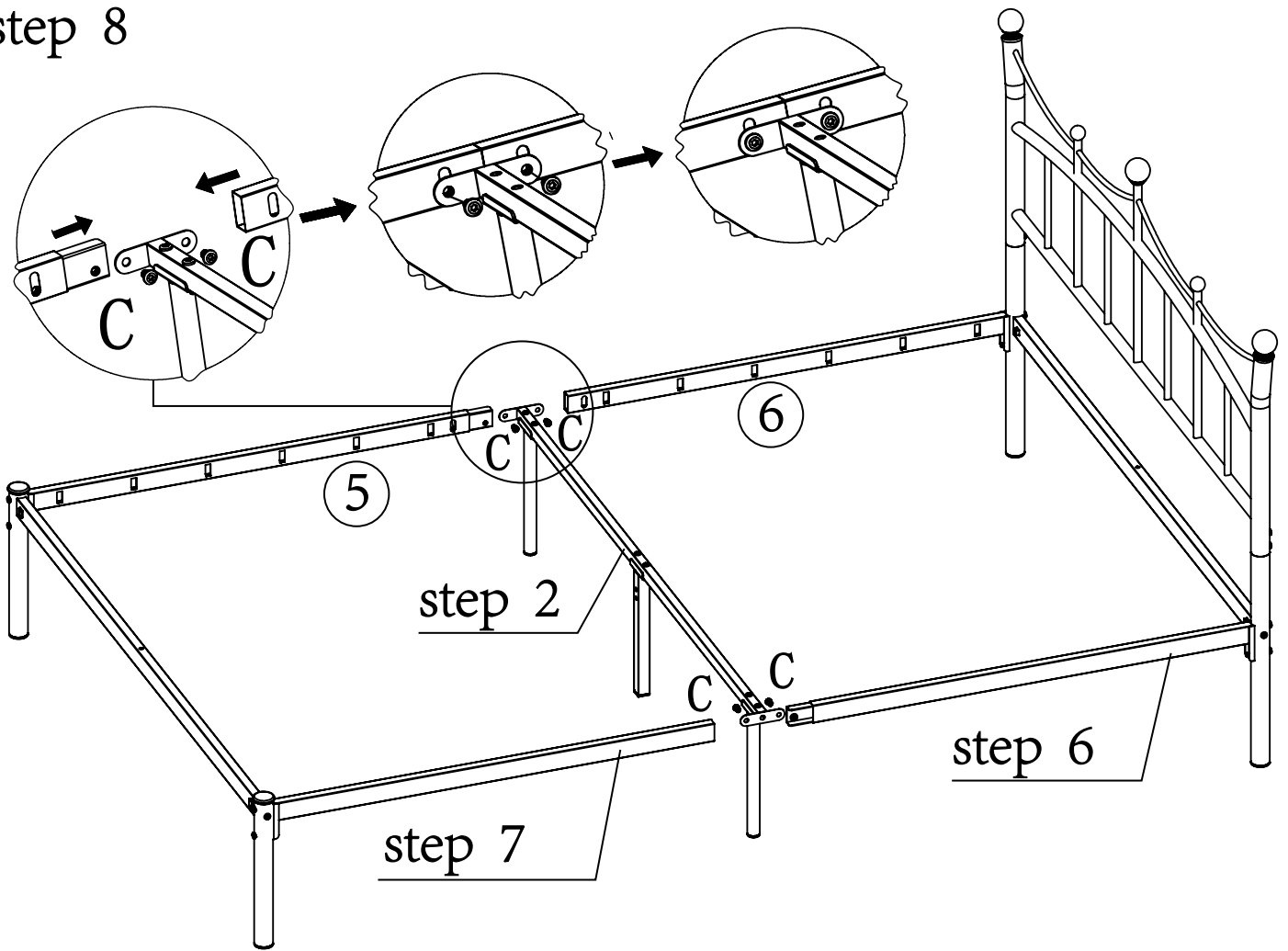


Please note that the back of the headboard is the side where F screws are installed

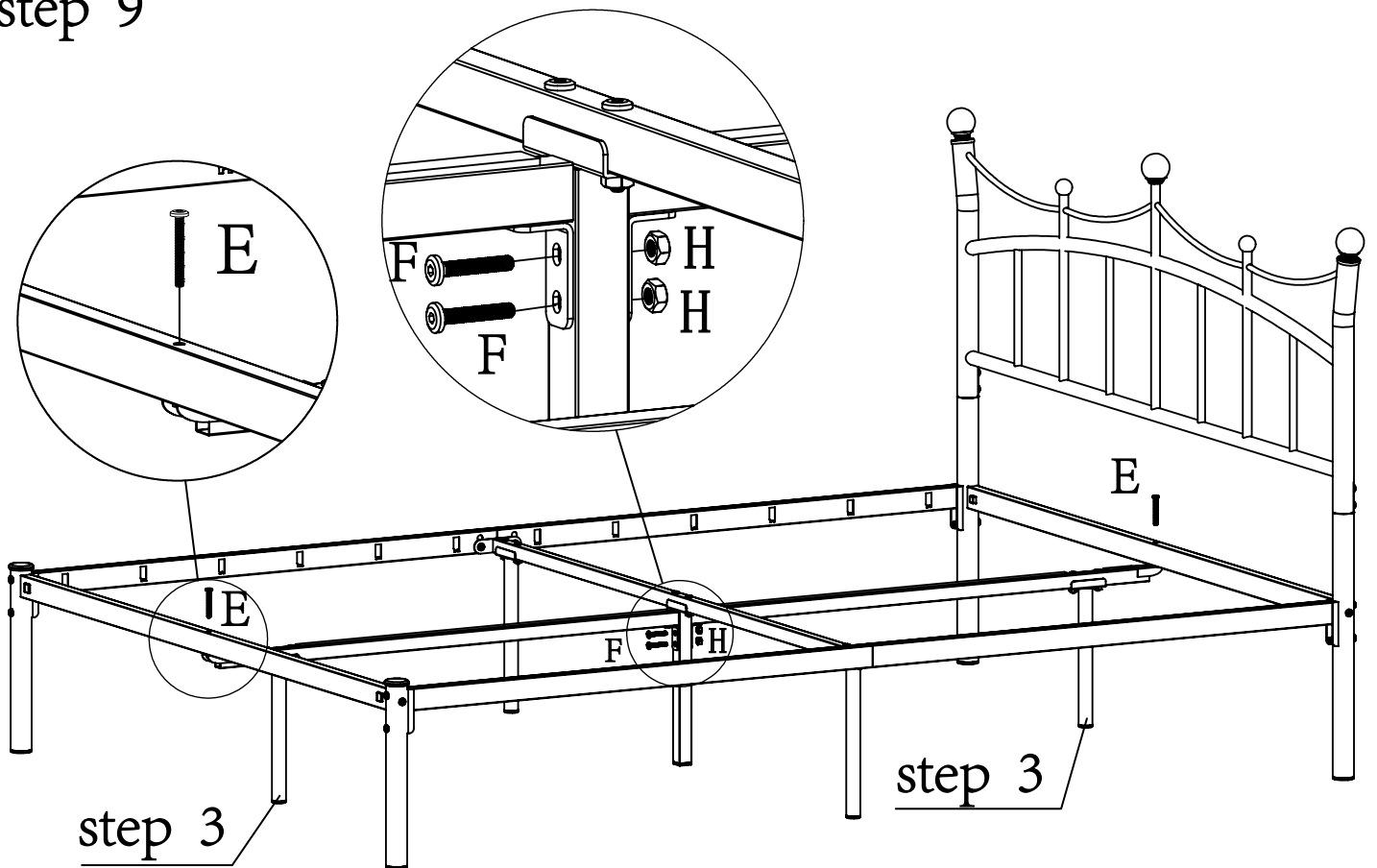
step 7



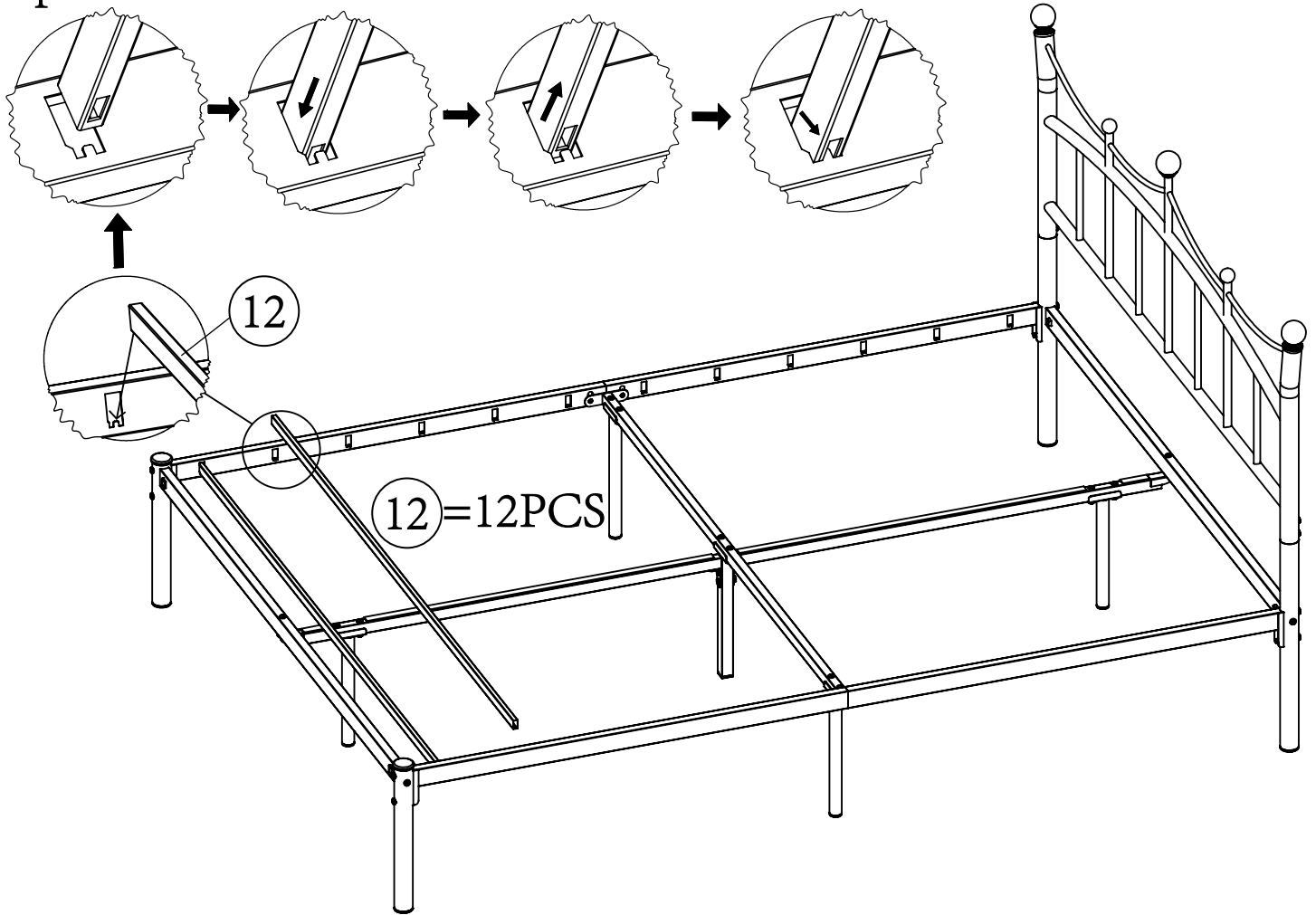
step 8



step 9



step 10



step 11

