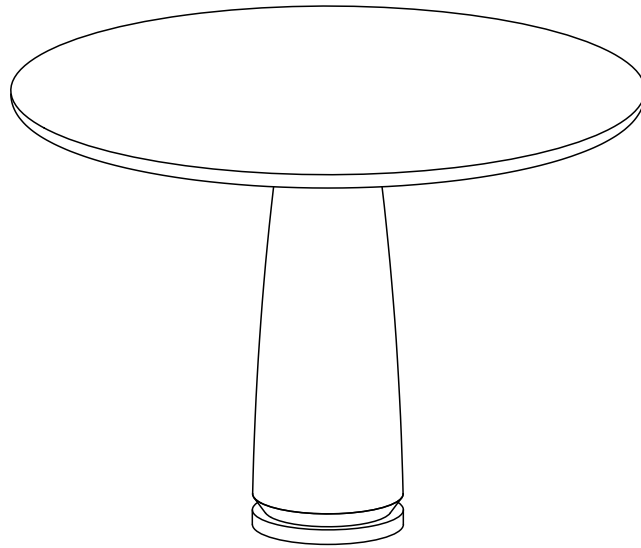


VALENTIA ROUND MARBLE DINING TABLE WHITE / BROWN

Assembly Instructions



Thanks for bringing Couture into your home

Everything we make is incredibly simple to set up, including your new coffee table. You won't need any additional tools.

Parts List

A X 1
Round Marble Top



B X 1
Base



C X 1
IRON PLATE



Hardware List

HW1 X 1
ALLEN KEY 5mm



HW2 X 16
JCB BOLT 8X1.25X16mm



HW3 X 16
FLAT WASHER 8mm

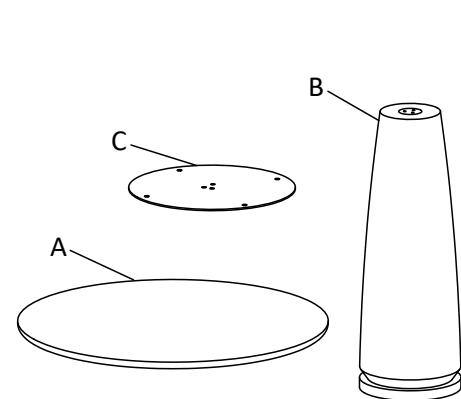


HW4 X 8
CSK BOLT 8X1.25X25mm



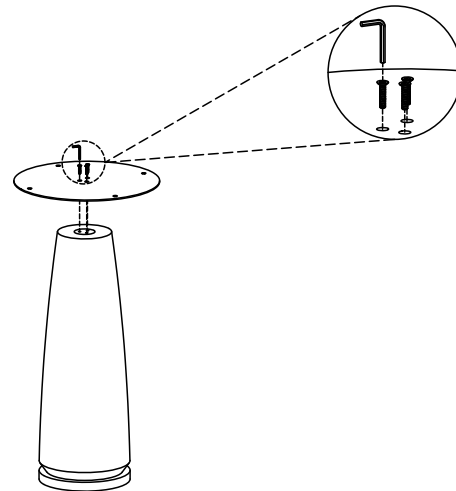
1

Carefully place the Base (B) on a flat surface as shown in the image below.



2

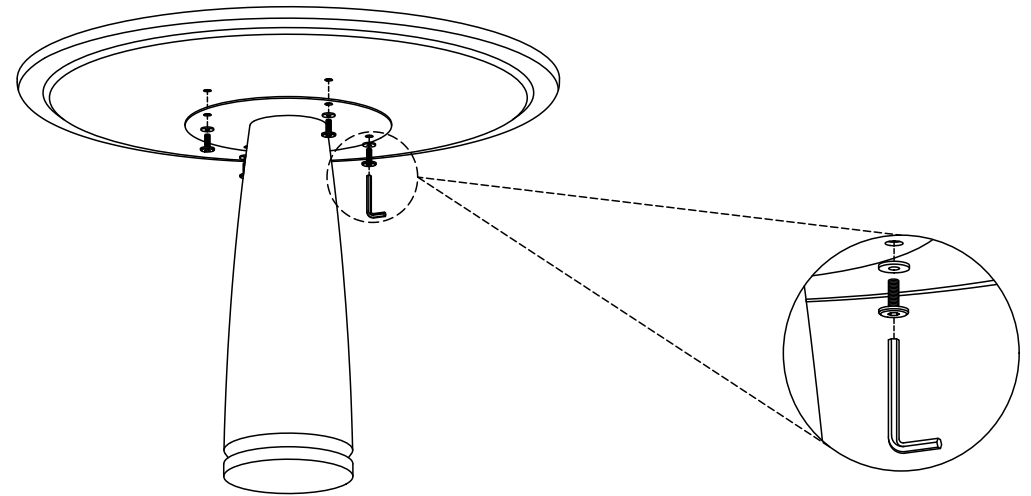
Assemble the Iron plate (C) on its Top. Carefully place the marble top (A) aligning the bolt holes.



3

Firmly screw the bolts. Do not Over torque the bolt or it may get loosen.

***Note - Tightening too much can damage the base insert.**



4

Carefully place the accent table in the place where you will use it. We'd love to see it - just tag us We're and use the hashtag on Instagram.

