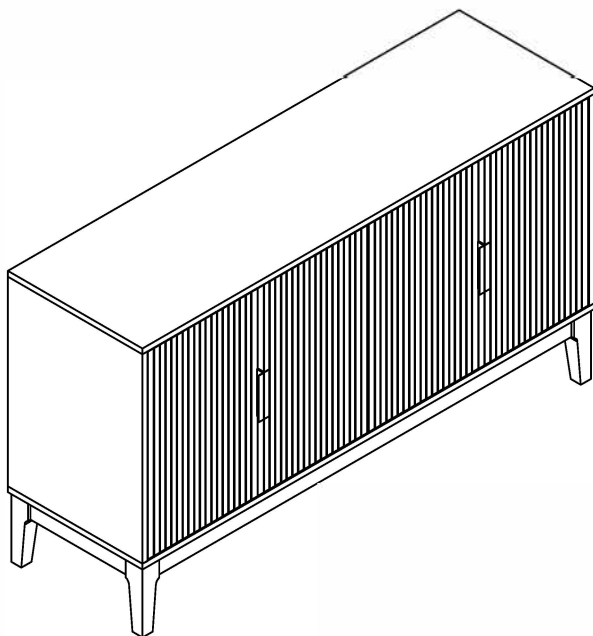


# Owner Manual



Weight Limitation

**150 LBS**



Installation:  
80 minutes.



Two Person

Thank You For Choosing Our Furniture

- ▀ If you have any questions or concerns, don't hesitate to reach out to us. ▀

## NOTE:

This brochure contains IMPORTANT safety info. Please read and keep it for future reference.

# MAINTENANCE AND WARNINGS



## Before You Start

### ***Please follow the steps below:***

- ⚠ Check the packaging for any damage, deformation, or water stains. If there is significant damage, please contact us promptly.
- ⚠ Unpack the box and compare the contents with the parts list and hardware list to ensure all components and accessories are present and complete.
- ⚠ Please read the installation instructions carefully to understand the installation steps and precautions to ensure proper installation.
- ⚠ Clean the installation area in advance and ensure the ground is level and there is enough space to avoid damaging the furniture or making installation difficult.
- ⚠ Lay a protective mat on the ground to prevent scratching the floor during installation.

### ***After-Sales Service***

- If you encounter any issues or need technical support during use, please contact our after-sales team. We offer long-term maintenance and warranty services.



## Precautions

- ⚠ This product is for indoor use only. Do not expose it to outdoor elements or high-humidity environments.
- ⚠ Keep the product away from high heat or open flames to prevent fire hazards.
- ⚠ Do not allow children to climb on the product, as this may cause tipping and result in personal injury.



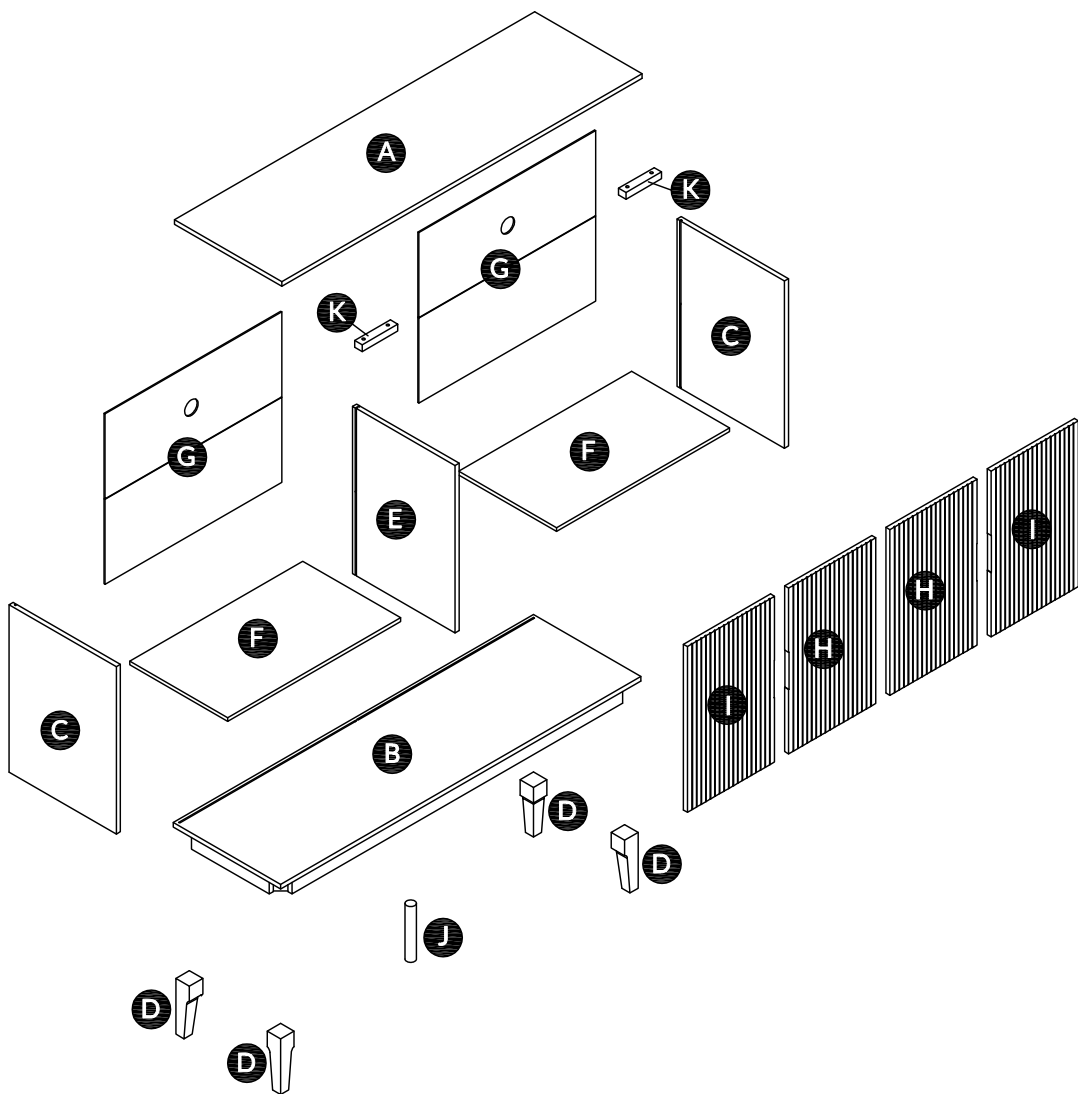
## Safety Warnings

- ⚠ If you notice any loose or damaged parts, stop using the product immediately and contact customer service.
- ⚠ Do not attempt to disassemble or replace any components yourself, as this may affect the stability and safety of the product.

### ***Daily Maintenance***

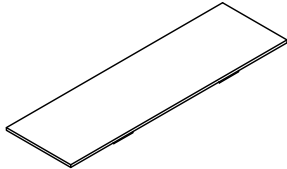
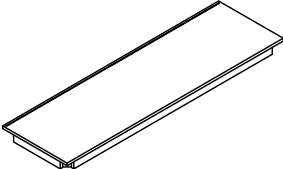
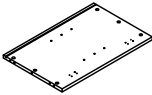

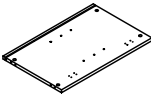
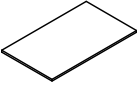
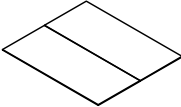
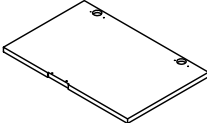
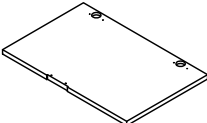

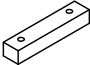

- Regularly clean the surface with a soft cloth to prevent dust accumulation.
- Do not use cleaning agents containing acids, alkalis, or corrosive substances, as they may damage the surface. It is recommended to use neutral cleaning agents or specialized furniture cleaners.
- Avoid exposing furniture to humid environments for extended periods. Use a dehumidifier or desiccant during humid weather.
- Avoid direct contact of furniture with water. If water is accidentally spilled, wipe it dry immediately.
- Avoid placing excessively heavy objects on the furniture: ensure the weight is within a reasonable load-bearing range.
- Avoid using sharp or rough items on the furniture surface to prevent scratches. Handle items gently when moving them.

**Explosive view**

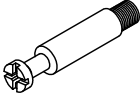

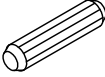
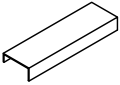

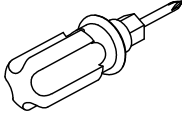
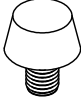


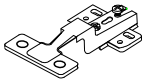
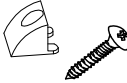

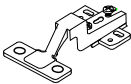
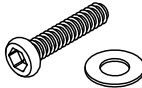




# Parts list

## Box A

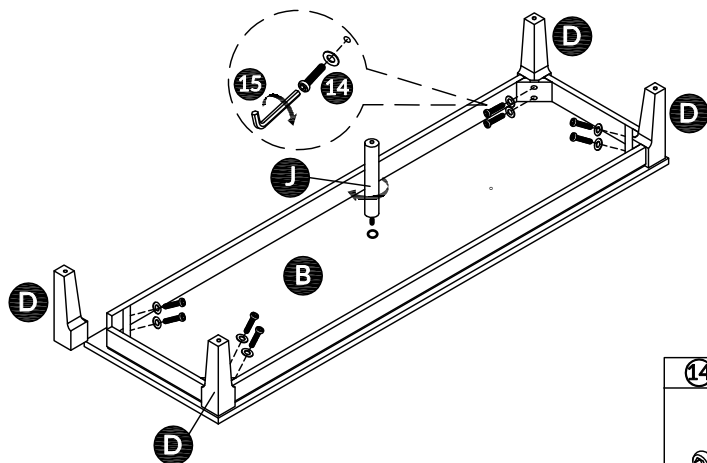
<b>A x1 Top panel</b> 		<b>B x1 Bottom board</b> 	
<b>C x2 Side panel</b> 	<b>D x4 Leg</b> 	<b>E x1 Middle panel</b> 	<b>F x2 Clapboard</b> 
<b>G x2 Back panel</b> 	<b>H x2 Door</b> 	<b>I x2 Door</b> 	<b>J x1 Adjust the foot</b> 
<b>K x2 Adjust the foot</b> 	<b>Hardware Pack</b> 		

# Hardware List

<p>① x18+1</p>  <p>D6*35mm</p>	<p>② x18+1</p>  <p>D15*11mm</p>	<p>③ x12+1</p>  <p>D8*30mm</p>	<p>④ x4</p> 
<p>⑤ x8+1</p>  <p>D3*12mm</p>	<p>⑥ x1 Screw driver</p> 	<p>⑦ x5</p> 	<p>⑧ x2</p> 
<p>⑨ x8+1</p> 	<p>⑩ x4 Half overlay</p> 	<p>⑪ x16+1</p>  <p>D3*14mm</p>	<p>⑫ x48+2</p>  <p>D4*16mm</p>
<p>⑬ x4 Insert</p> 	<p>⑭ x8+1</p>  <p>D6*40mm</p>	<p>⑮ x1</p>  <p>M4</p>	<p>⑯ x4+1</p>  <p>D4*20mm</p>

## Step 1

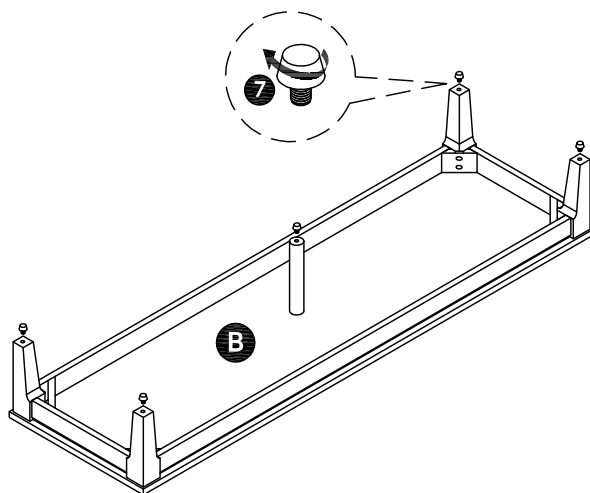
Use (14) into the corresponding hole of panel (B), make sure all holes aligned as picture show.



(14)	x 8	(15)	x1
D6x40mm		M4	

## Step 2

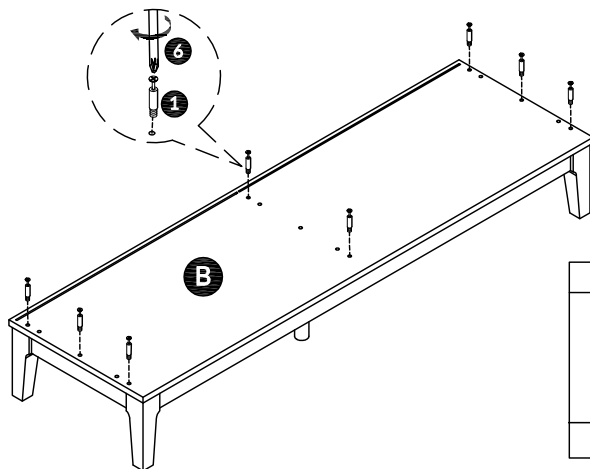
Use (7) into the corresponding hole of Leg (D) and Adjust the foot (J), make sure all holes aligned as picture show.


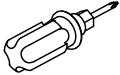


(7)	x5

### Step 3

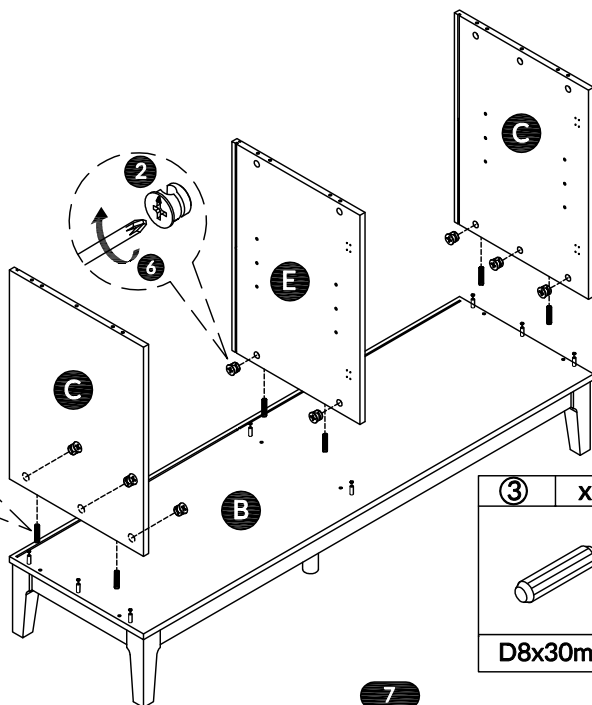
Insert 1 into the side panel B , make sure all holes aligned as picture show.

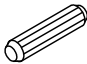

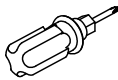


①	x8	⑥	x1
			
D6x35mm			

### Step 4

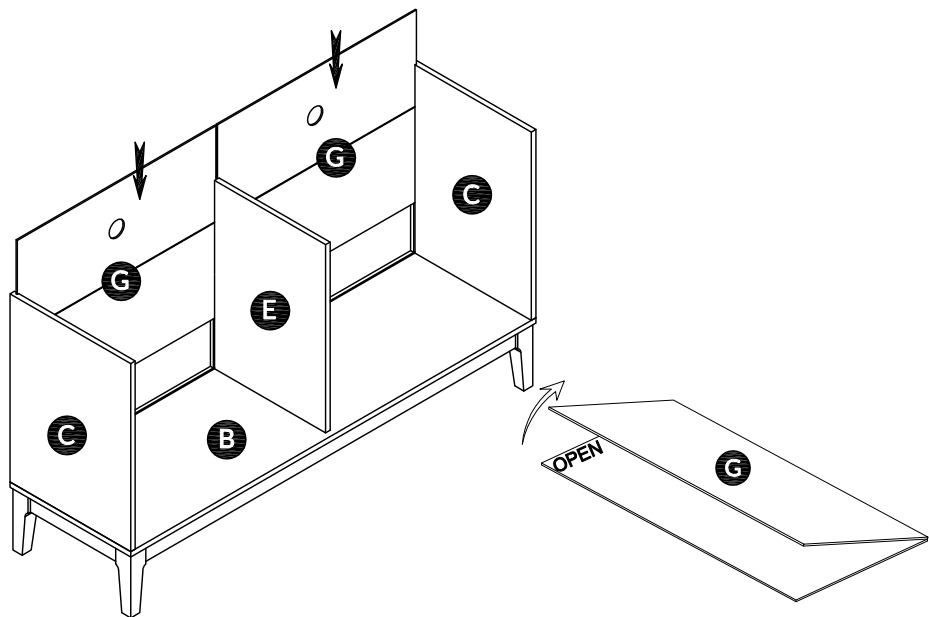
Attach panel(C/E) into the corresponding hole of side panel (B) ,make sure all holes aligned and use combiner 2 and 3 to tighten it as picture show.



③	x6	②	x8	⑥	x1
					
D8x30mm		D15x11mm			

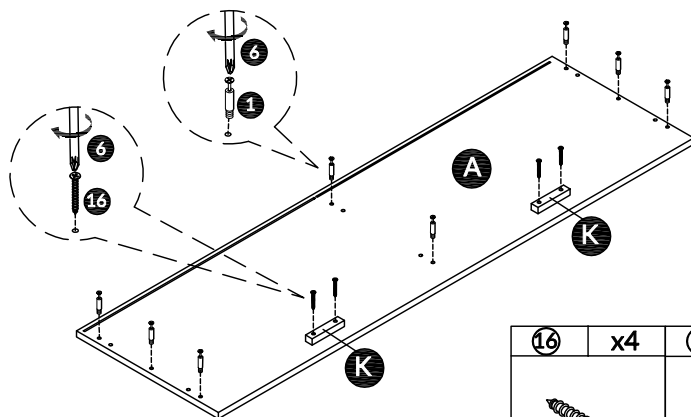
## Step 5



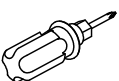
Open the back panel(G), Attach back panel into the panel C and E.



## Step 6

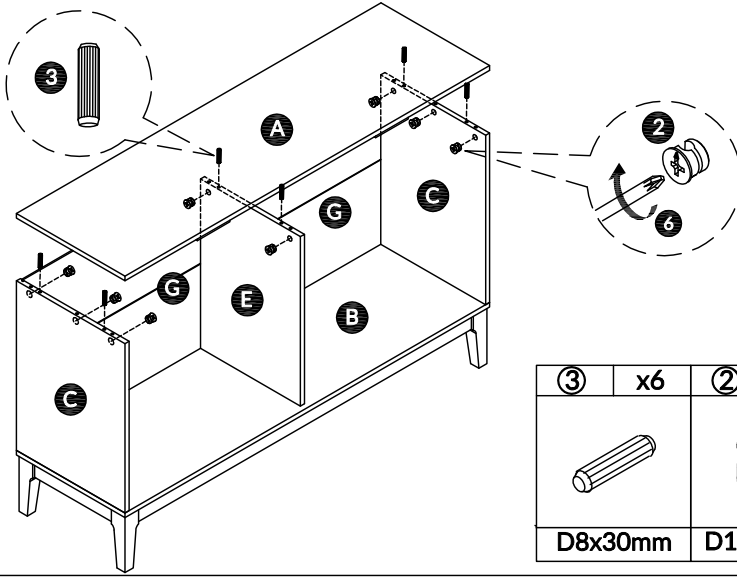
Insert 1 into the side panel B , make sure all holes aligned as picture show.



⑬	x4	①	x8	⑥	x1
					
D4x20mm		D6x35mm			

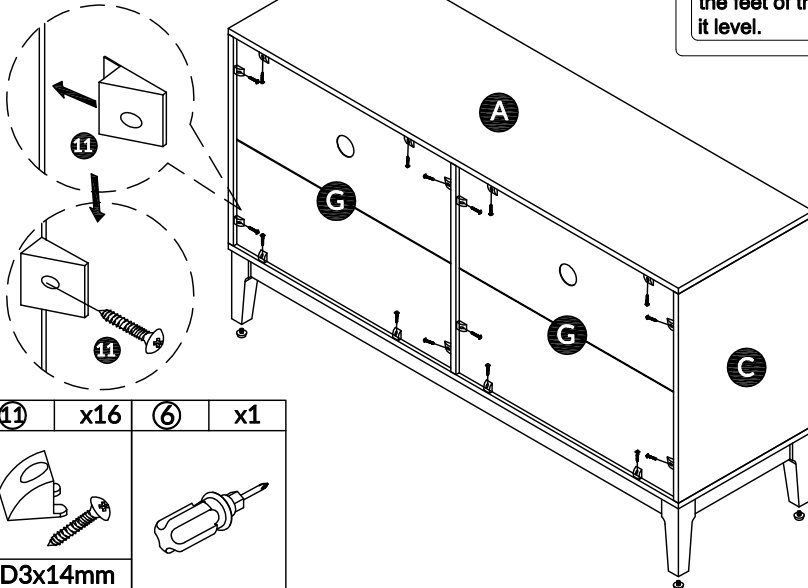
## Step 7

Attach panel(A) into the corresponding hole of panel (C/E), make sure all holes aligned and use combiner 2 and 3 to tighten it as picture show.



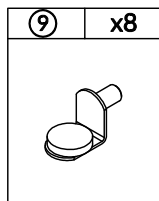
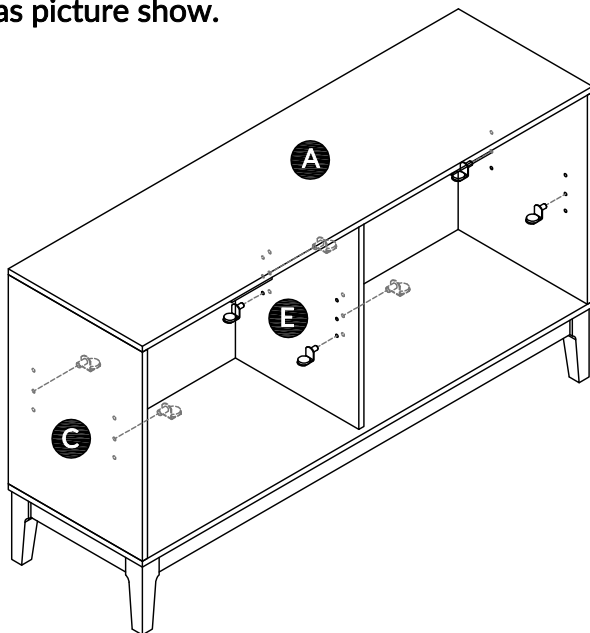
## Step 8

**Attention:**  
Before the next step, adjust the feet of the locker to keep it level.



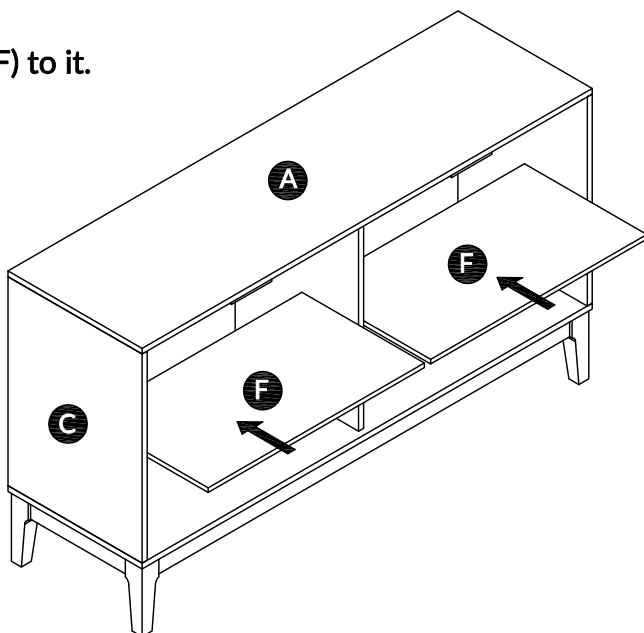
## Step 9

Use (9) into the corresponding hole of panel (C/E), make sure all holes aligned as picture show.



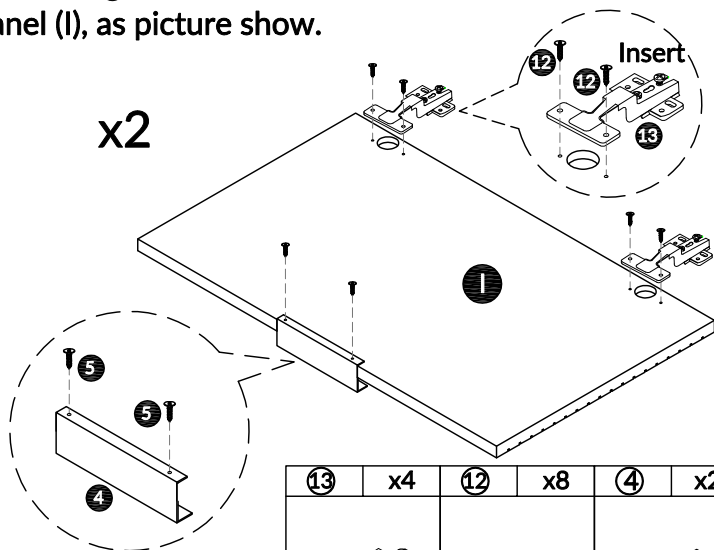
## Step 10

Attach panel (F) to it.



## Step 11

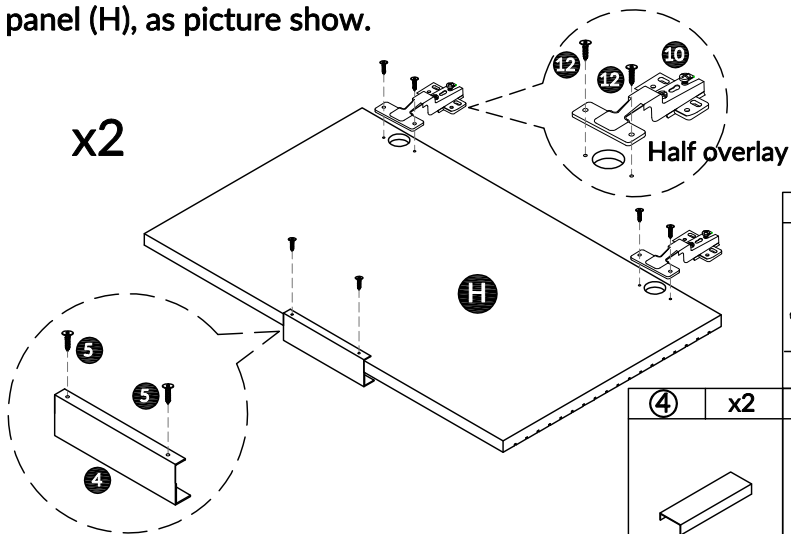
Install hinges 13 use screw 12 and handles 4 use screw 5 on the door panel (I), as picture show.



⑬	x4	⑫	x8	④	x2	⑤	x4	⑥	x1
Insert		M4x16mm				M3x12mm			

## Step 12

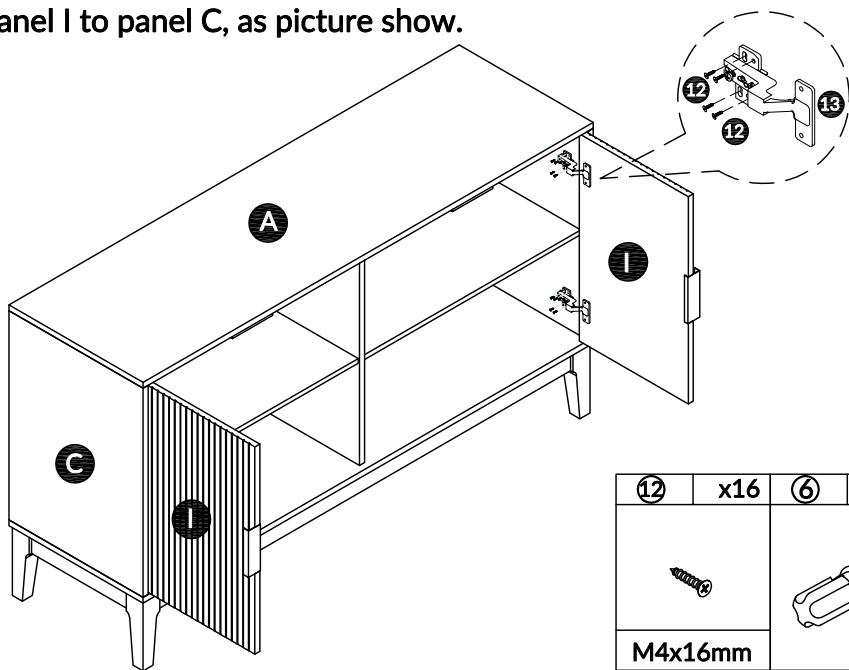
Install hinges 10 use screw 12 and handles 4 use screw 5 on the door panel (H), as picture show.


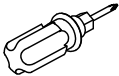


⑩	x4	⑫	x8	④	x2	⑤	x4	⑥	x1
Half overlay		M4x16mm				M3x12mm			

### Step 13

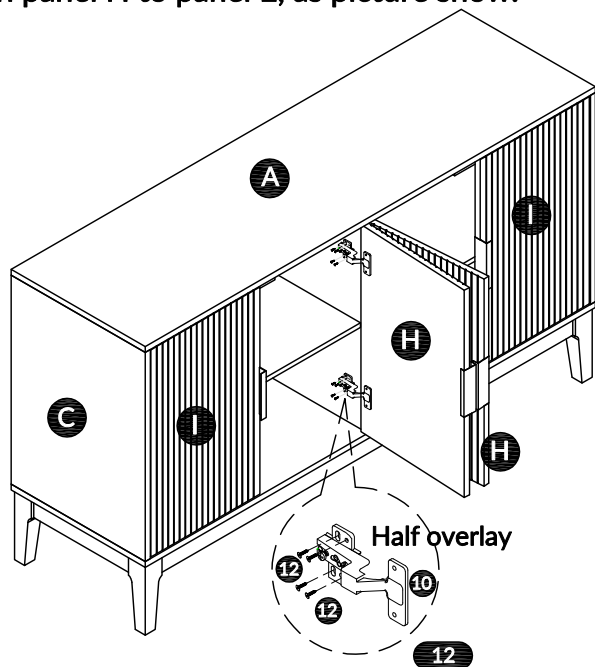
Attach panel I to panel C, as picture show.


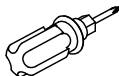


12	x16	6	x1
			
M4x16mm			

### Step 14

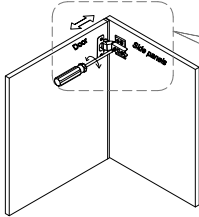
Attach panel H to panel E, as picture show.



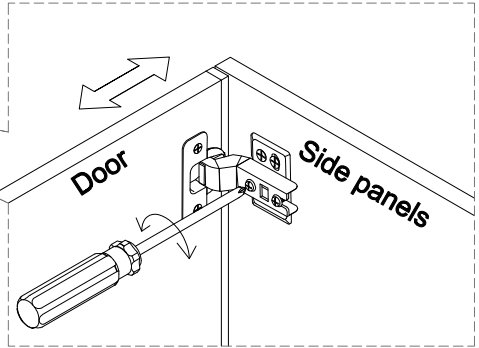
12	x16	6	x1
			
M3.5x14mm			

# Door Hinge Adjustment Instructions

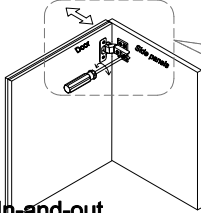
Concealed hinges are three-way adjustable:



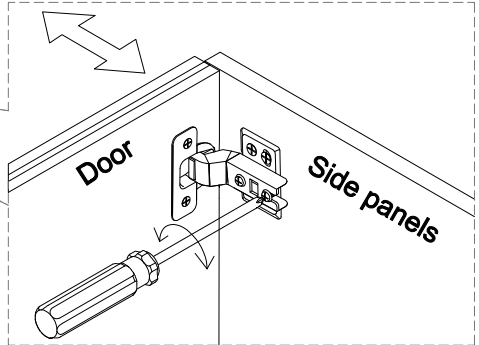
Horizontal  
by screw adjustment!



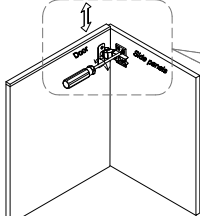
Concealed hinges are three-way adjustable:



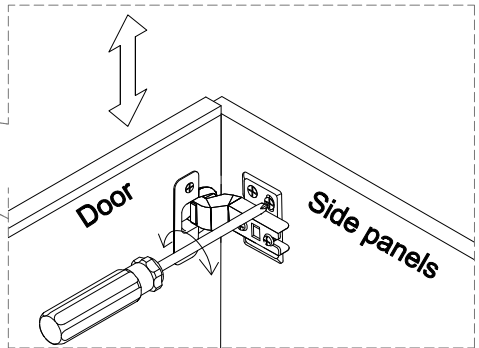
In-and-out  
by loosening the hinge arm  
mounting screw or via cam  
adjustment!



Concealed hinges are three-way adjustable:

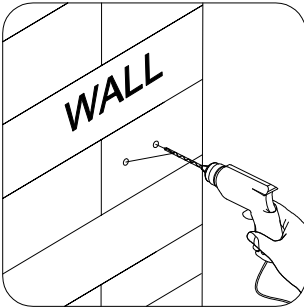
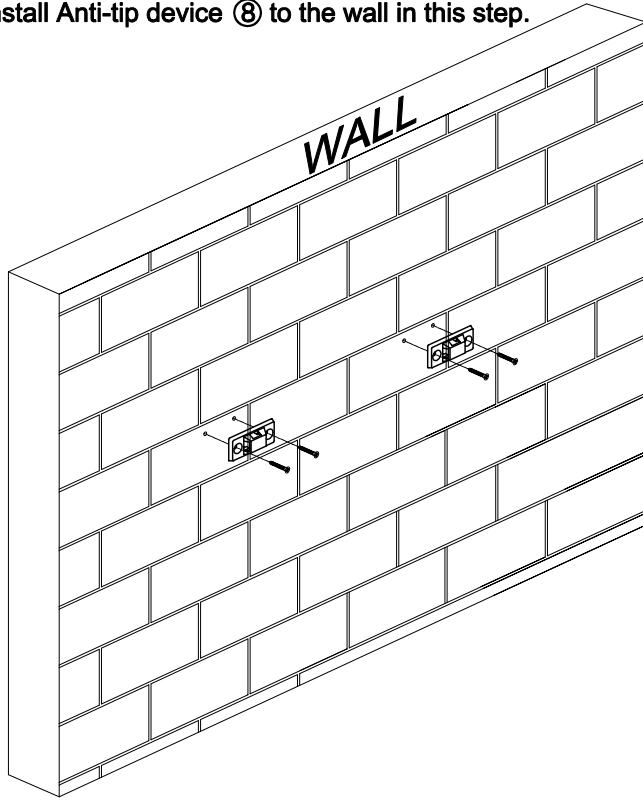


Vertical via slots in  
the mounting plate  
or via cam adjustment!

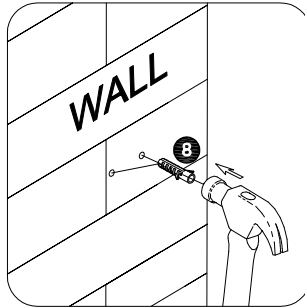


# Step 15

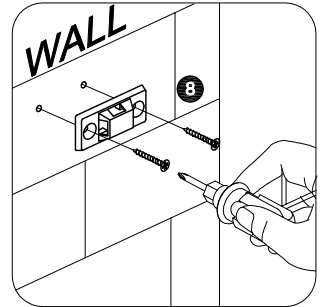
Install Anti-tip device ⑧ to the wall in this step.






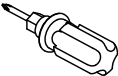
1. Drill a hole in the wall with an electric drill.



2. Tap the plastic wall anchor into the hole with a hammer.



3. Secure the Anti-tip device to the wall with screws

	⑧ x2		⑥ x1
	D4x39mm		

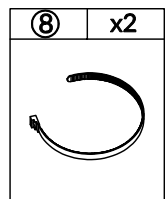
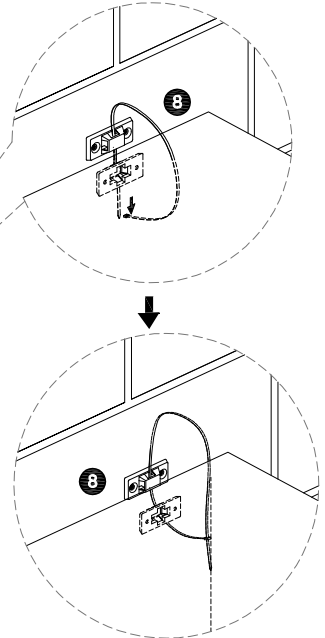
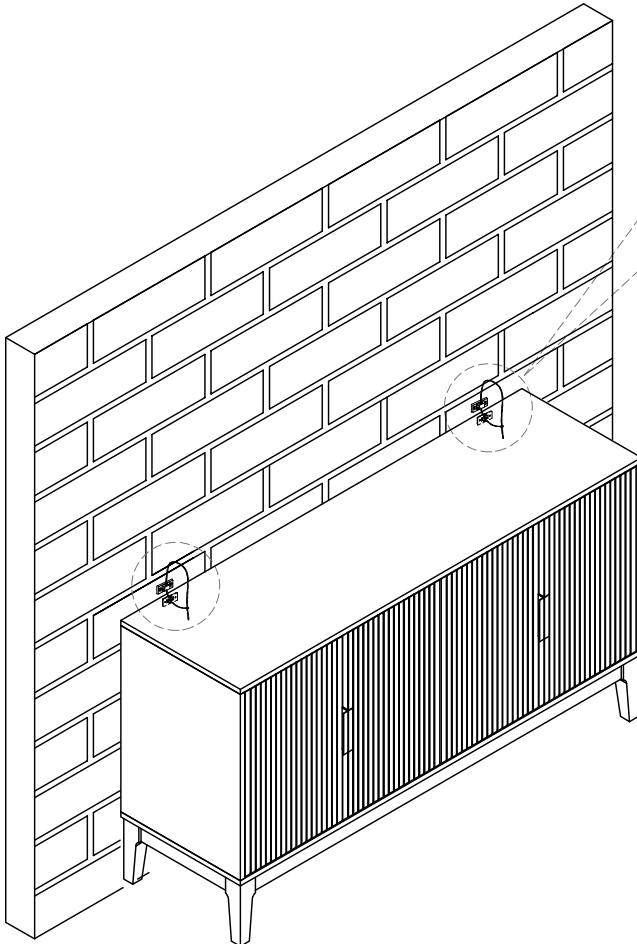
## Step 16

### WARNING

**Children have died from furniture tipover.**

**To reduce the risk of furniture tipover:**

- ALWAYS install Anti-tip device provided.
- For use with televisions weighing 35 lb or less. Use with heavier televisions may result in instability causing tip-over resulting in death or serious injury.
- NEVER allow children to stand, climb or hang on drawers, doors, or shelves.
- NEVER open more than one drawer at a time.
- Place heaviest items in the lowest drawers.



# WARRANTY

- We strive to offer quality products, and we also try our best to satisfy every customer who orders from us with products or services as needed.
- Replacement parts can be purchased from our company if available.
- For returns, please check the return policy with the retailer or marketplace where you purchased the item.