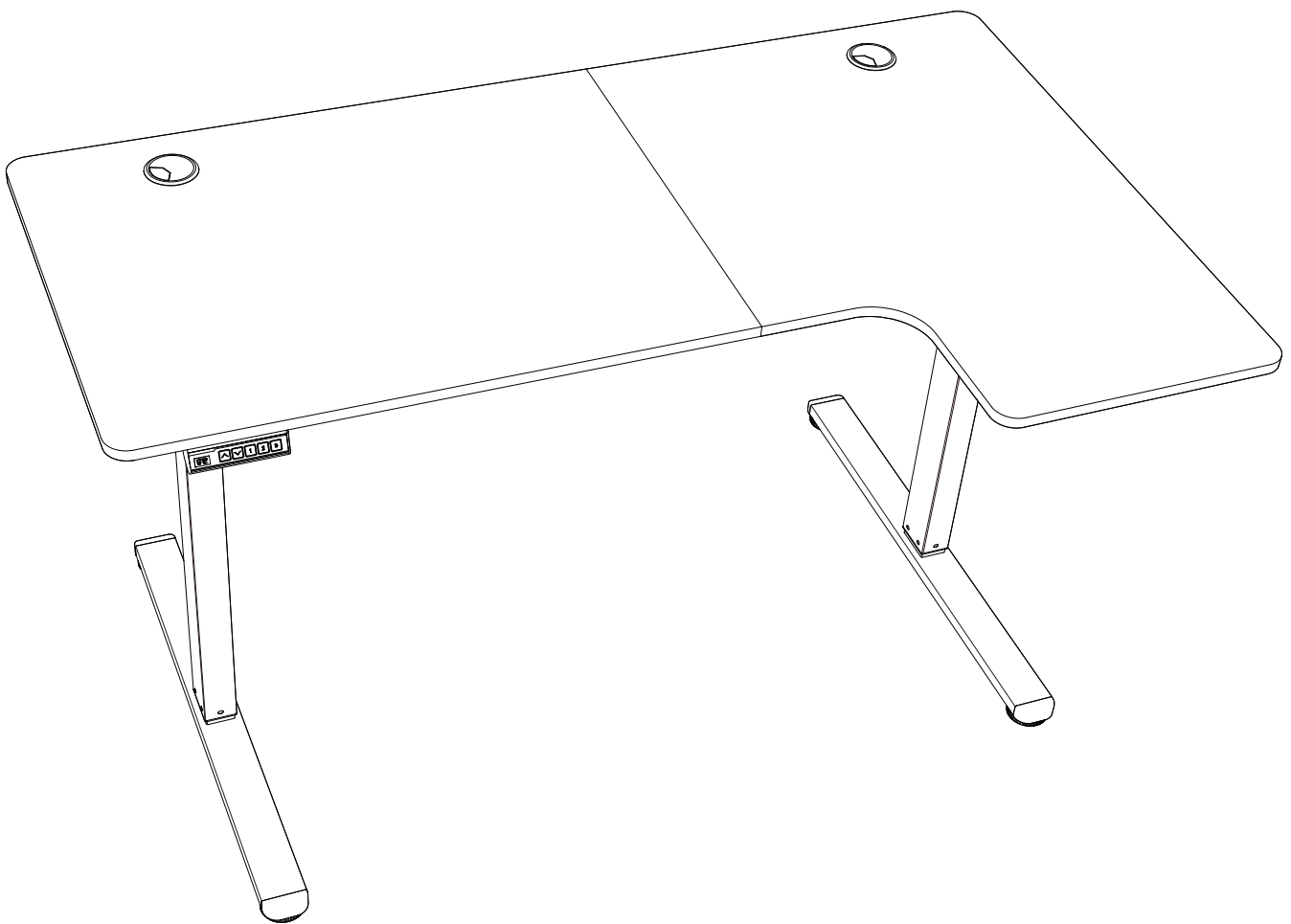


OHOHOLIVE

Electric Standing Desk

Model:SD11-55A&55B

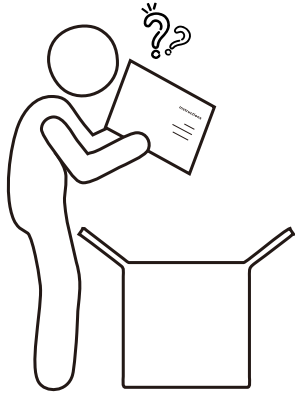


Contact info

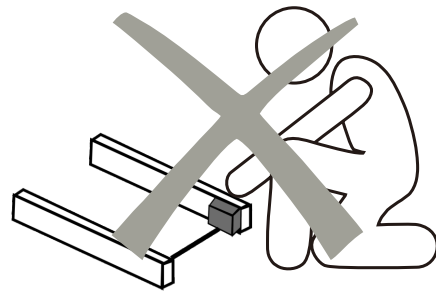
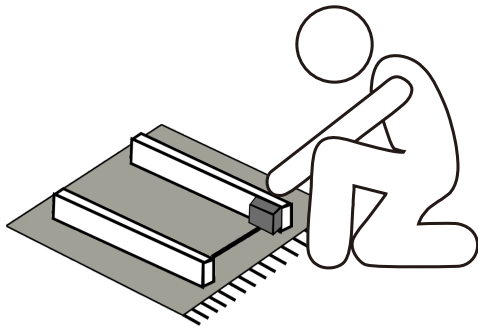
Email: OHOHOLIVE_VipService@outlook.com

Generally Guidelines

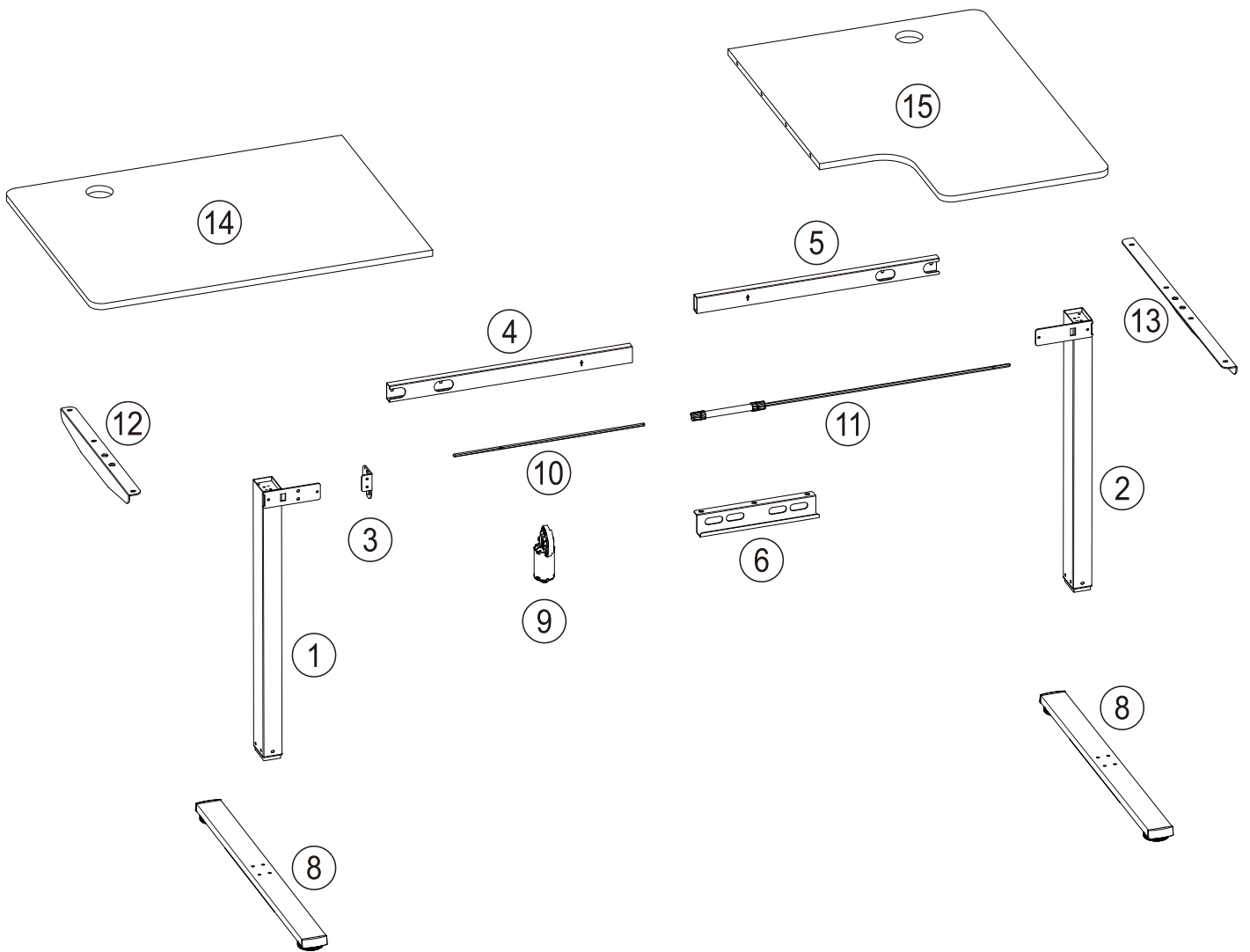
Before assembling, please check whether all the spare parts are complete or damaged, if there is a lack of contact after-sales processing.



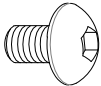
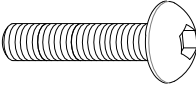
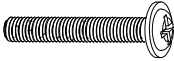
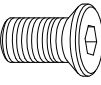
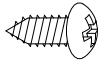


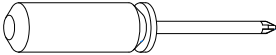




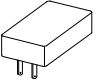

Prior to installation, we recommend placing a cloth underneath the product to protect the floor and the product.



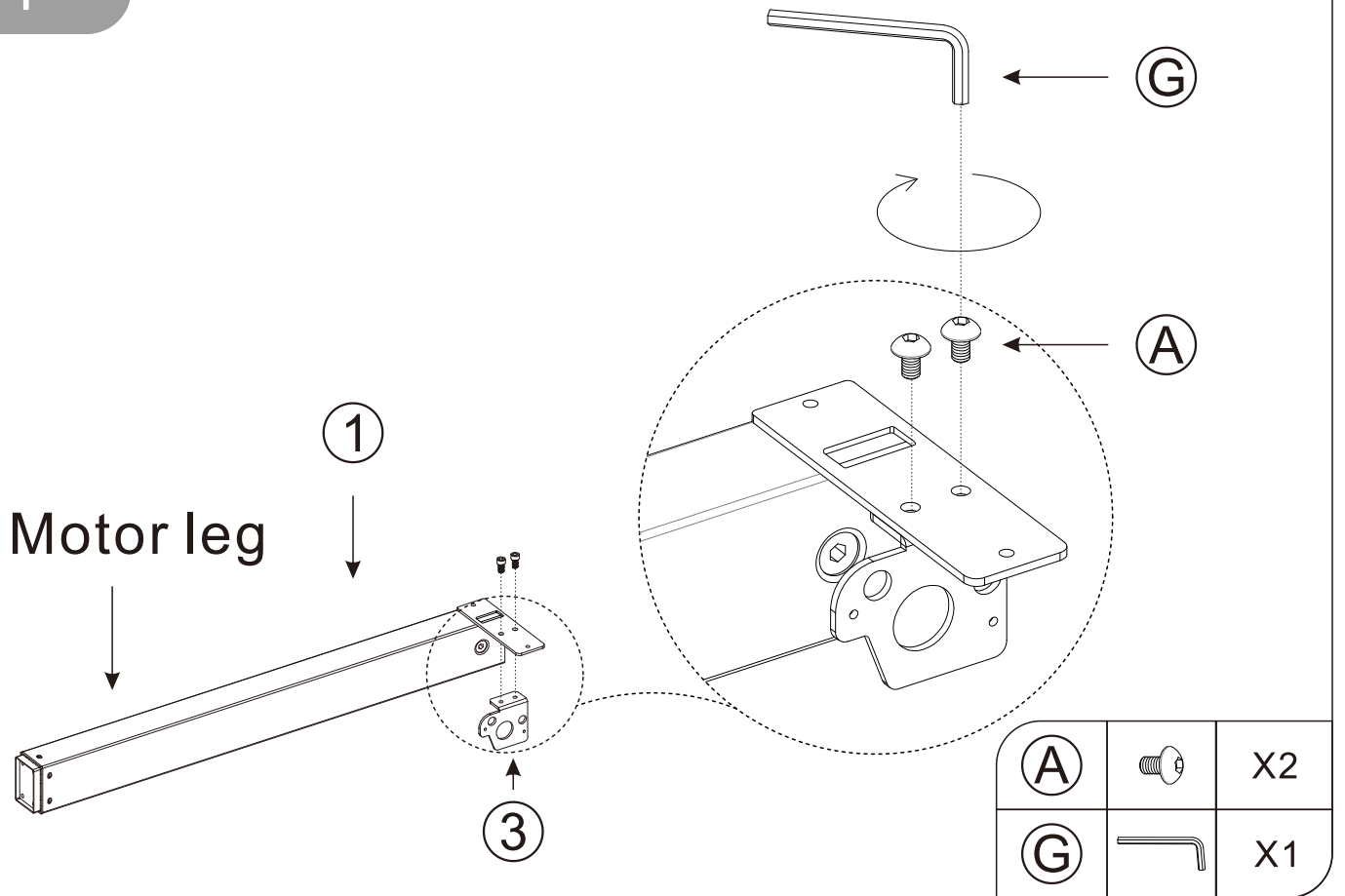
Components Identification



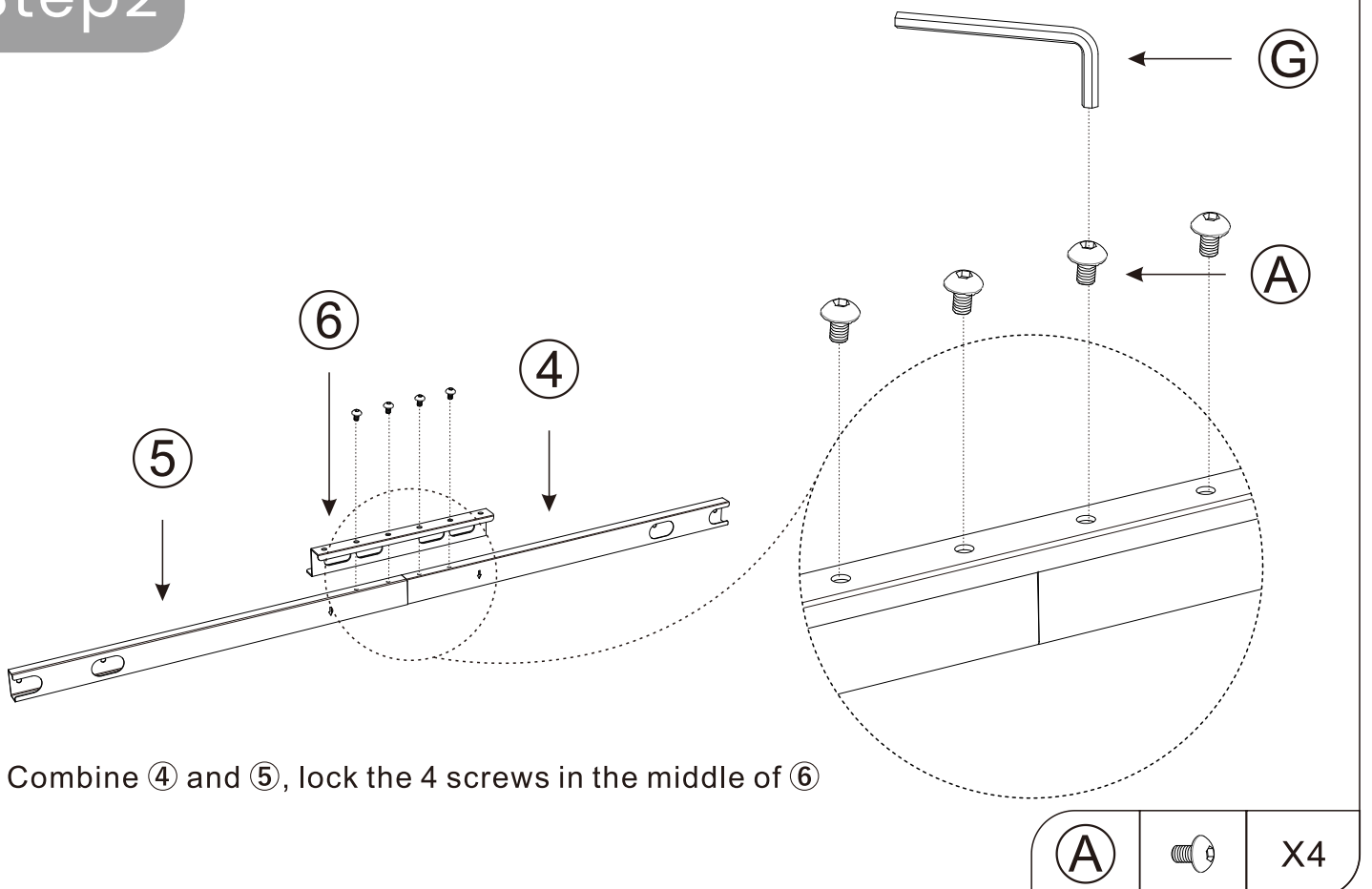
Hardware Identification

A		M6*12mm	28pcs
B		M6*35mm	8pcs
C		M4*25mm	2pcs
D		M6*16mm	4pcs
E		ST4.8*14	6pcs
F		Dowel	4pcs
G		M5	1pcs
H		Phillips Screwdriver	1pcs
I		Cable Ties	3pcs
J		Fastener	2pcs
K		Threading Crover	2pcs
L		Hooks	2pcs
M		Power	1pcs
N		Controller	1pcs

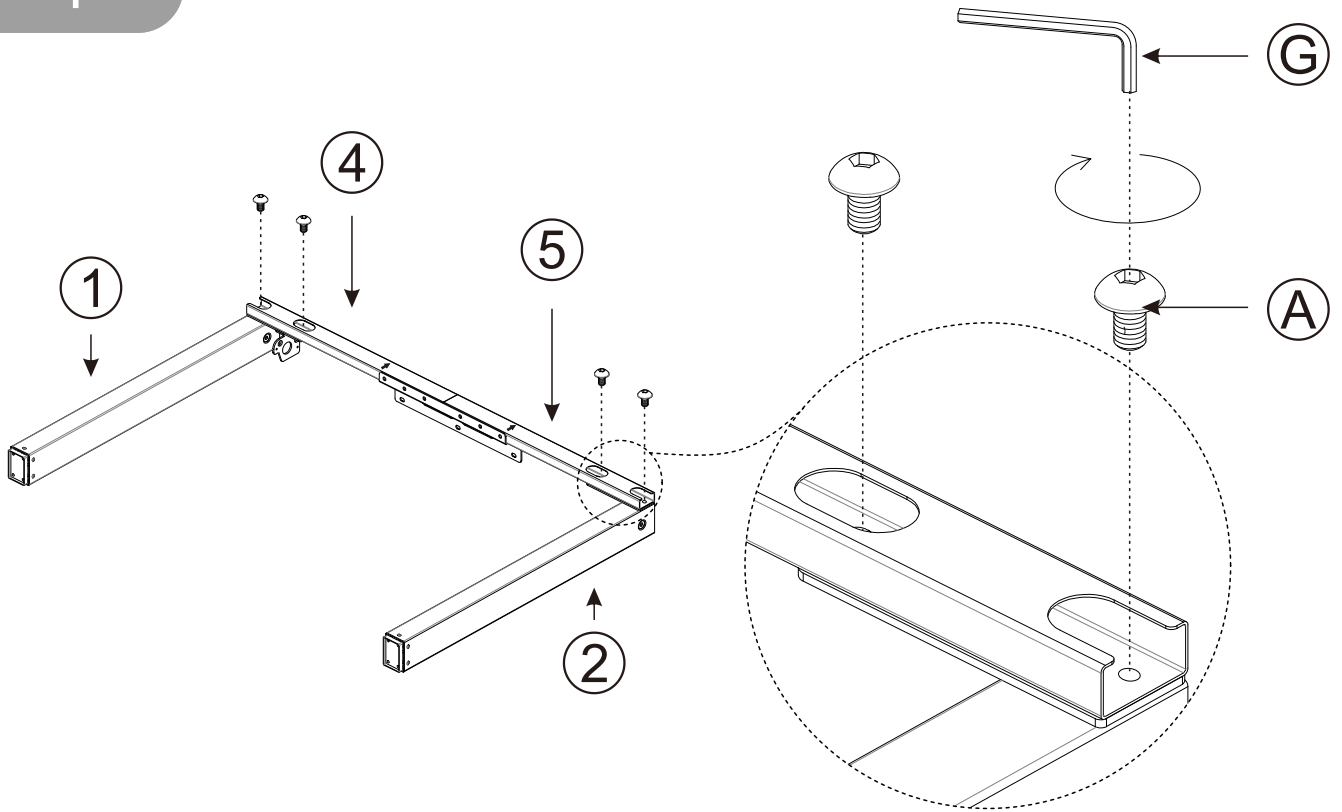
Step1



Step2



Step3

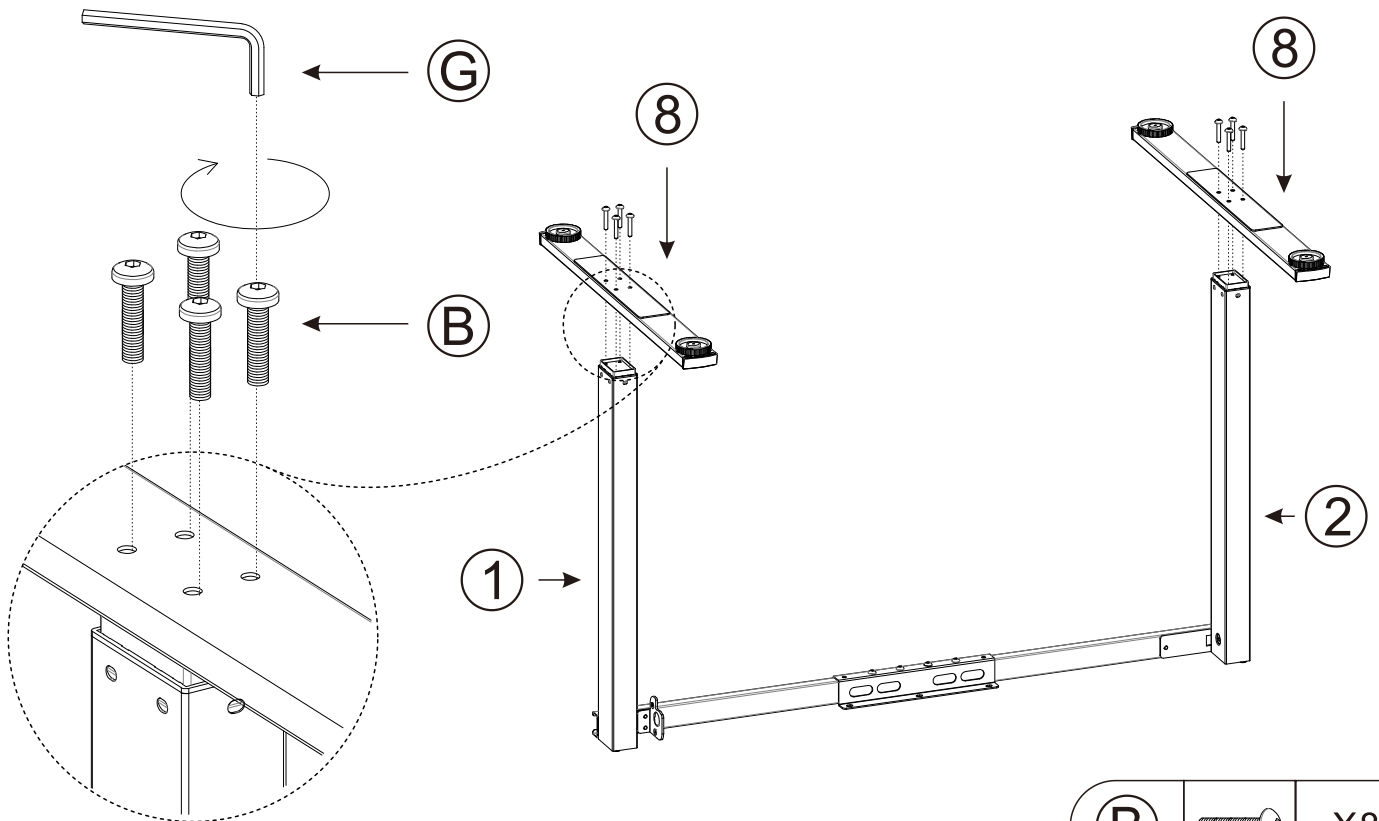


(A)



X4

Step4



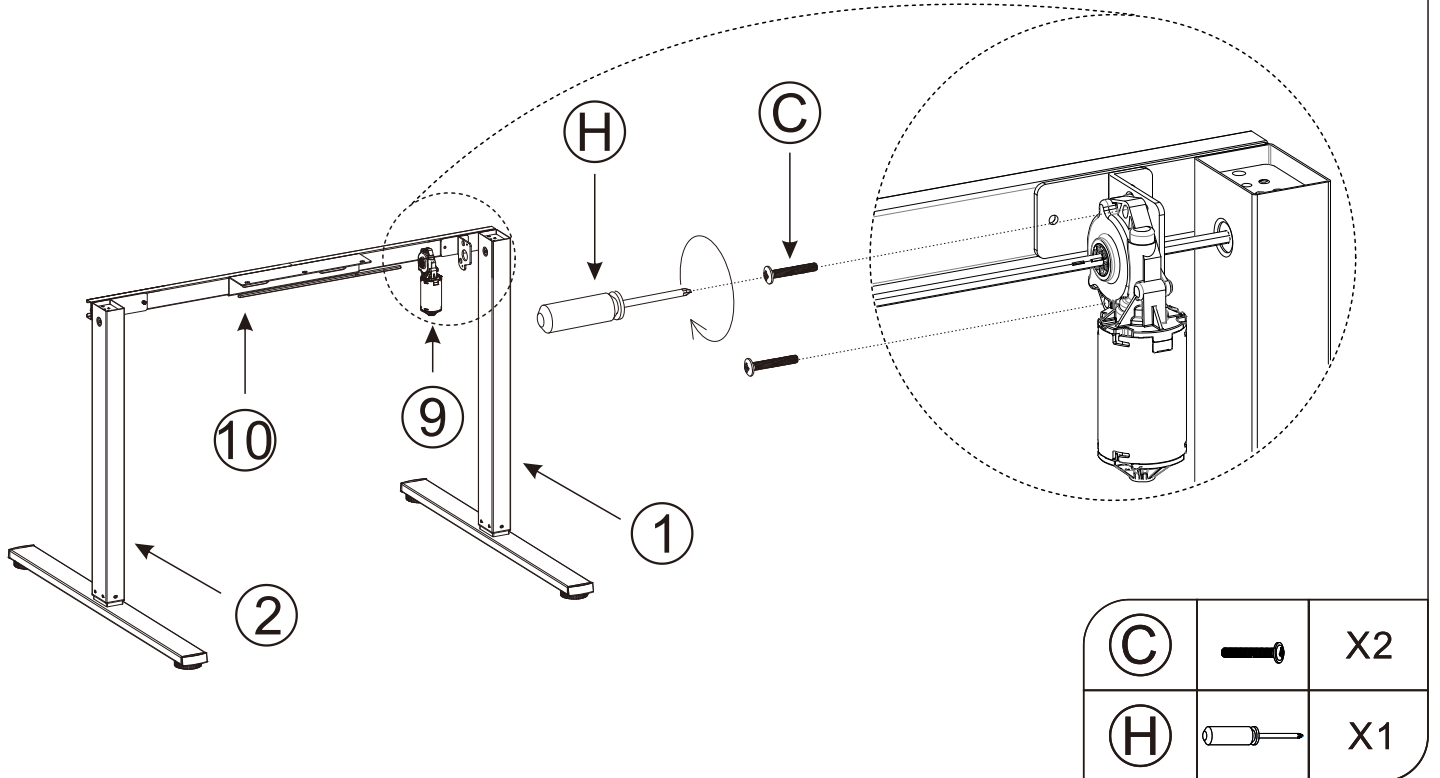
(B)



X8

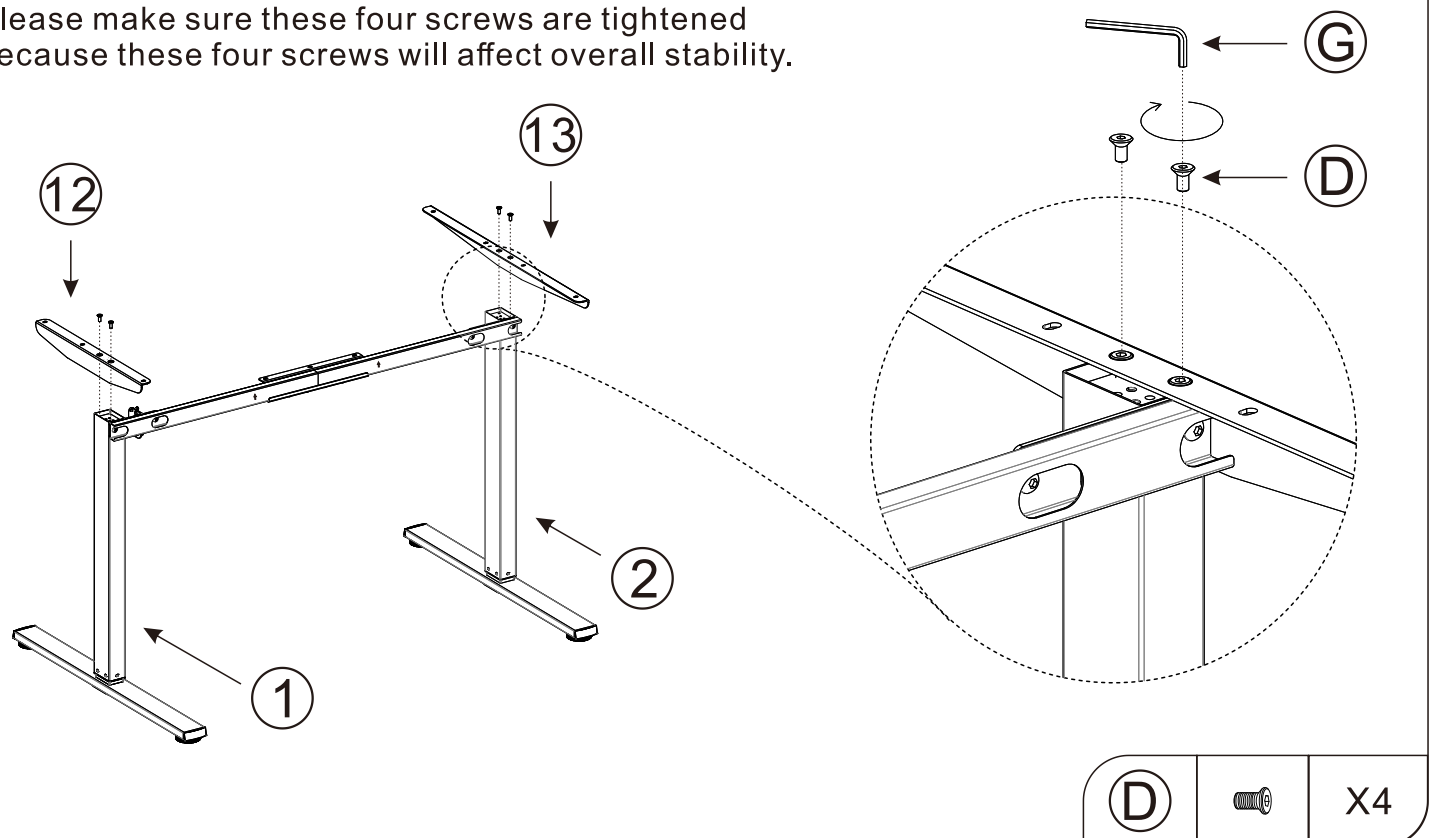
Step 5

When the holes cannot be aligned, you can turn the motor appropriately or lift the outer tube of the column a little.

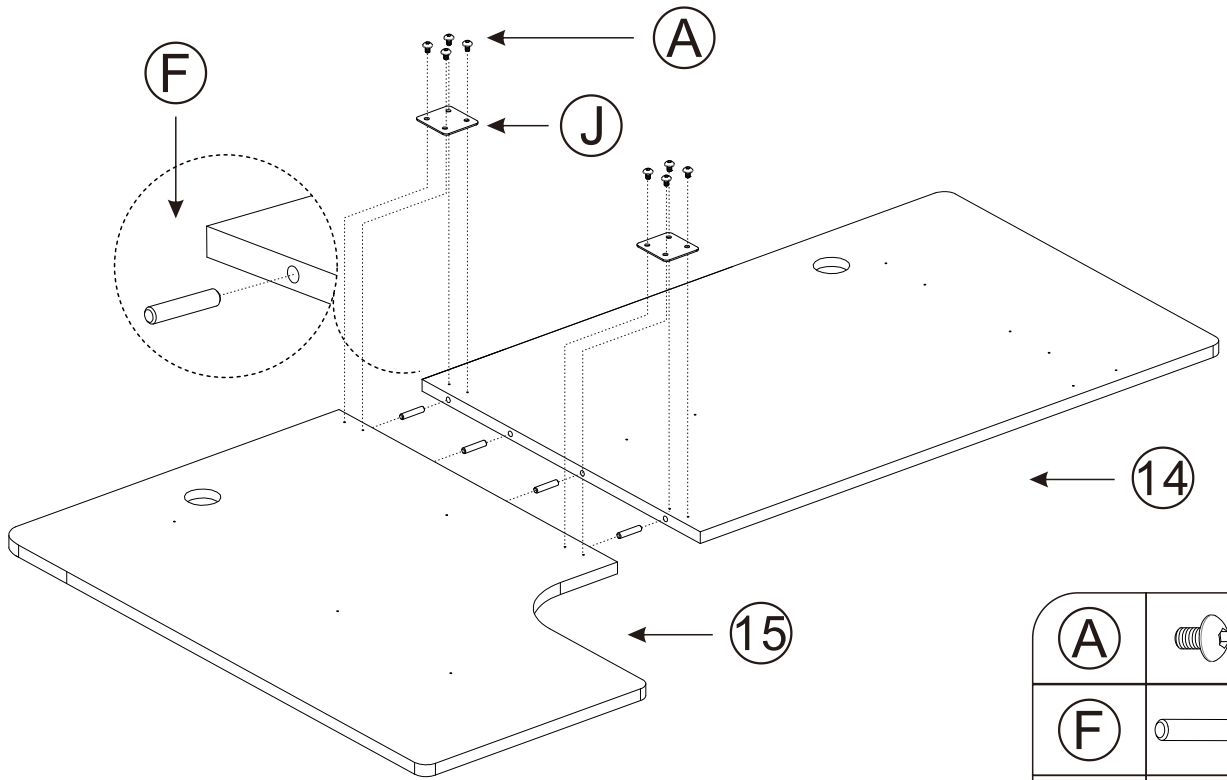


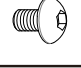
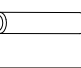

Step 6

Please make sure these four screws are tightened because these four screws will affect overall stability.

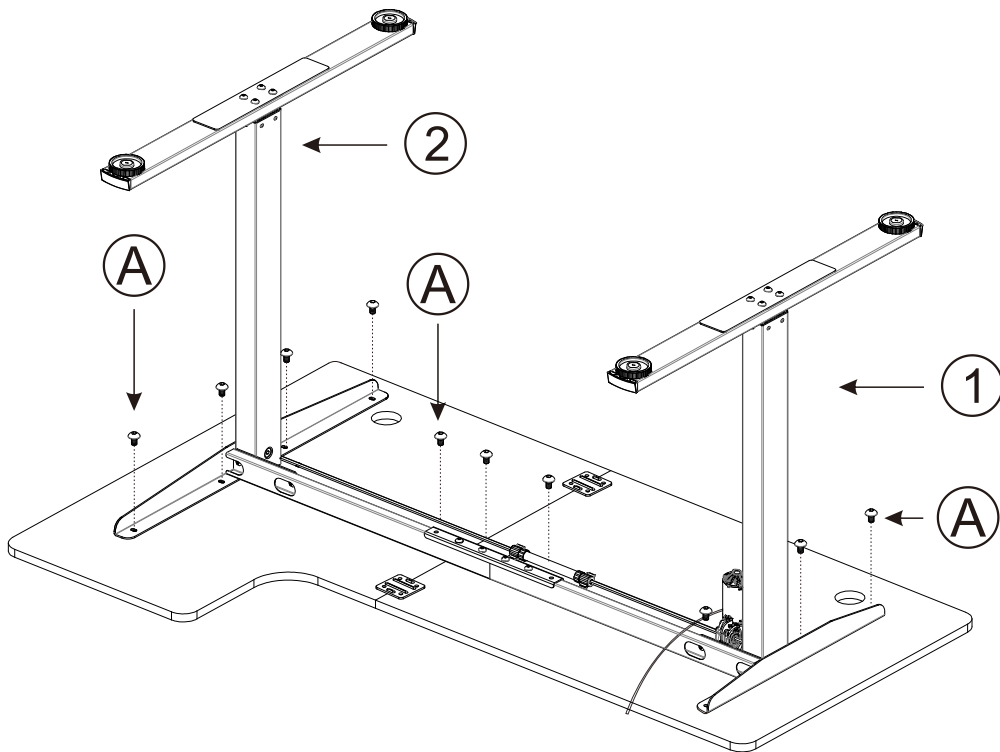


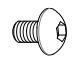
Step 7



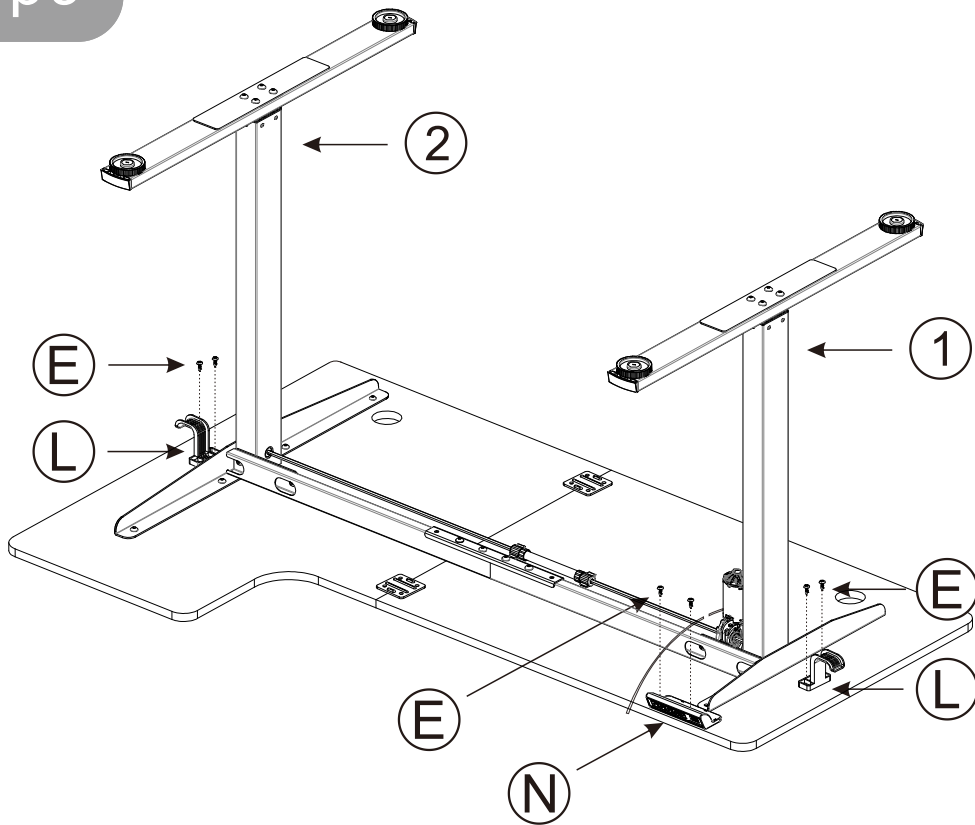
(A)		X8
(F)		X4
(J)		X2




Step 8



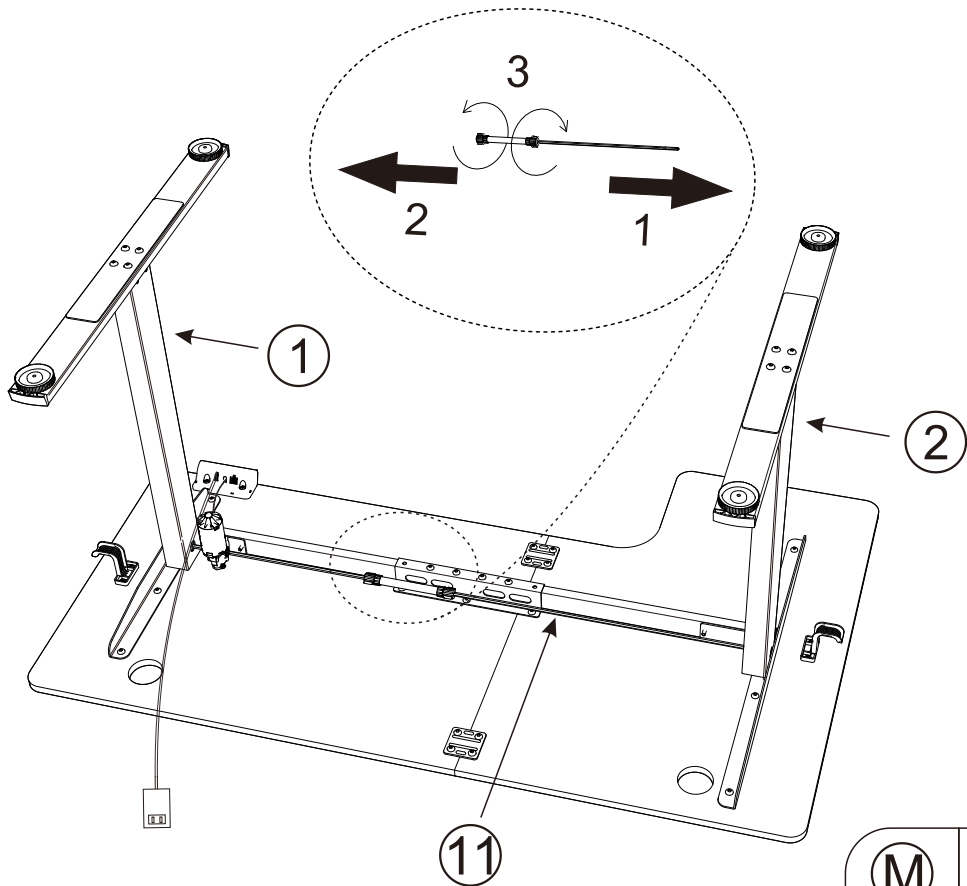
(A)		X10
-----	---	-----


Step 9



(E)		X6
(L)		X2
(N)		X1

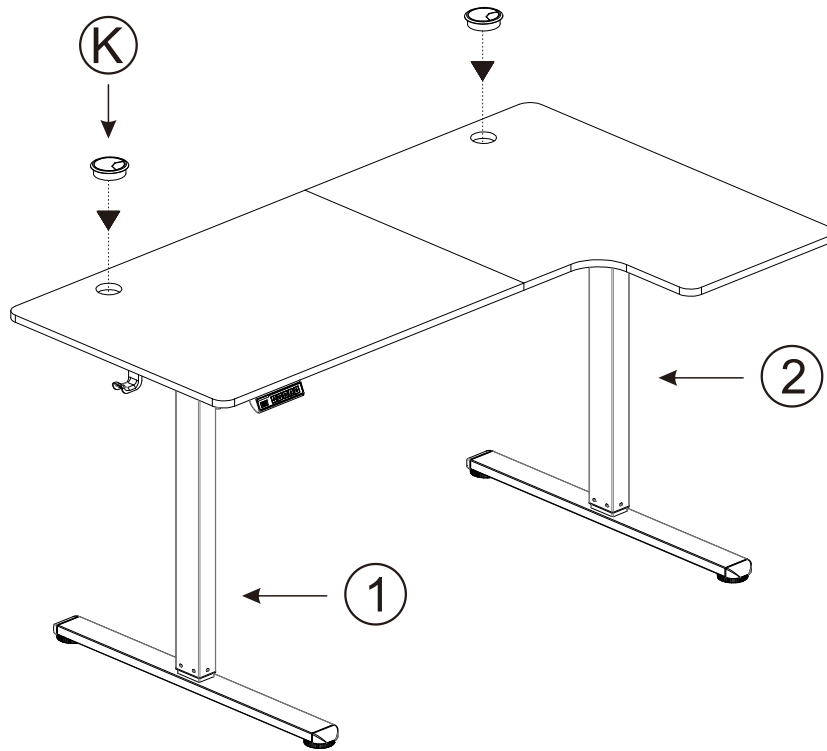
Step 10




(M)		X1
-----	---	----

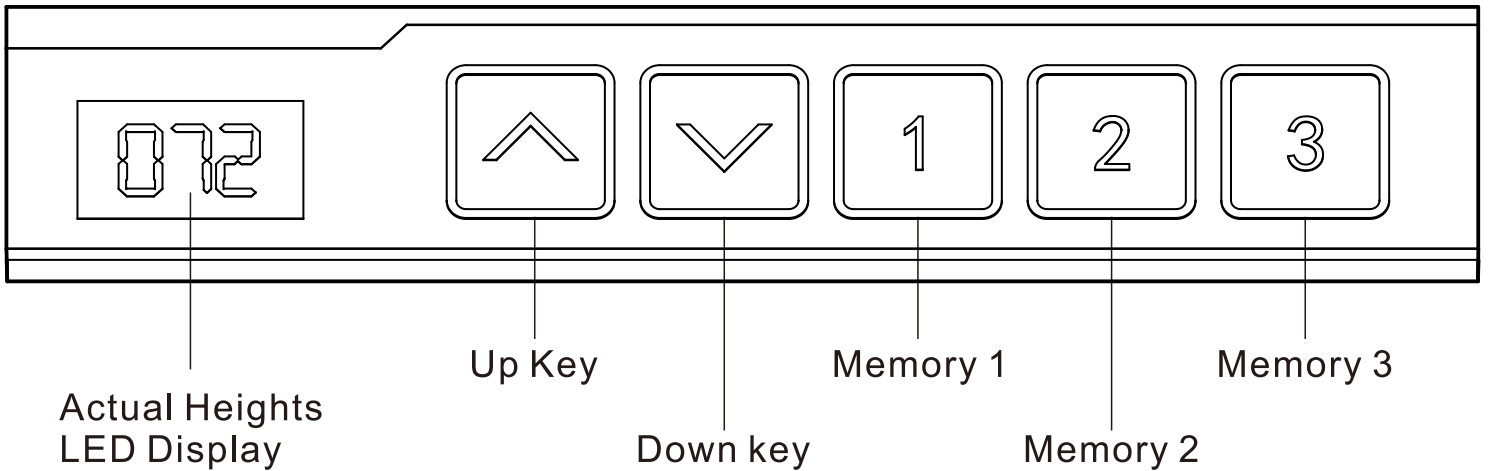
Step 11

The first step after the Standing desk is assembled, please reset it through the controller first.



K		X1
---	---	----

Controller Guidelines



<p>Initialization Operation/Reset</p>	<p>When using it for the first time, or when "E10, E20" is displayed, press the "↓" key 3 seconds, display "Res" and release it. The standing desk starts to run down to the bottom and rebounds. After reset is completed, the lowest height is displayed.</p>
<p>Raise the Desk</p>	<p>Press the "↑" button, the desktop upward run, until reach the highest pointion or the button is released.</p>
<p>Lower the Desk</p>	<p>Press the "↓" button, the desktop run down, until reach the lowest position or the button is released.</p>
<p>Store Position</p>	<p>In the height display interface, if you hold the numeric key for more than 2 seconds, you can record the current height to the corresponding position.</p>
<p>Select Height Setting</p>	<p>In the height display interface, press the numeric key for a short time to release it, and the corresponding height will be called. The lifting and lowering will automatically run to the corresponding position.</p>

Error Code Guidelines

Error	Instructions	How to solve it
E10	Motor abnormality	Check moter line and reset
E20	Overload protection	Reduce the load
E02	Desktop encounters blockage	Remove obstacles and reset
Hot	Long run	Wait for 15 minutes or re-plug
E31	Voltage low	Check the power connection
E32	Voltage High	Check the power connection

If you have any problems installing or using your standing desk, do not hesitate to contact us.

Email: ***OHOHOLIVE_VipService@outlook.com***