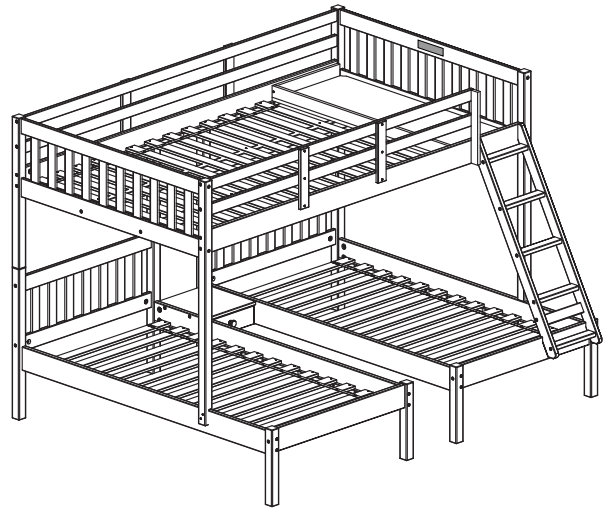


ASSEMBLY INSTRUCTIONS

Thank you for purchasing this quality product. Be sure to check all packing materials carefully for small parts which may have come loose inside the carton during shipment. Separate, identify and count all parts and hardware. Compare with the parts list to be sure all parts are present.



**“DO NOT TIGHTEN SCREWS
UNTIL COMPLETELY ASSEMBLED”**

SIZE OF MATTRESS AND FOUNDATION (SUPPORT)

This bed is designed to use a twin mattress (37 ½”- 38 ½” x 74 - 75”) and bunkie board (37 ½ “ x 74”) low bed is designed to use a full mattress (53 ½”- 54 ½”- 54 ½” x 74”- 75”) and bunkie board 53 ½”-74”.

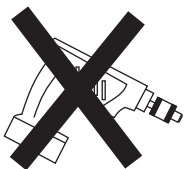
Note: There must be at least **5”** inches from top surface of mattress to top edge or guardrails.

REPLACEMENT PARTS.

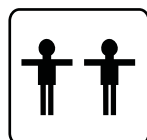
Replacement parts, including additional guardrails, may be obtained from place of purchase or original distributor.

SAFETY WARNINGS!

- 1- Follow the information on the warning label appearing on the upper bunk end structure and on the carton. Do not remove warning label from bed.
- 2- Always use the recommended size mattress or mattress support, or both, to help prevent the likelihood of entrapment or falls.
- 3- Surface of mattress must be at least 5 inches below the upper edge of guardrails.
- 4- Do not allow children under 6 years of age to use the upper bunk.
- 5- Prohibit more than one person on upper bunk.
- 6- Periodically check and ensure that the guardrail, ladder and other components are in their proper position free from damage, and that all connectors are tight.
- 7- Do not allow horseplay on or under the bed and prohibit jumping on the bed.
- 8- Always use the ladder for entering and leaving the upper bunk.
- 9- Do not use substitute parts. Contact distributor or dealer for replacement parts.
- 10- Use of a night light may provide added safety precaution for a child using the upper bunk.
- 11- If the bunk bed will be placed next to a wall, the guardrail that runs the full length of the bed should be placed against the wall to prevent entrapment between the bed and the wall.
- 12- Always use guardrails on both long sides of the upper bunk.
- 13- The use of water or sleep flotation mattresses is prohibited.
- 14- Keep these instructions for future reference.
- 15- Strangulation Hazard - Never attach or hang items to any part of the bunk bed that are not designed for use with the bed: for example, but not limited to, hooks, belts, and jump ropes, etc.



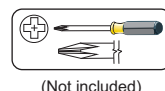
!
* Use of power tool to assemble this product will invalidate any claim and damage this product making unsafe !!!
* Please assemble on a clean soft surface to avoid damage.



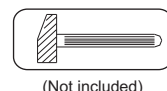
+



Tools Required



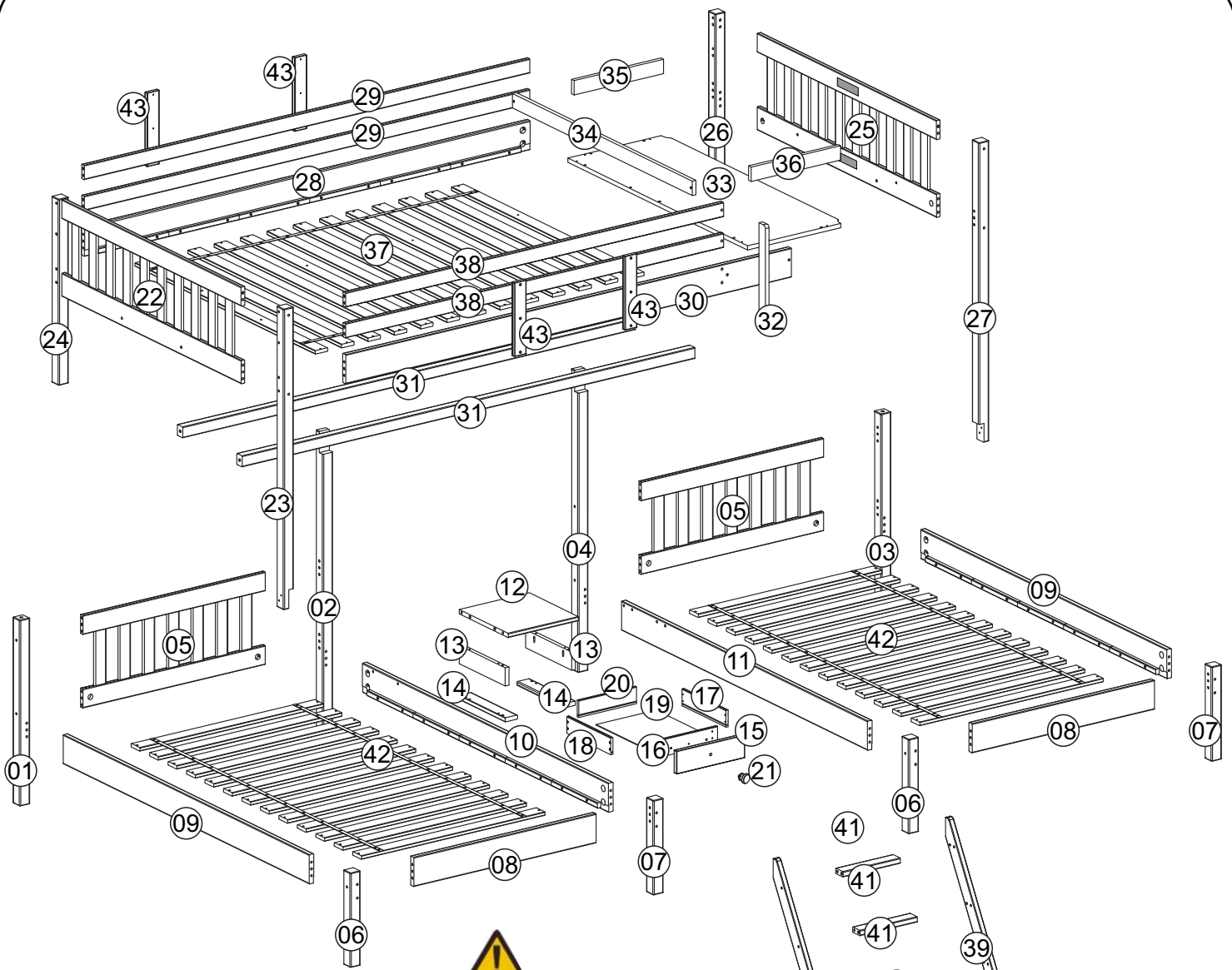
(Not included)



(Not included)

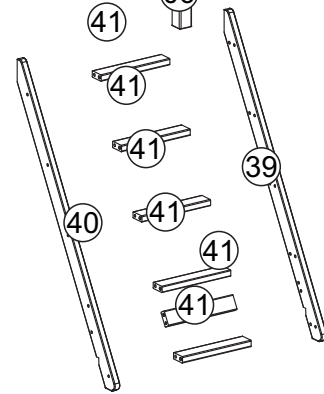


IMPORTANT: PLEASE READ INSTRUCTIONS BEFORE STARTING THE ASSEMBLY







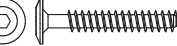

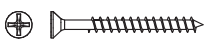


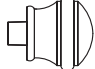

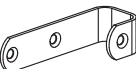





CAUTION!

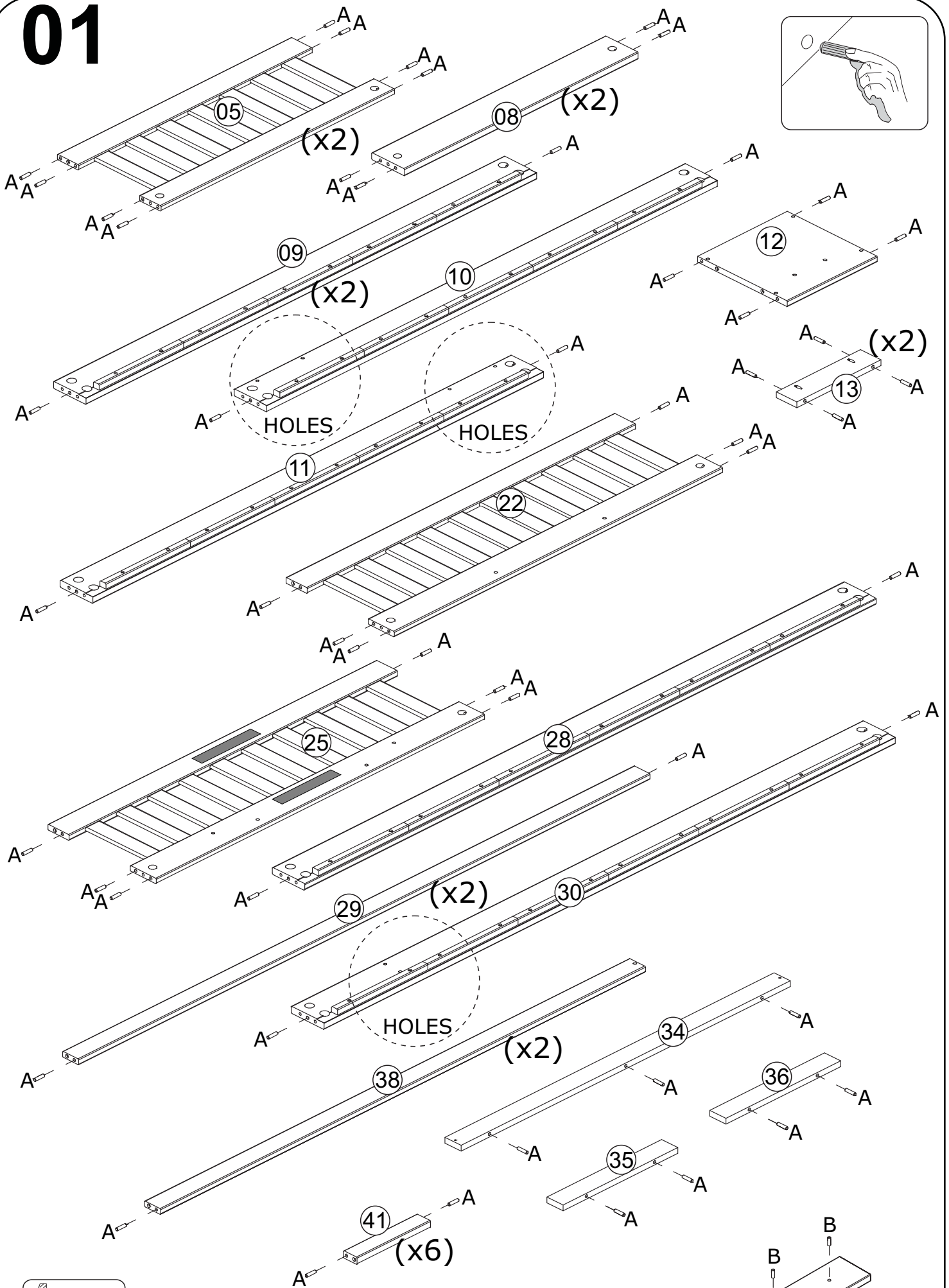
Please be careful when assembling this product due the parts are extremely heavy. Also, please do not allow kids around when assembling this bed to avoid injuries!



Identifying the Hardware—Identify the hardware using the illustrations below.

A  Qty 87	B  Qty 02	C  Qty 02
D  Qty 36	E  Qty 14	F  Qty 04
G  Qty 22	H  Qty 36	I  Qty 19
J  Qty 114	K  Qty 04	L  Qty 01
M  Qty 02	N  Qty 02	O  Qty 02
P  Qty 10	Q  Qty 02	

01



A



10 x 40 Wood Dowel

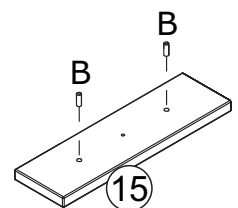
Qty
85

B



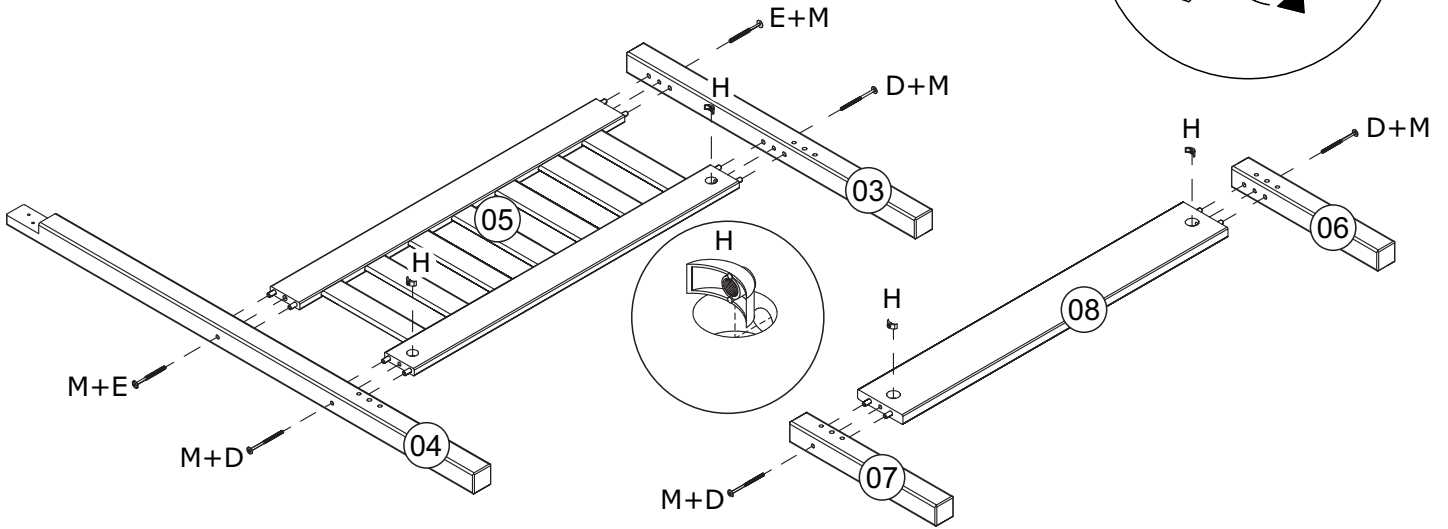
8 x 25 Wood Dowel

Qty
02

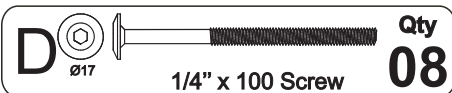
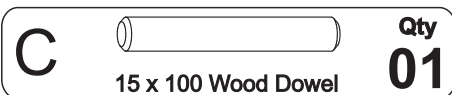
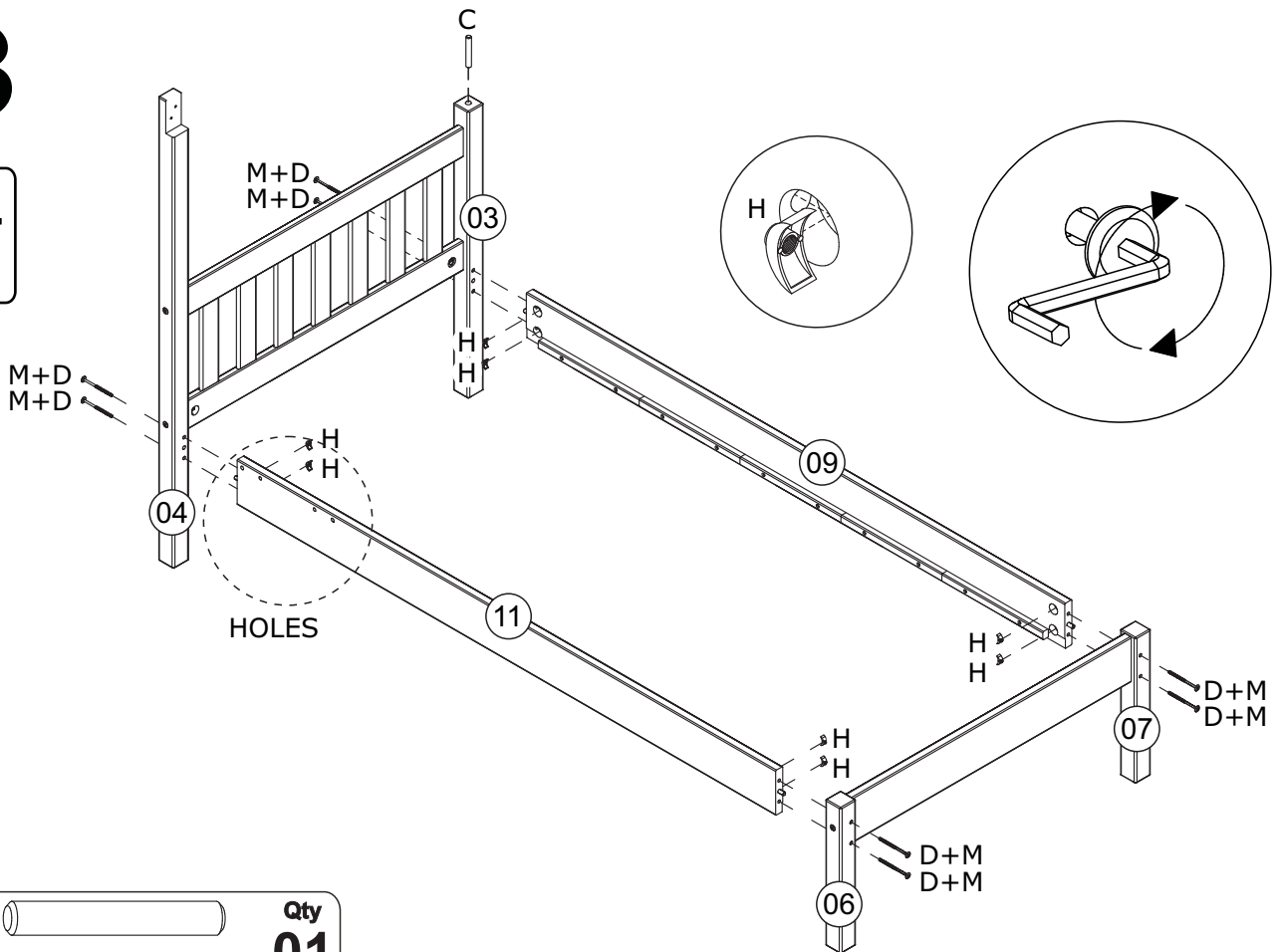


02

RIGHT BOTTOM BED

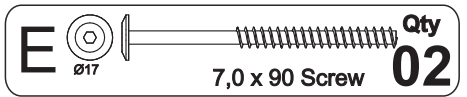
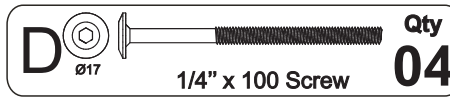
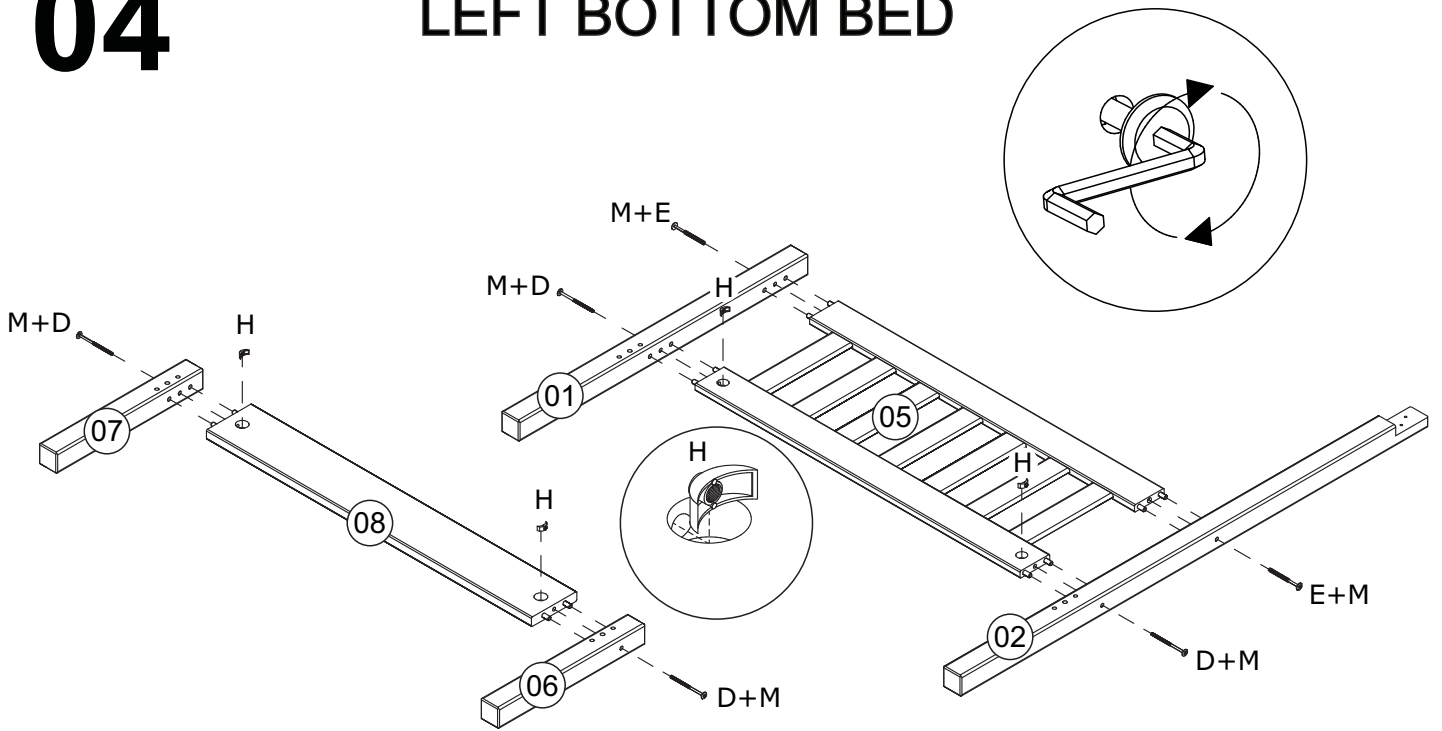


03

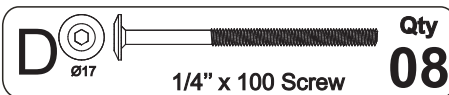
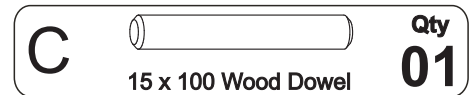
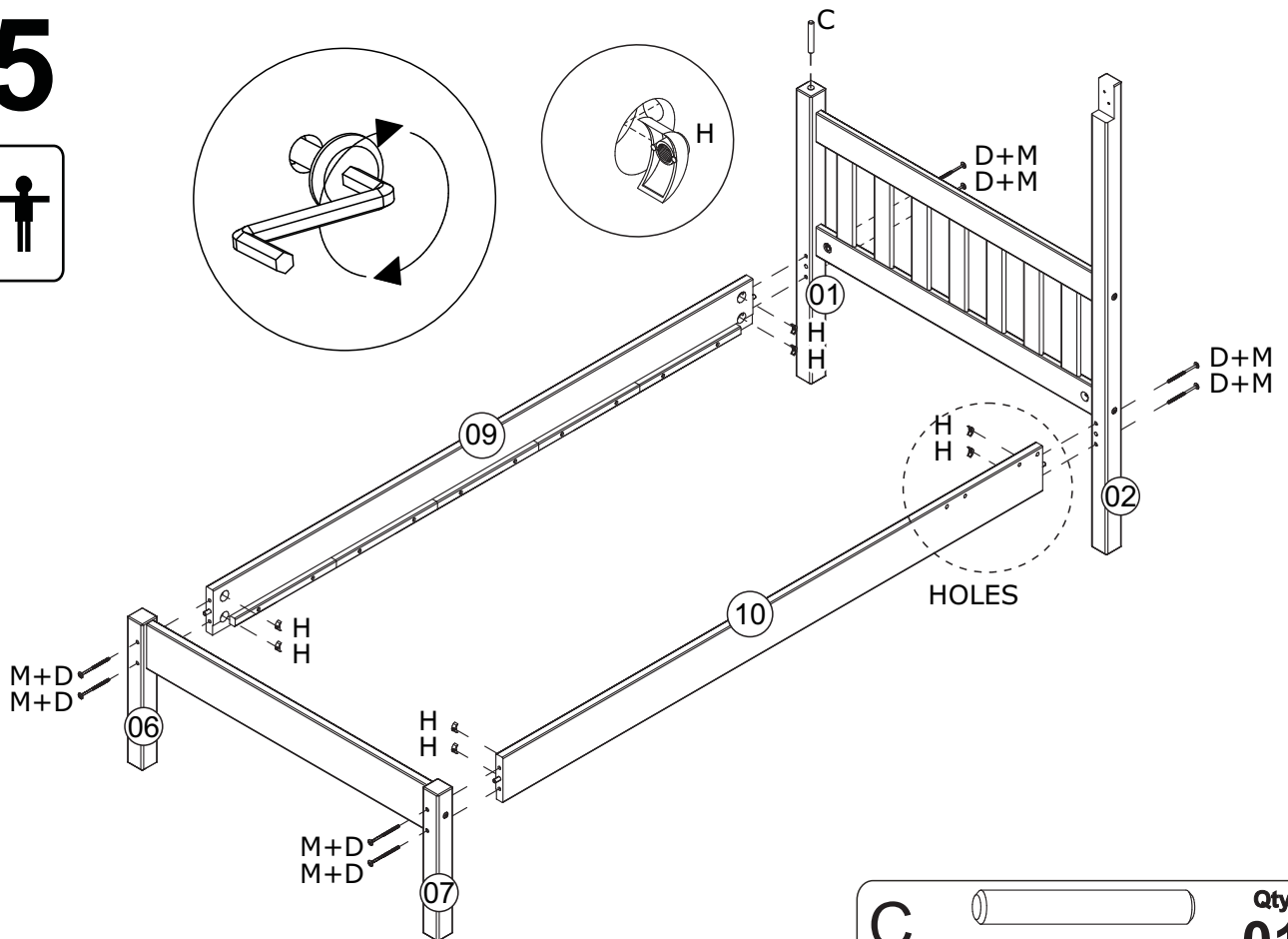


04

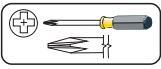
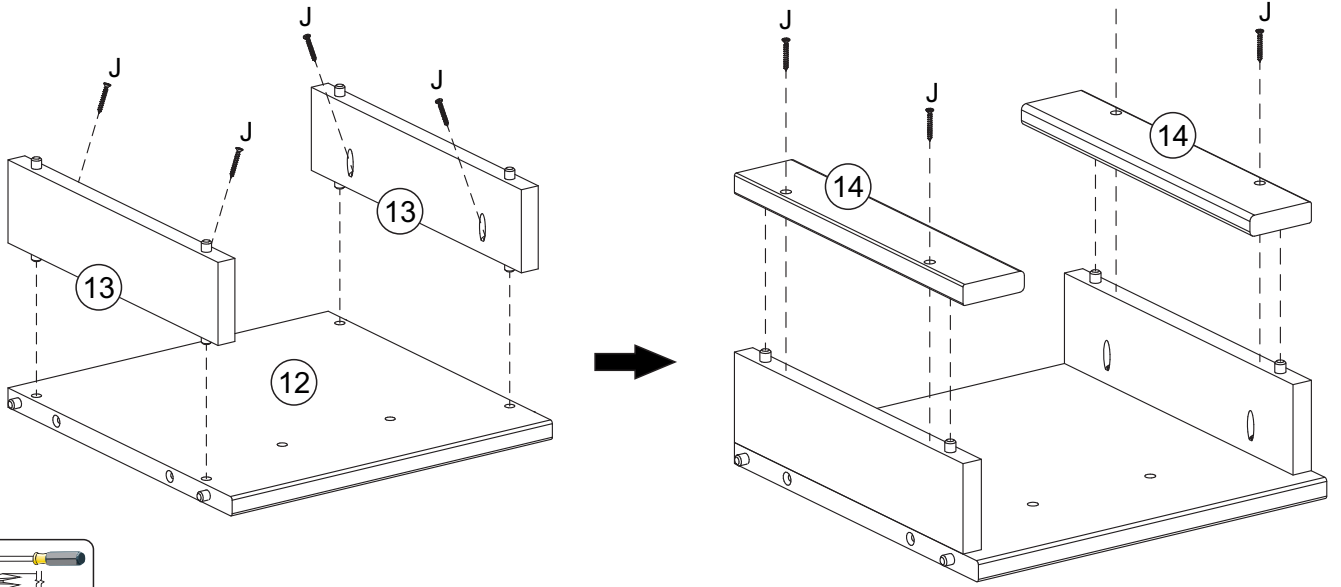
LEFT BOTTOM BED




05

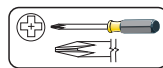
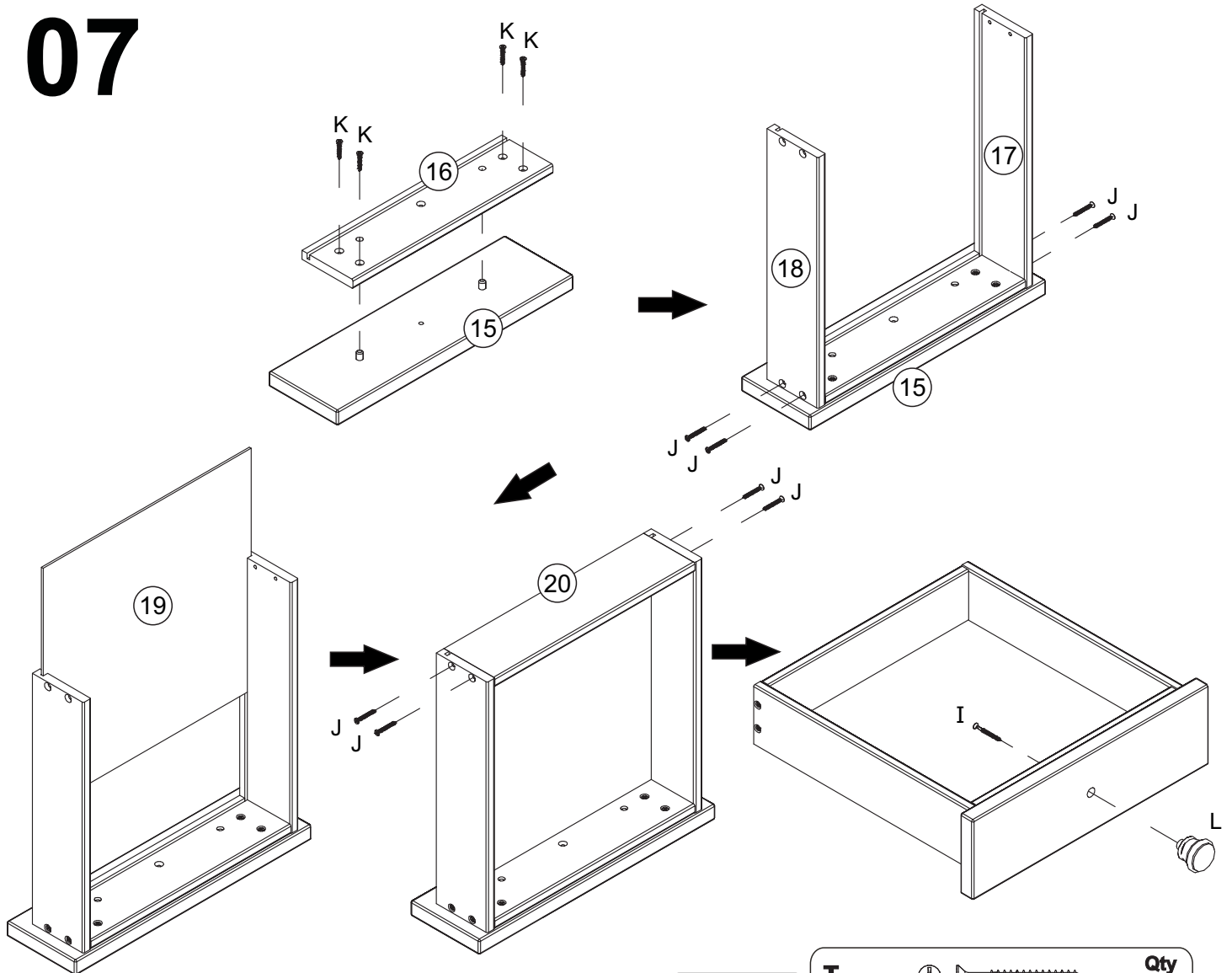



06

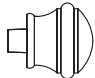



J  **4,0 x 30 Screw** Qty **08**


07



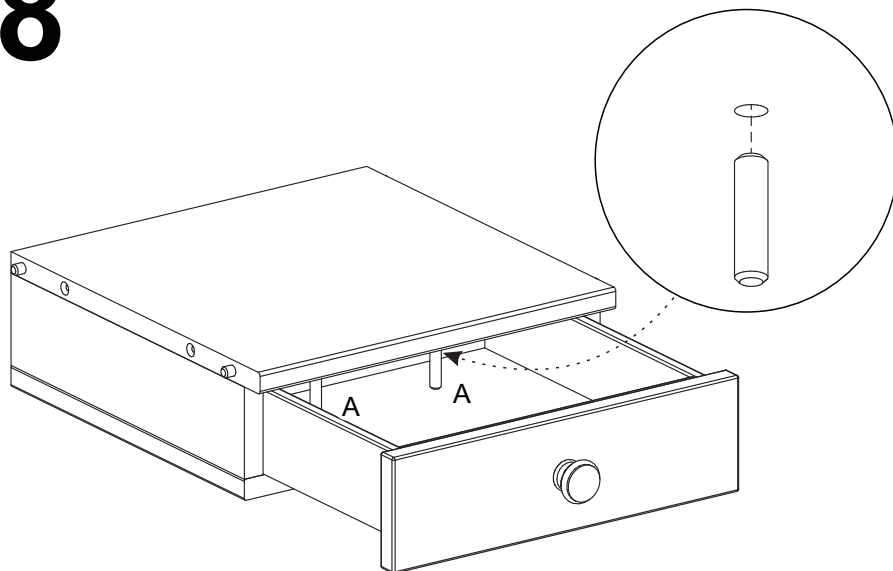
I  **4,0 x 40 Screw** Qty **01**

L  **Knob** Qty **01**

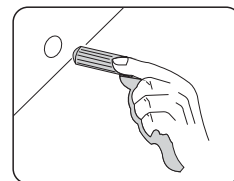
J  **4,0 x 30 Screw** Qty **08**

K  **4,0 x 25 Screw** Qty **04**

08

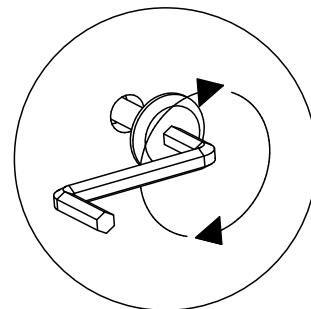
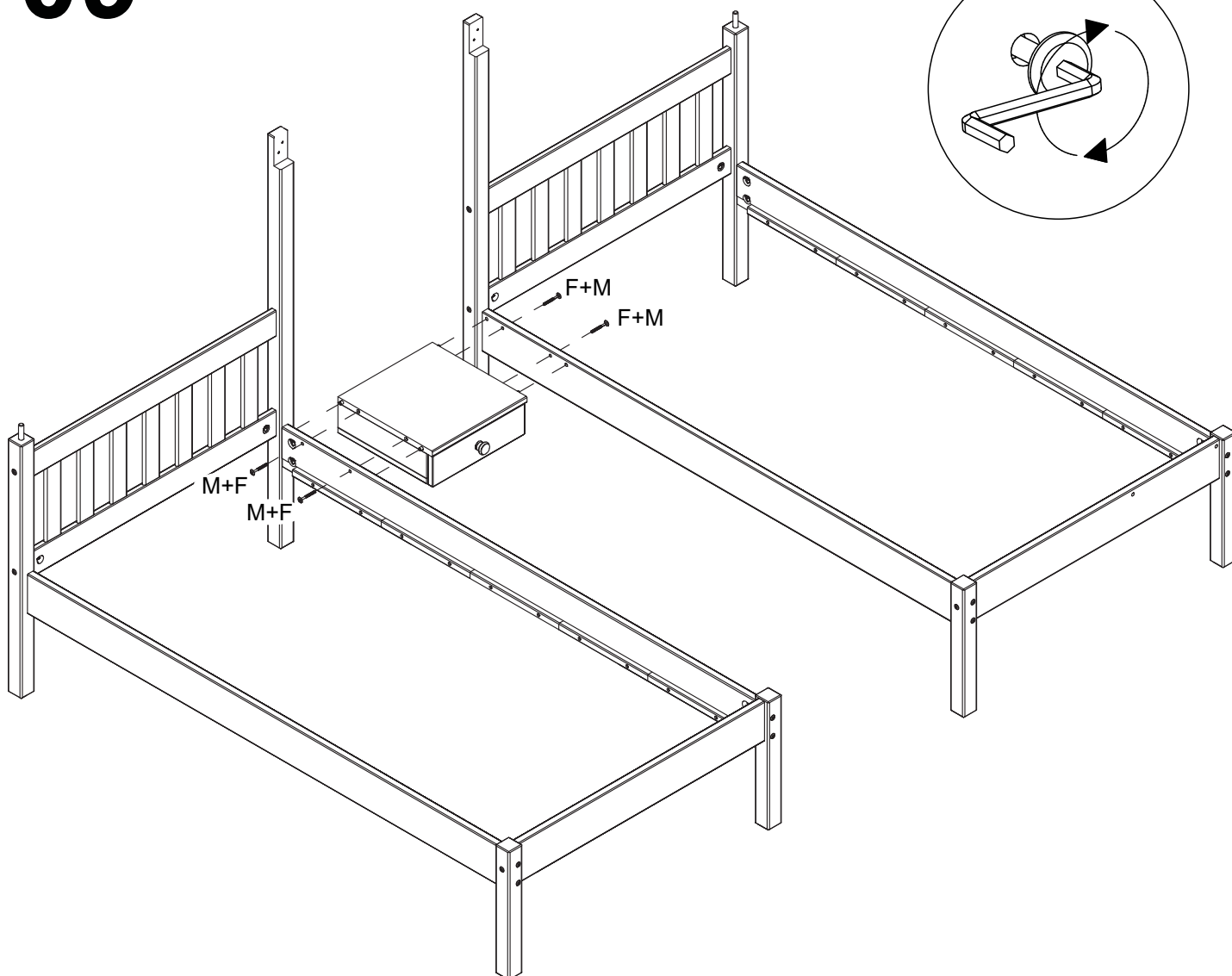



A



A		Qty
		02
10 x 40 Wood Dowel		

09

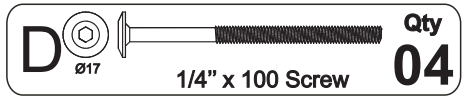
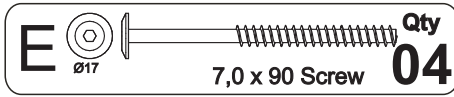
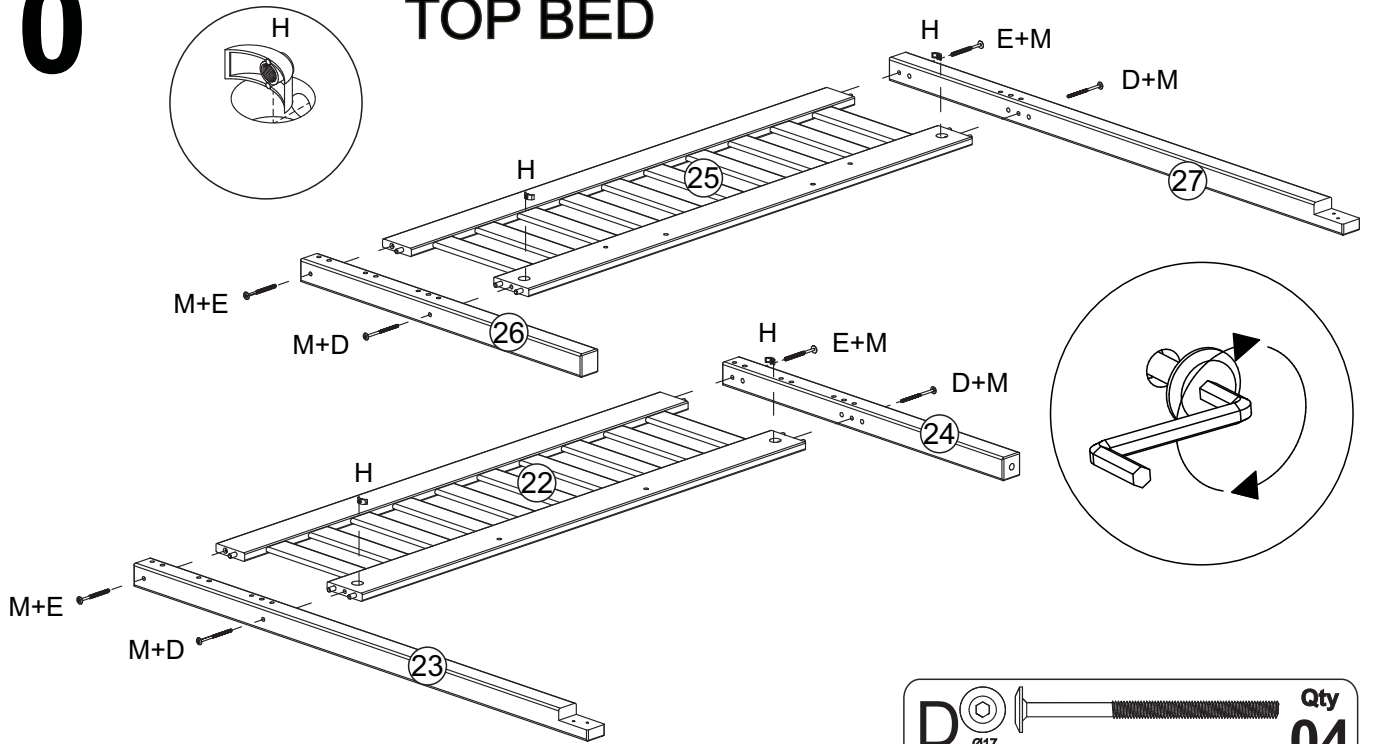


F		Qty
		04
7,0 x 60 Screw		

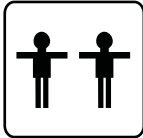
M		Qty
		01
Hex Screwdriver		

10

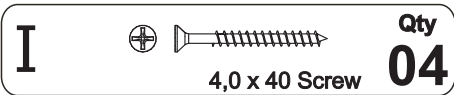
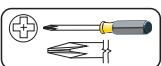
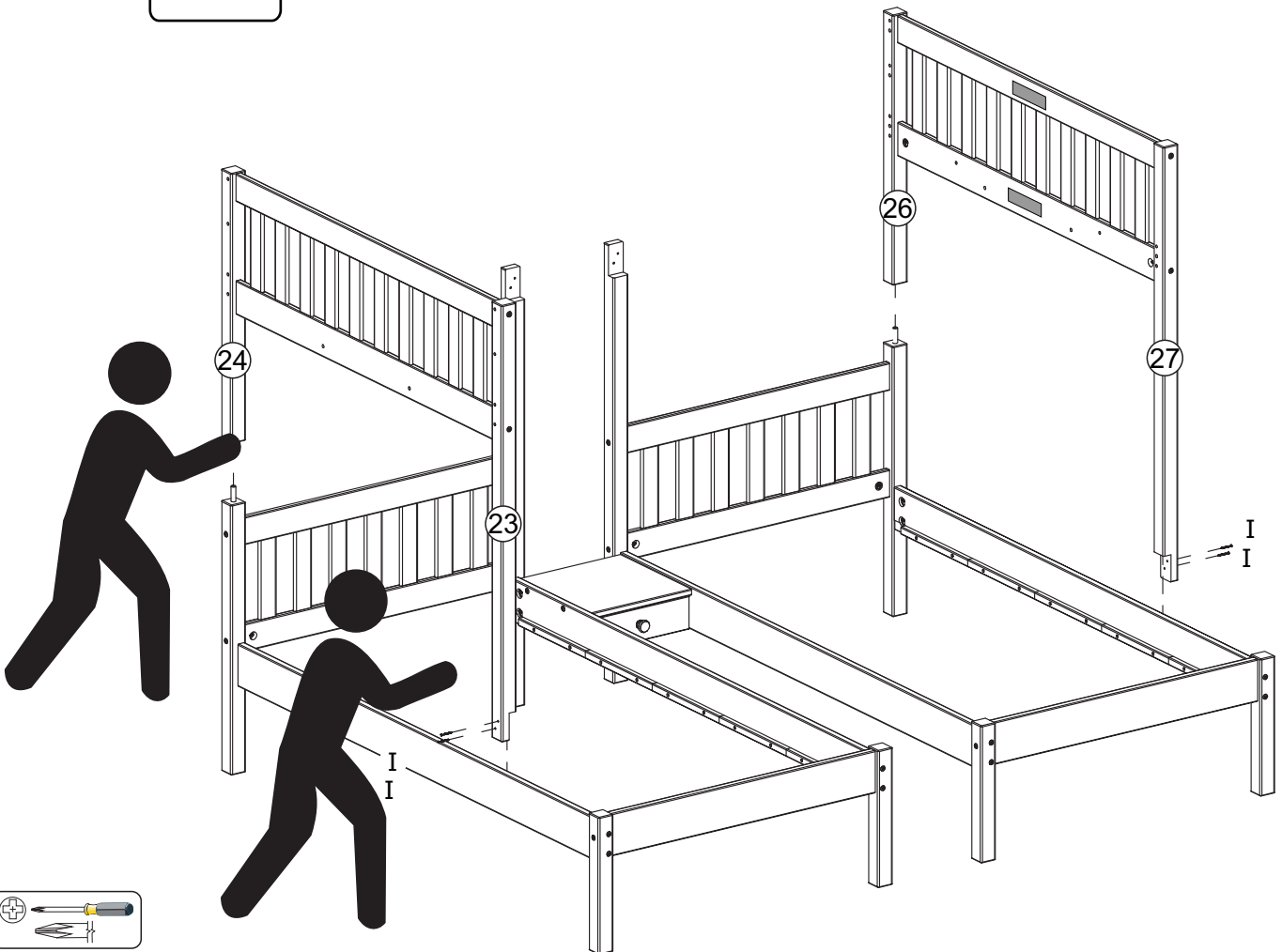
TOP BED



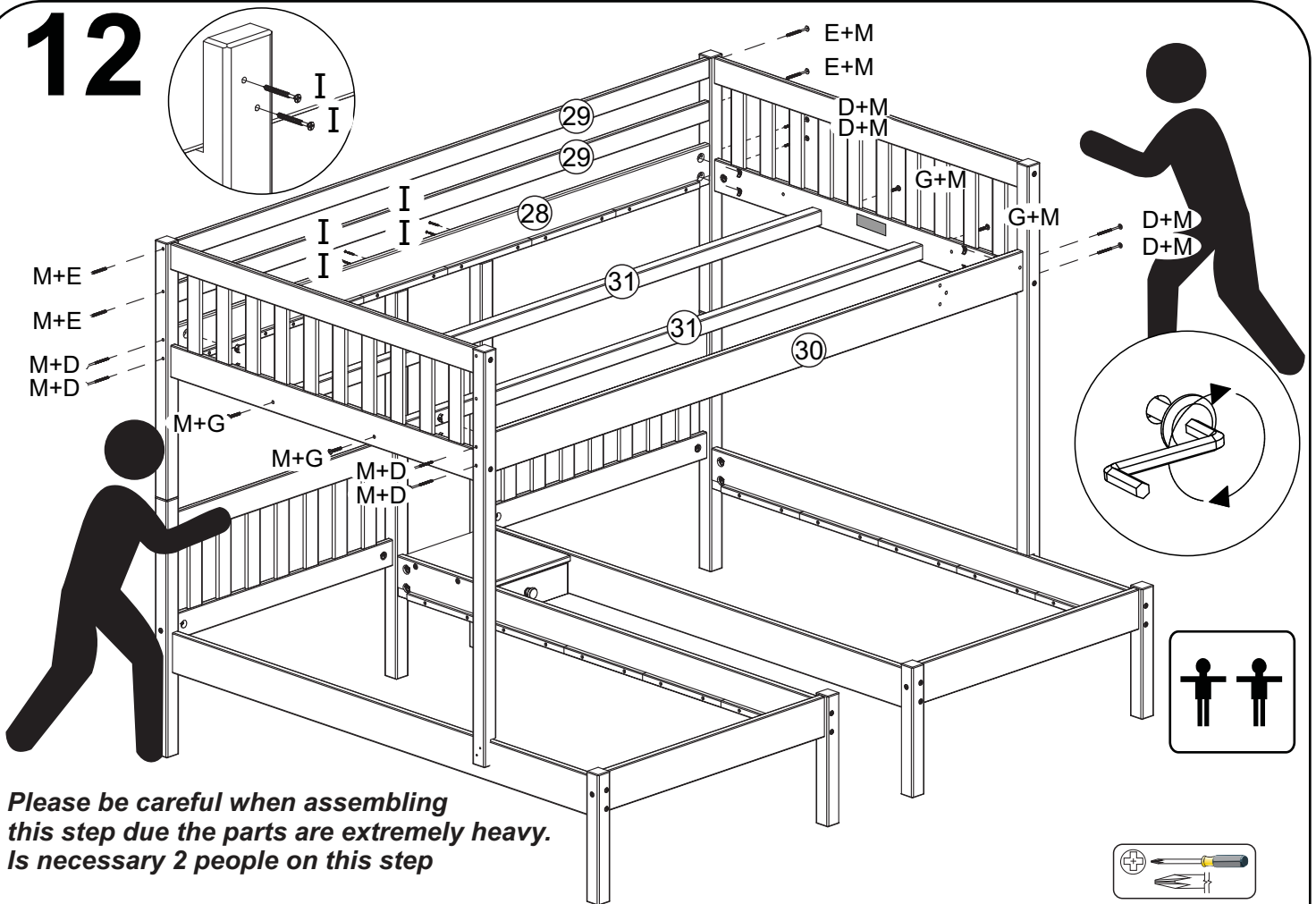
11



Please be careful when assembling this step due the parts are extremely heavy. Is necessary 2 people on this step



12



Please be careful when assembling this step due the parts are extremely heavy. Is necessary 2 people on this step

D		Qty 08
	1/4" x 100 Screw	

E		Qty 04
	7,0 x 90 Screw	

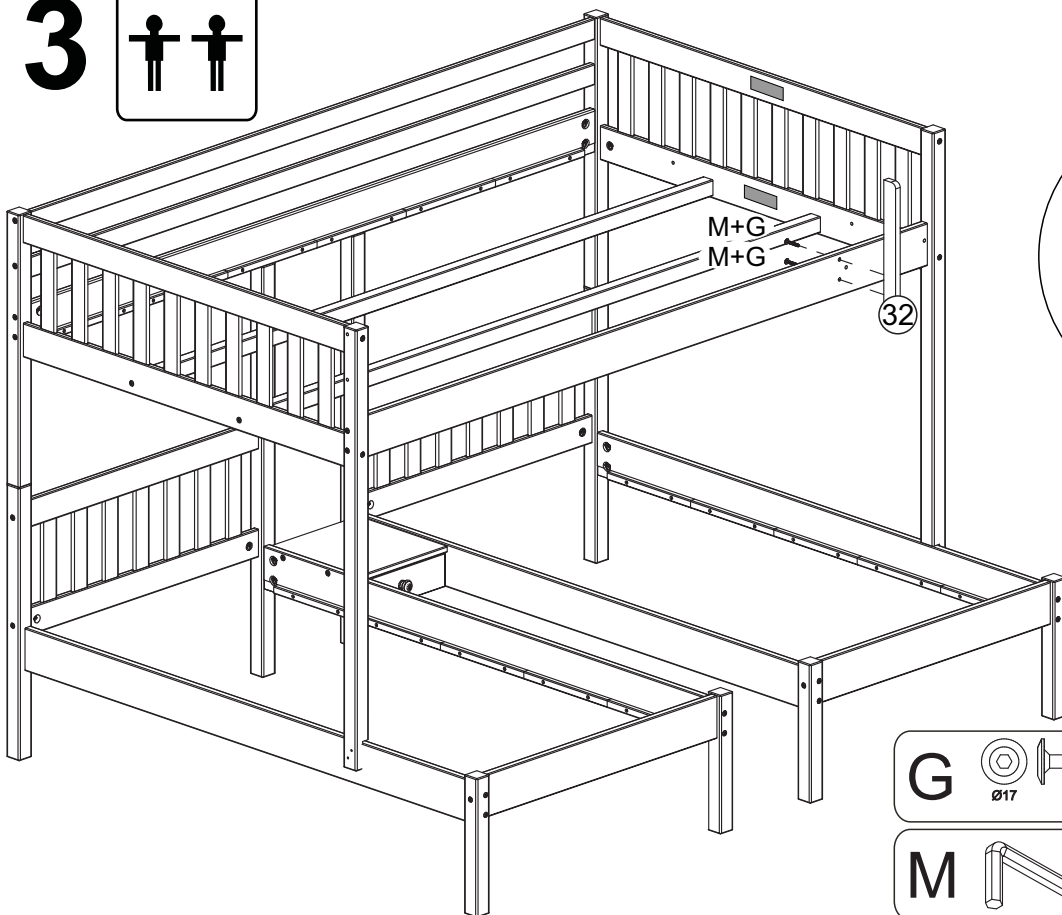
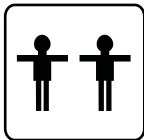
G		Qty 04
	7,0 x 50 Screw	

H		Qty 08
	1/4" Half Moon	

I		Qty 04
	4,0 x 40 Screw	

M		Qty 01
	Hex Screwdriver	

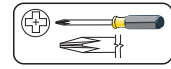
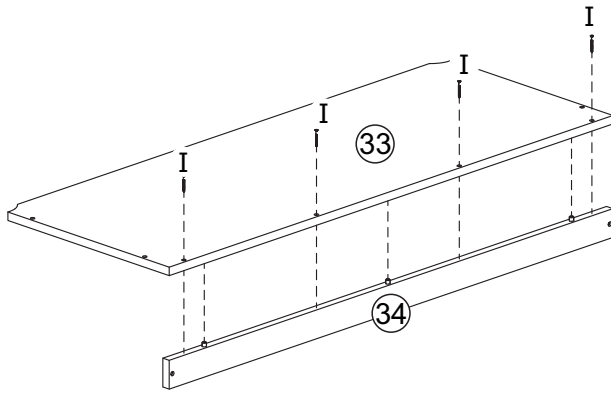
13




G		Qty 02
	7,0 x 50 Screw	

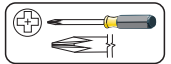
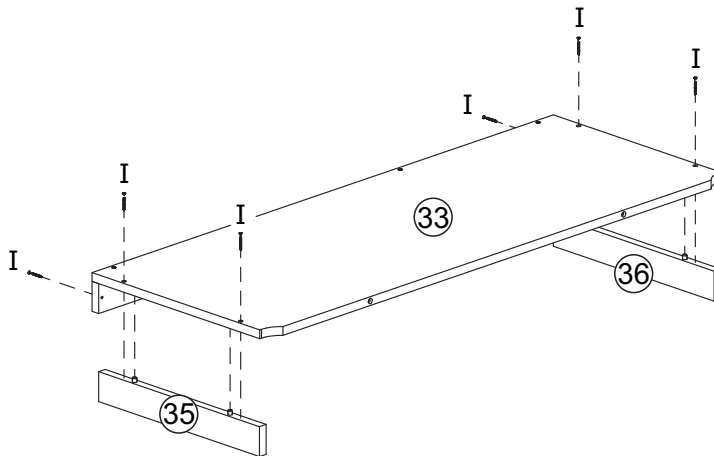
M		Qty 01
	Hex Screwdriver	


14



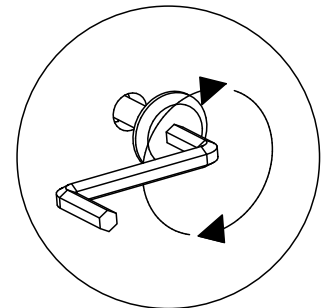
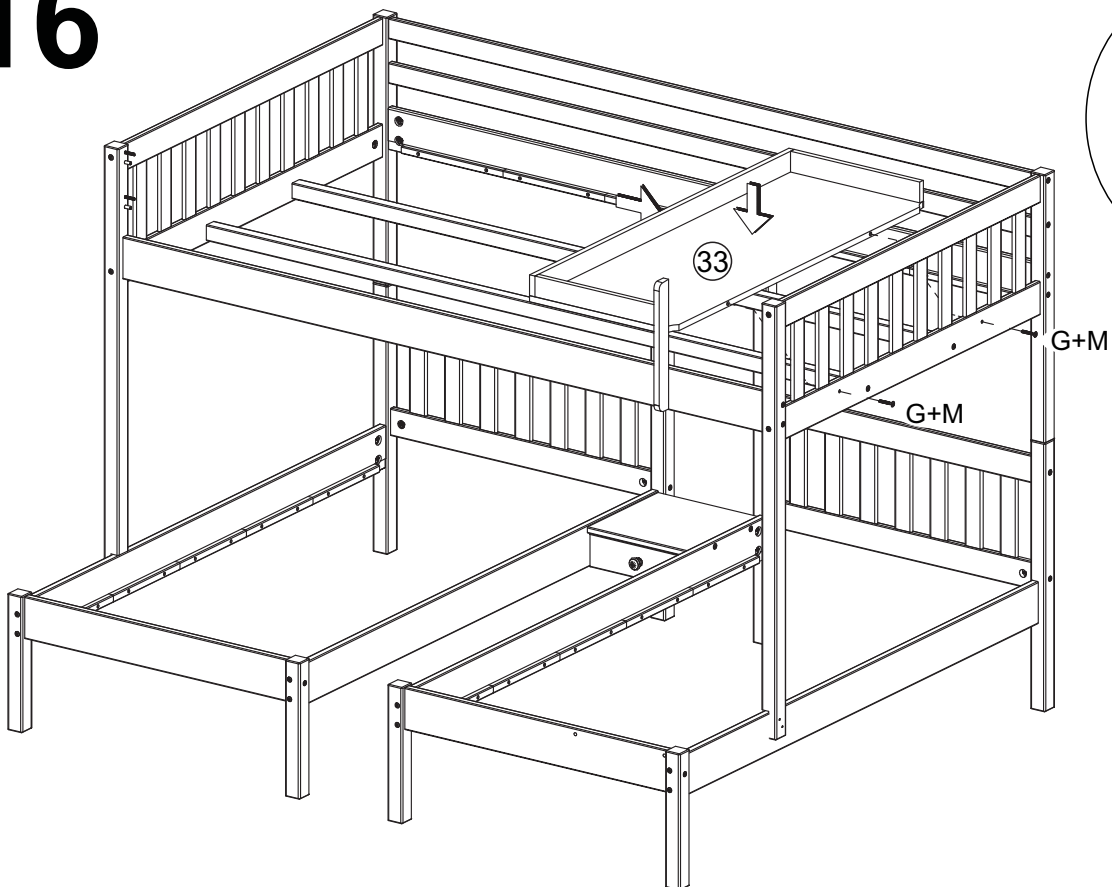
I  4,0 x 40 Screw **Qty 04**


15



I  4,0 x 40 Screw **Qty 06**

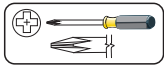
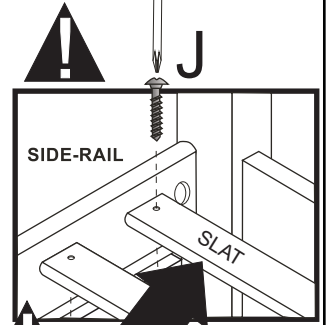
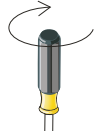
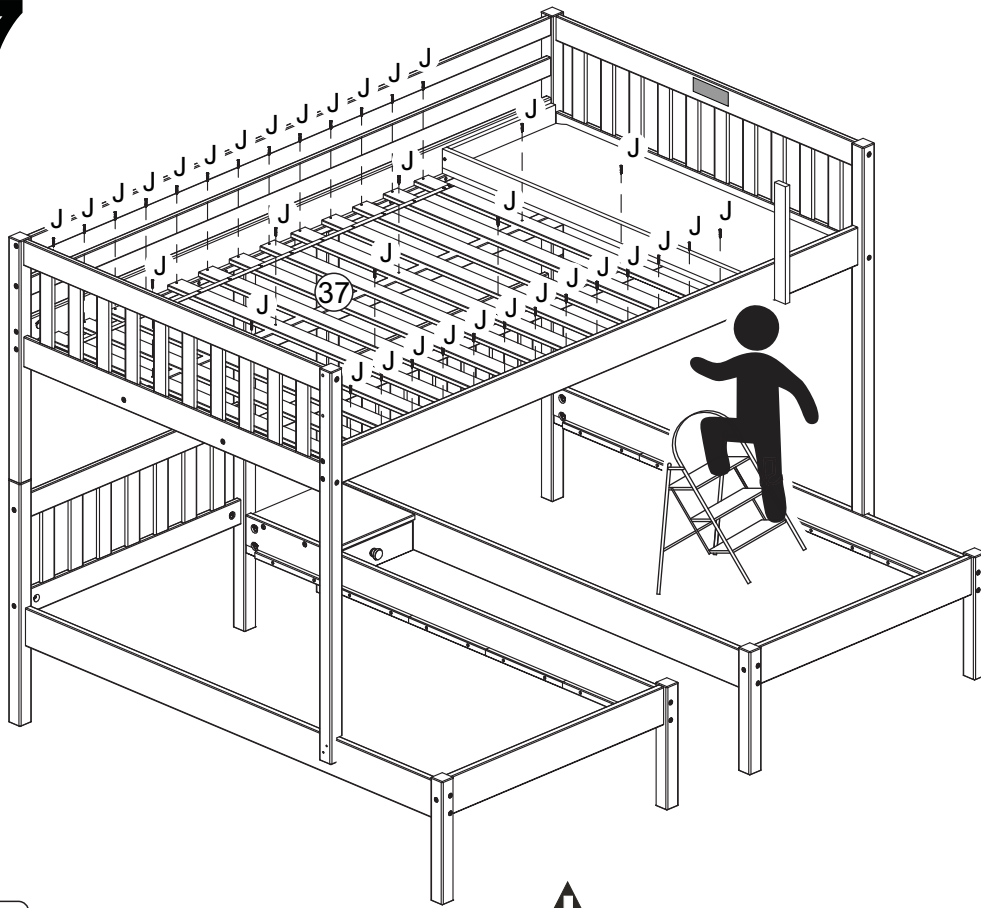
16



G  $\varnothing 17$ 7,0 x 50 Screw **Qty 02**

M  Hex Screwdriver **Qty 01**

17



J



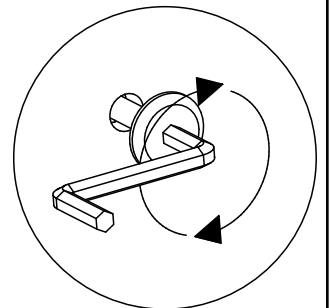
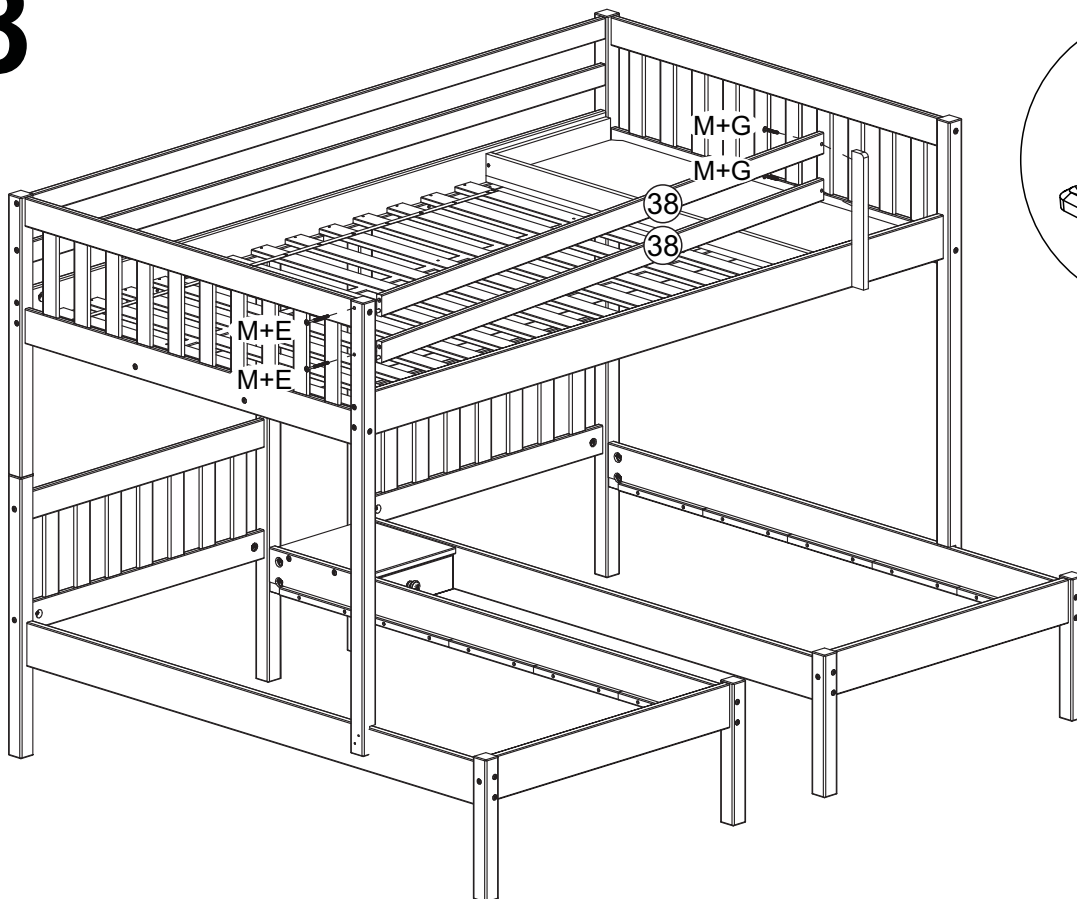
4,0 x 30 Screw

Qty **34**

“INSTALL SLAT KIT WITH SPACER TAPE ON TOP(FACING UP)”

The first slats must be fixed at 3” from each headboard end.

18



E
Ø17

7,0 x 90 Screw

Qty **02**

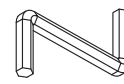
G

Ø17

7,0 x 50 Screw

Qty **02**

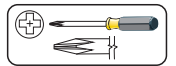
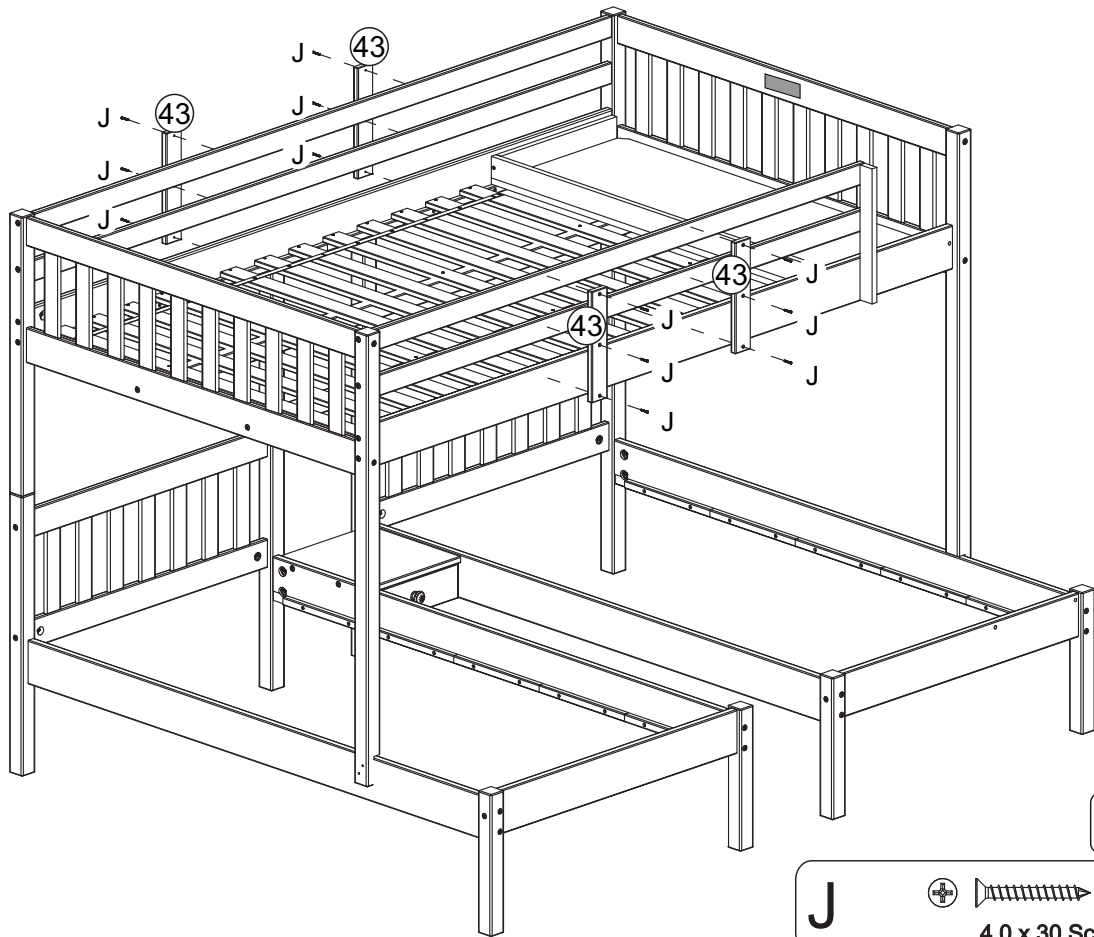
M




Hex Screwdriver

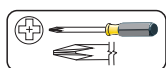
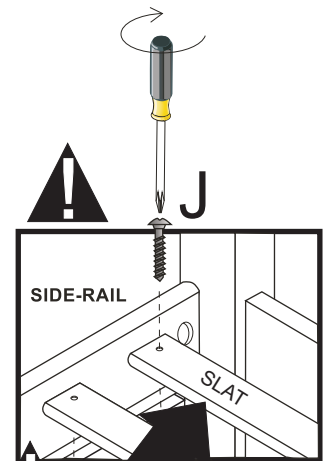
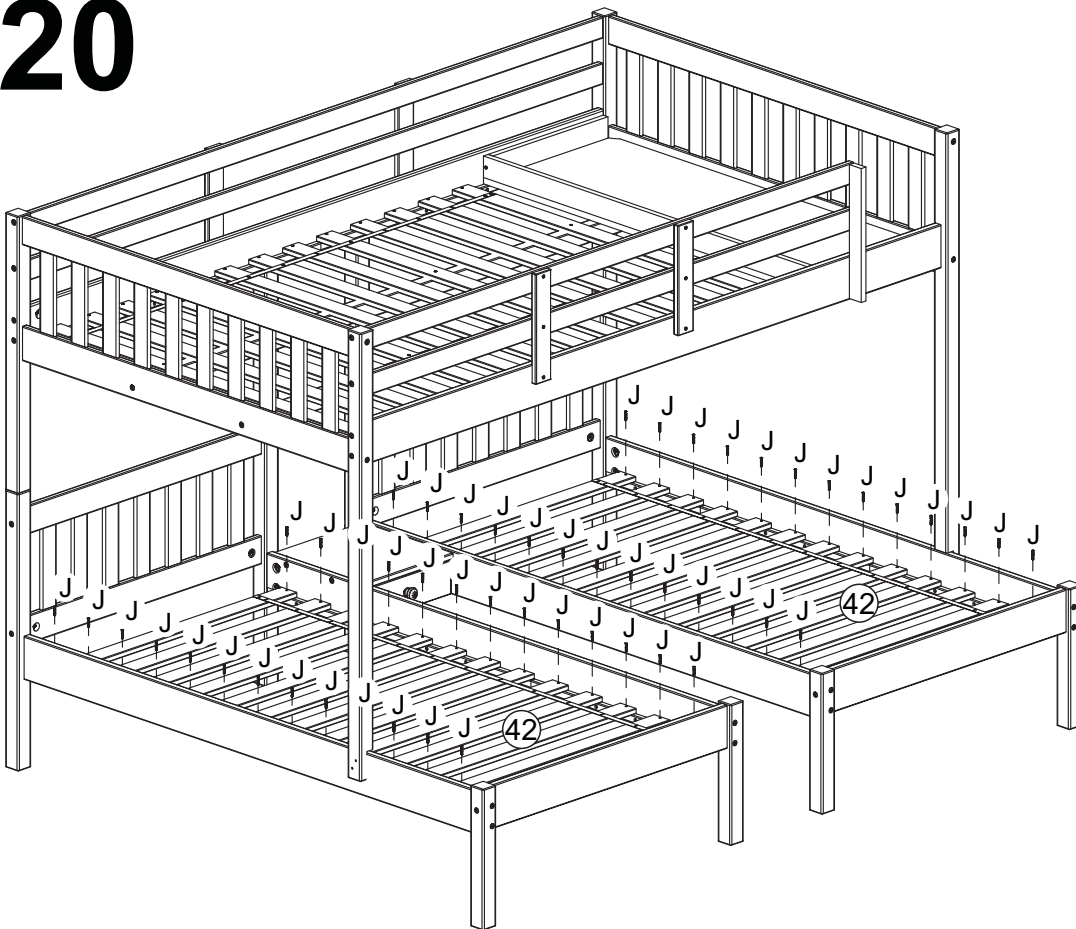
Qty **01**


19



J  **4,0 x 30 Screw** Qty **12**

20



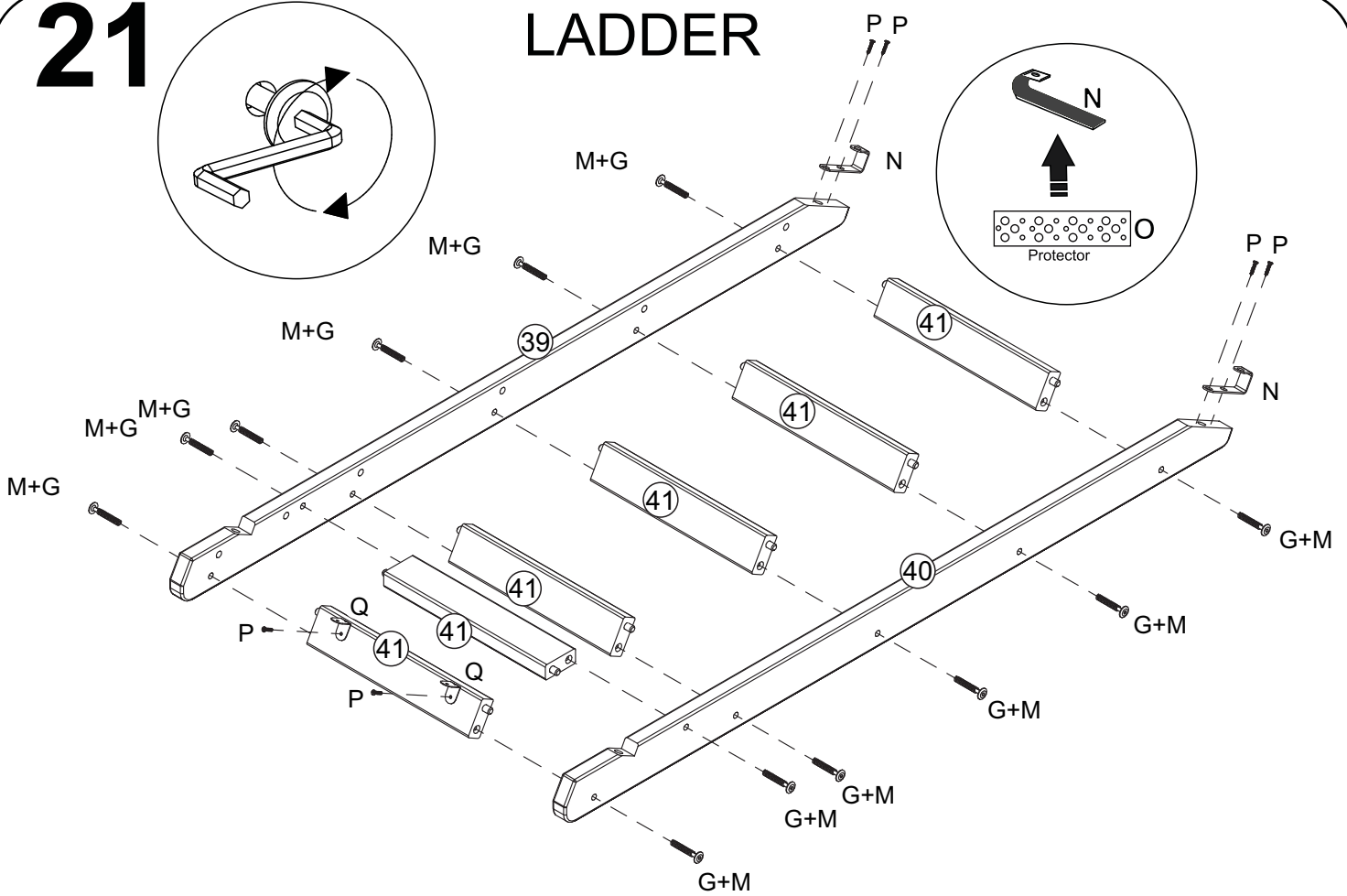
J  **4,0 x 30 Screw** Qty **52**

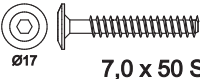
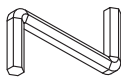
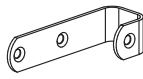

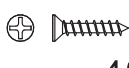

INSTALL SLAT KIT WITH SPACER TAPE ON TOP(FACING UP)

The first slats must be fixed at 3" from each headboard end.

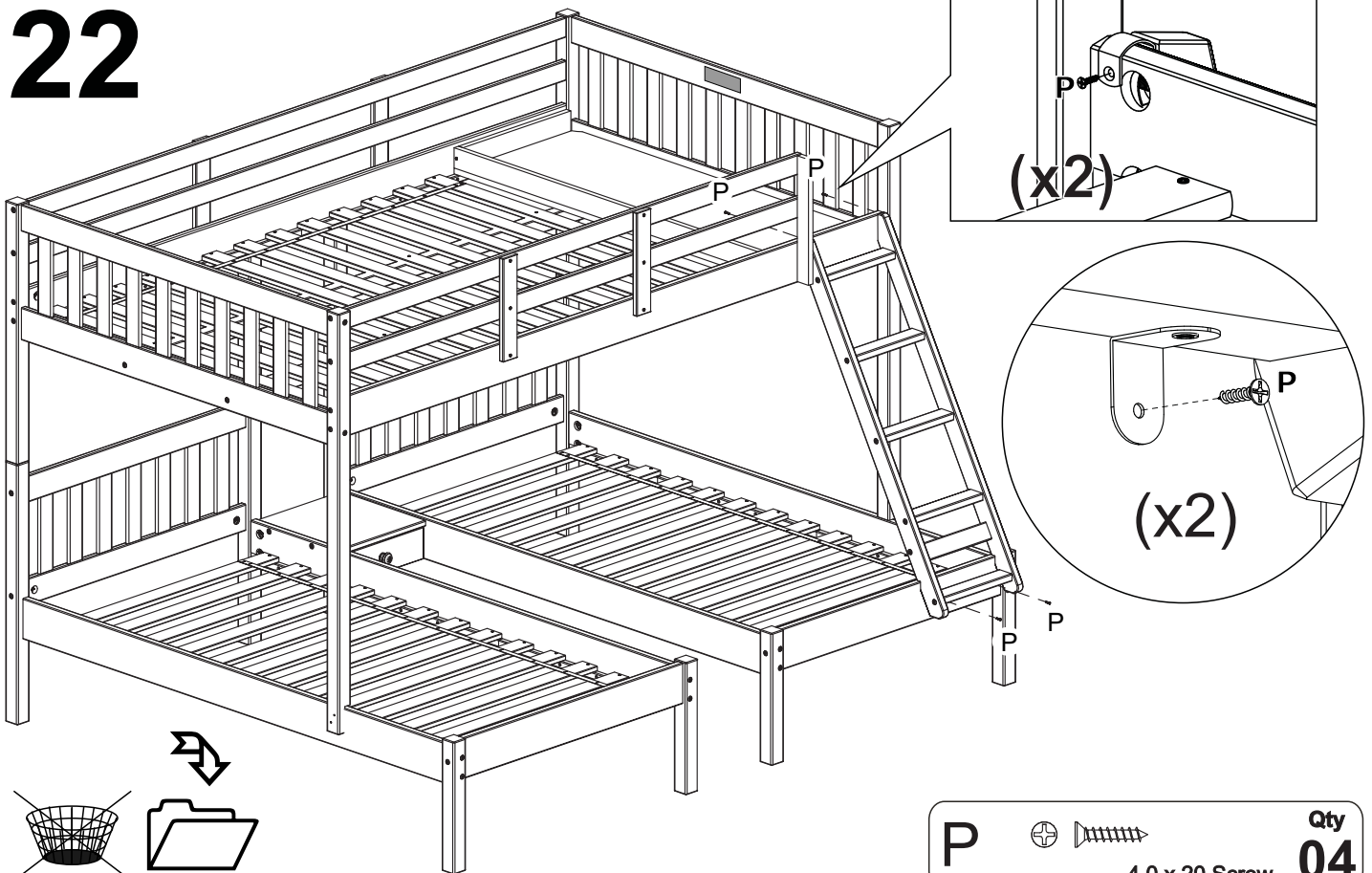
21

LADDER



G		Qty 12	M		Hex Screwdriver	Qty 01	N		Hook Ladder	Qty 02
O		Qty 02	P		4,0 x 20 Screw	Qty 06	Q		Bracket	Qty 02

22



P		Qty 04
----------	---	-------------------------