

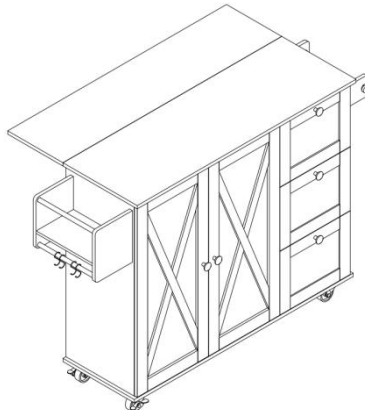
KITCHEN ISLAND USER MANUAL

We continue to be committed to provide you tools with competitive price.

"Save Half", "Half Price" or any other similar expressions used by us only represents an estimate of savings you might benefit from buying certain tools with us compared to the major top brands and does not necessarily mean to cover all categories of tools offered by us. You are kindly reminded to verify carefully when you are placing an order with us if you are actually saving half in comparison with the top major brands.

KITCHEN ISLAND

Thanks for purchasing one of our products, please read carefully the assembly instructions before the installation.



NEED HELP? CONTACT US!

Have product questions? Need technical support? Please feel free to contact us:

This is the original instruction, please read all manual instructions carefully before operating. reserves a clear interpretation of our user manual. The appearance of the product shall be subject to the product you received. Please forgive us that we won't inform you again if there are any technology or software updates on our product.

PRODUCT PARAMETERS

Model	ProductSize/mm (When the folding board is opened)	Loading Capacity	Top panel size(mm)
5	1430x680x990	300 lb (Max)	1150x390 1150x290 (Folding board)

ASSEMBLY PRECAUTIONS

1. Assemble needs to follow these instructions. Incorrect assembly can be a hazard.
2. Wear safety goggles and heavy-duty work gloves during assembly.
3. Do not assemble when tired or under the influence of alcohol, drugs or medication.
4. Weight capacity and other product capabilities only apply to a wholly and correctly assembled product.
5. Keep the assembly area clean and well-lit.
6. Keep bystanders out of the area during assembly.
7. The weight of plate is heavy; pay attention to the installation to avoid hurting it, and if necessary, find someone to assist with the installation.

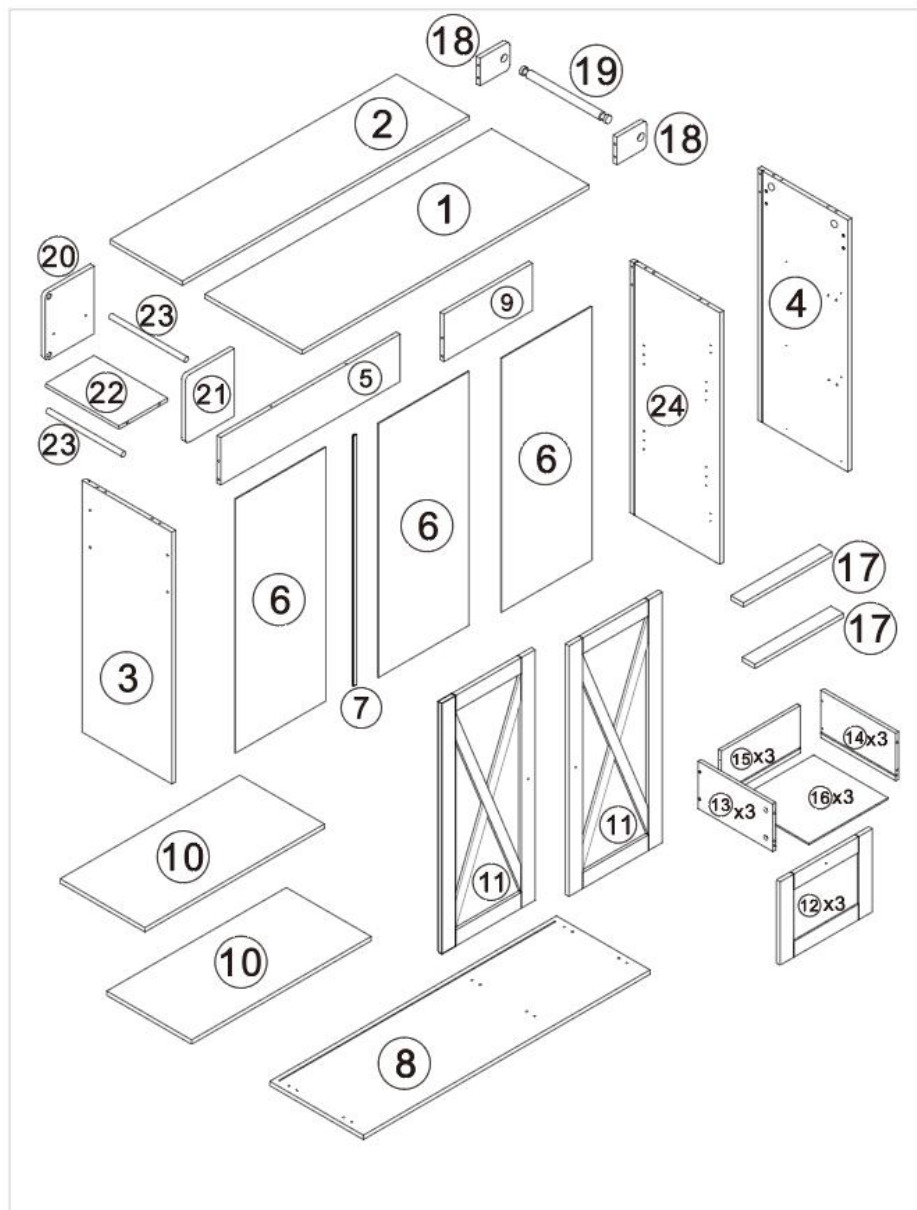
USE PRECAUTIONS




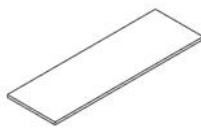



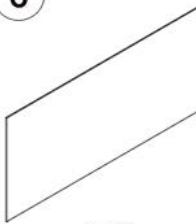



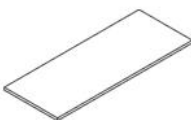
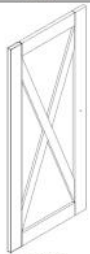
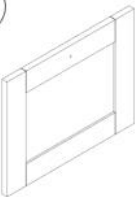




WARNING: TO PREVENT SERIOUS INJURY AND DEATH FROM TIPPING:


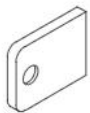
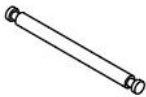





1. This product is not a toy. Do not allow children to play with or approach this item.
2. Use as intended only. Do not sit or stand on the product.
3. Inspect before every use. Do not use it if parts are loose or damaged.
4. Use on flat, level, and hard surfaces only.
5. Do not exceed the listed weight capacity. Tighten all knobs securely before applying load. Be aware of dynamic loading! The sudden load movement may briefly create an excess load, causing product failure.
























Exploded Drawing



PARTS LIST

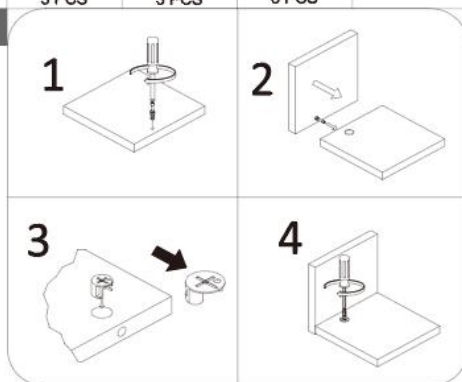
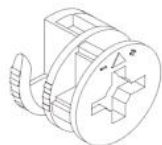
<p>①</p>  <p>1 PC</p>	<p>②</p>  <p>1 PC</p>	<p>③</p>  <p>1 PC</p>	<p>④</p>  <p>1 PC</p>
<p>⑤</p>  <p>1 PC</p>	<p>⑥</p>  <p>3 PCS</p>	<p>⑦</p>  <p>1 PC</p>	<p>⑧</p>  <p>1 PC</p>
<p>⑨</p>  <p>1 PC</p>	<p>⑩</p>  <p>2 PC</p>	<p>⑪</p>  <p>2 PCS</p>	<p>⑫</p>  <p>3 PCS</p>
<p>⑬</p>  <p>3 PCS</p>	<p>⑭</p>  <p>3 PCS</p>	<p>⑮</p>  <p>3 PCS</p>	<p>⑯</p>  <p>3 PCS</p>

<p>17</p>  <p>2 PC</p>	<p>18</p>  <p>2 PCS</p>	<p>19</p>  <p>1 PC</p>	<p>20</p>  <p>1 PC</p>
<p>21</p>  <p>1 PC</p>	<p>22</p>  <p>1 PC</p>	<p>23</p>  <p>1 PC</p>	<p>24</p>  <p>1 PC</p>

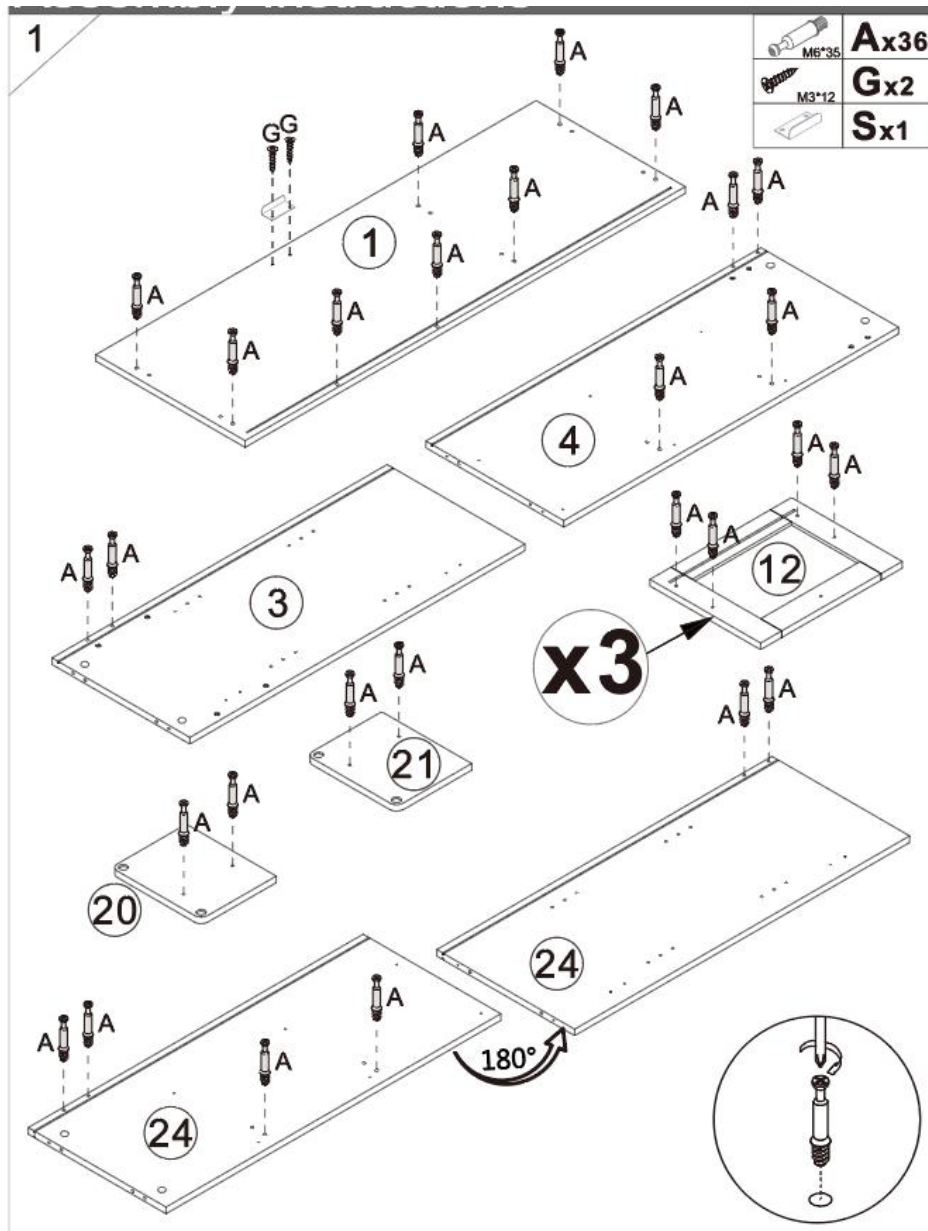
A M6*35  36 PCS	B Ø15*10  36 PCS	C Ø6*30  16 PCS	D M4*35  6 PCS	E M4*20  5 PCS	F  5 PCS	G M3*12  26 PCS	H M7*50  8 PCS
I M5*14  26 PCS	J  2 PCS	K  2 PCS	L M4*30  12 PCS	M M4*14  24 PCS	N  4 PCS	O  8 PCS	P  2 PCS
Q  1 PC	R  4 PCS	S  1 PC	CL  3 PCS	CR  3 PCS	DL  3 PCS	DR  3 PCS	

Cam Lock Fastening System

This Cam Lock Fastening System will be used throughout the assembly process



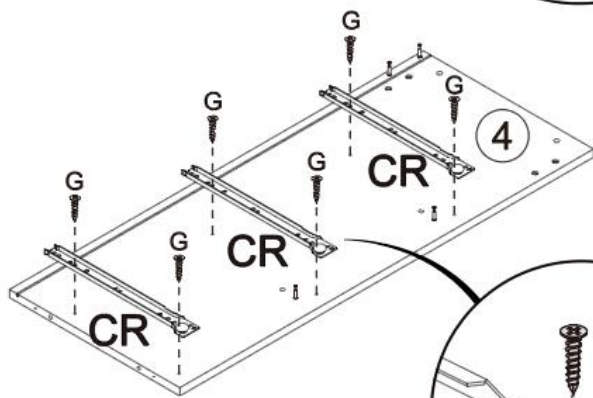
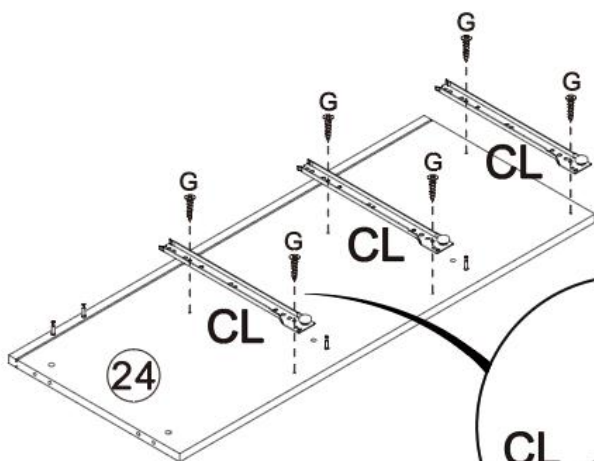
ASSEMBLY STEPS



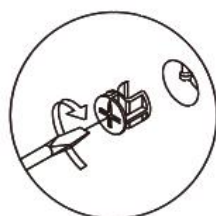
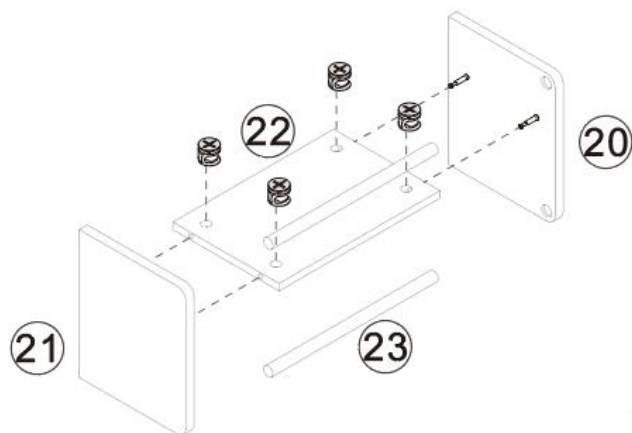
2

	CLx3
	CRx3
	Gx12



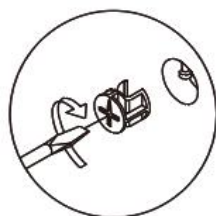
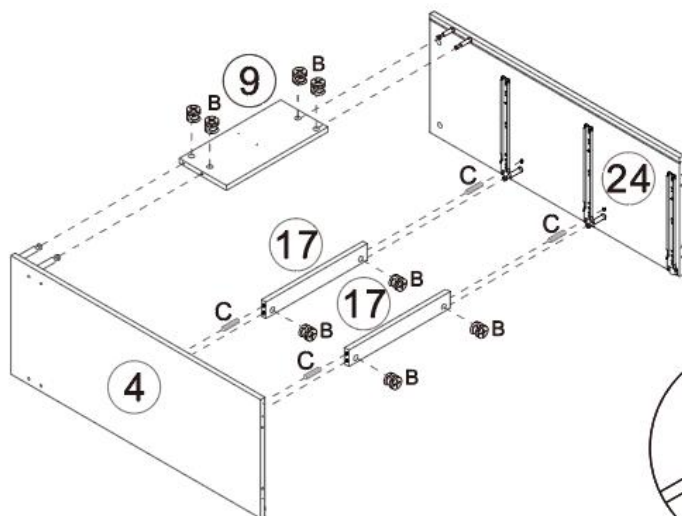
M3*12

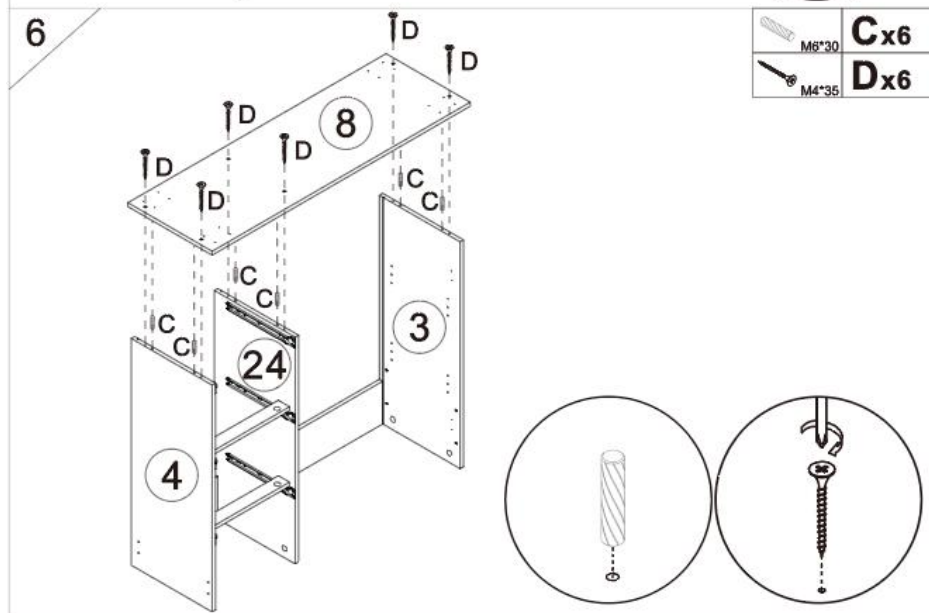
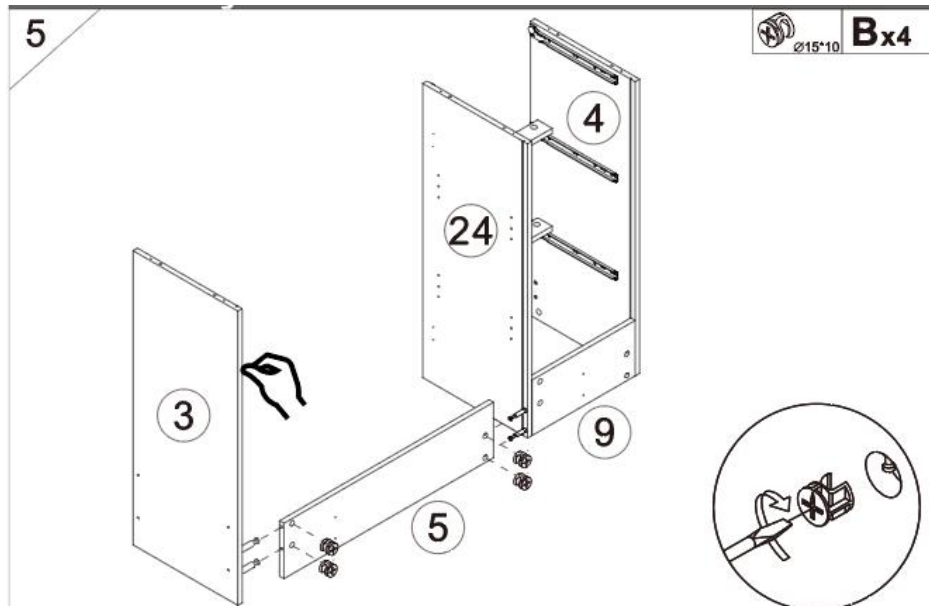


3

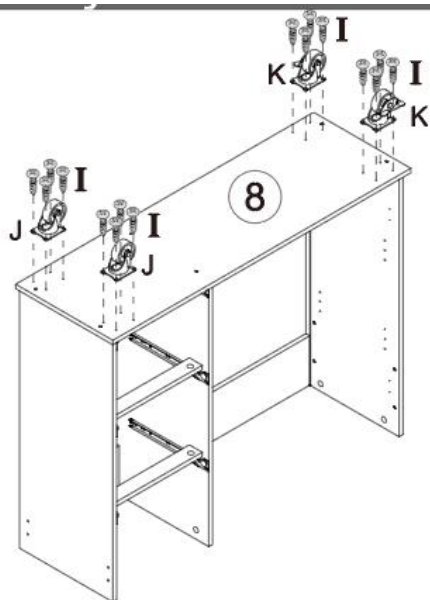

 Ø15*10 **Bx4**





4


 Ø15*10 **Bx8**

 M6*30 **Cx4**


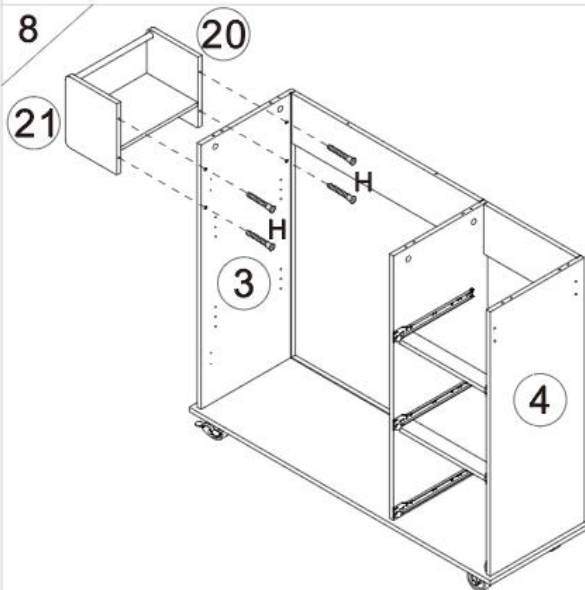


7



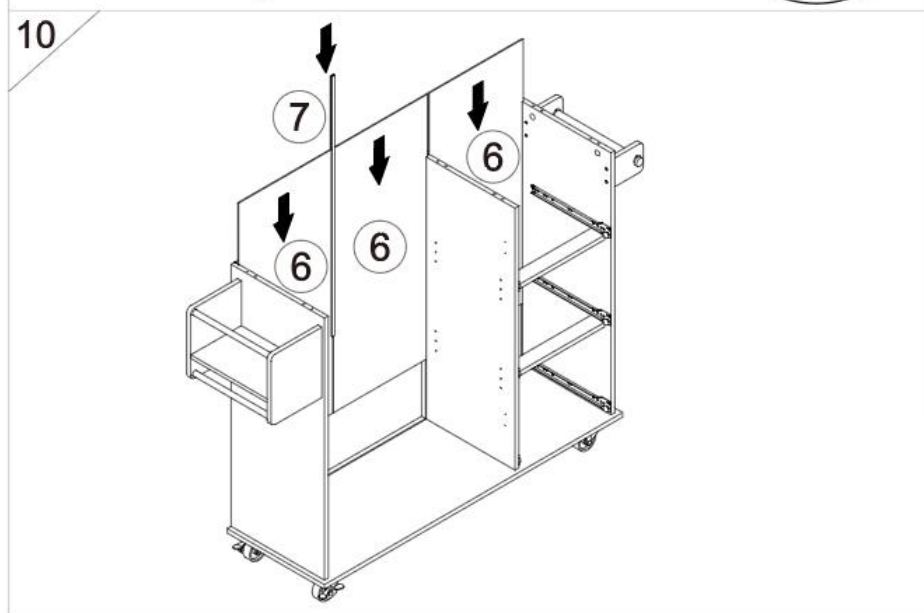
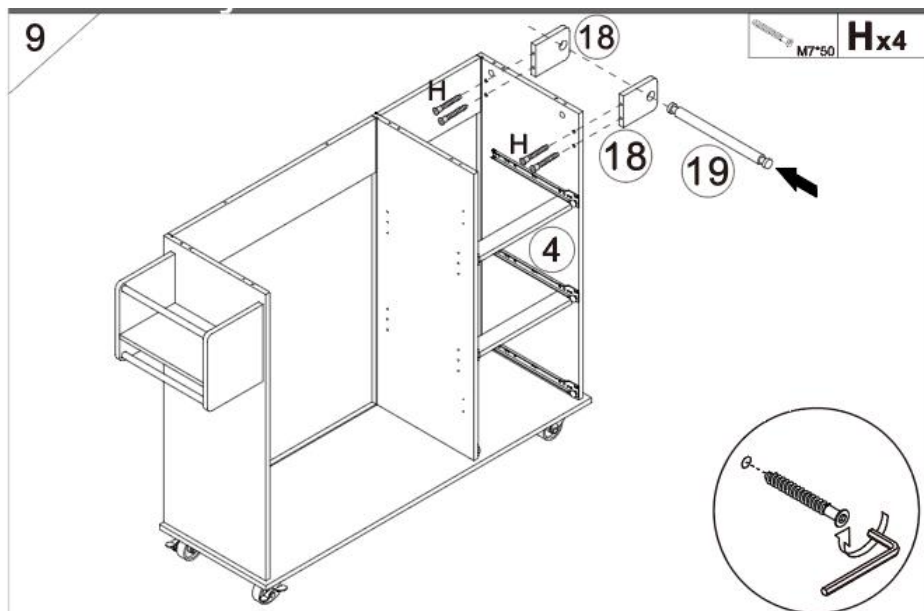
 M5*14	Ix16
	Jx2
	Kx2

8

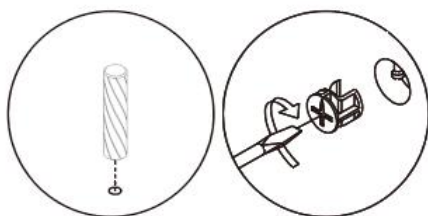
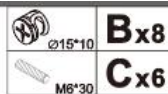
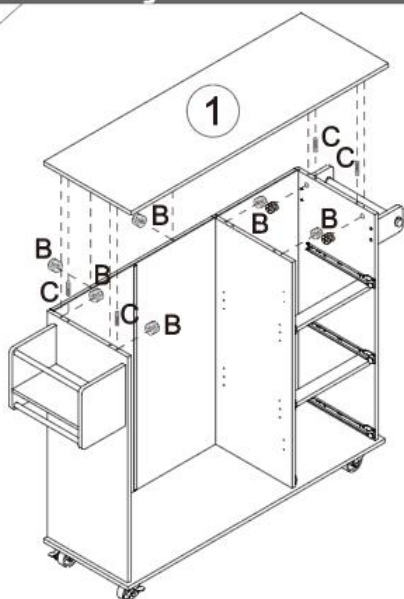


 M7*50	Hx4
---	------------

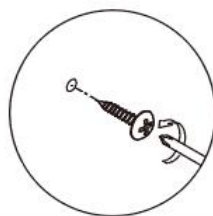
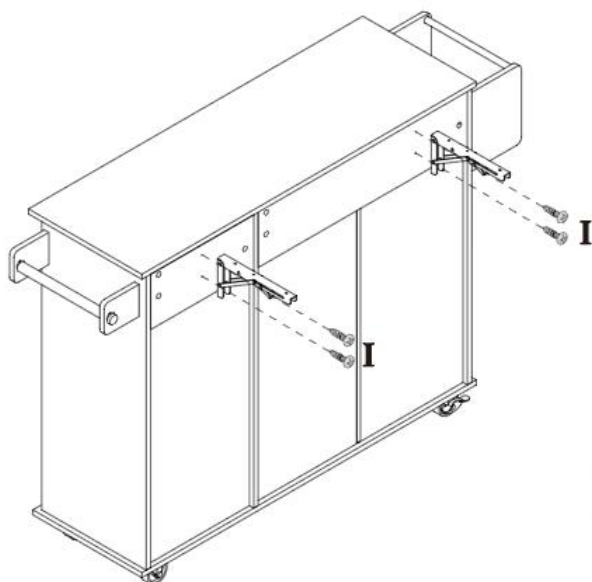




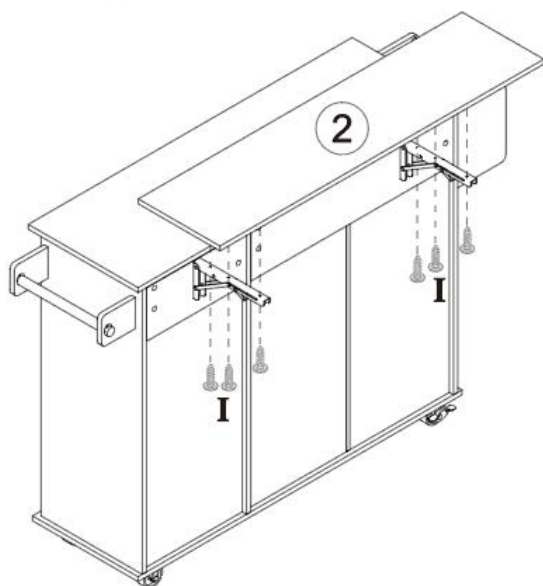
11



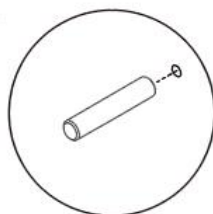
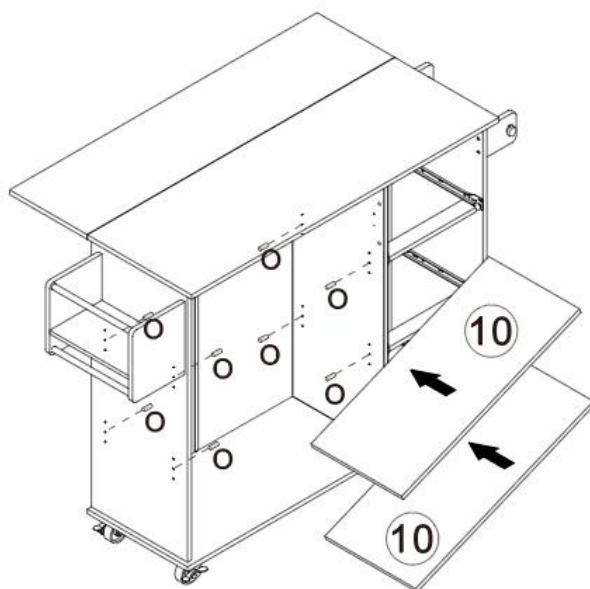
12



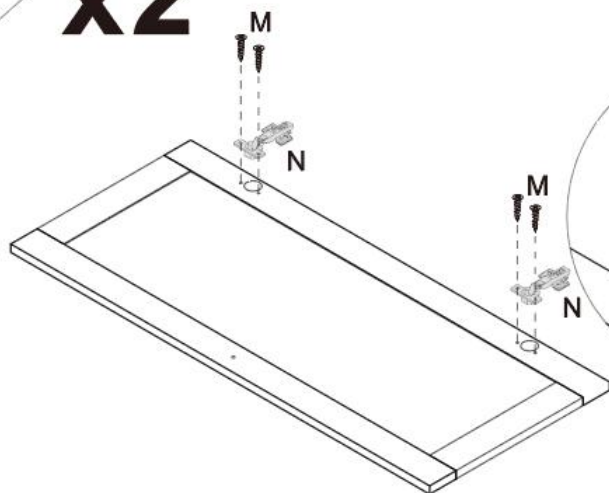
13

 M5*14 **I x6**


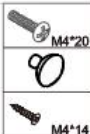
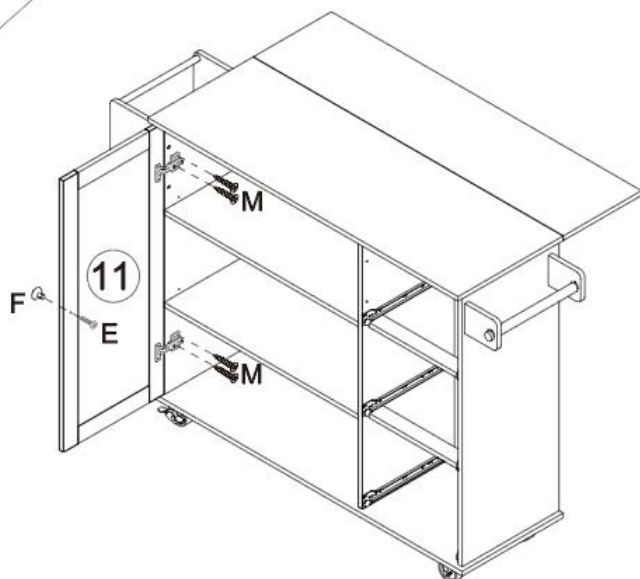
14

 **O x8**


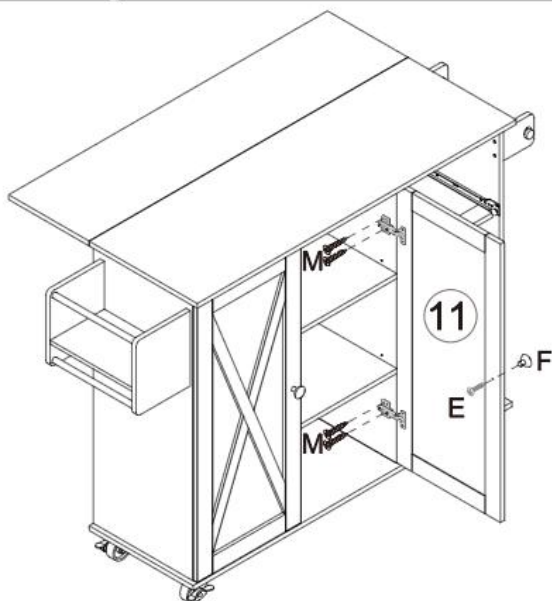
15

x2**Mx8****Nx4**

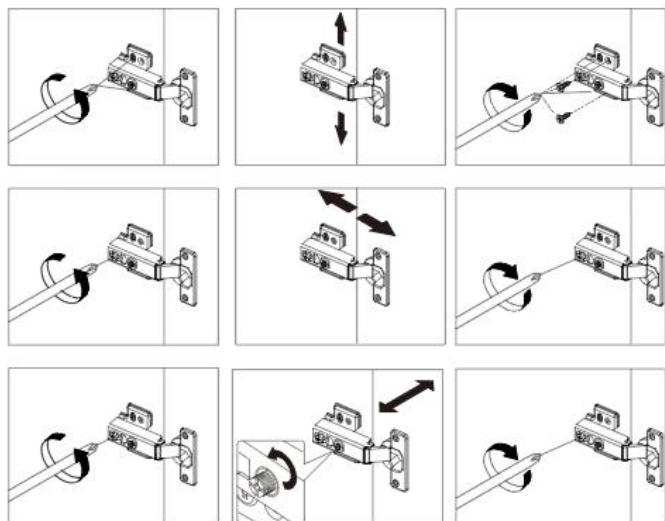
16

**E_{x1}****F_{x1}****M_{x4}**

17





**E**x1**F**x1**M**x4

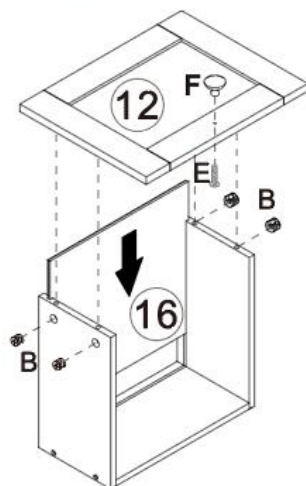
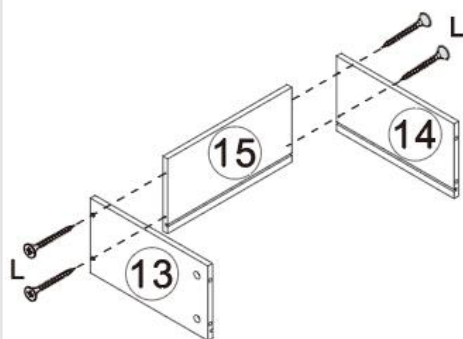
18

**M**x8

19

x3

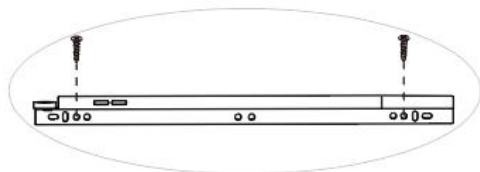
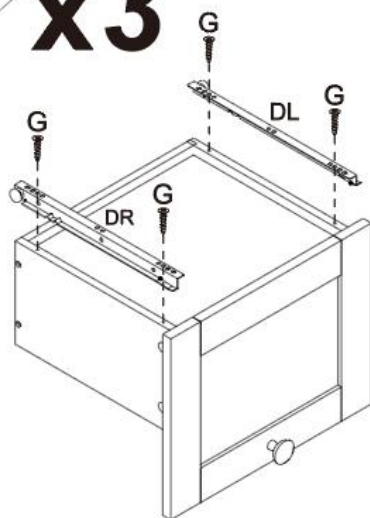
 $\varnothing 15 \times 10$	Bx12		Fx3
 M4*20	Ex3	 M4*30	Lx12



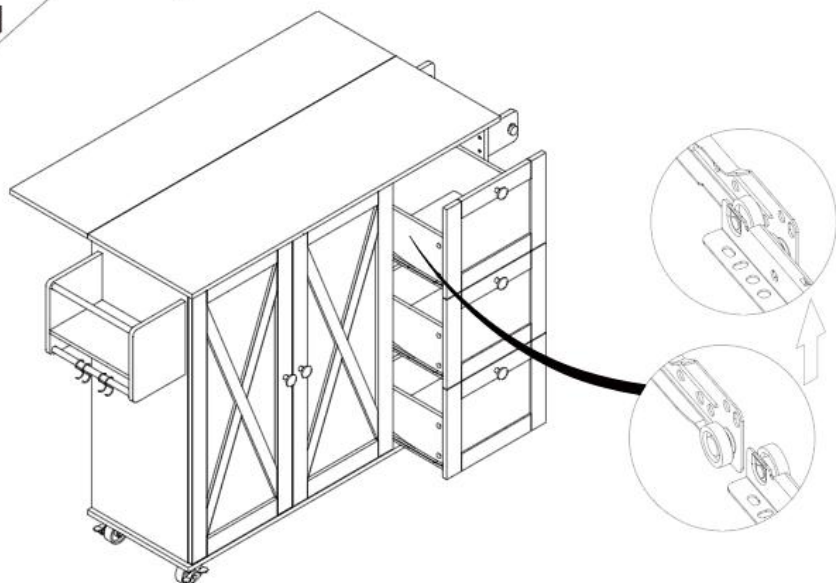
20

x3

	DLx3
	DRx3
 M3*12	Gx12

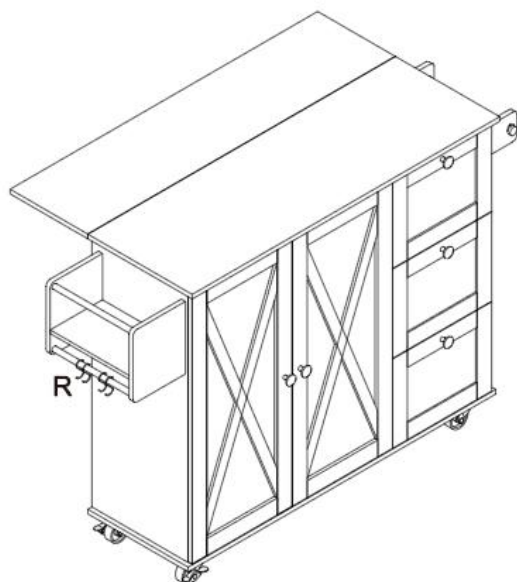


21



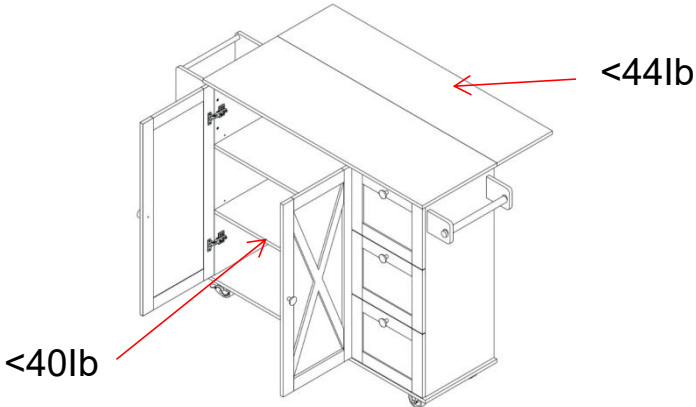
22

S R_{x4}



General Care

- 1. Make sure each layer should not exceed 40lb loading weight.
- 2. Make sure Folding board should not exceed 44lb loading weight.



- 3. Make sure each drawer should not exceed 28lb loading weight.

