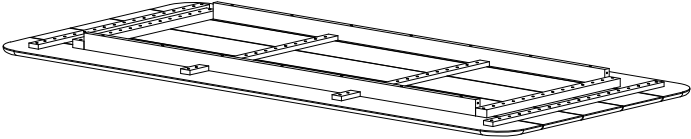
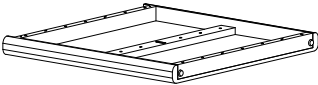







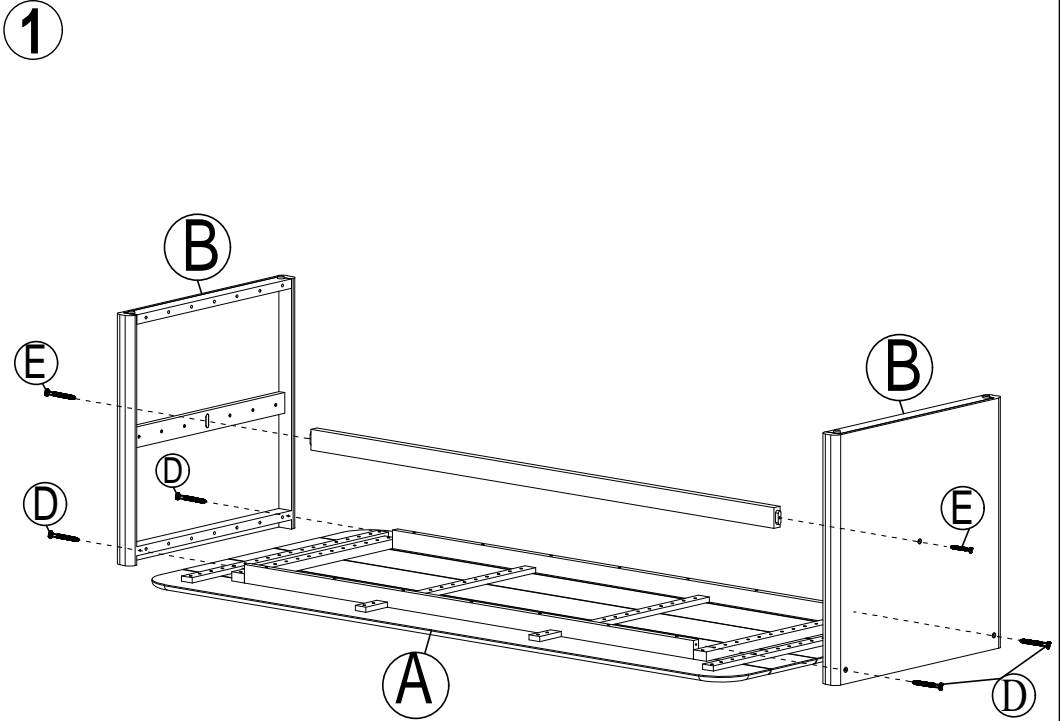
Hello! Please read these important attentions...

Please put a thick carpet on the ground to protect the furniture finish and corners. During the installation process, **DON' T** fasten screws tight 100% at a time.

ASSEMBLY INSTRUCTIONS

NUMBER	COMPONENT	QUANTITY
A	 <p>TABLE TOP</p>	1PC
B	 <p>SUPPORTING FEET</p>	2PCS
C	 <p>CONNECTING ROD</p>	1PC
D	 <p>SCREW 7X90 MM</p>	4PCS
E	 <p>SCREW 7X70 MM</p>	2PCS
F	 <p>PLASTIC LID</p>	4PCS
G	 <p>M4</p>	1PC

ASSEMBLY INSTRUCTIONS



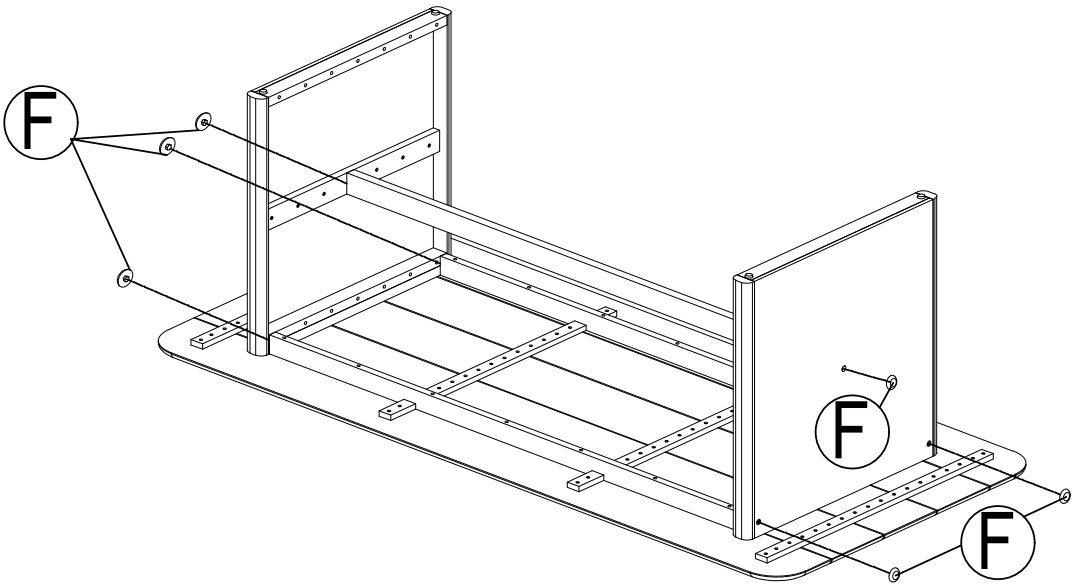
Use the Allen M4 (G) and Screws 7X90MM (D) to connect the Supporting Leg (B) with the Table Top (A)

Use the Allen M4 (G) and the Screws 7X70MM (E) to connect the Connecting Rod (C) to the Supporting Legs (B)

This process requires four operations.

ASSEMBLY INSTRUCTIONS

2



Use the Plastic Lid (F) to cover the screw heads

ASSEMBLY INSTRUCTIONS

3

