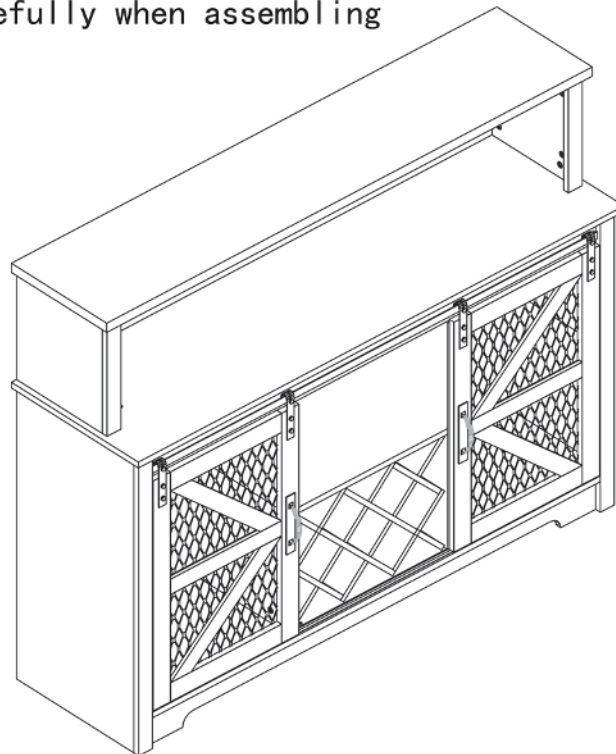
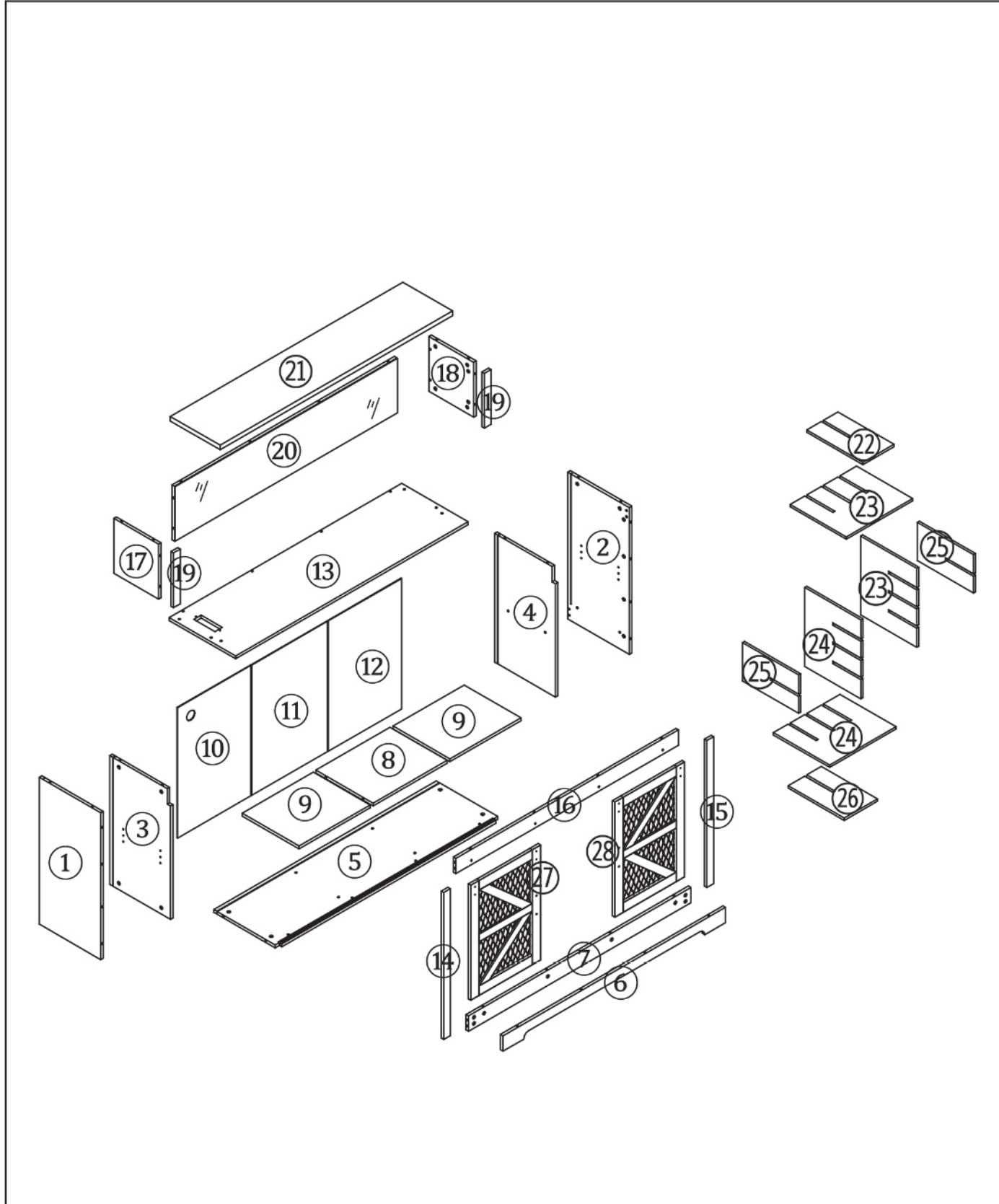





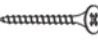


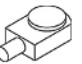












# ASSEMBLY INSTRUCTION

- Please follow the instructions to assemble the items correctly.
- Please ensure the safety of the glass when assembling.
- Do not make the screws too loose or too tight.
- As shown in the figure, Insert the screw into the hole.  
The arrow in the picture, Then rotate 90° or 180° clockwise.
- The accessory bag contains some small accessories, which should be kept away from children.
- The remaining parts are spare parts.
- Warm reminder white backboard please install the white side inward
- The operating instruction of RGB light is included in the package , please read it carefully when assembling

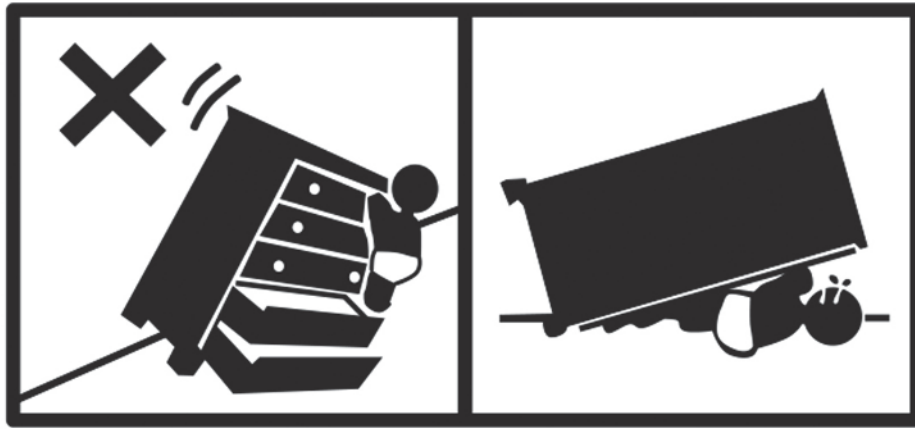




|  |  |   |  |  |   |   |   |   |   |
|--|--|---|--|--|---|---|---|---|---|
| <b>A</b><br><br>60pcs | <b>B</b><br><br>60pcs | <b>A1</b><br><br>12pcs       | <b>B1</b><br><br>12pcs        | <b>C</b><br><br>3.5*14<br>28pcs | <b>C6</b><br><br>4*20<br>12pcs | <b>F</b><br><br>2pcs  | <b>F1</b><br><br>4*22<br>4pcs              | <b>G</b><br><br>8pcs | <b>R</b><br><br>1pcs |
| <b>X</b><br><br>2pcs  | <b>Y</b><br><br>12pcs | <b>Z</b><br><br>6*12<br>8pcs | <b>Z3</b><br><br>6*30<br>4pcs | <b>BD</b><br><br>4pcs           | <b>BE</b><br><br>4pcs          | <b>BG</b><br><br>3pcs | <b>AM</b><br><br>Decorative paper<br>38pcs | <br><b>LED</b>       |   |



# WARNING



Children have died from furniture tip over. To reduce the risk of tip over:

- ALWAYS secure this furniture to the wall using an anti-tip device.
- NEVER allow children to stand, climb, or hang on drawers, doors or shelves.

Do not defeat or remove the drawer interlock system.

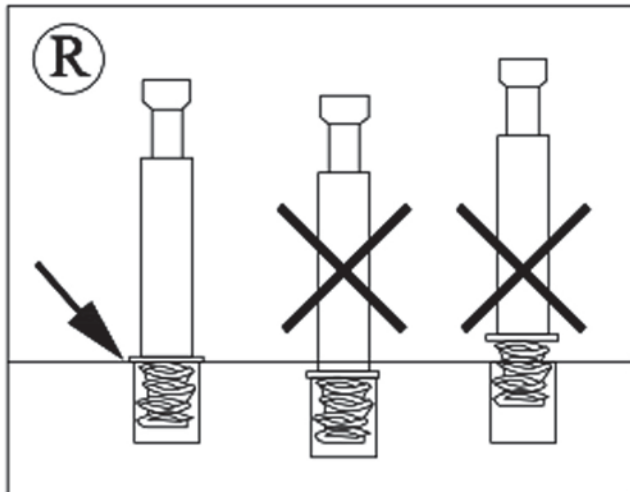
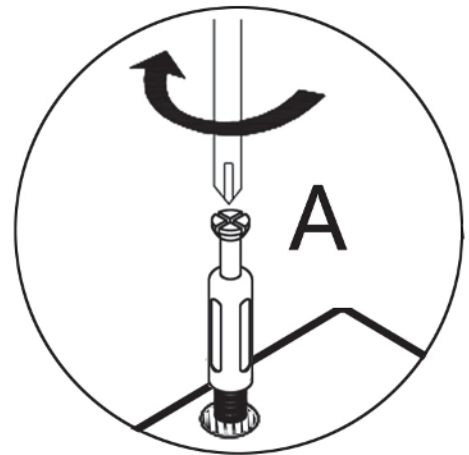
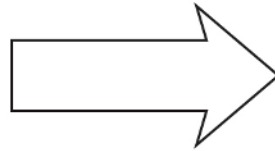
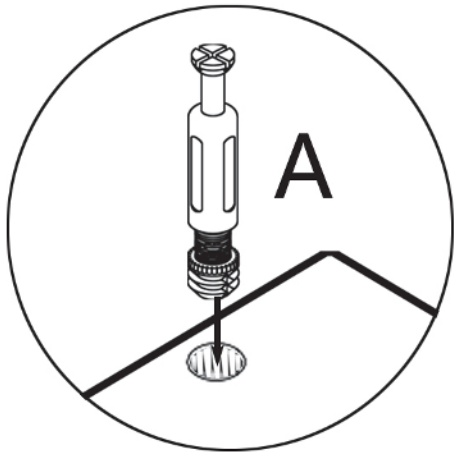
Place heaviest items in the lowest drawers.

NEVER put a TV on this furniture.



## Hardware installation demonstration

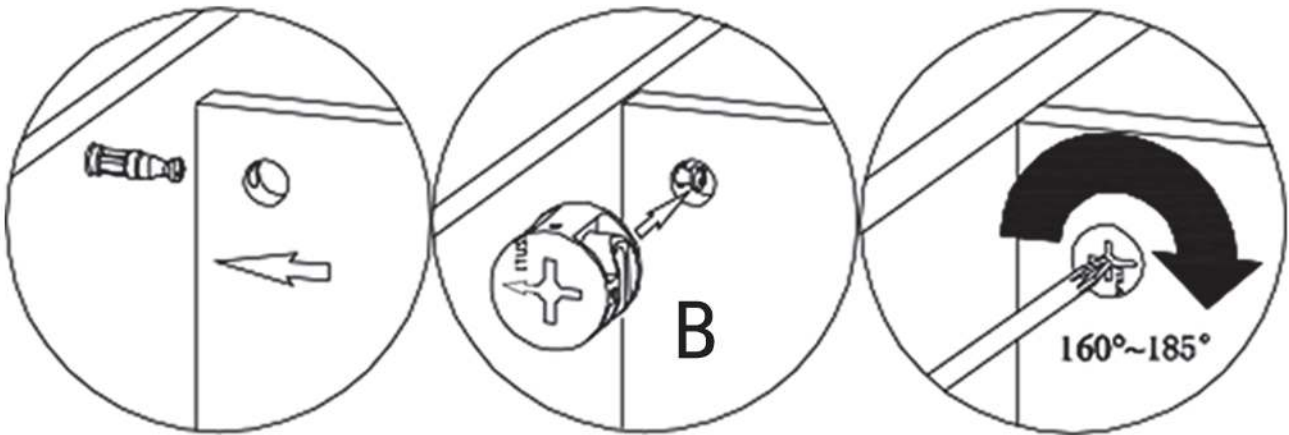
- Please make sure "A" hardware tightened and can't be pulled out



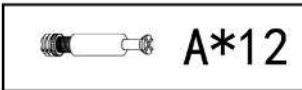
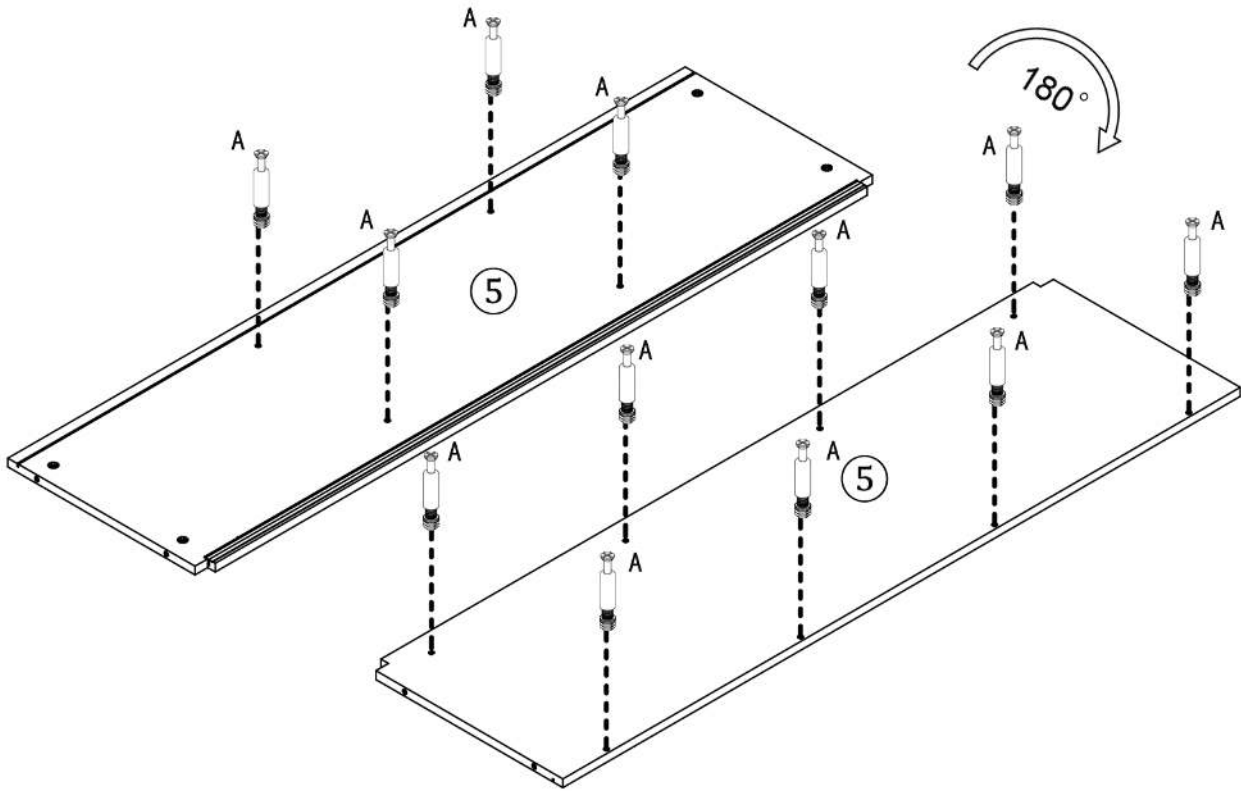


## Hardware installation demonstration

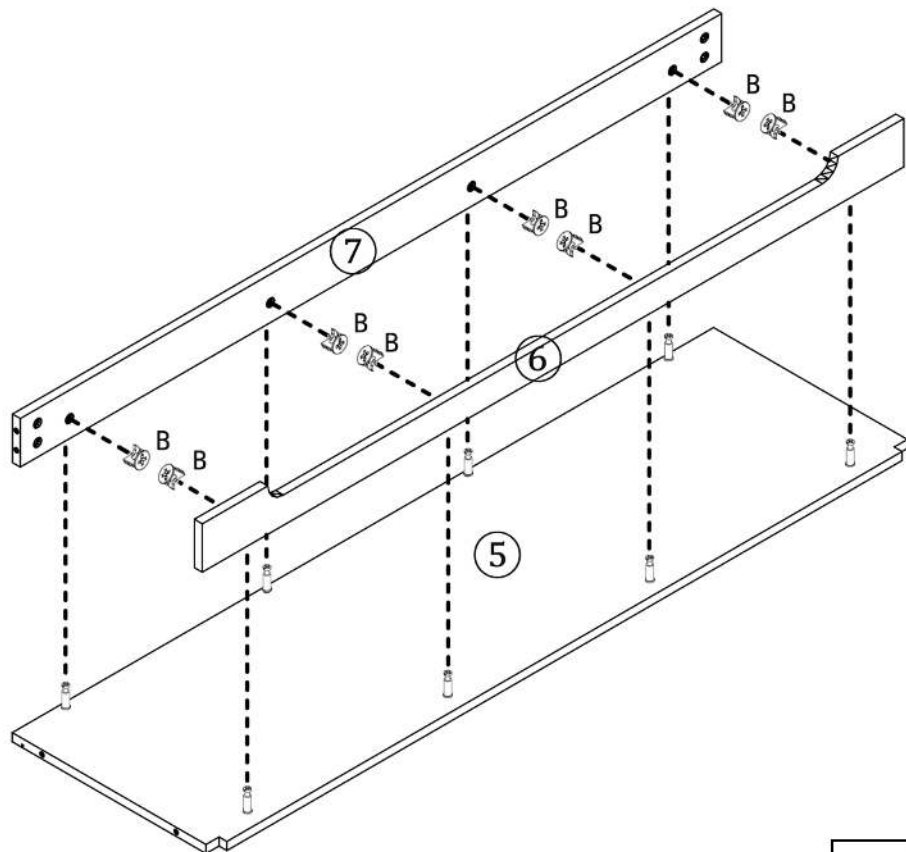
- When inserting cam ensure arrowhead on cam points toward to the hole on the panel edge



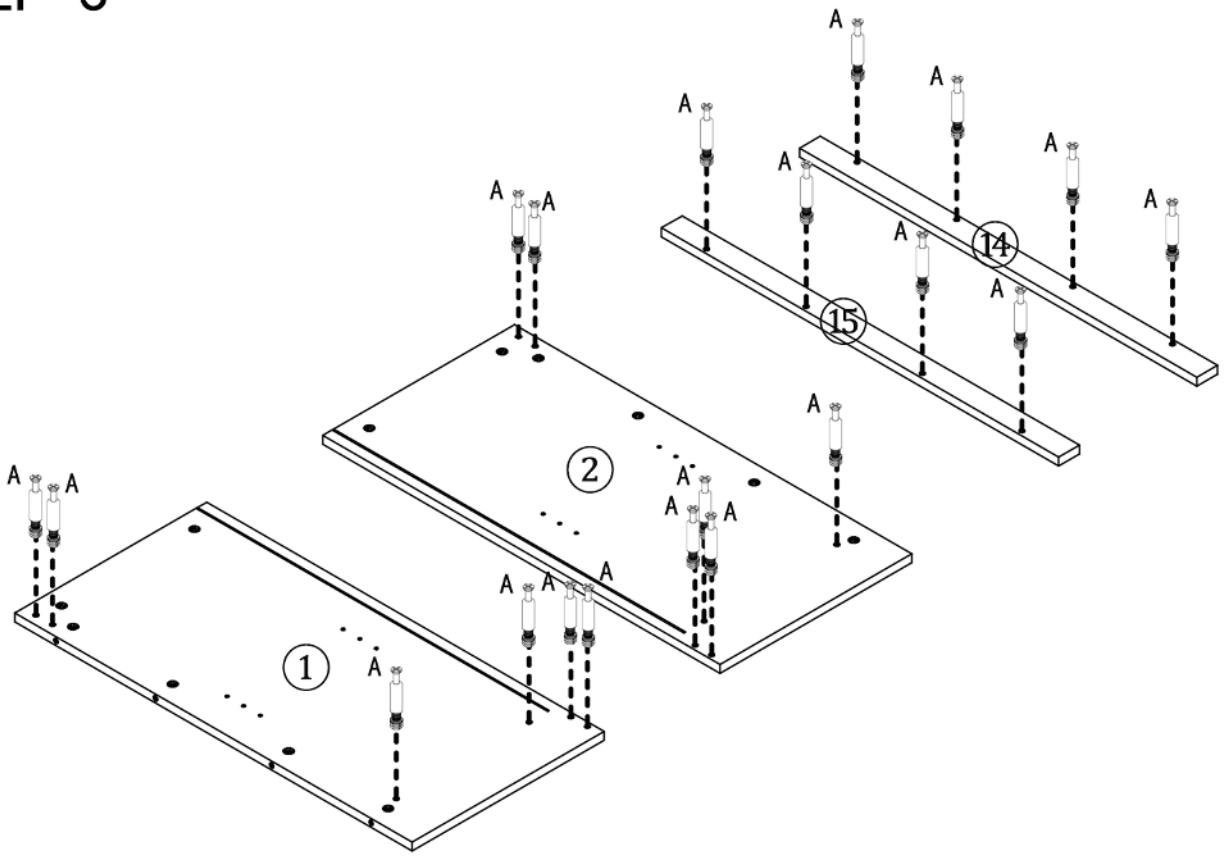
# STEP 1



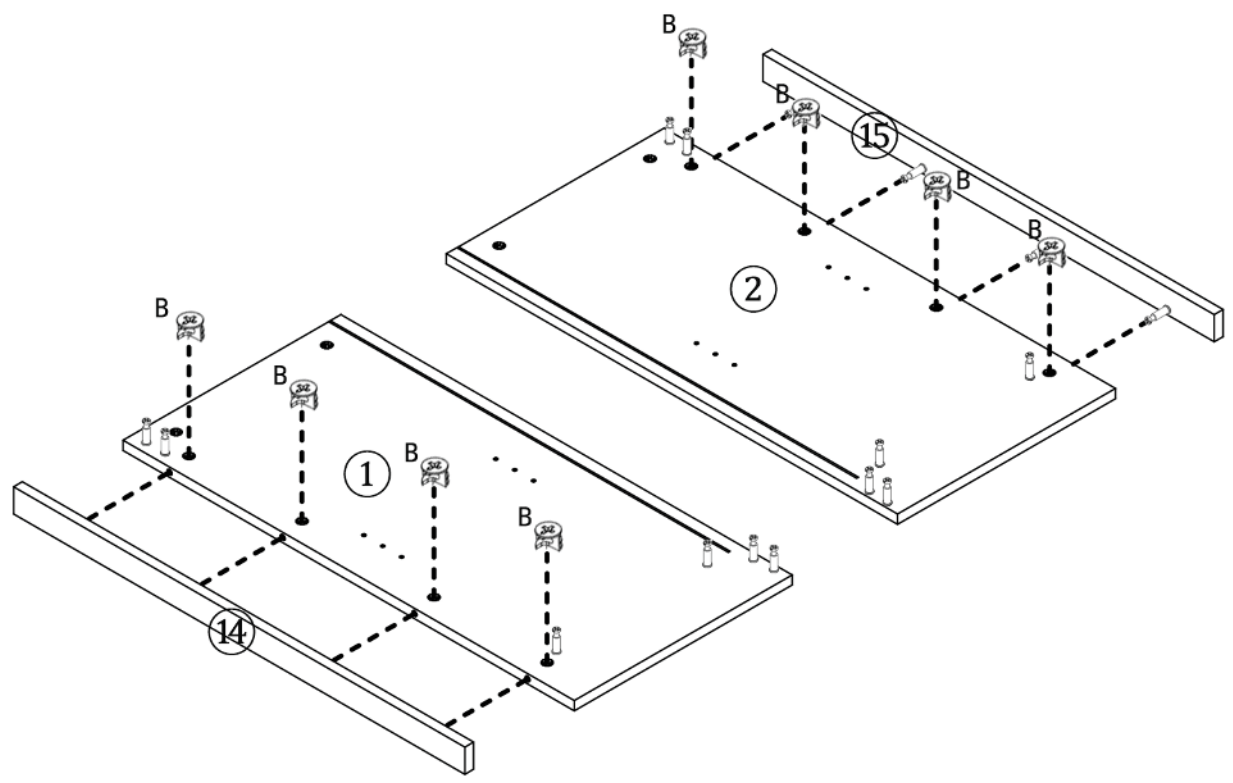
# STEP 2



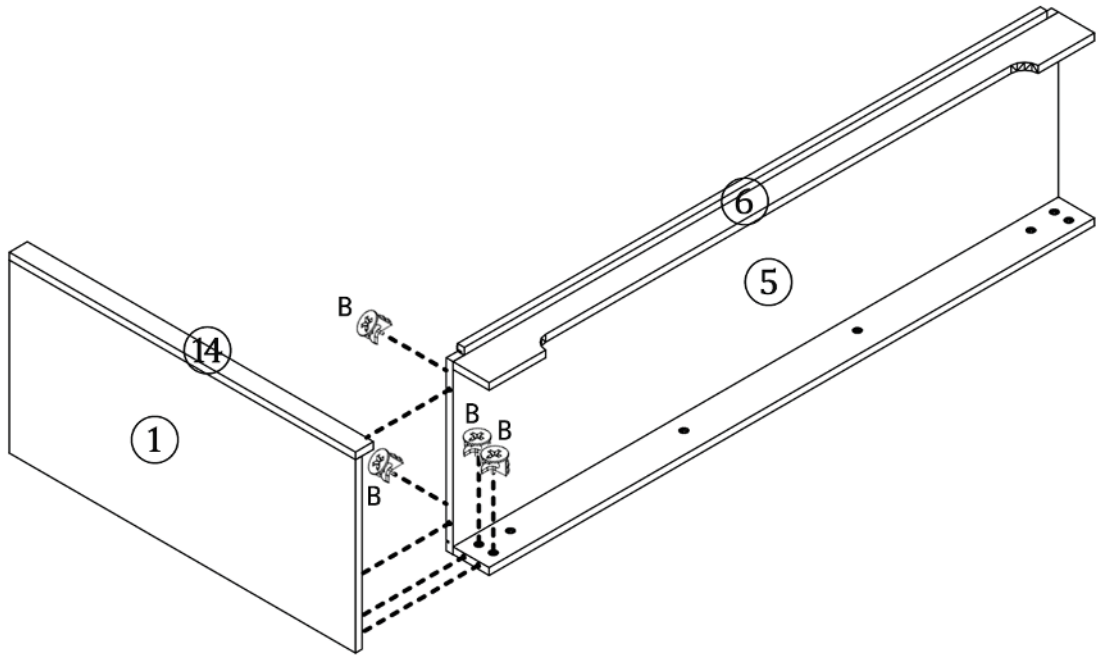
# STEP 3



# STEP 4

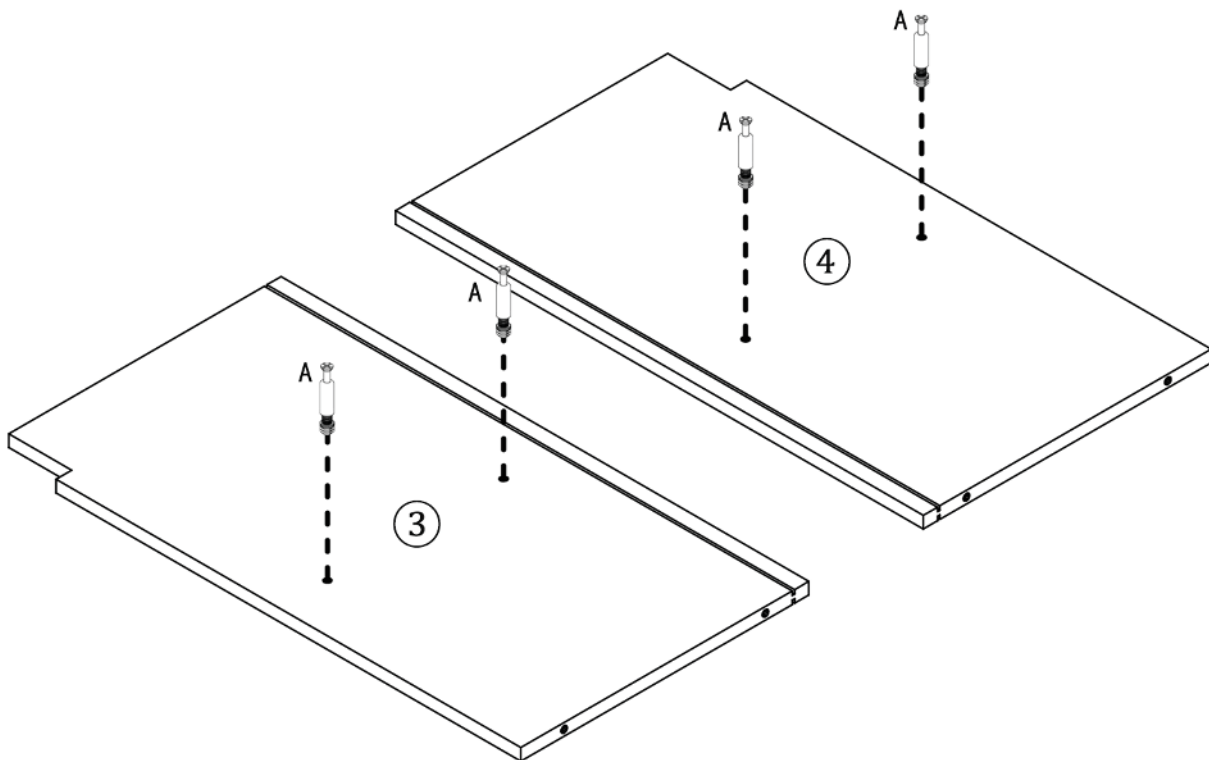


# STEP 5



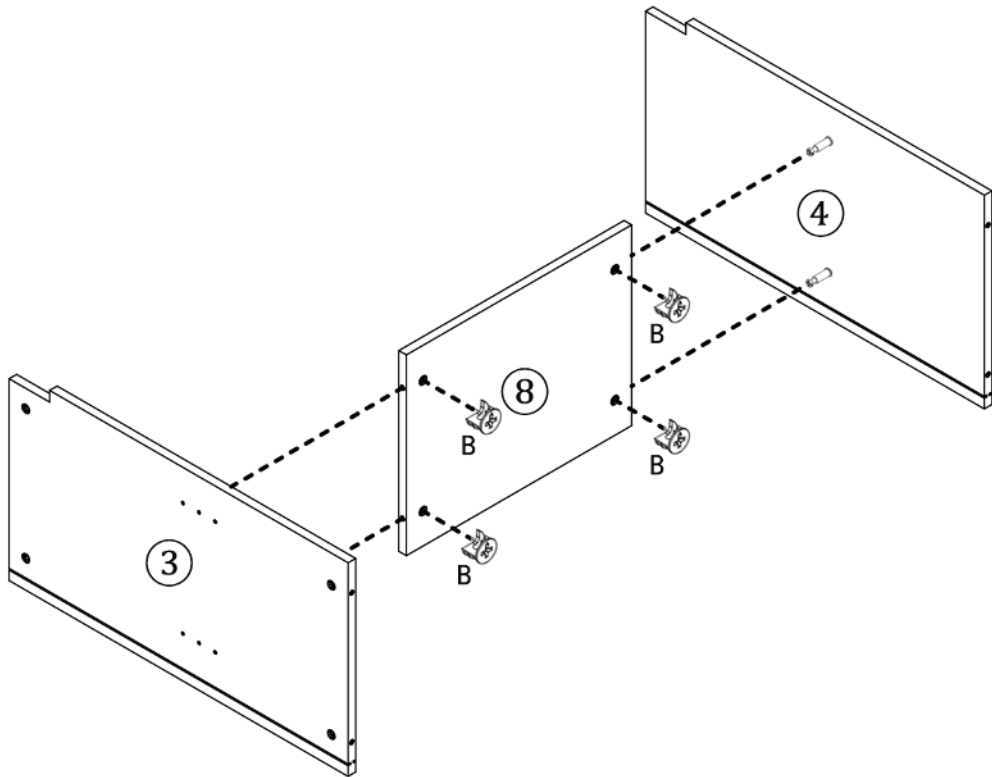
B\*4


# STEP 6



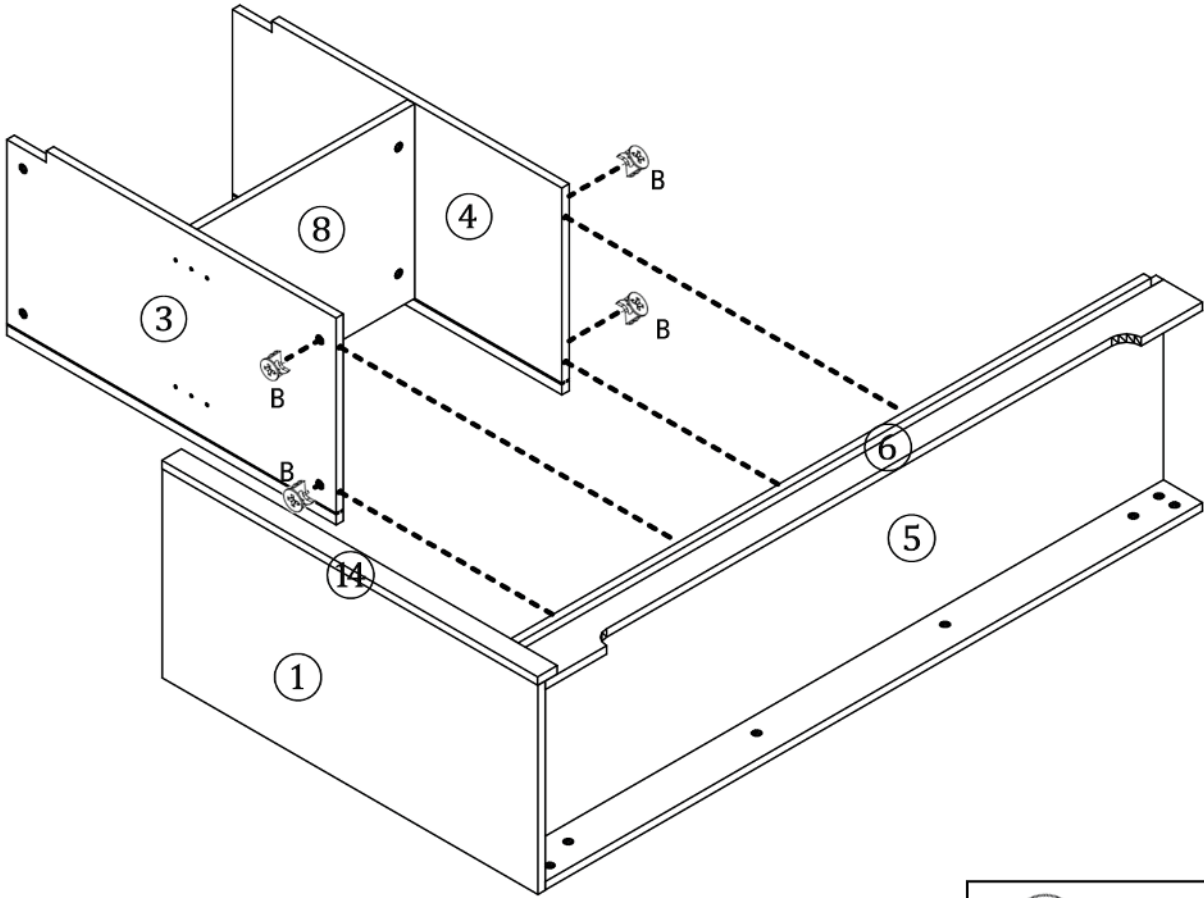
A\*4


# STEP 7



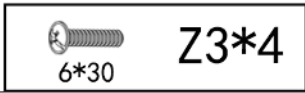
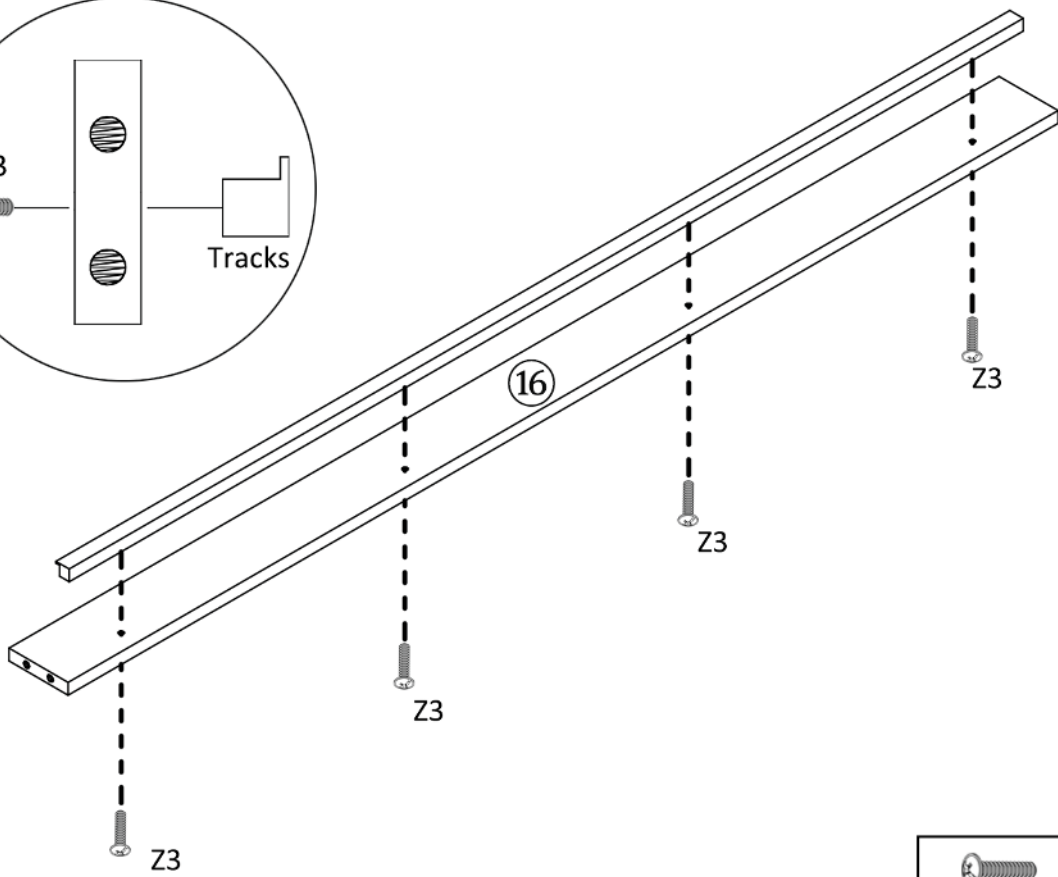
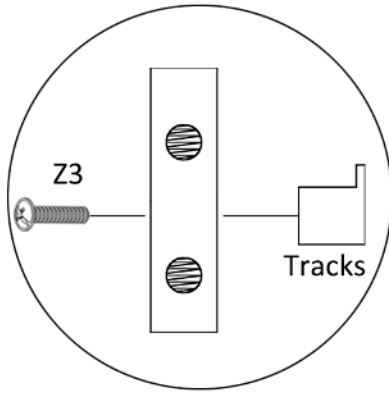
 B\*4

# STEP 8

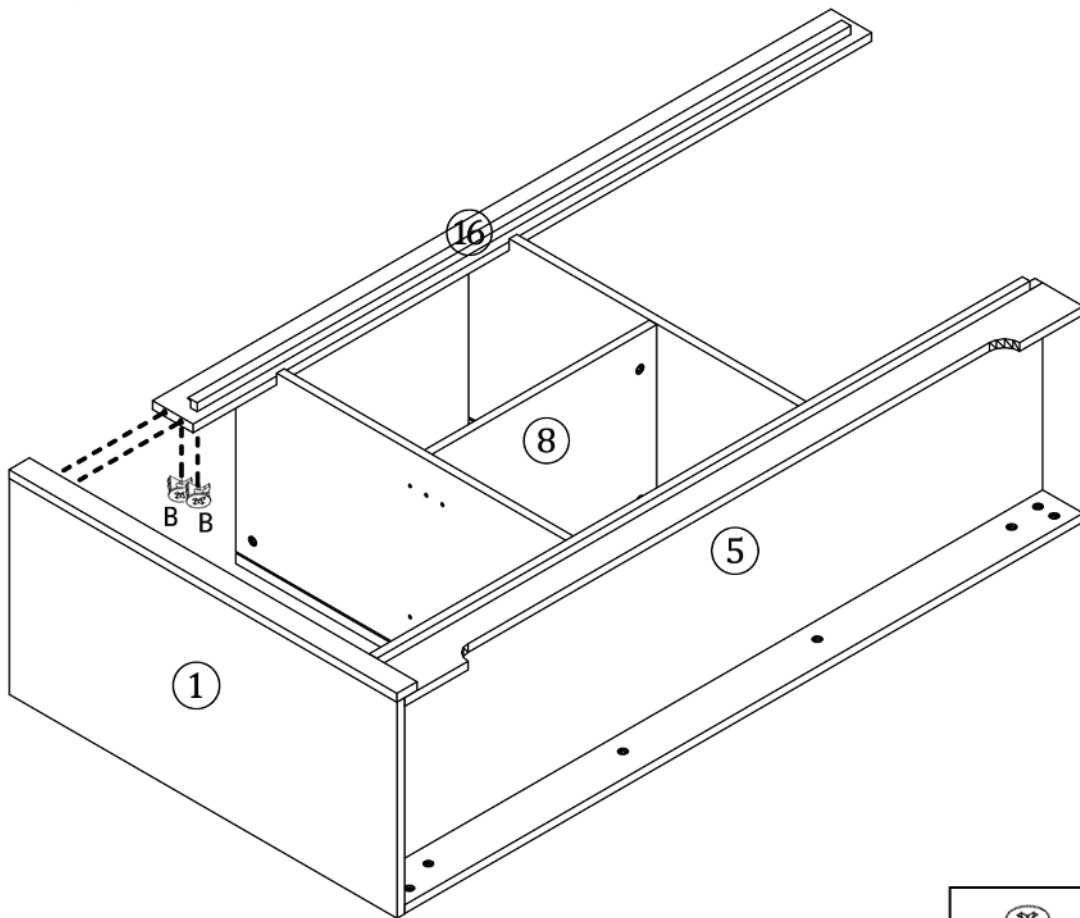


 B\*4

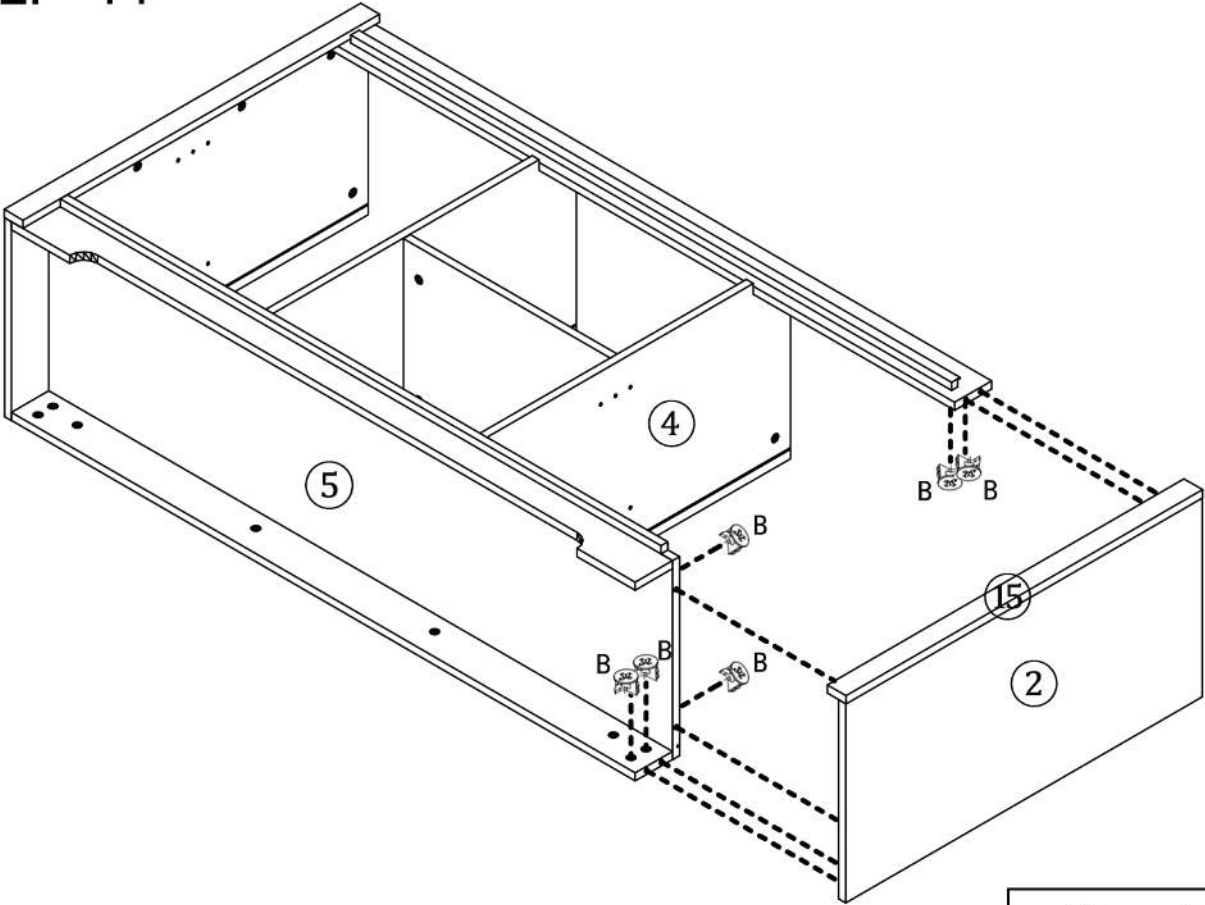
# STEP 9



# STEP 10

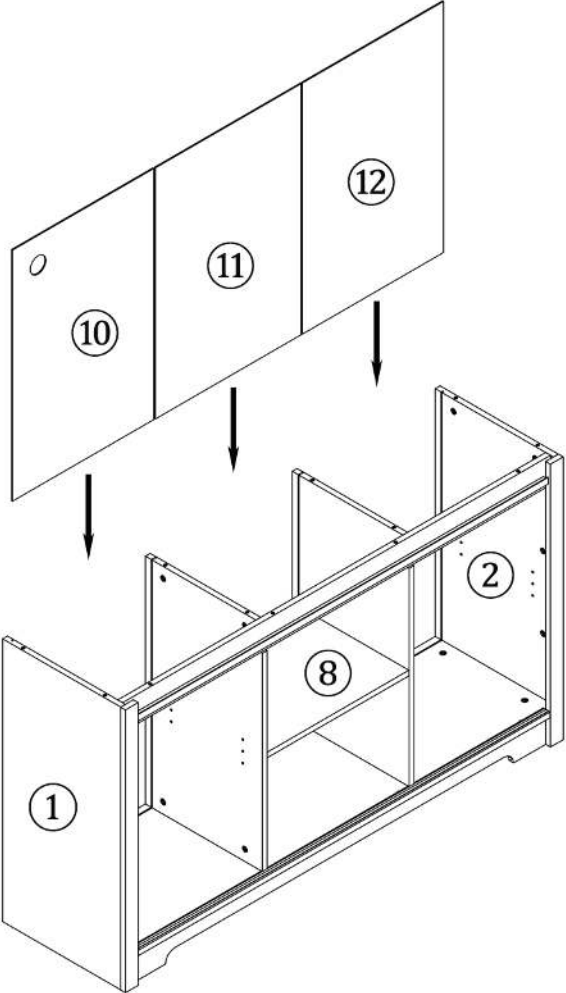


# STEP 11

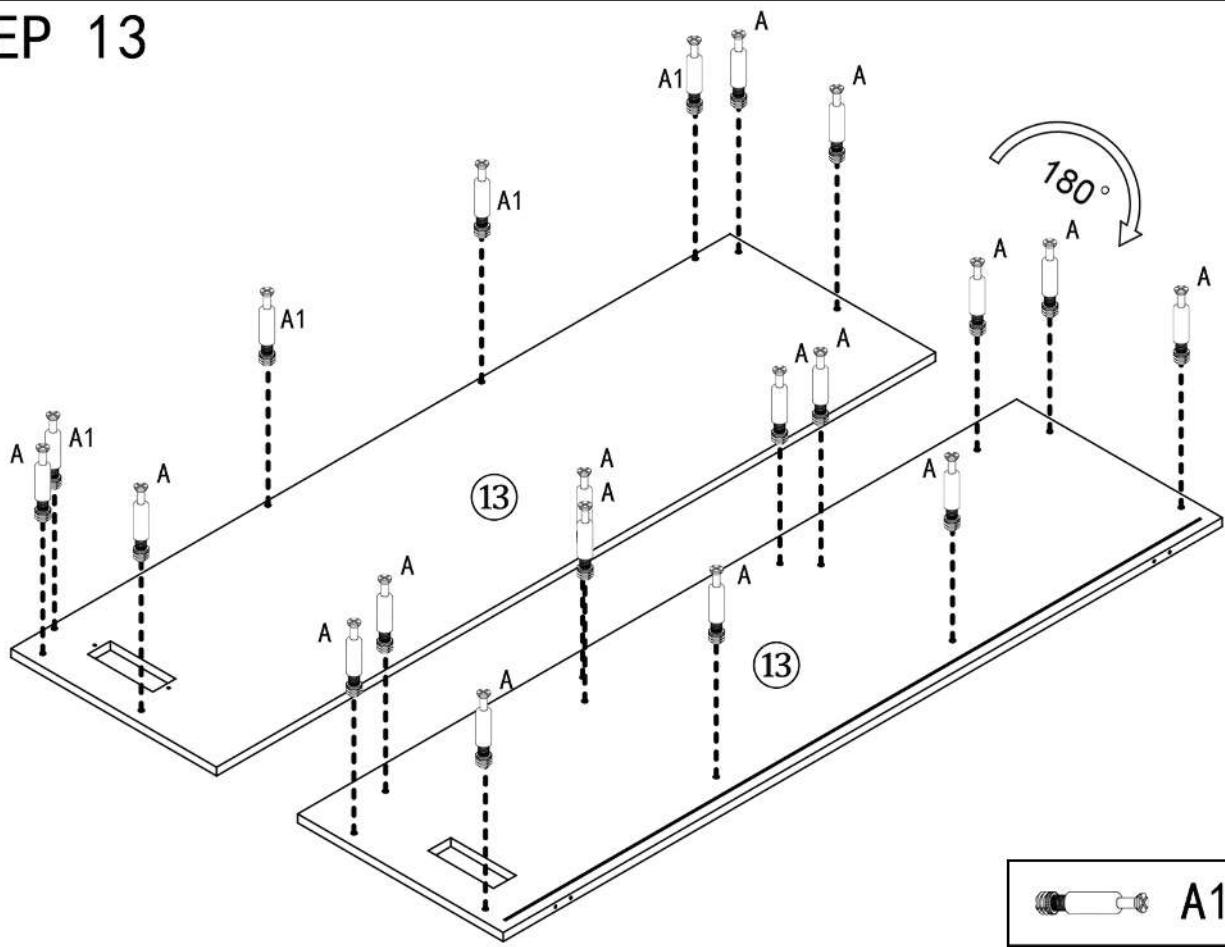




 B\*6

# STEP 12

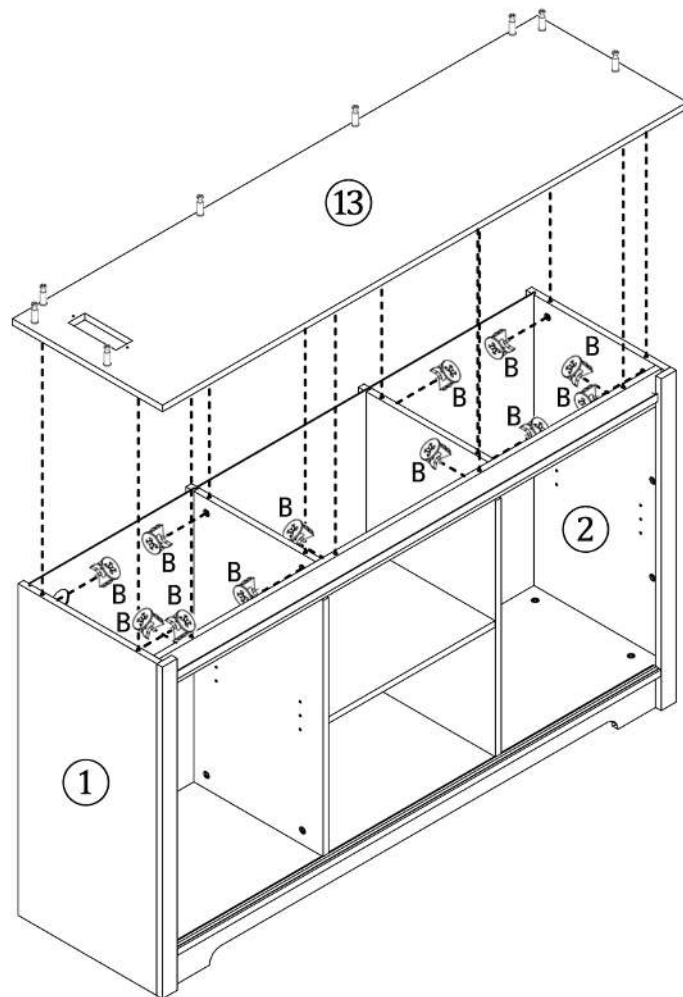


# STEP 13



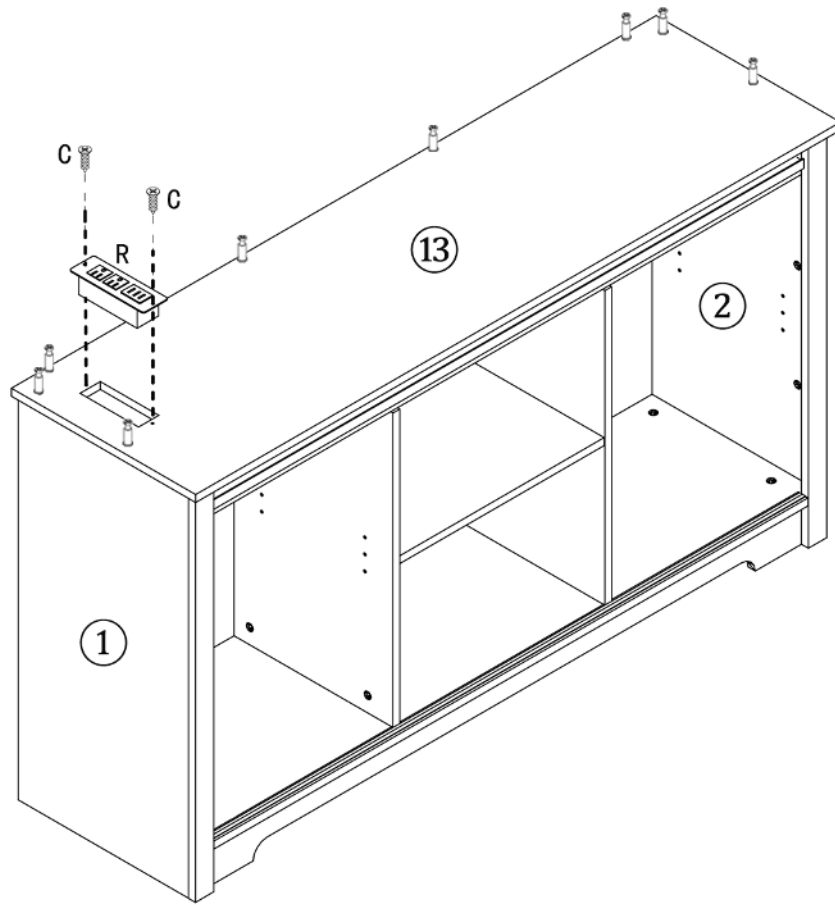
-  A1\*4
-  A\*16



# STEP 14



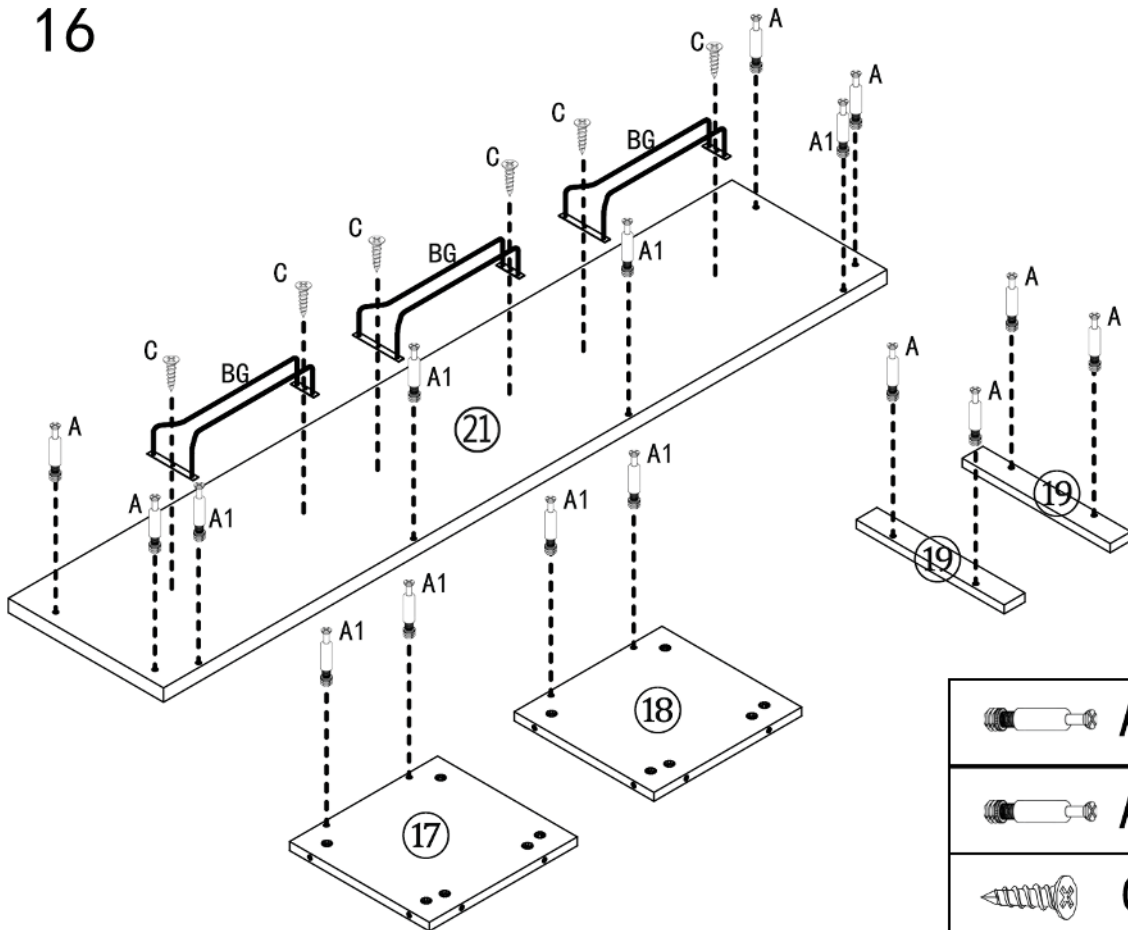
-  B\*12





# STEP 15



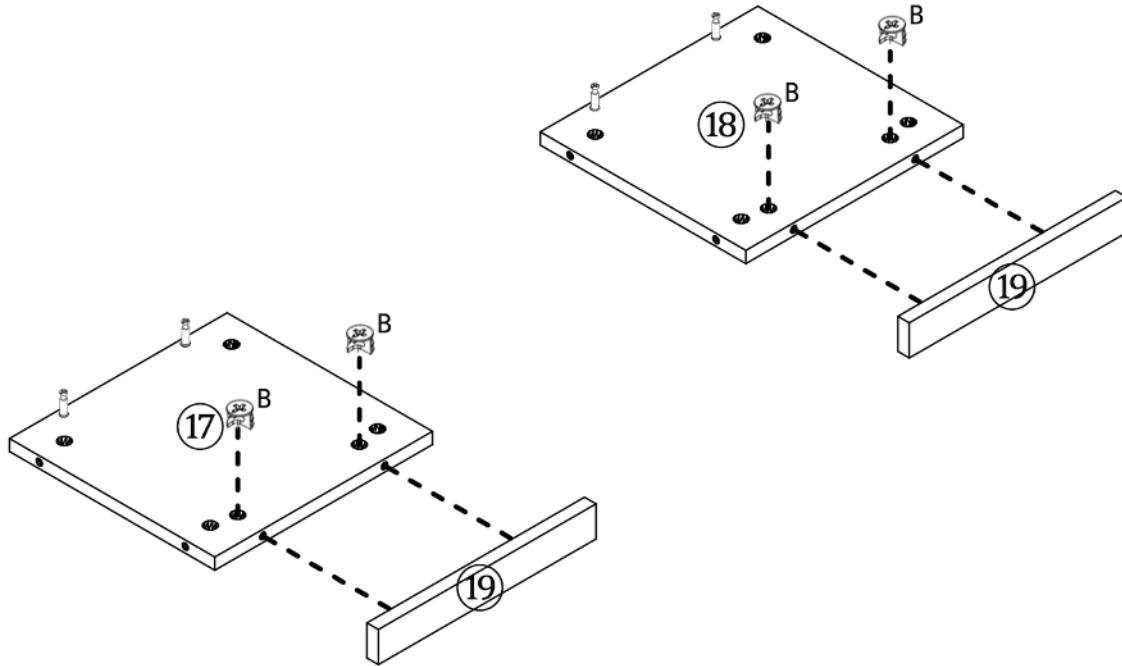
|  |     |
|--|-----|
|   | C*2 |
|  | R*1 |

# STEP 16



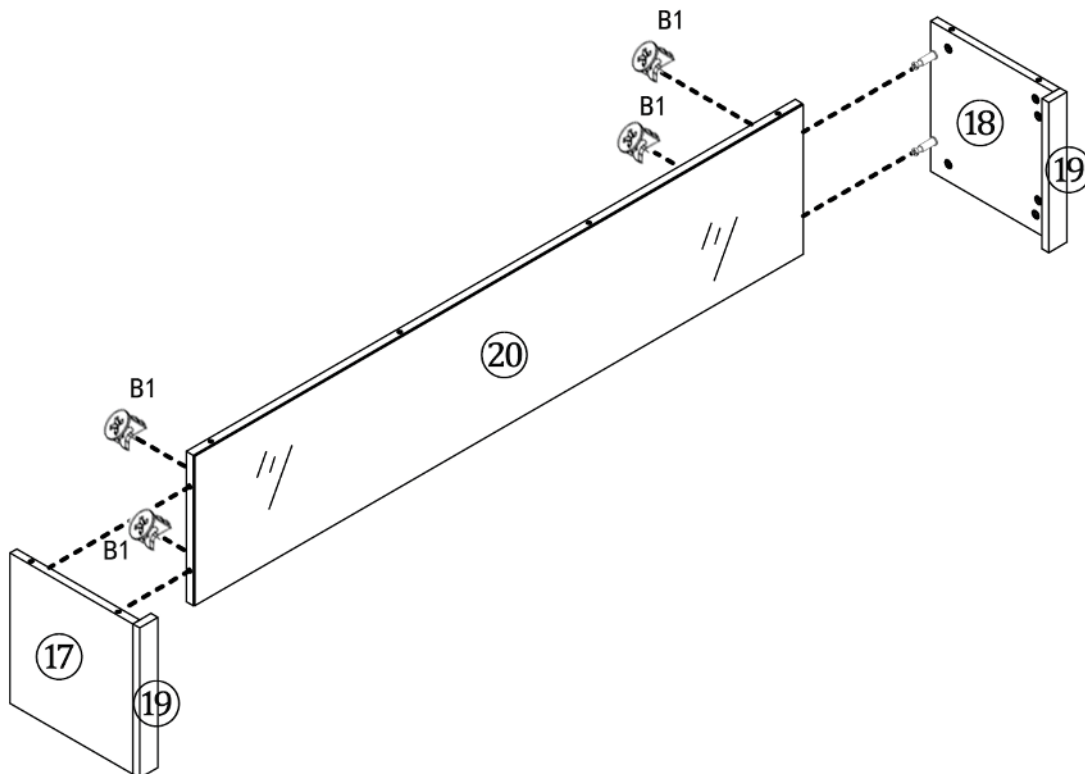
|   |      |
|---|------|
|  | A1*8 |
|  | A*8  |
|  | C*6  |
|  | BG*3 |

# STEP 17



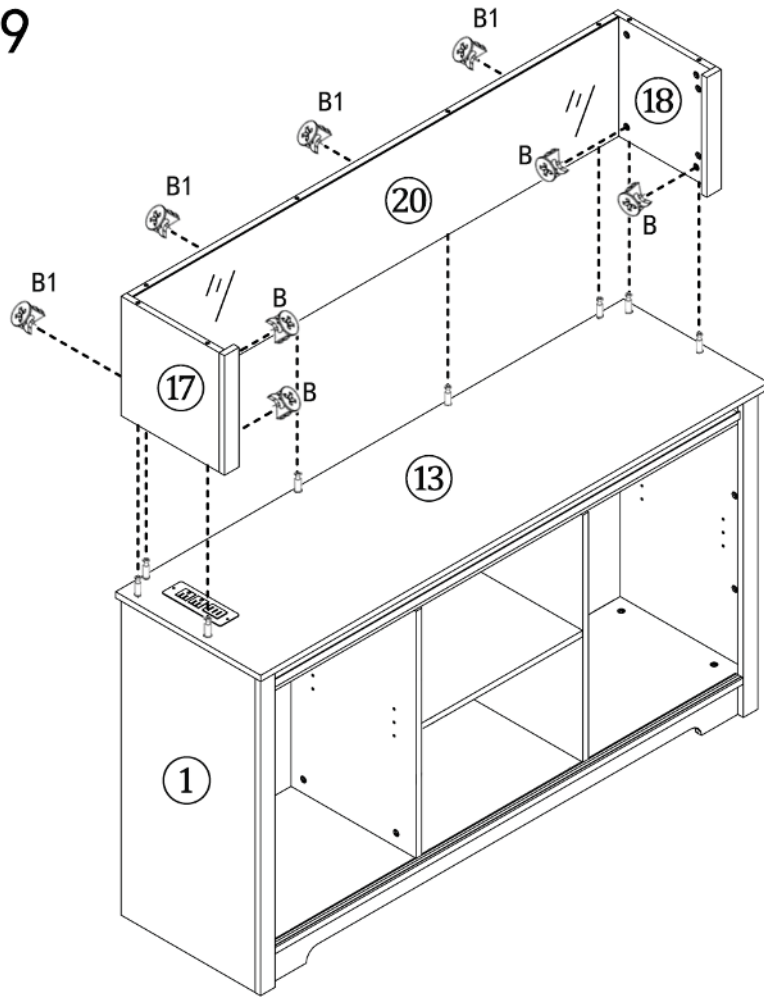
B\*4



# STEP 18



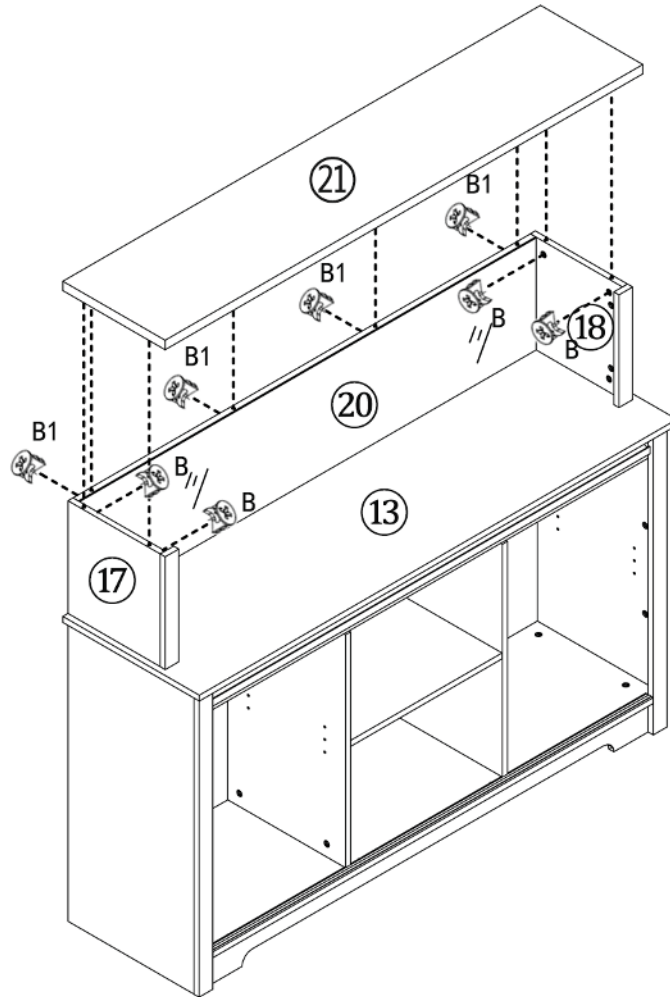
B1\*4



# STEP 19



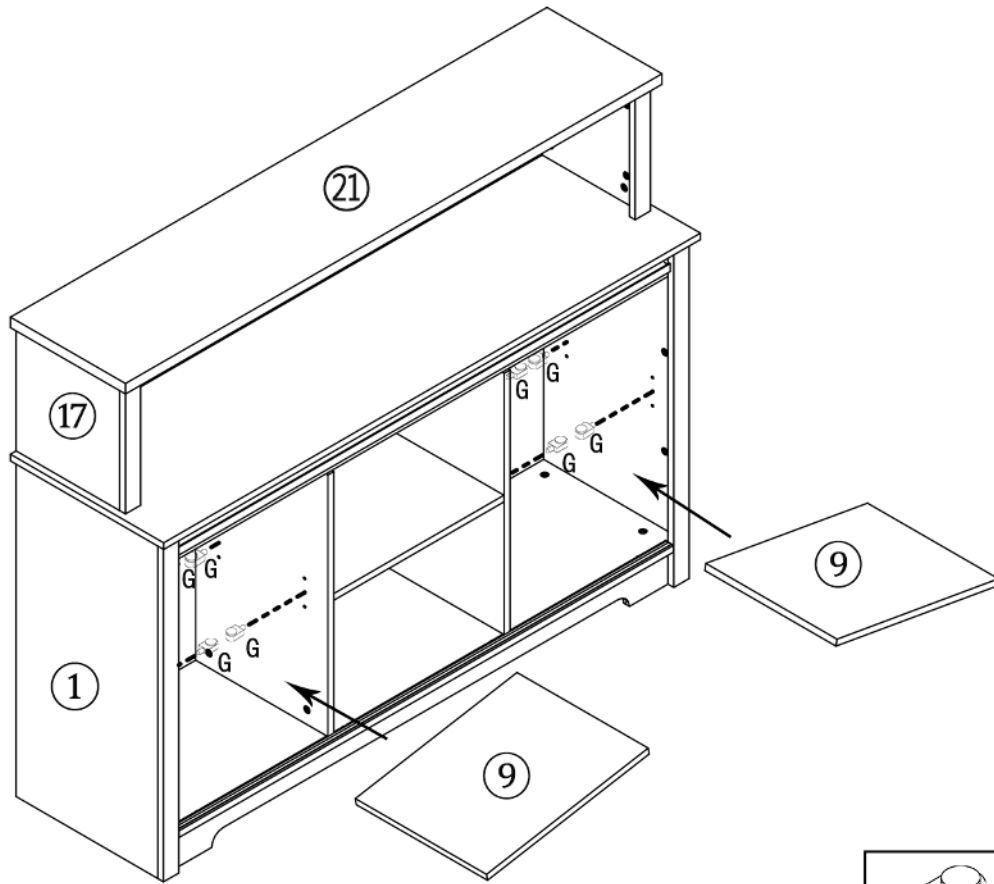
|  |      |
|--|------|
|   | B1*4 |
|  | B*4  |

# STEP 20

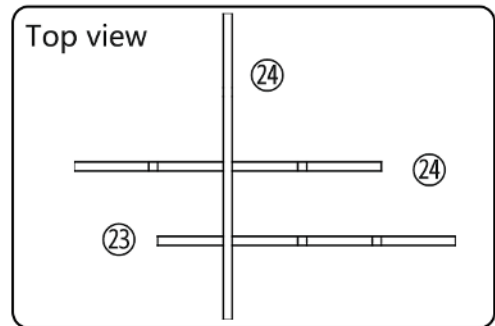
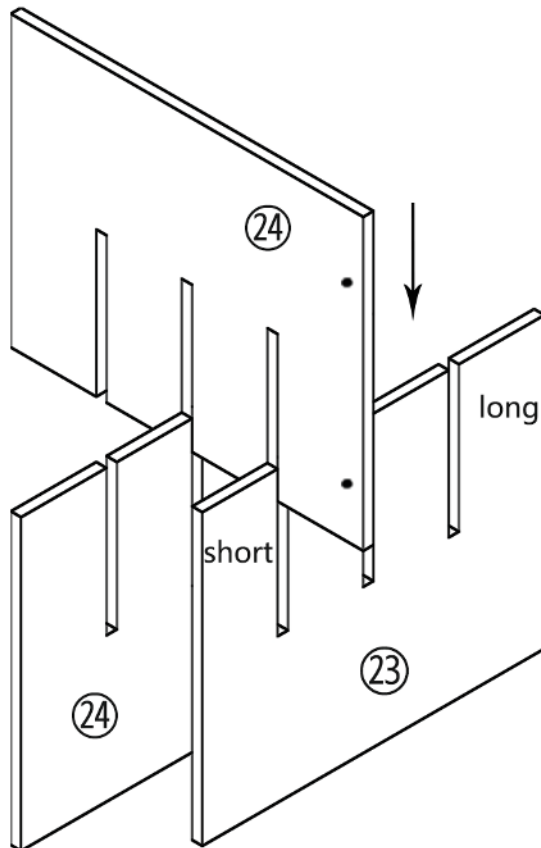


|   |      |
|---|------|
|  | B1*4 |
|  | B*4  |

# STEP 21

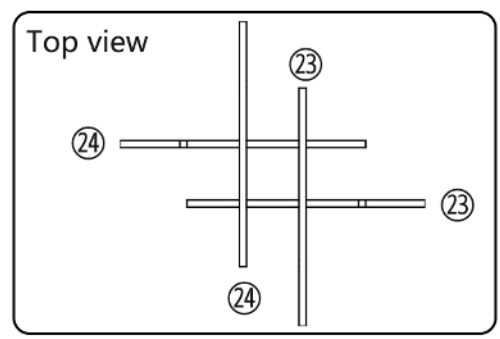
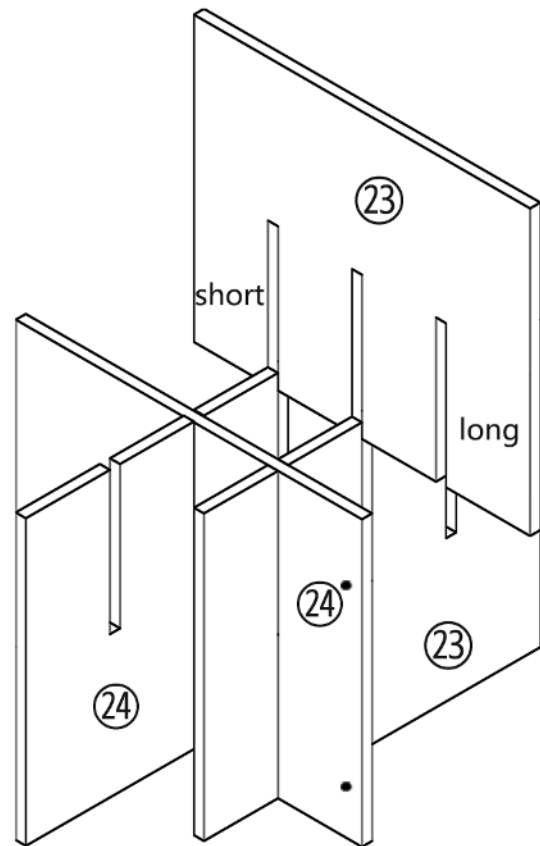


# STEP 22



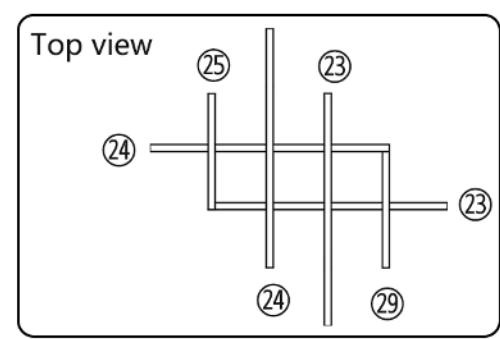
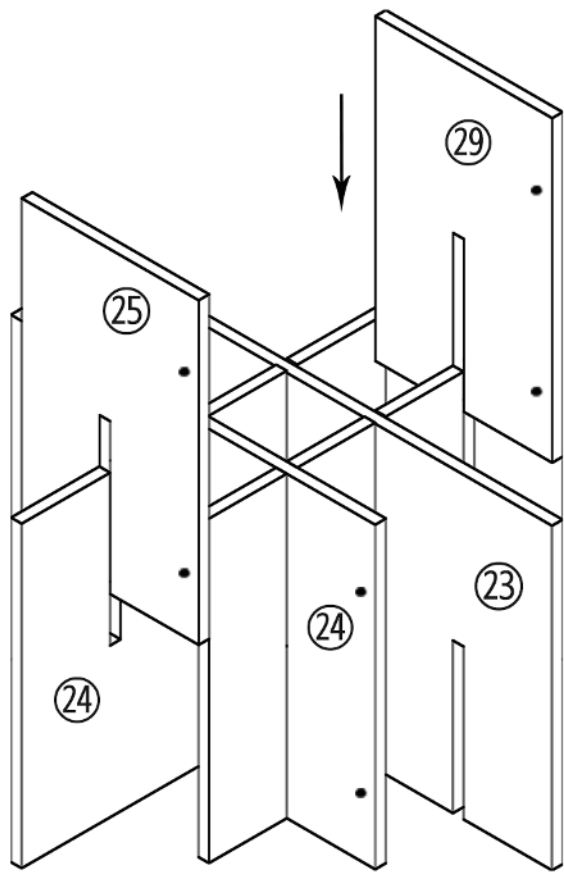
Attention: Board 23 direction

# STEP 23



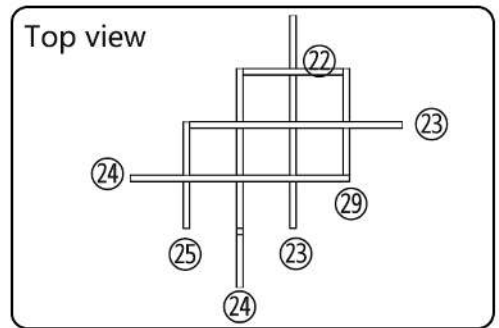
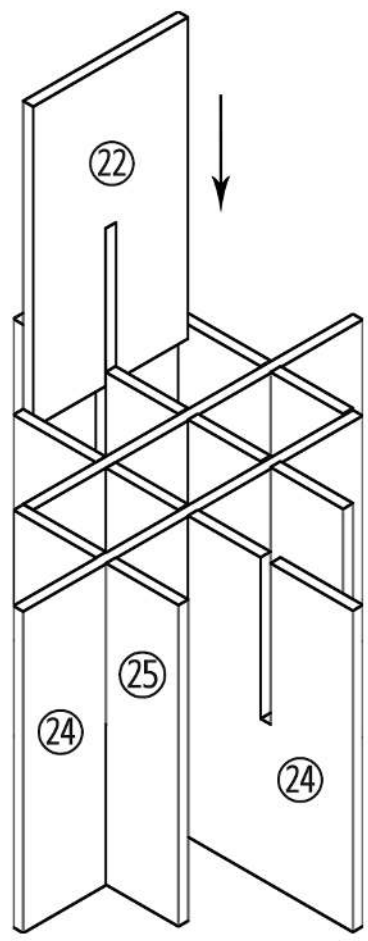
Attention: Board 23 direction

# STEP 24

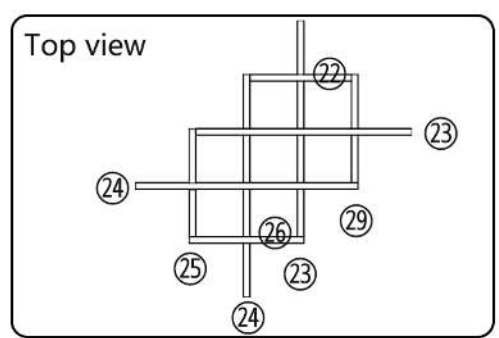
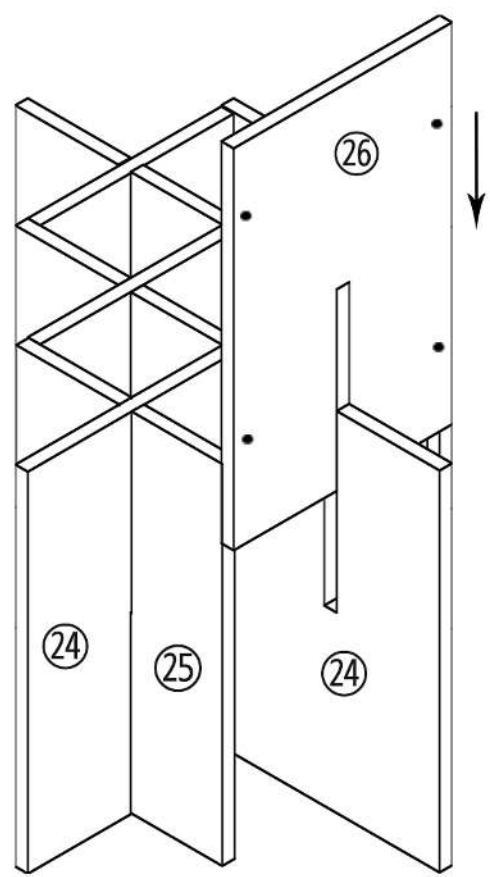


# STEP 25

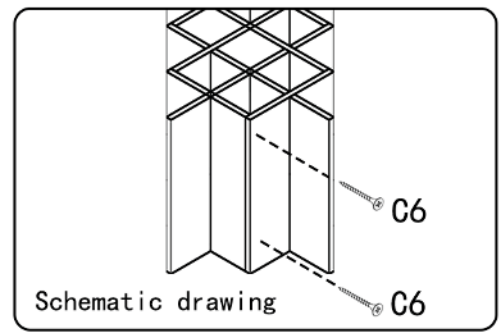
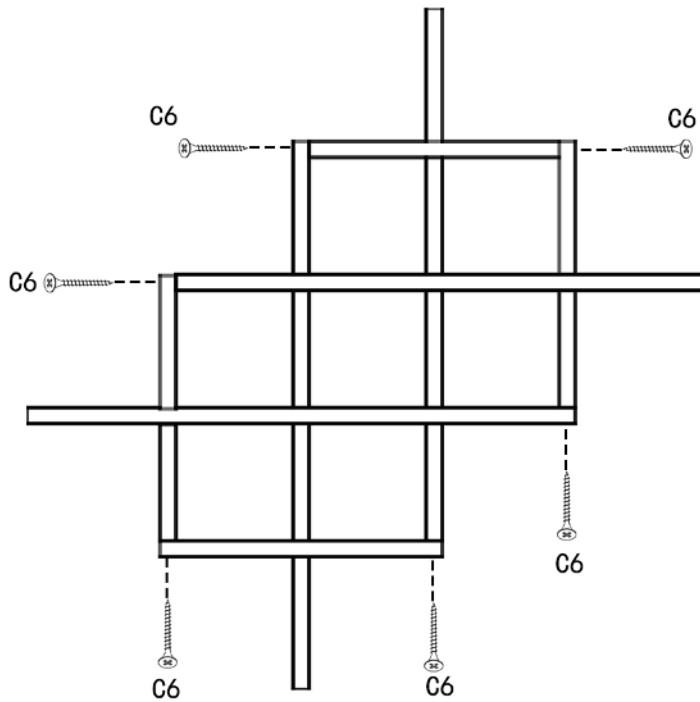
180°  
Flip



# STEP 26



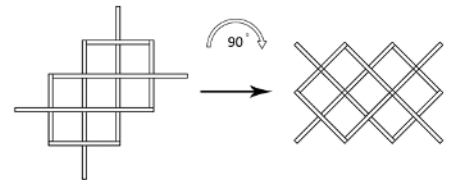
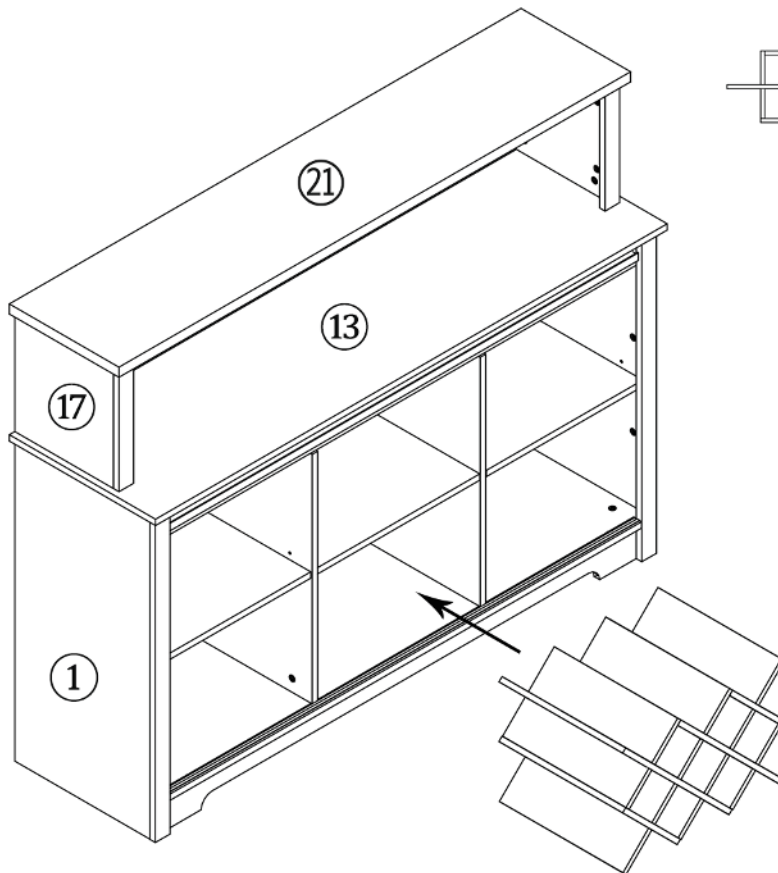
# STEP 27



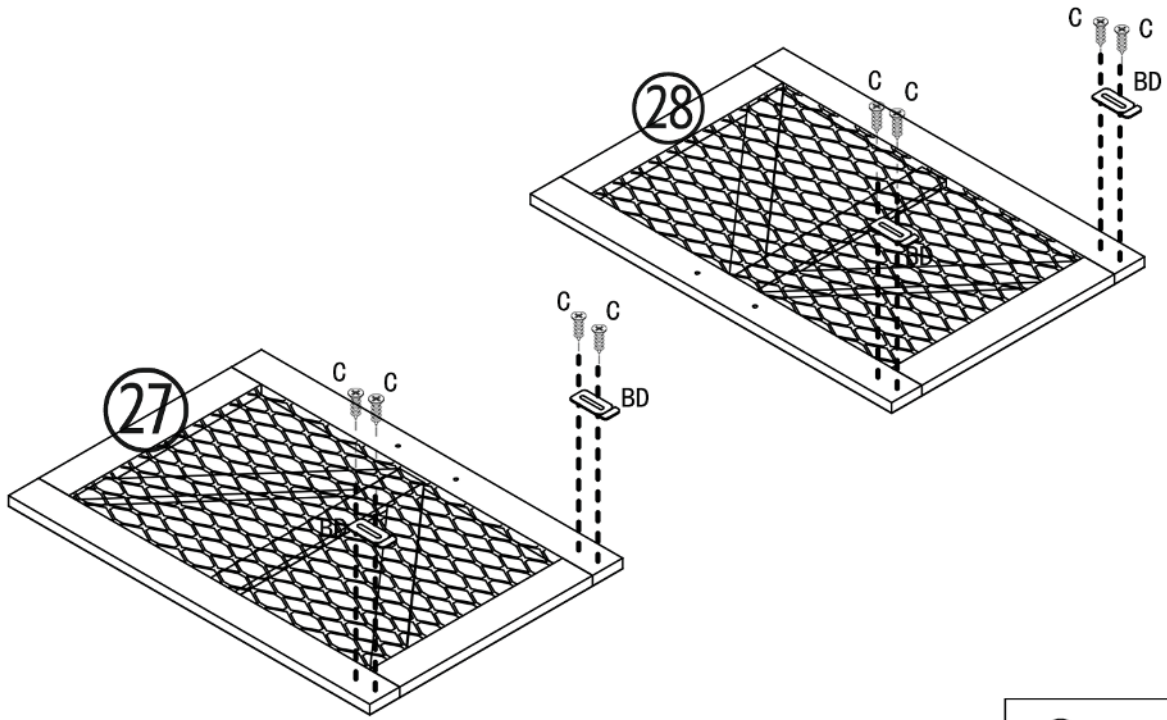
Each side has two self-tapping fixed





# STEP 28

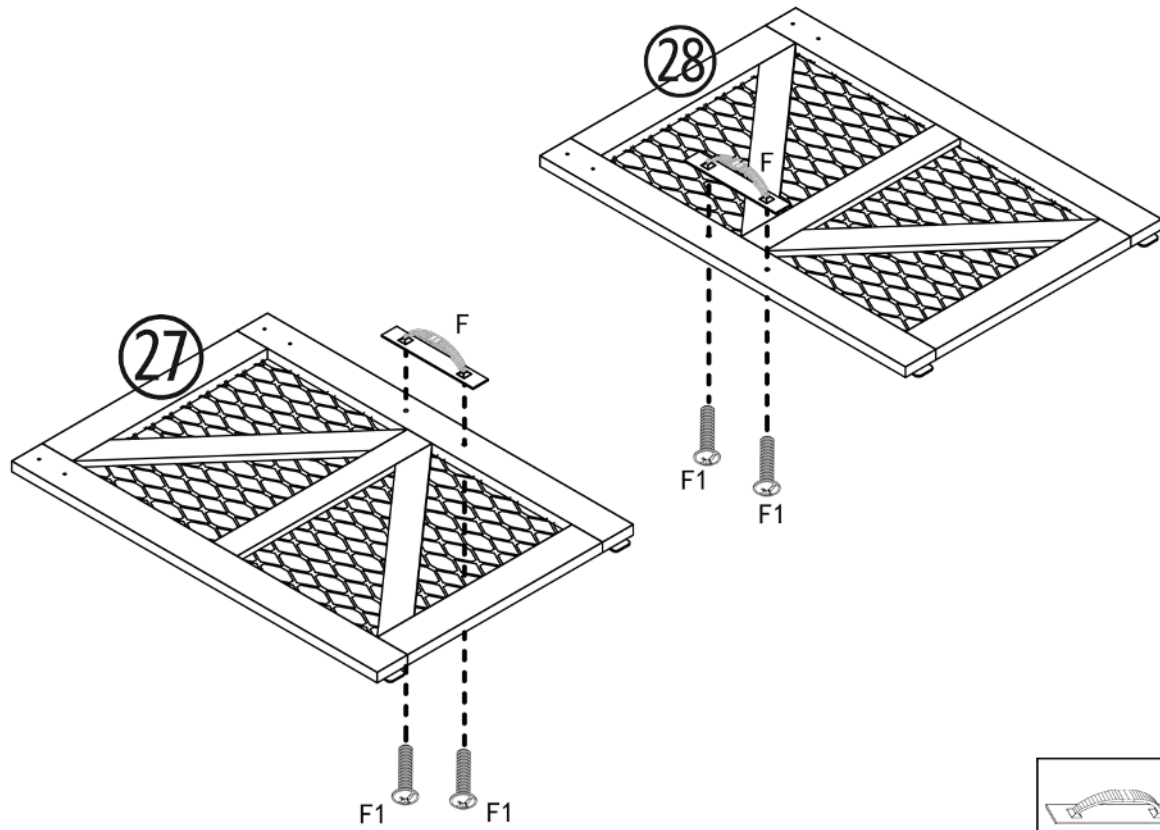




# STEP 29



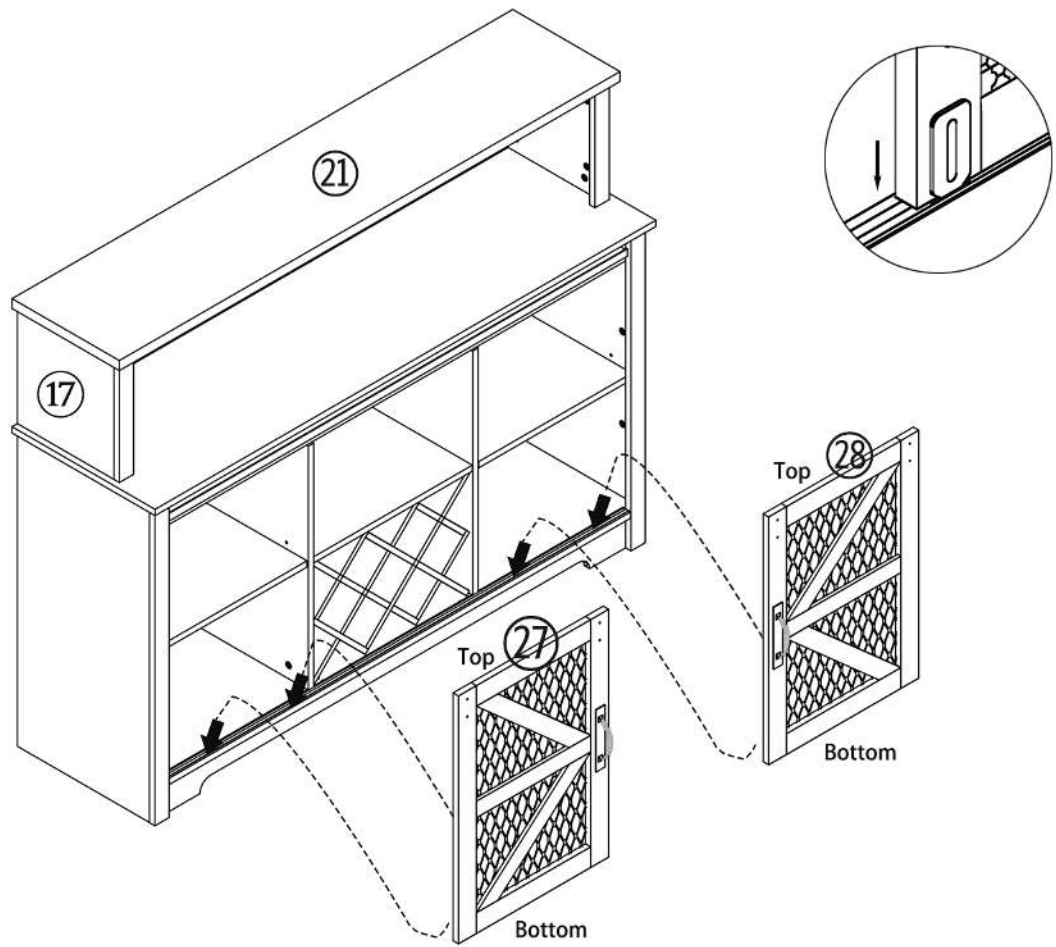
- |  |      |
|--|------|
|   | BD*4 |
|  | C*8  |

# STEP 30



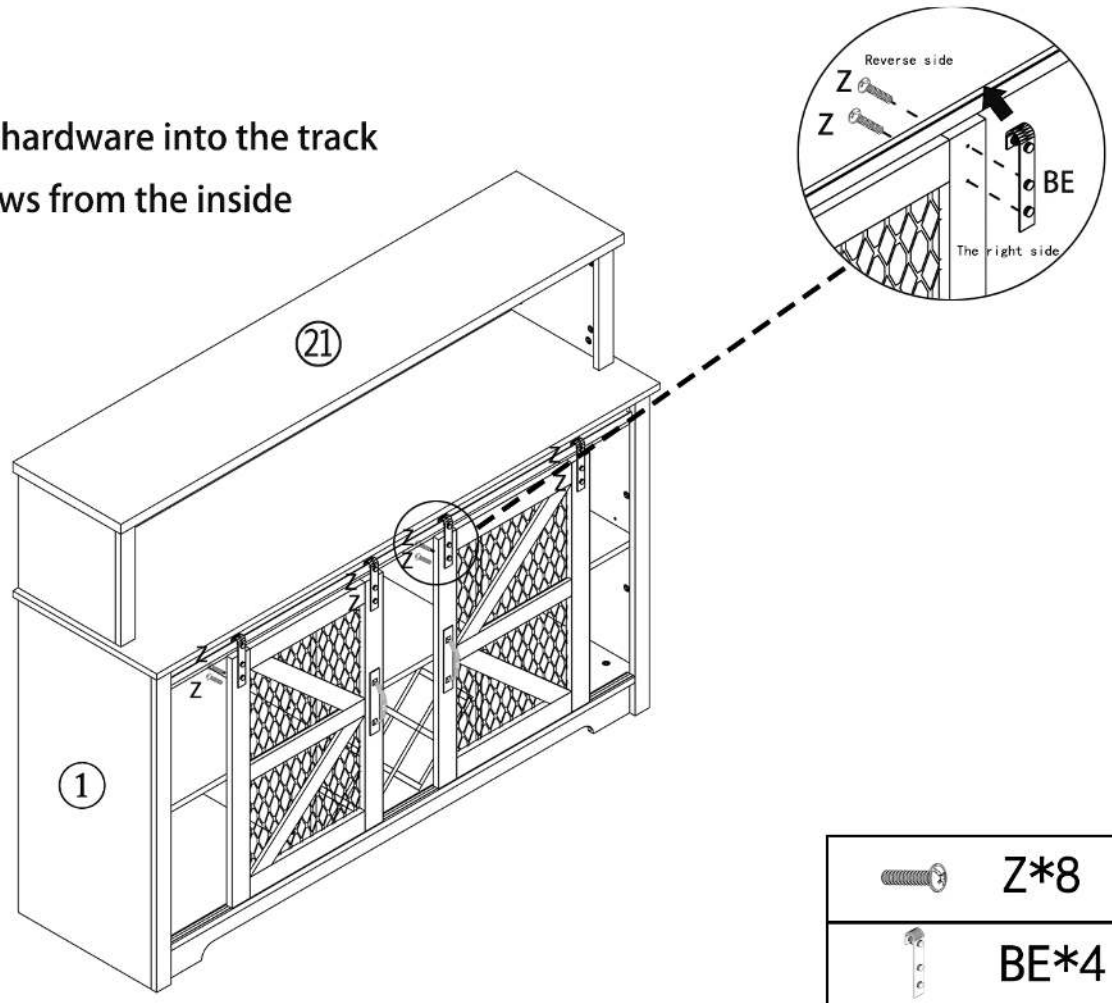
- |   |      |
|---|------|
|  | F*2  |
|  | F1*4 |

# STEP 31

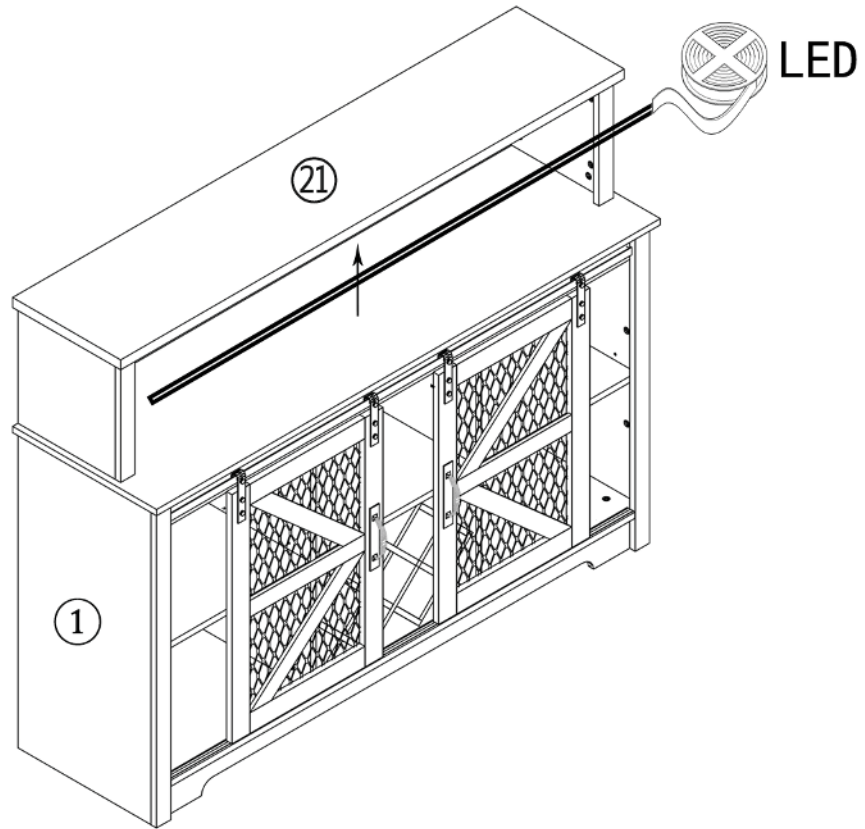


# STEP 32

1. Put the BE hardware into the track
2. Install screws from the inside



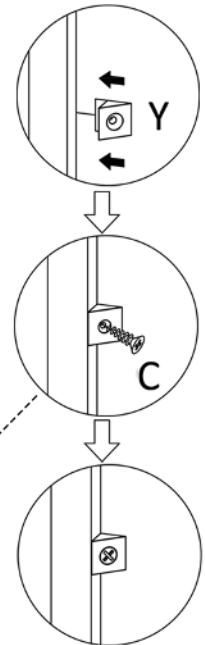
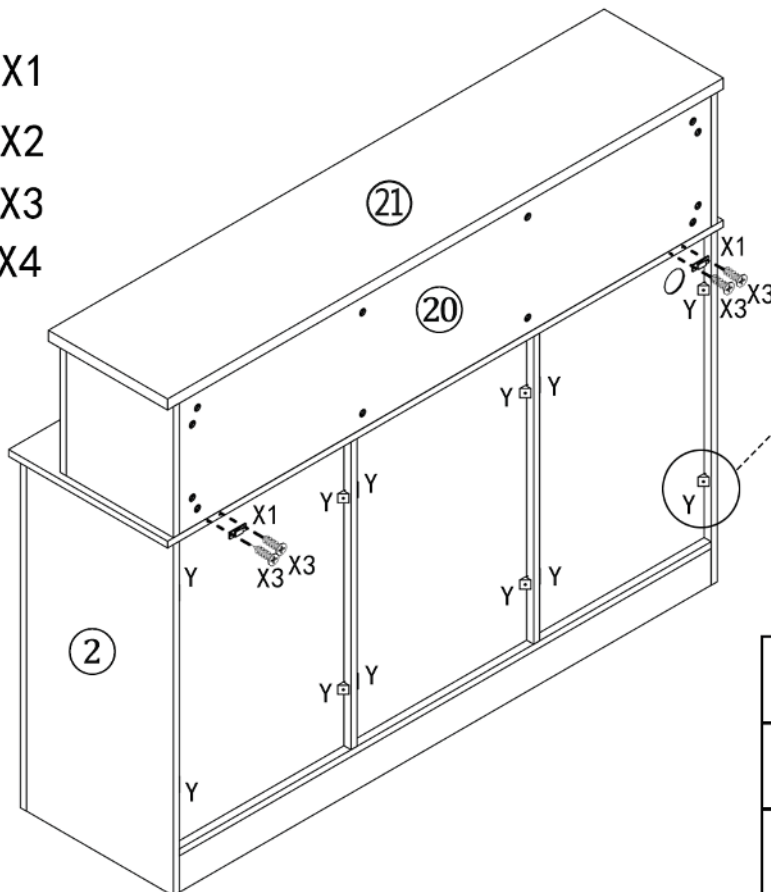
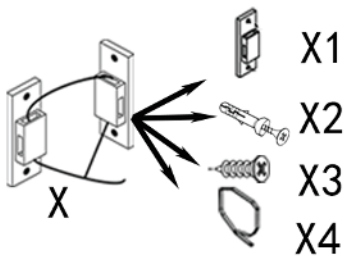
# STEP 33



Please paste the LED light belt on board 21



# STEP 34

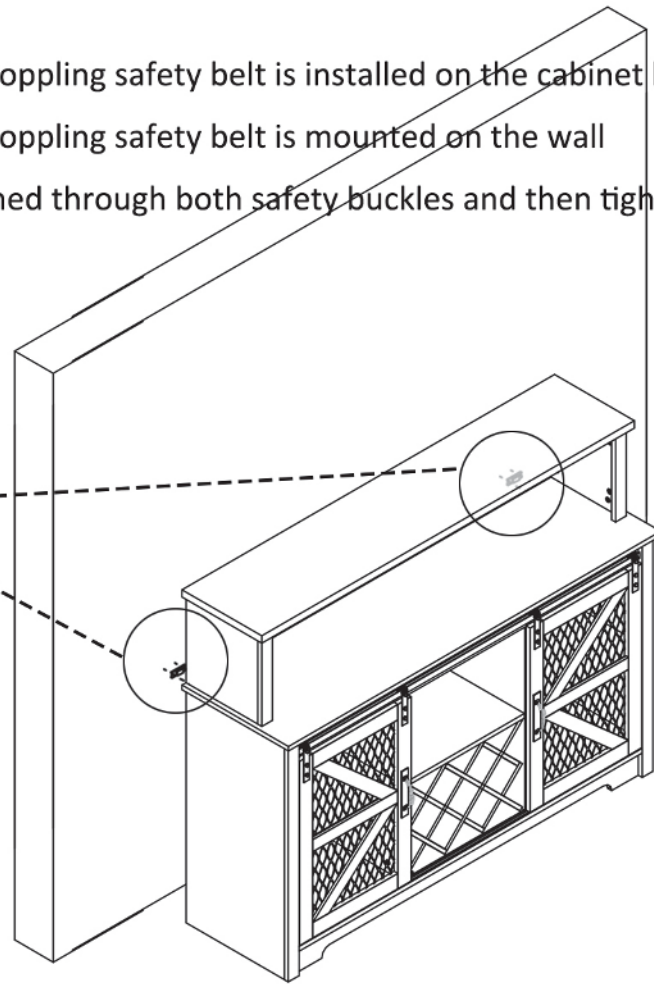
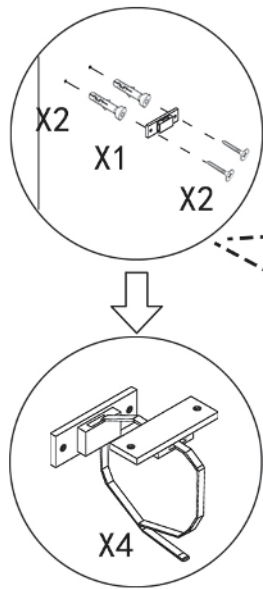



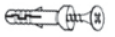

|  |      |
|--|------|
|  | C*12 |
|  | Y*12 |
|  | X1*2 |
|  | X3*4 |

Please open the X attachment, take out X1 and X3 and install them on board No. 13

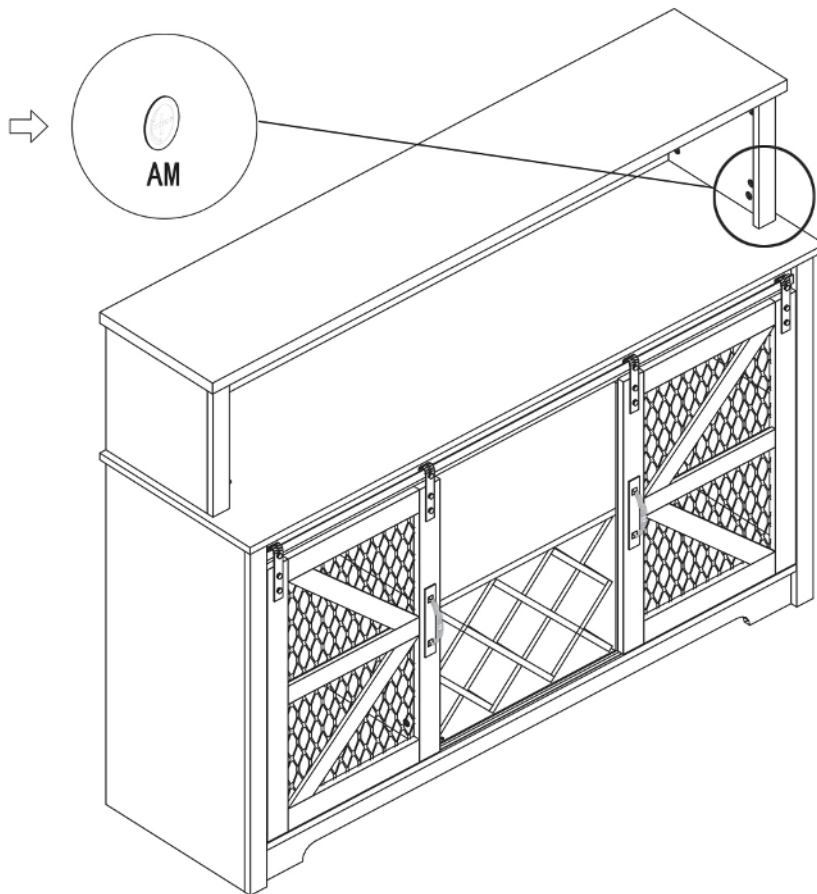
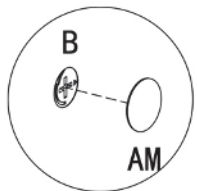
# STEP 35

1. One side of the anti-toppling safety belt is installed on the cabinet body
2. One side of the anti-toppling safety belt is mounted on the wall
3. The seat belt is fastened through both safety buckles and then tightened



|  |      |
|--|------|
|   | X1*2 |
|   | X2*4 |
|  | X4*2 |

# STEP 36



|   |       |
|---|-------|
|  | AM*38 |
|---|-------|

Decorative paper