

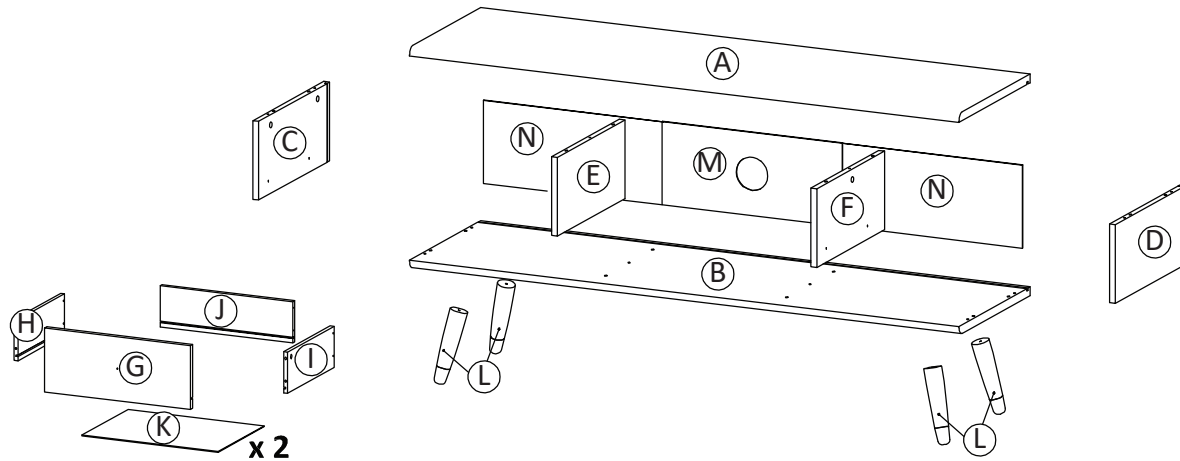
CARE AND MAINTENANCE

Always use felt pads under all articles to prevent discoloration or softening of the lacquer. Plastic and rubber bases on items can discolor wood. Wipe up spills immediately and avoid common hazards such as hot dishes, harsh solvents and abrasives. Cleaning should be done with a soft lint free cotton cloth dampened with water or furniture polish. On highly used surfaces we recommend applying a quality paste wax which should be used on a regular basis to provide additional protection from scratches and spills. How often you apply the wax depends on how much wear the furniture receives.

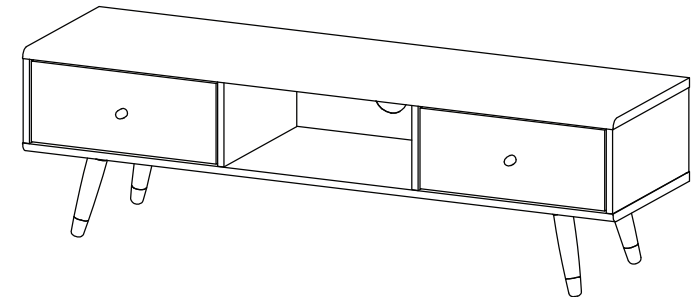
NOTICE

- * Please make sure that you have all parts indicated before you begin assembly of this item
- * This item should be assembled on a soft surface to prevent scratching the finish during assembly
- * This item may require periodic tightening

Part List and Hardware List



Product Dimensions: 55.1"W x 15.4"D x 16.3"H



HW1x10 ∅ 6 x 35 mm 	HW2x6 ∅ 15 mm 	HW3x4 ∅ 12 mm 	HW4x16 ∅ 8 x 30 mm 	HW5x4 ∅ 8 x 30 mm 	HW6x6 M 7 x 50 mm
HW7x1 L 4 	HW8x2 300 mm 	HW9x22 M 6 x 10.5 mm 	HW10x12 M 3.5 x 13 mm 	HW11x8 M 8 x 39 mm 	HW12x10 9 x 14 x 10 mm
HW13x10 M 3.5 x 15.5 mm 	HW14x4 	HW15x20 M 4.5 x 12.5 mm 	HW16x1 		HW17x2 M 3.5 x 25 mm
HW18x2 	HW19x2 M 3 x 17 mm 	HW20x2 			

! WARNING :
WEIGHT CAPACITY: 60 LBS.
DO NOT STAND ON TV STAND

Part List & HW for Multi-Box Items

Piece	Description	Qty	Carton Call
A	Top Board	1	1 of 1
B	Bottom Board	1	1 of 1
C	Side Board Left	1	1 of 1
D	Side Board Right	1	1 of 1
E	Centre Board Left	1	1 of 1
F	Centre Board Right	1	1 of 1
G	Front Drawer	2	1 of 1
H	Side Drawer Left	2	1 of 1
I	Side Drawer Right	2	1 of 1
J	Back Drawer	2	1 of 1
K	Bottom Drawer	2	1 of 1
L	Leg	4	1 of 1
M	Back Board 1	1	1 of 1
N	Back Board 2	2	1 of 1

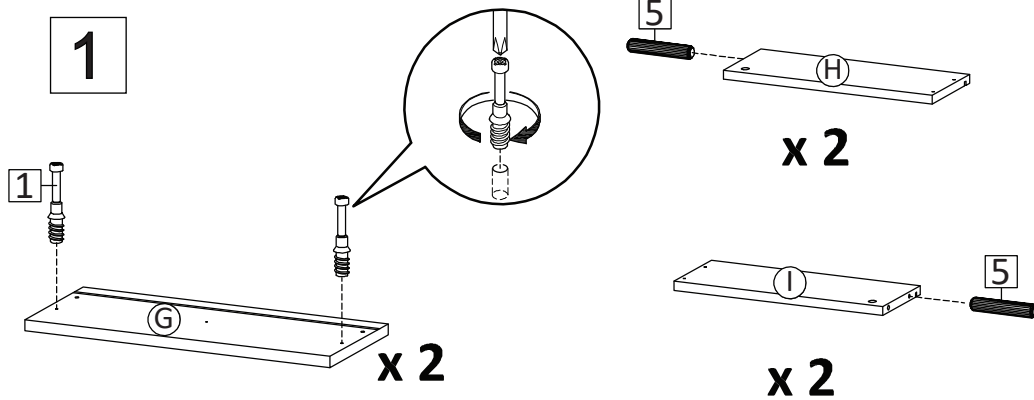
Piece	Description	Qty	Carton Call
HW1	Cambolt	10	1 of 1
HW2	CamLock Big	6	1 of 1
HW3	CamLock Small	4	1 of 1
HW4	Dowel Big	16	1 of 1
HW5	Dowel Small	4	1 of 1
HW6	Screw M 7 x 50 mm	6	1 of 1
HW7	Allen Key	1	1 of 1
HW8	Rail	2	1 of 1
HW9	Screw M 6 x 10.5 mm	22	1 of 1
HW10	Screw M 3.5 x 13 mm	12	1 of 1
HW11	Screw M 8 x 39 mm	8	1 of 1
HW12	Wedge	10	1 of 1
HW13	Screw M 3.5 x 15.5 mm	10	1 of 1
HW14	Leg Mounting Plate	4	1 of 1
HW15	Screw M 4.5 x 12.5 mm	20	1 of 1
HW16	Anti - Deflection Bar	1	1 of 1
HW17	Screw M 3.5 x 25 mm	2	1 of 1
HW18	Handle	2	1 of 1
HW19	Screw M 3 x 17 mm	2	1 of 1
HW20	Back Panel Holder	2	1 of 1

PREPARATION

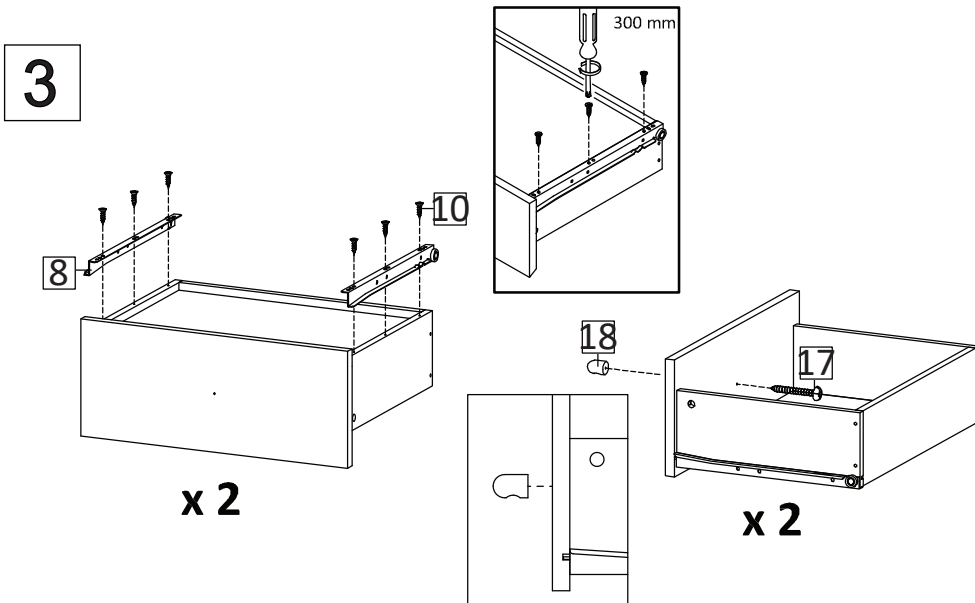
Before beginning assembly of product, make sure all parts are present. Compare parts with package contents list and hardware contents list.

If any part is missing or damaged, do not attempt to assemble the product.

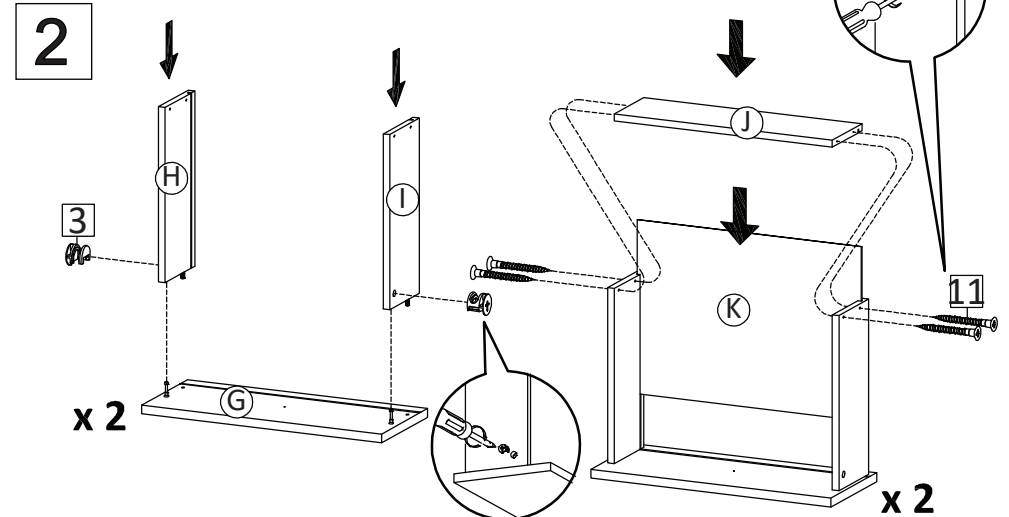
Estimated Assembly Time: 60 minutes.



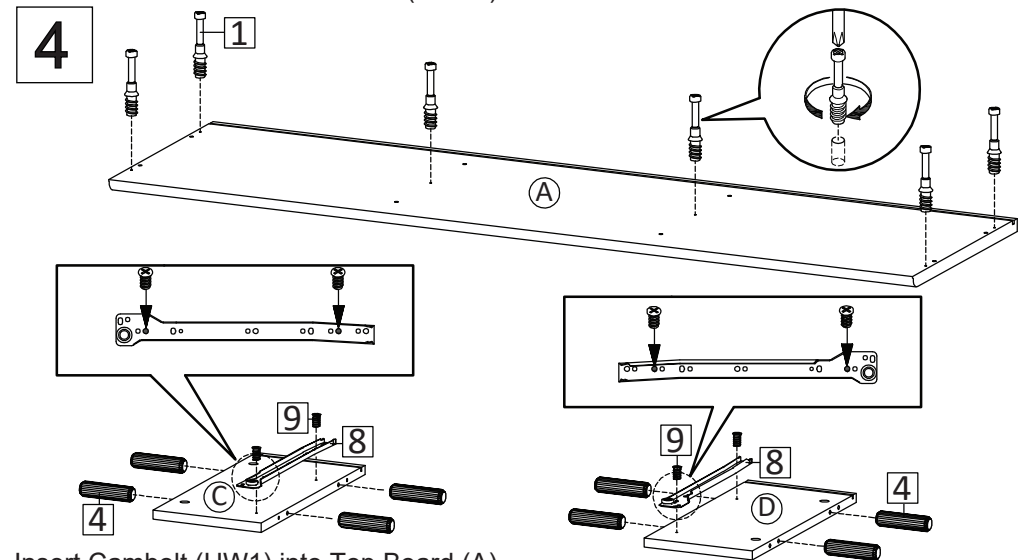
Insert Cambolt (HW1) into Front Drawer (G)
Insert Dowel Small (HW5) into Side Drawers (H & I)



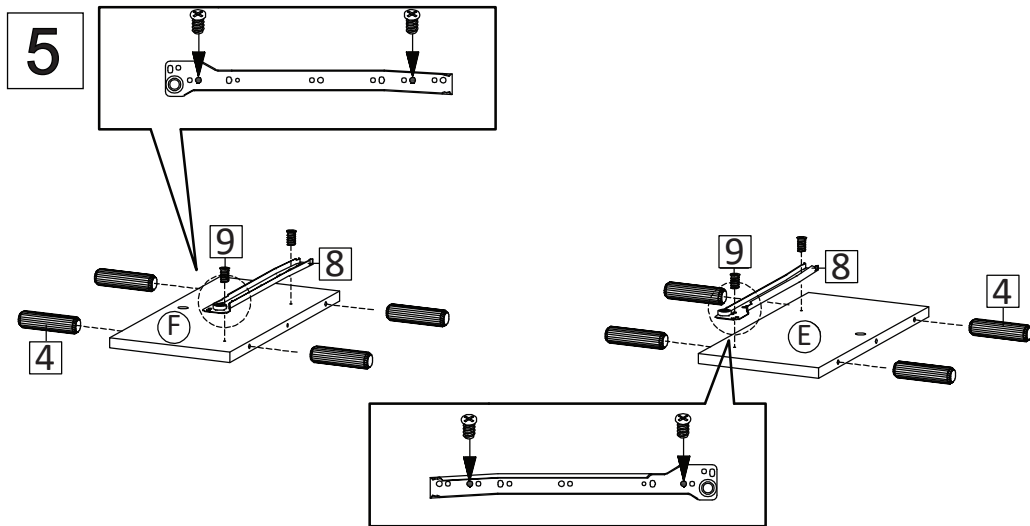
Bring the Drawer from Step 2 upside down,
install the metal runner (HW8) into position as shown in picture,
secure with screws M3.5x13 (HW10) Use Screw M 3.5x25 mm (HW17)
to attach Handle (HW18) to the Front Drawer as above image.



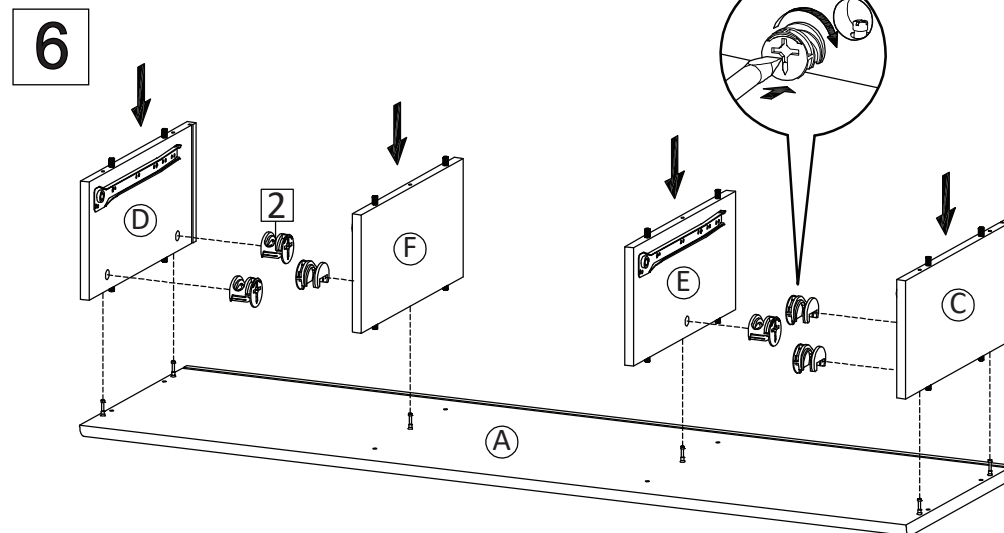
Combine Side Drawers (H & I) using Insert Cambolt (HW1) into Camlock (HW3),
tighten Camlock (HW2) using screwdriver.
Insert Bottom Drawer (K) , then put Back Drawer (J)
and secure with Screw M8x39 (HW11)



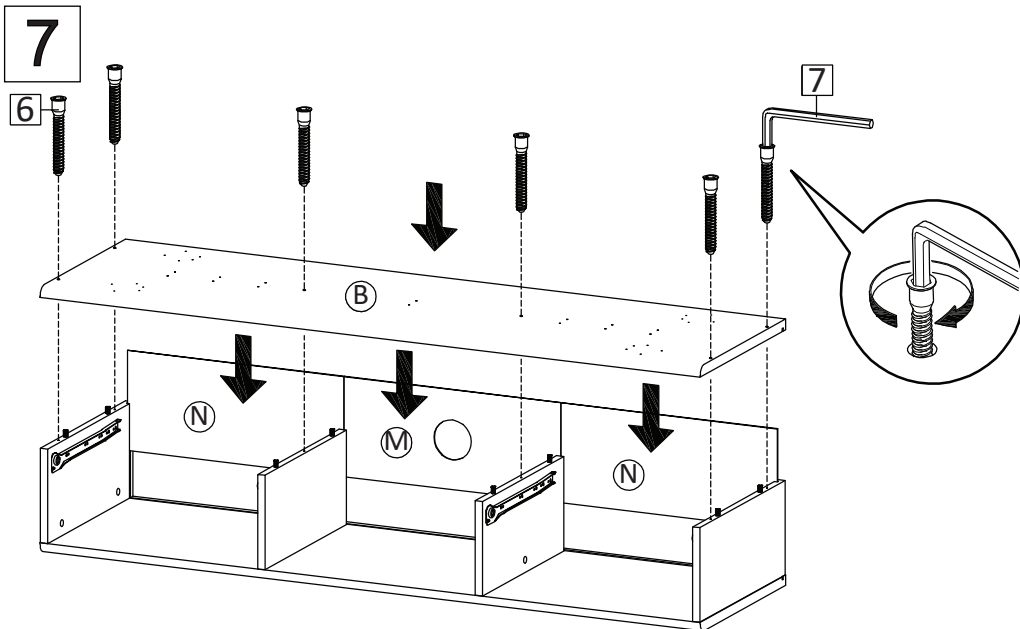
Insert Cambolt (HW1) into Top Board (A)
Insert Dowel Big (HW4) into Side Board Left (C) and Side Board Right (D).
Continue with securing part of the metal runner (HW8) into position as the above image,
using screw M6x10,5mm (HW9)



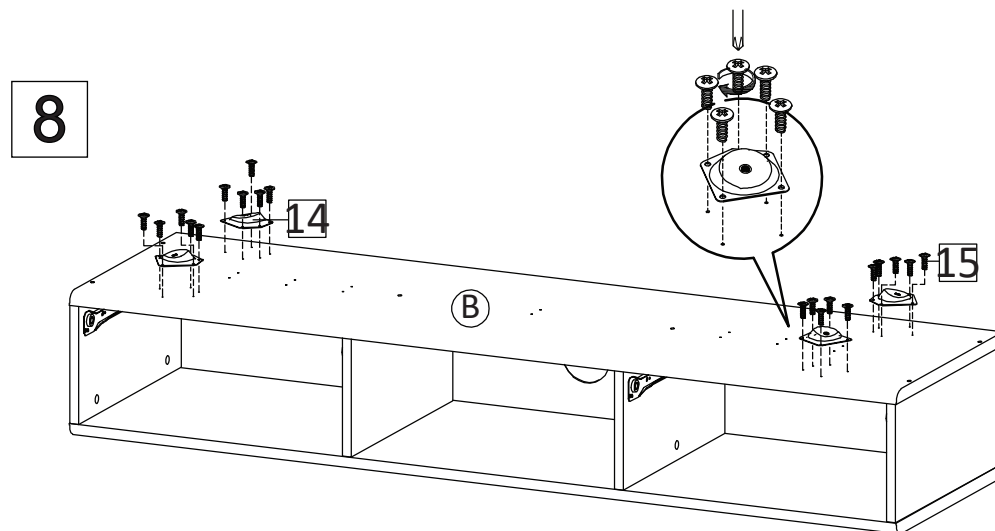
Insert Dowel Big (HW4) into Center Board Left (E) and Center Board Right (F). Continue with securing part of the metal runner (HW8) into position as the above image, using screw M6x10,5mm (HW9)



Attach Side Panel Left (C) , Side Panel Right (D), Center Board Left (E), Center Board Right (F) into Top Board (A) . Insert Camlock Big (HW2) then tighten Camlock (HW2) using screwdriver

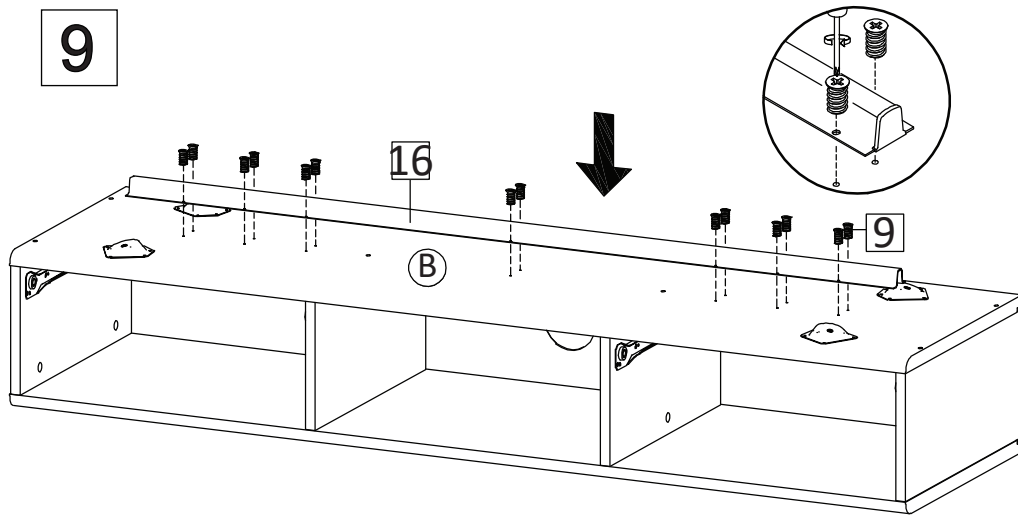


Insert Back Board 1 (N) into position at left and right. Insert Back Board 2 (M) into position at center. Put Bottom Board, secure with Screw M7x50 (HW6) , tighten screws using Allen Key (HW7)



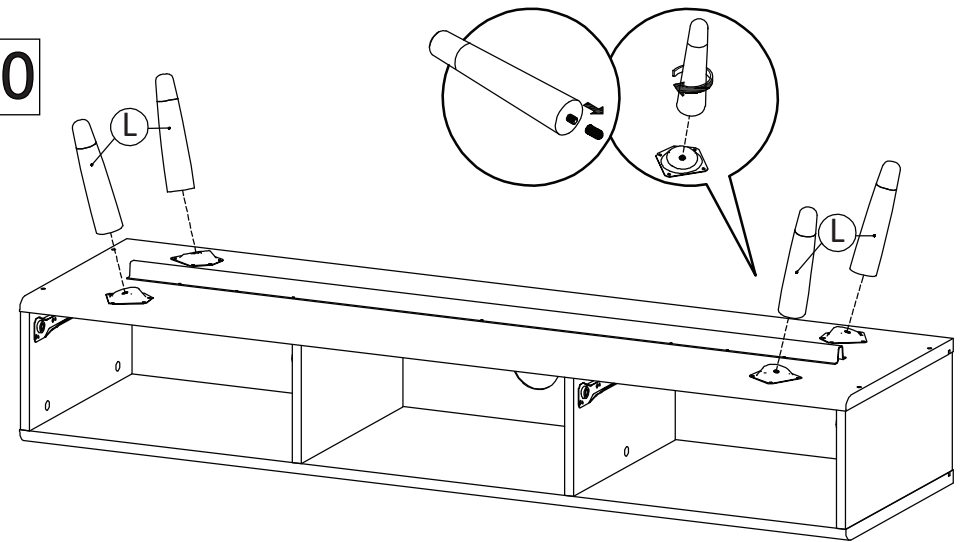
Place Leg Mounting Plate for Leg (HW14) into position , secure with screw M4.5x12.5 (HW15) using screwdriver.

9



Place Anti Deflection Metal Bar (HW16) , secure with screw M6x10,5 using screwdriver.

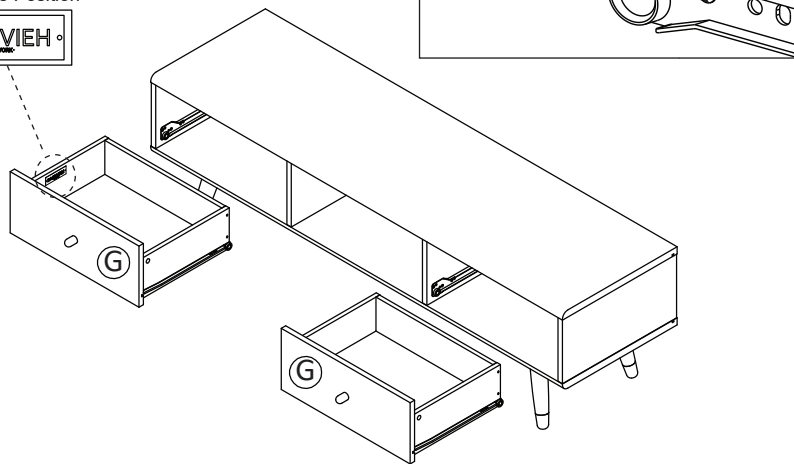
10



Insert the legs (L) into mounting plate, turn clockwise until properly tightened.

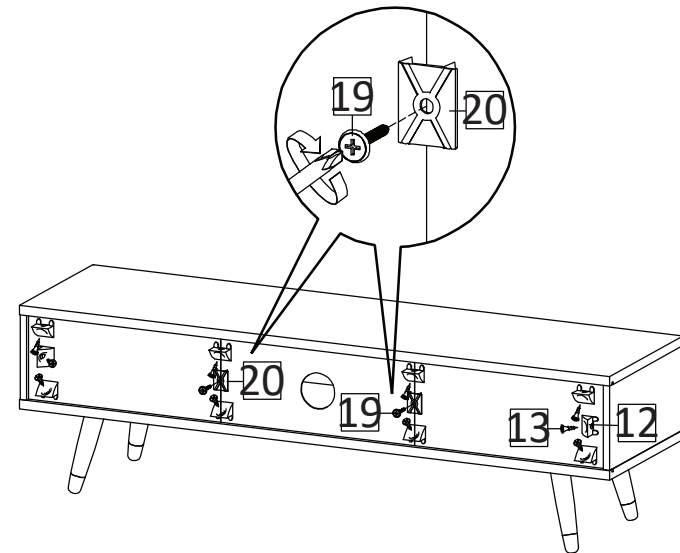
11

Name Plate Position

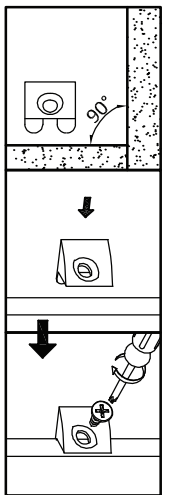


Insert the Drawer into furniture.

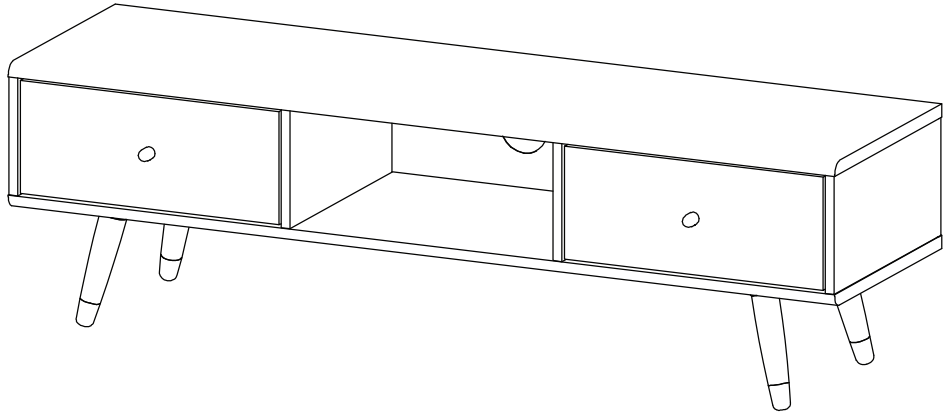
12



Use Wedge (HW12), Screw M 3.5 x 15.5 (HW13) to tighten the back of media stand by using screwdriver. Use Back Panel Holder (HW20) and Screw M4 x 17 (HW19) to hold the Back Panel altogether.



13



Assembly is completed.