

Product Specs Sheets

PIANTANA PORTA SALVIETTE IN OTTONE VERNICIATO
TOWEL RACK - DUST PAINTED BRASS

WEIGHT 13.2 LBS
VOLUME m³ MANCA

FINISHINGS

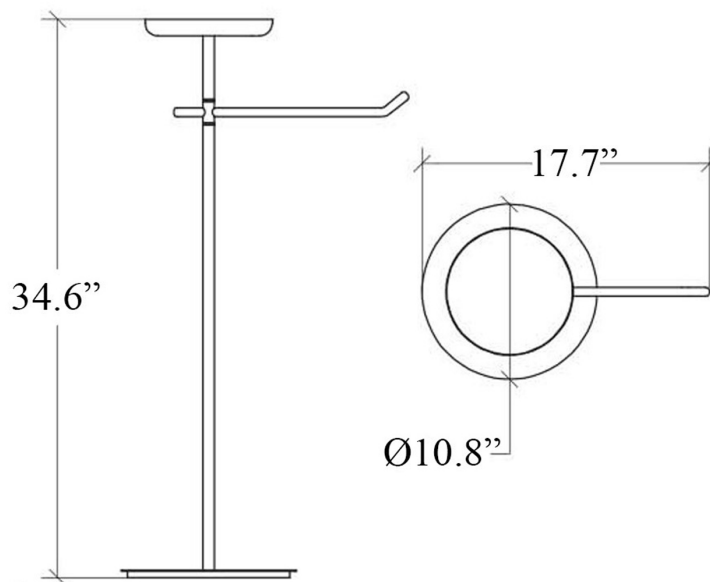
5112.09 bianco / white
5112.11 rosso / red
5112.14 ruggine / rust brown
5112.15 arancio / orange
5112.16 fucsia / fuchsia
5112.17 antracite / dark grey



MAINTENANCE

Pulire con panno morbido inumidito.

Clean with warm soapy water. Never use ammonia, abrasives, bleach or solvent based cleaners.



Collection
Ranpin

Model |
Ranpin 5112

Dimensions Metric

1 inch = 2.54 cm
1 inch = 25.4 mm

WS[®]
BATH
COLLECTIONS

1051 Lea Drive - Collegeville, PA 19426
Tel. 215 513 9400 - Fax 610 831 0215
www.ws bathcollections.com - info@ws bathcollections.com