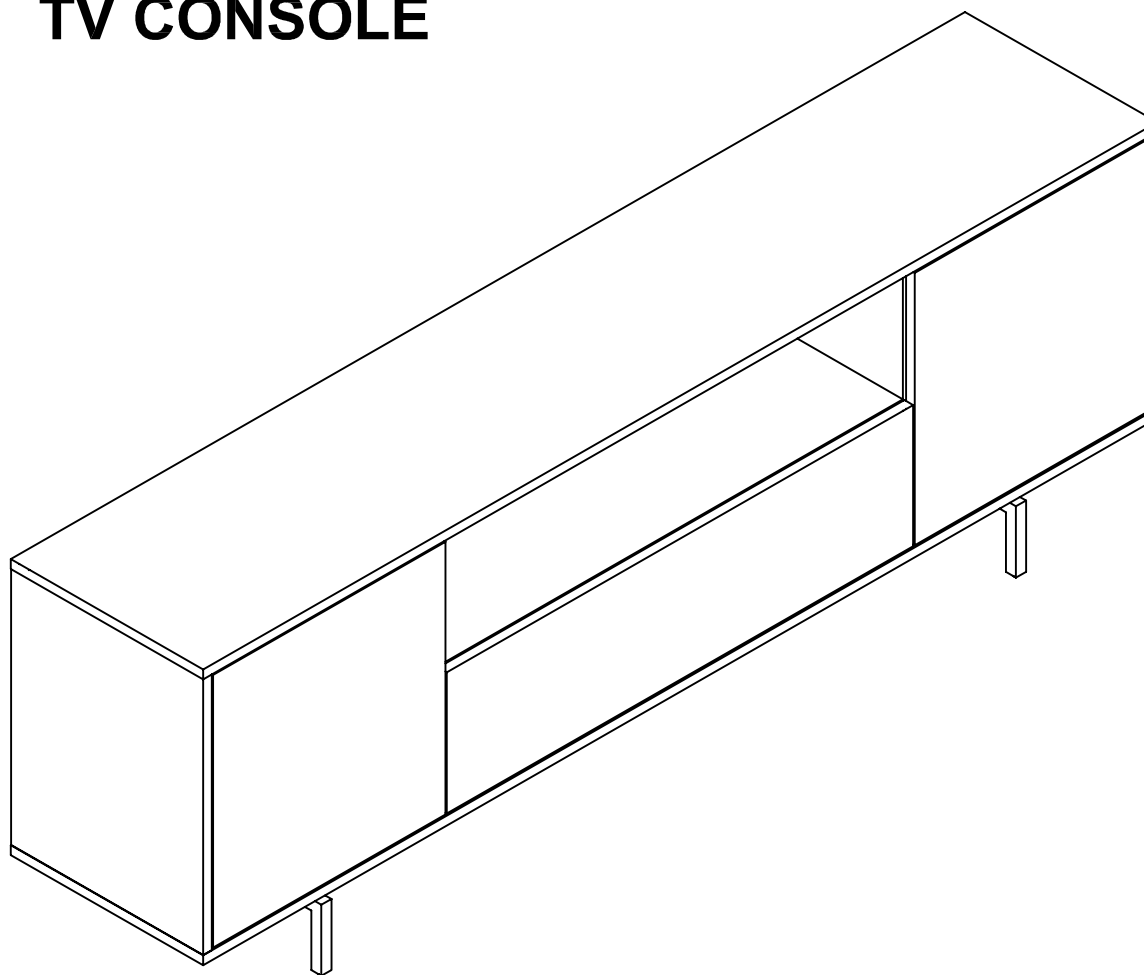


ASSEMBLY INSTRUCTIONS:

TV CONSOLE



ASSEMBLY INSTRUCTIONS

Read these instructions carefully and keep for future reference. Refer to parts inventory for guidance, and ensure you have all pieces before starting.

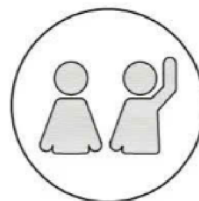
When assembling, place all parts on a soft, clean, and flat surface such as a carpet to prevent scratches.

Attention : Veuillez Lire Toutes Les Instructions Avant De Commencer L'assemblage De Ce Produit. Les Pièces Sont Lourdes. Pour Éviter Toute Blessure Et Pour Vous Assurer Que Le Produit N'est Pas Endommagé Pendant L'assemblage, Nous Vous Recommandons De Faire Appel À Une Ou Plusieurs Autres Personnes.

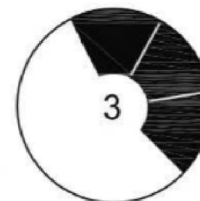
Cuidado: Favor De Leer Todas Las Instrucciones Antes De Ensamblar Su Producto. Estas Piezas Son Pesadas. Para Prevenir Heridas Personales Y Asegurar Que Su Producto No Sea Dañado Mientras Es Ensamblado, Se Recomienda La Asistencia De Una O Más Personas.



TIME



OF PEOPLE

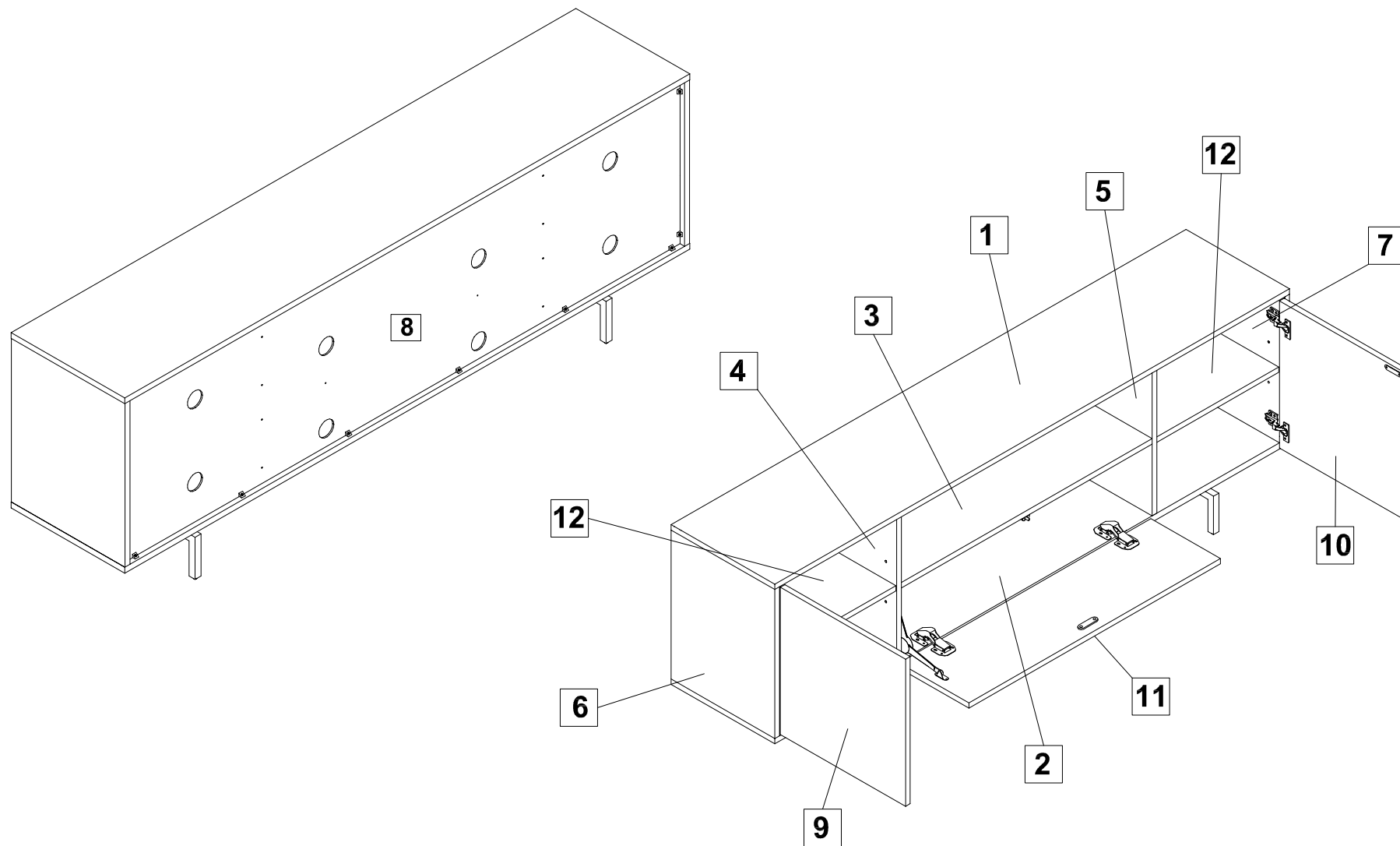


DIFFICULTY








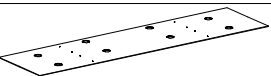




Important: Use hand tools for assembly. Power tools can lead to over-tightening and damage.

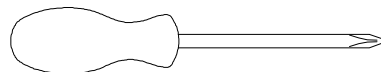
ASSEMBLY INSTRUCTIONS:

TV CONSOLE



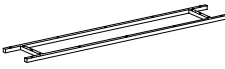




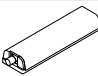

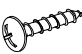

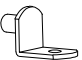




Parts List

CODE	DESCRIPTION	QTY
1	Top Panel 	1 pc
2	Bottom Panel 	1 pc
3	Fixed Shelf 	1 pc
4	Left Inside Panel 	1 pc
5	Right Inside Panel 	1 pc
6	Left Panel 	1 pc
7	Right Panel 	1 pc
8	Back Panel 	1 pc
9	Left Side Door 	1 pc
10	Right Side Door 	1 pc
11	Center Door 	1 pc
12	Adjustable Shelf 	2 pcs

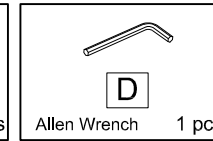
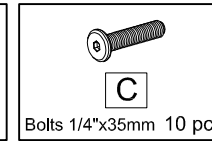
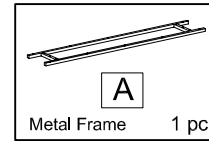


Assembly Tools Required (Not Included)

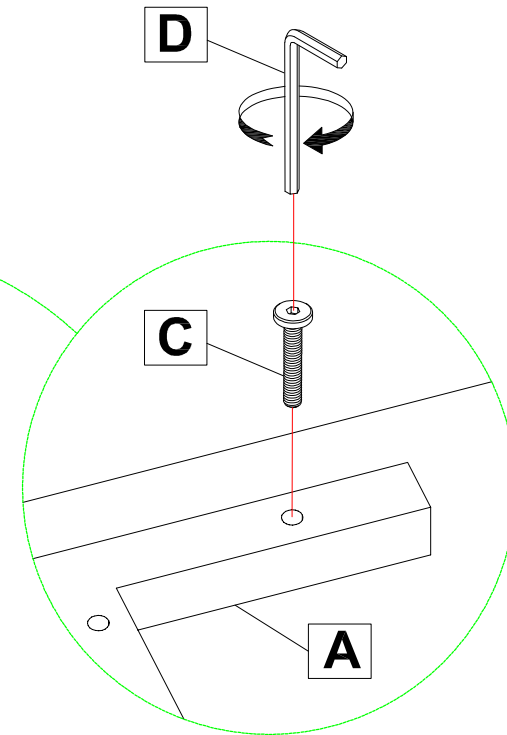
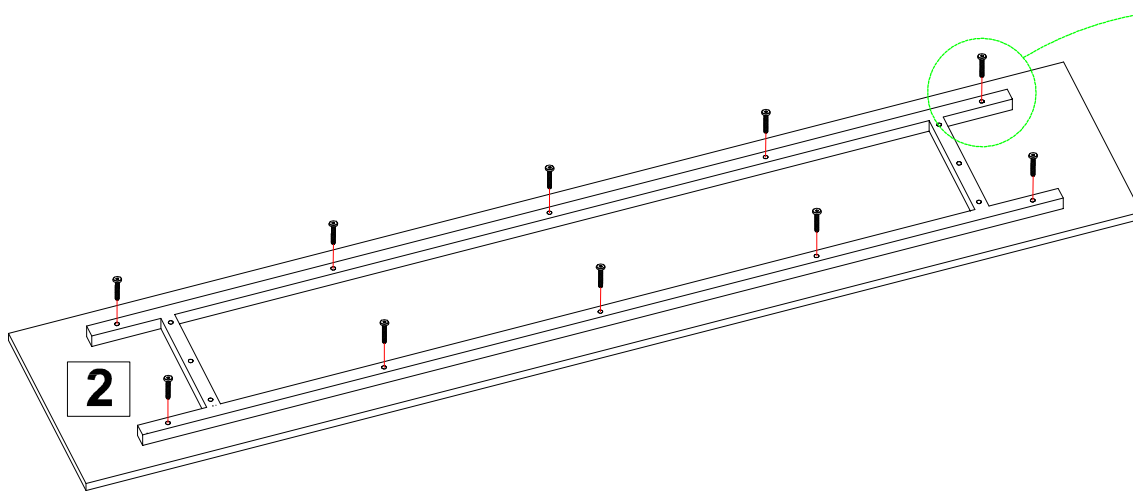
Hardware List

CODE	DESCRIPTION	QTY
A	Metal Frame 	1 pc
B	Metal Legs 	2 pcs
C	Hex-Head bolts 1/4"x35mm 	10 pcs
D	Allen Wrench 	1 pc
E	Hex-Head bolts 1/4"x60mm 	6 pcs
F	Magnetic catcher 	3 pcs
G	Wood Screws M4x15mm 	56 pcs
H	Wood Screws M3.5x20mm 	22 pcs
I	Plastic Wedges 	12 pcs
J	Shelf Pin 9mm 	8 pcs
K	Middle Door Hinge 	2 pcs
L	Side Door Hinge 	4 pcs
M	Support Arm 	1 pc
N	Anti-Tipping Kit 	2 pcs

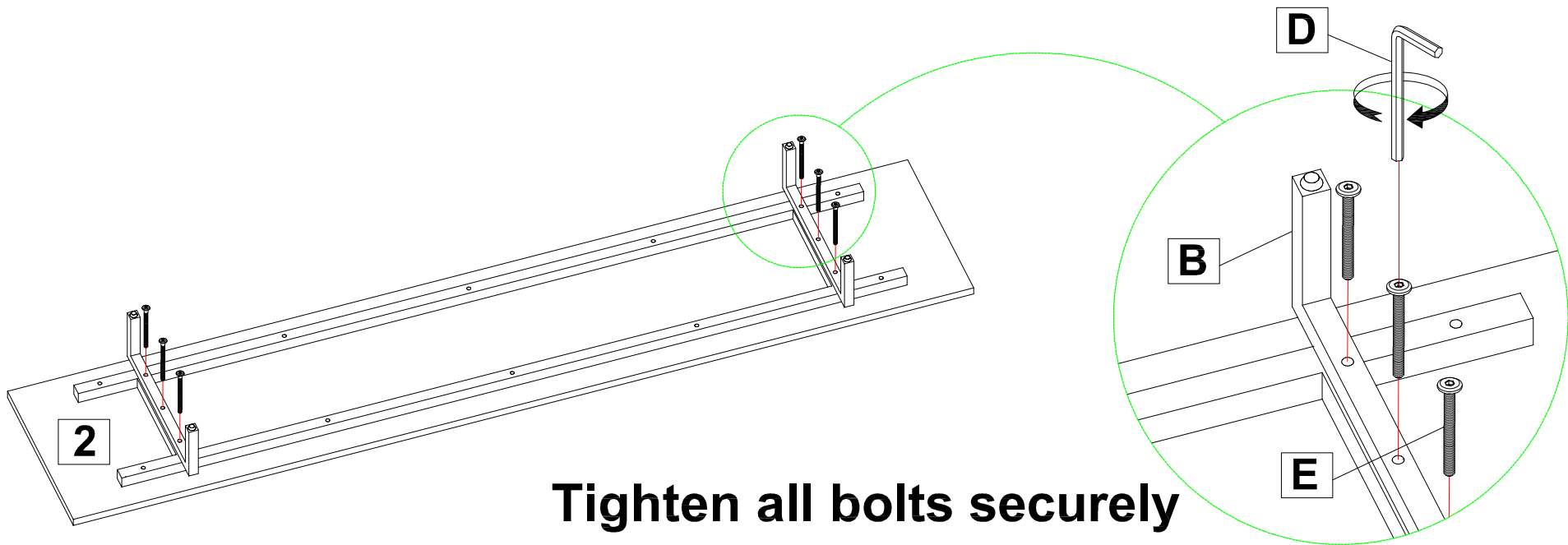
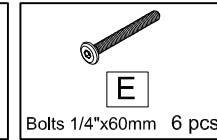
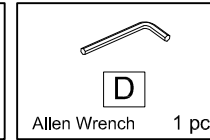
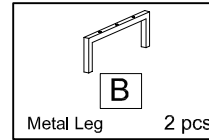
1



Please do not tighten the bolts until all the bolts are lined with holes

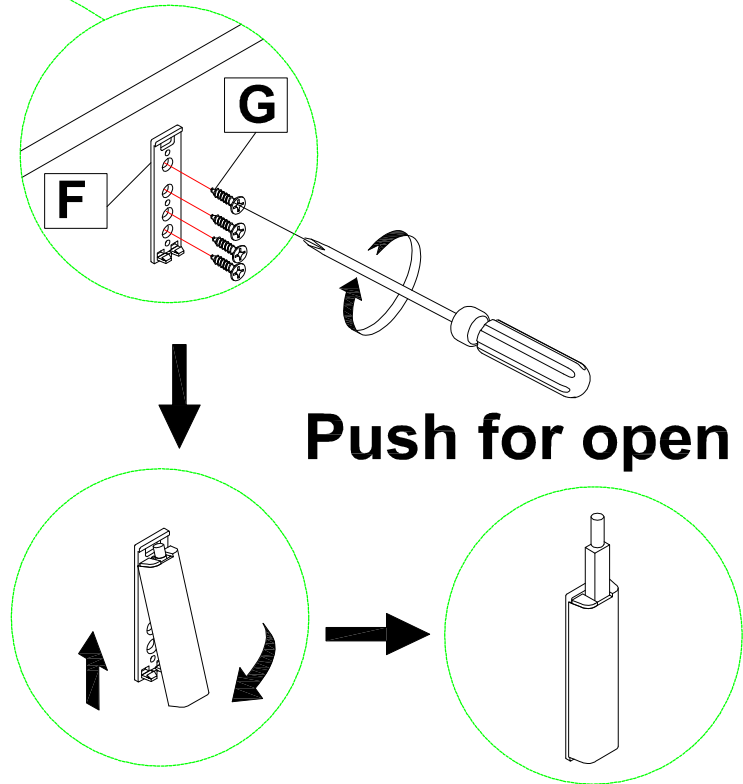
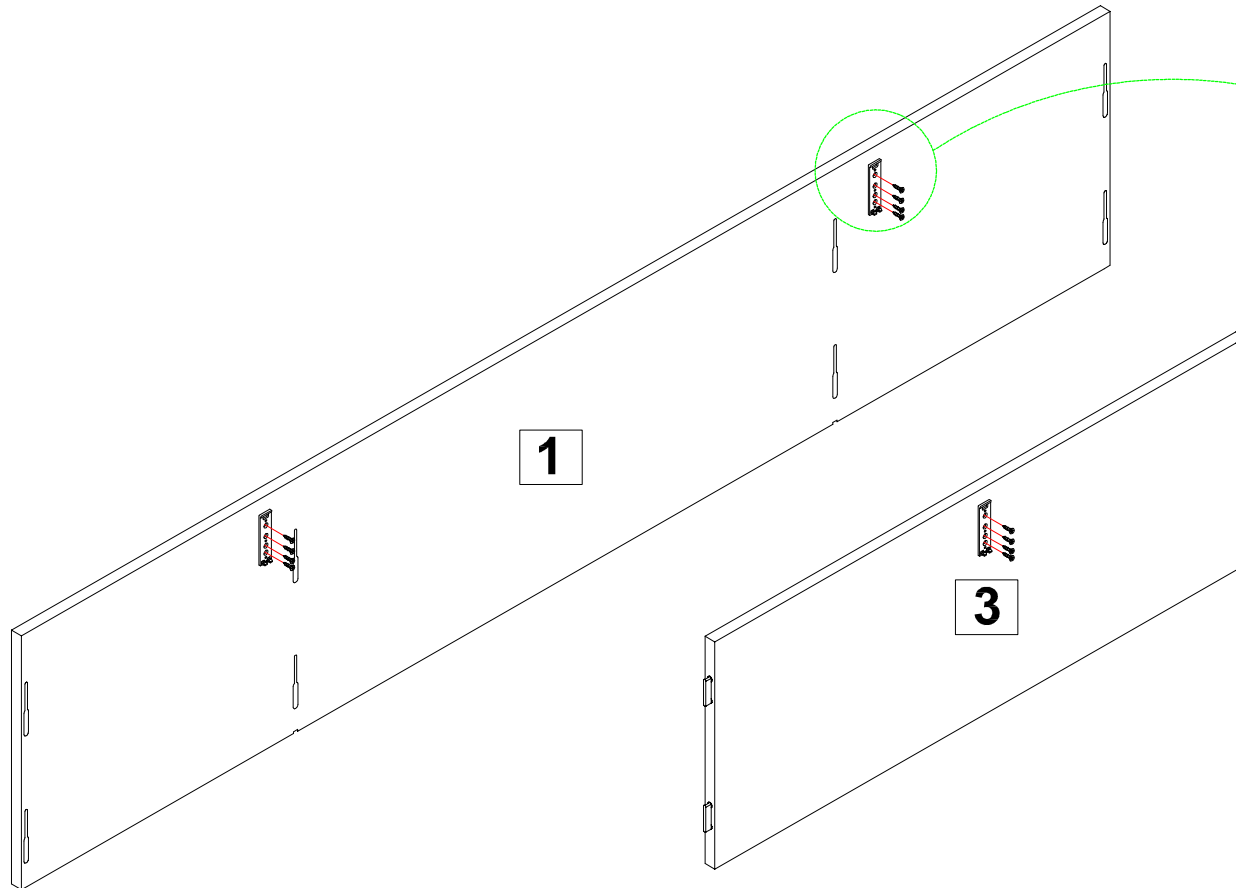
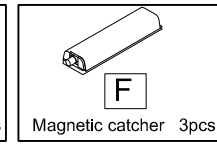
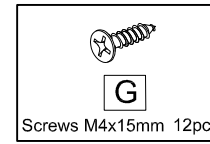


2

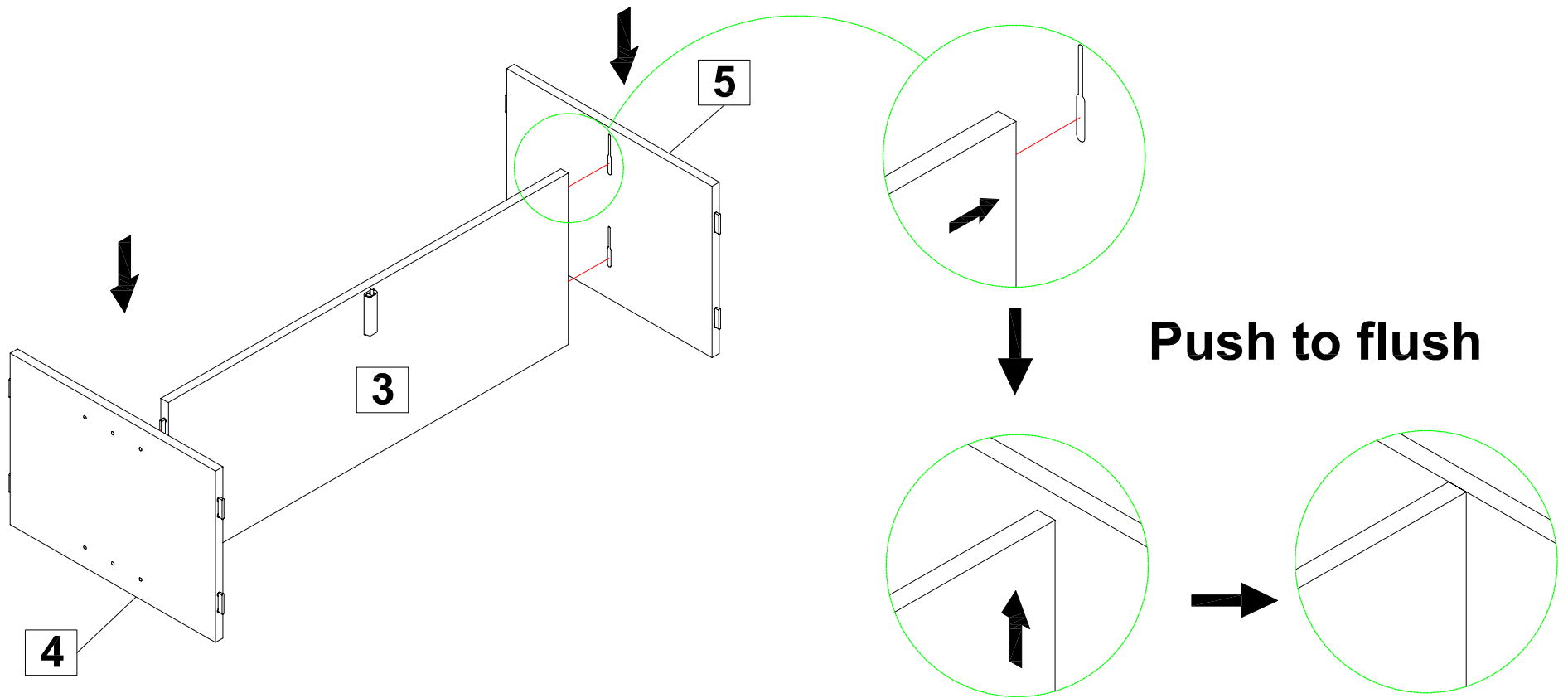


Tighten all bolts securely

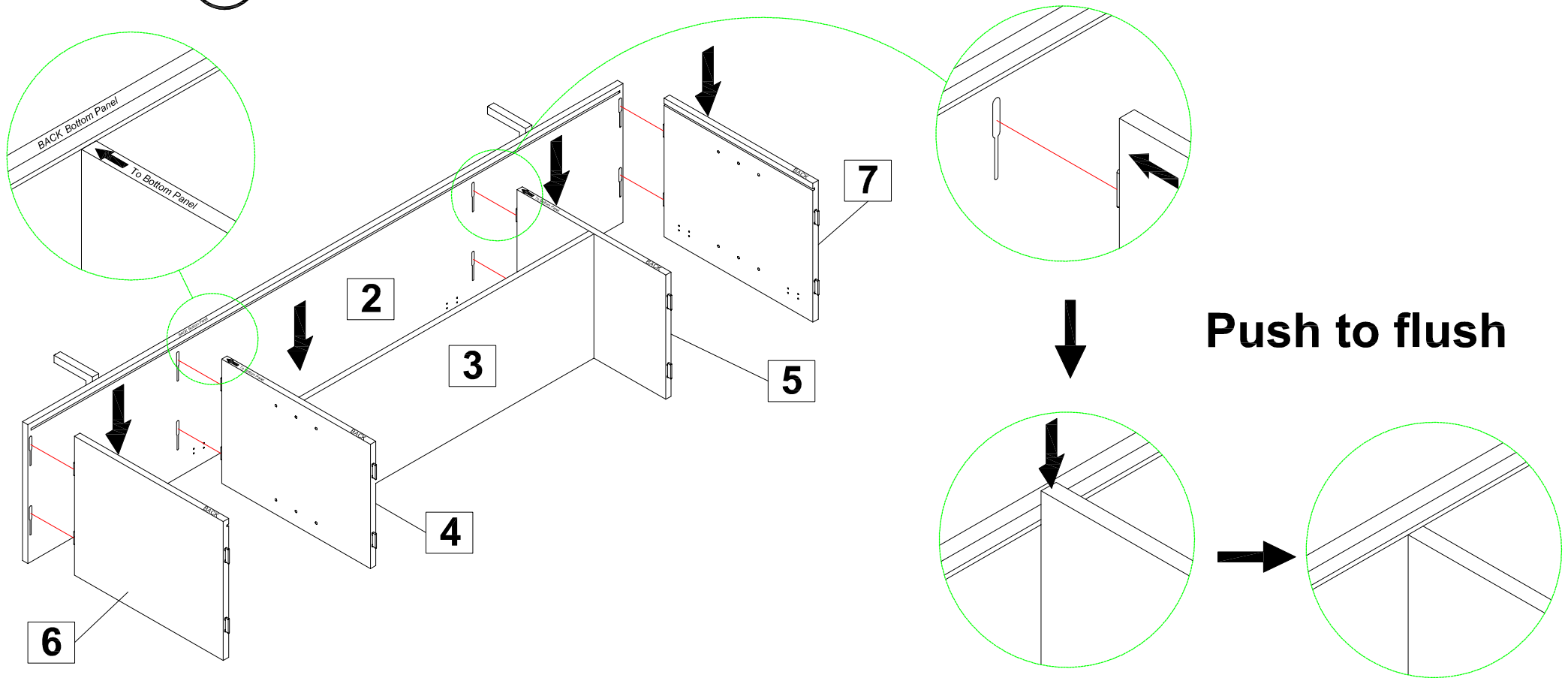
3



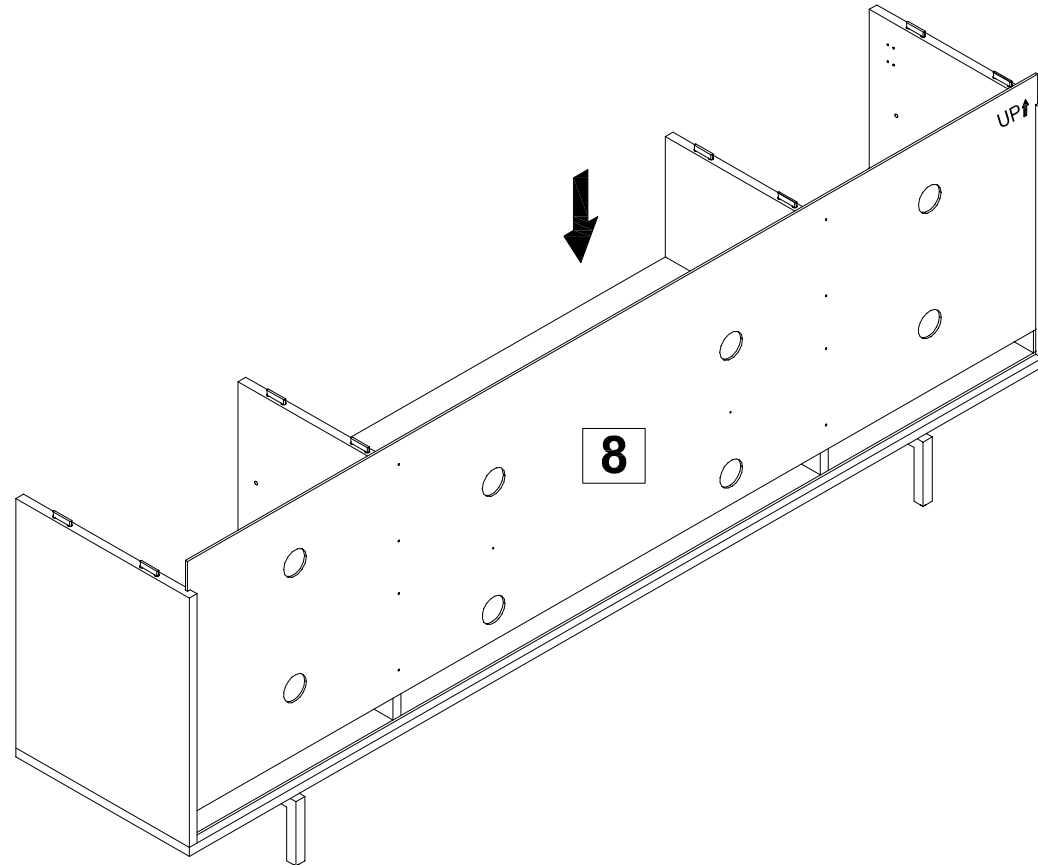
4



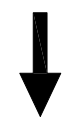
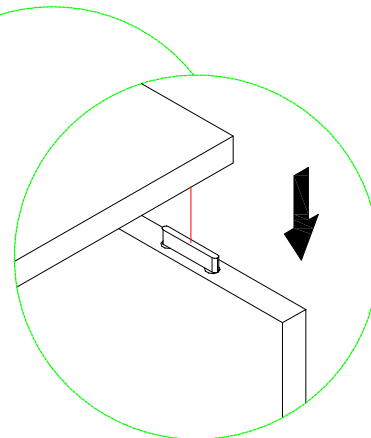
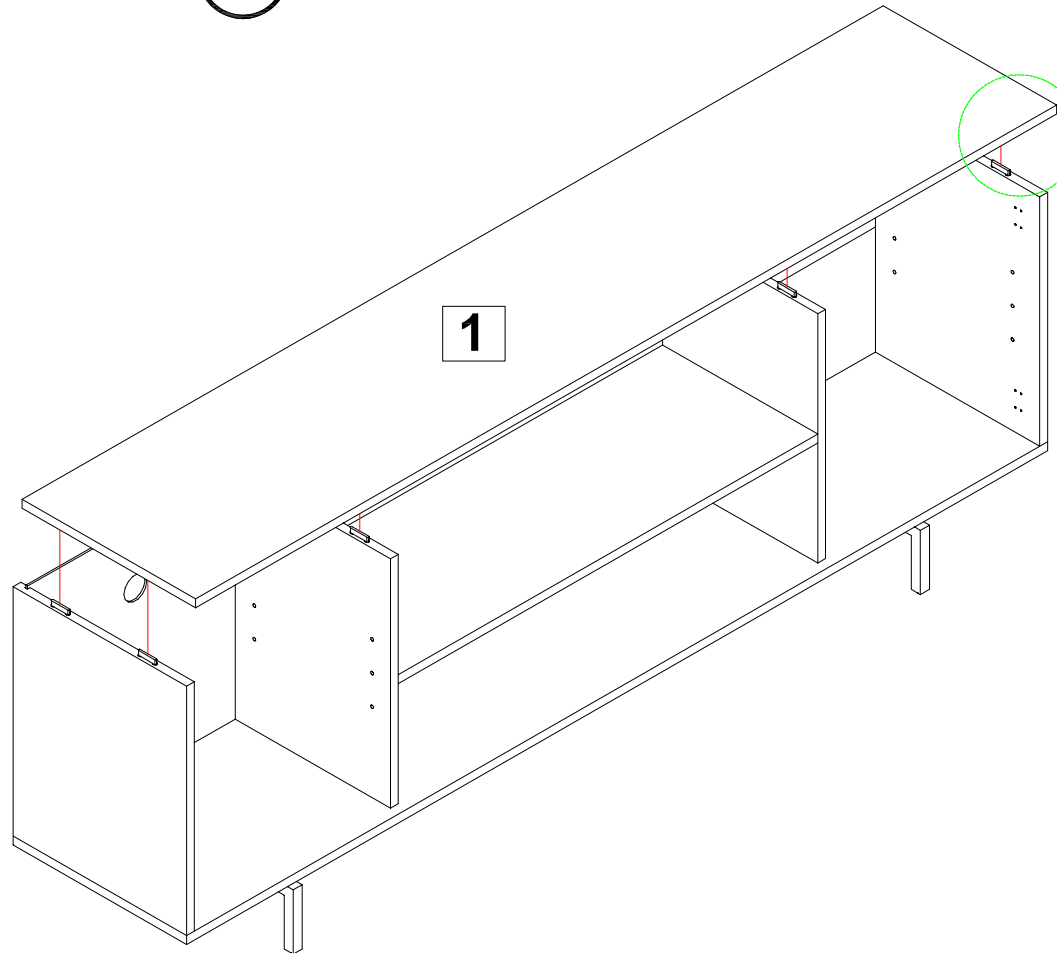
5



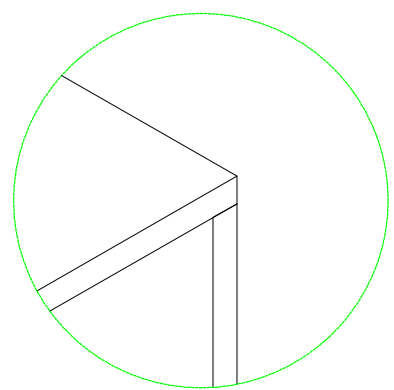
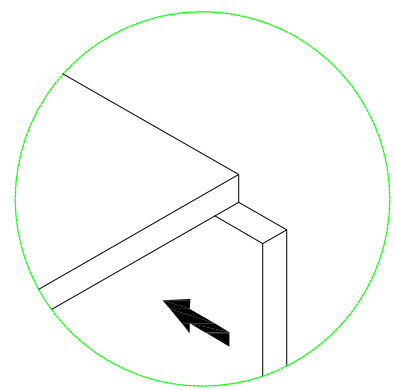
6



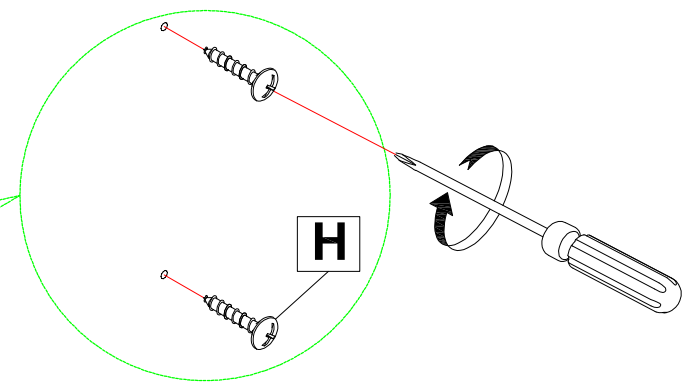
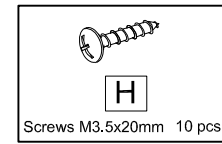
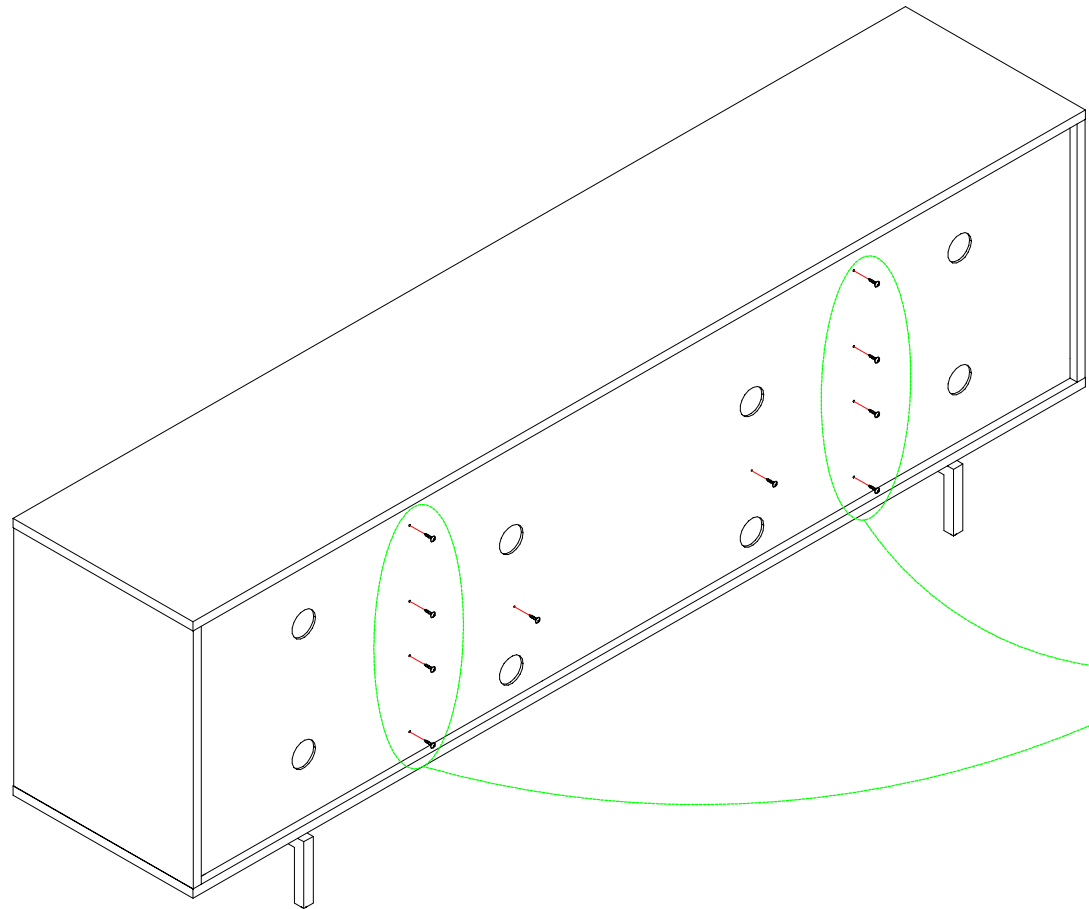
7



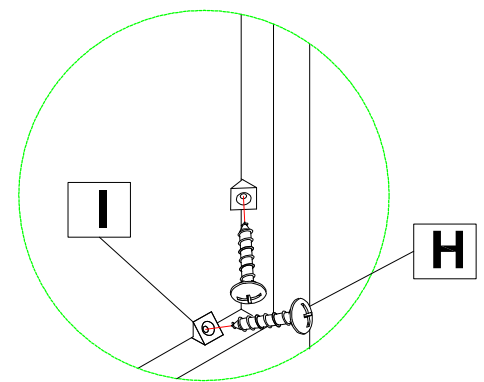
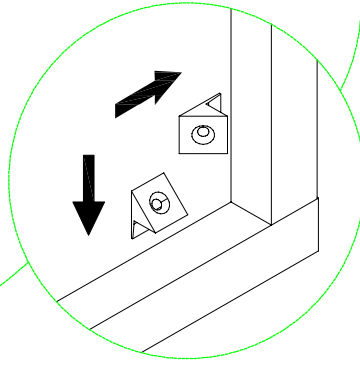
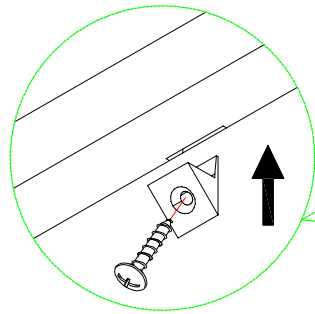
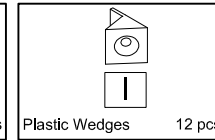
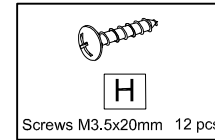
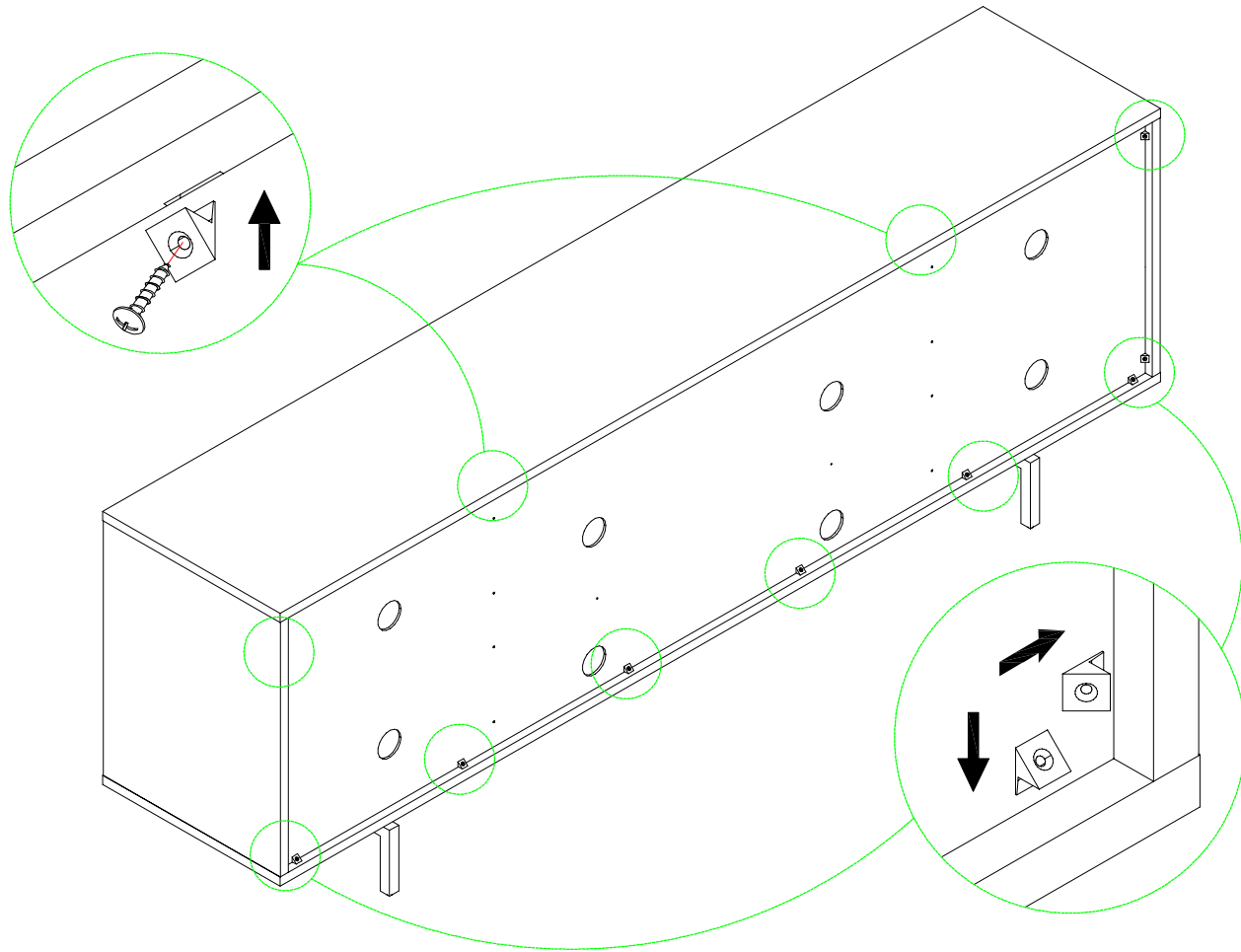
Push to flush



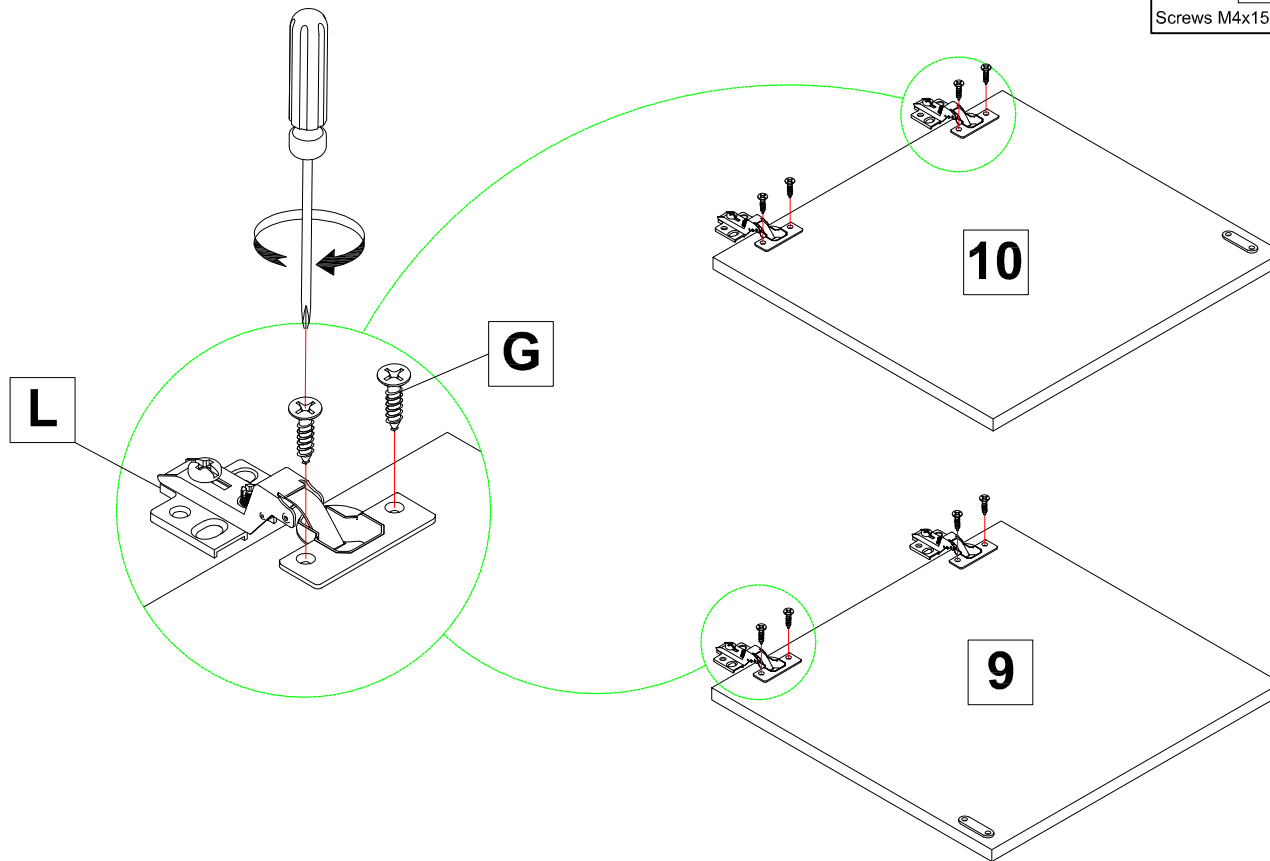
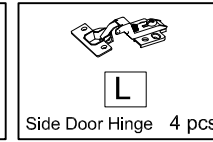
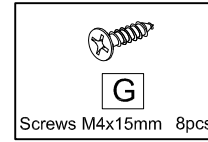
8



9




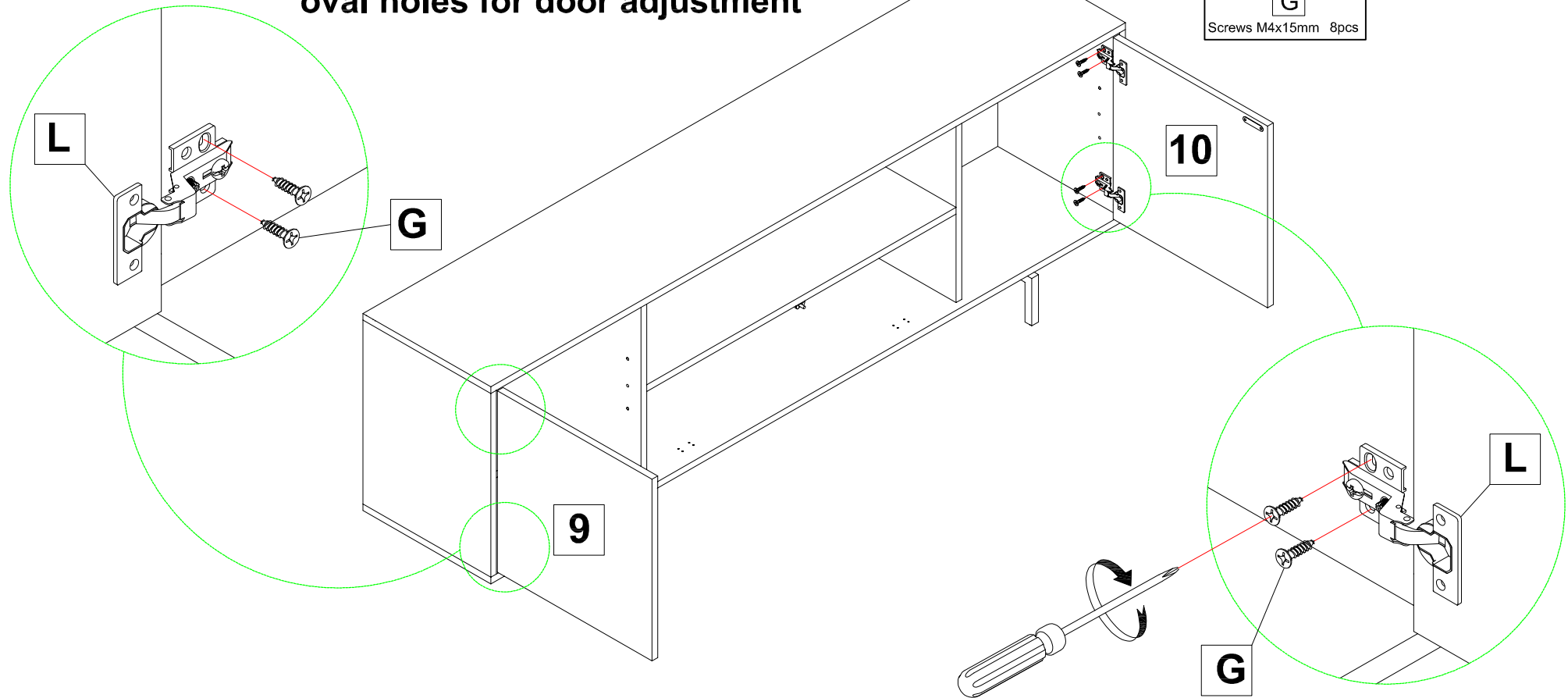
10



11

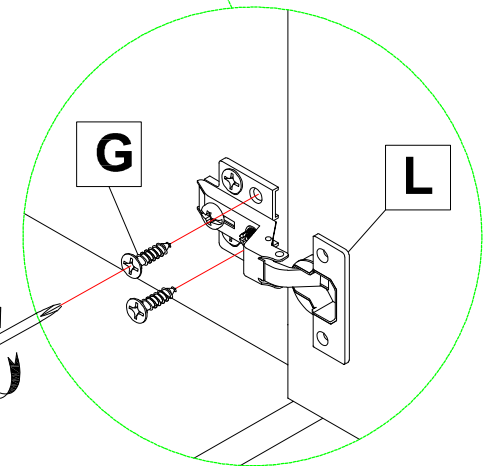
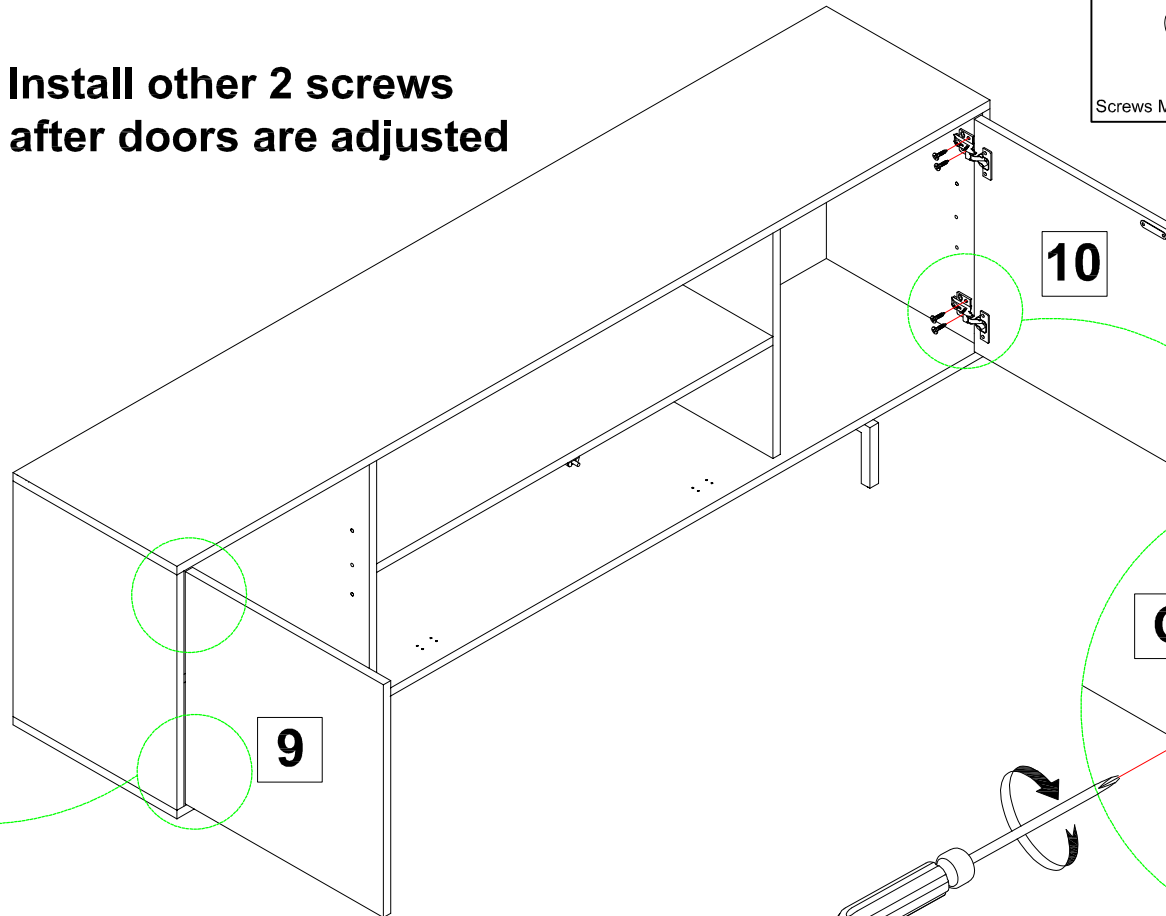
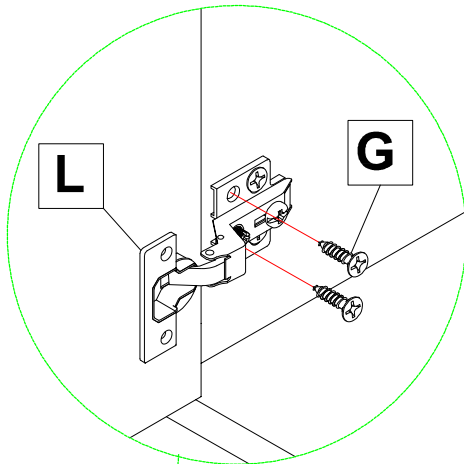
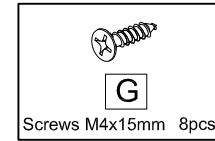
First install hinges with 2 screws in oval holes for door adjustment


G
Screws M4x15mm 8pcs



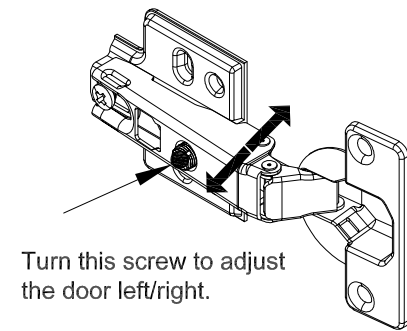
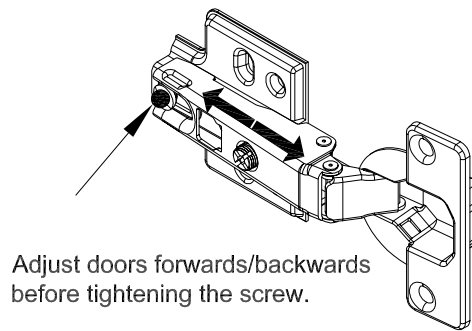
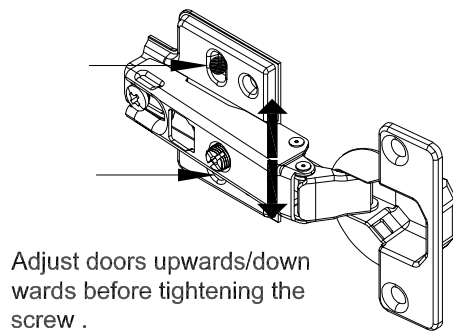
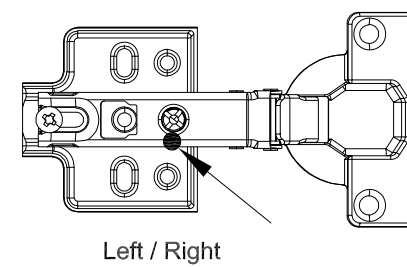
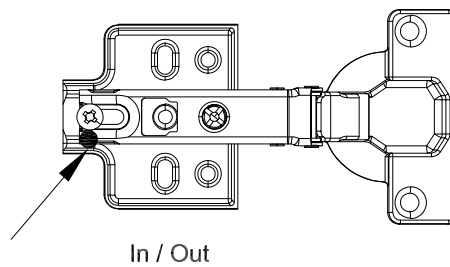
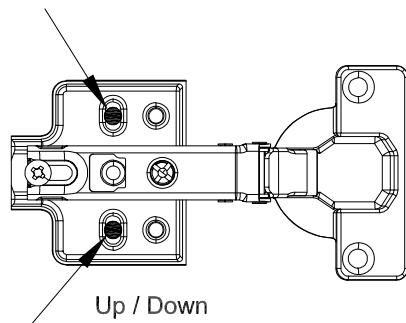
12

**Install other 2 screws
after doors are adjusted**



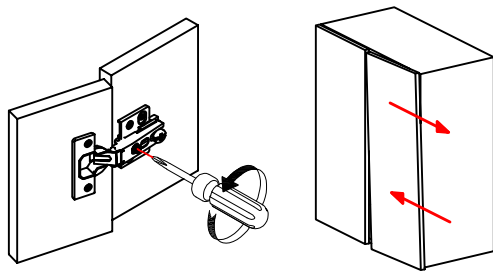
13

Our high Quality Euro hinges are 3-way adjustable:

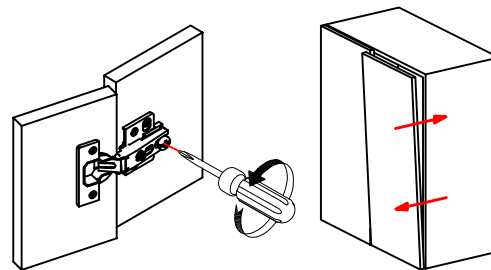


14

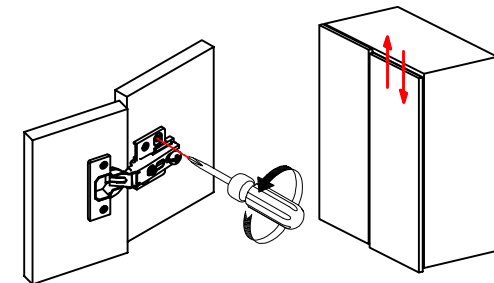
Our high Quality Euro hinges are 3-way adjustable:



Lateral Adjustment

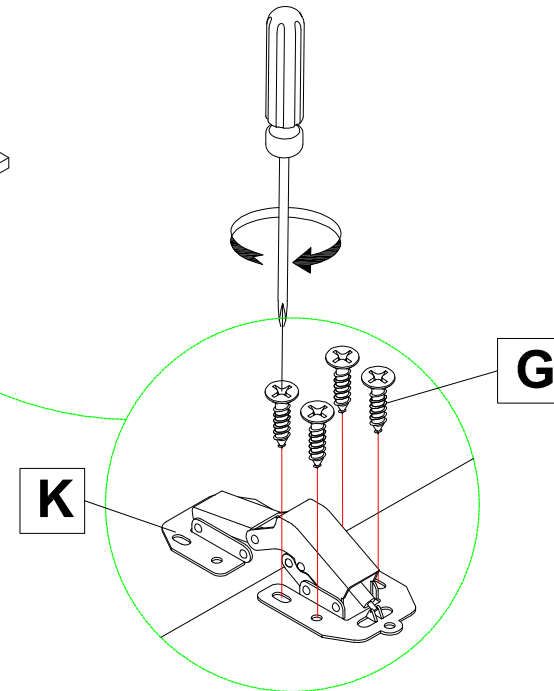
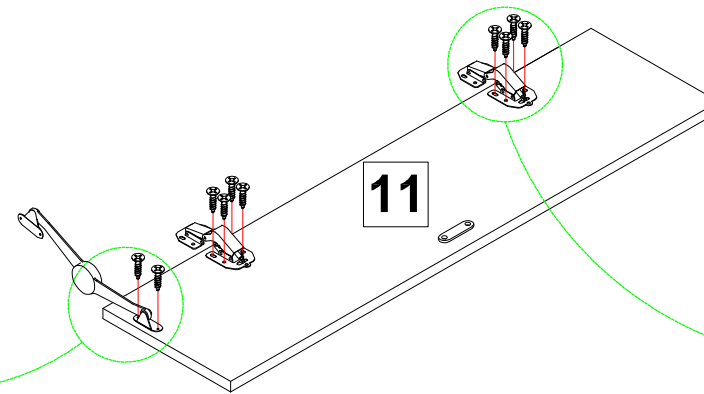
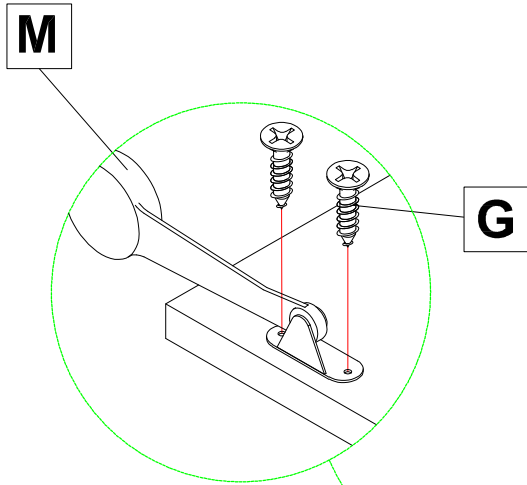
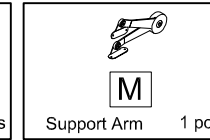
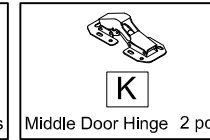
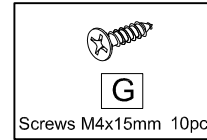


Horizontal Adjustment




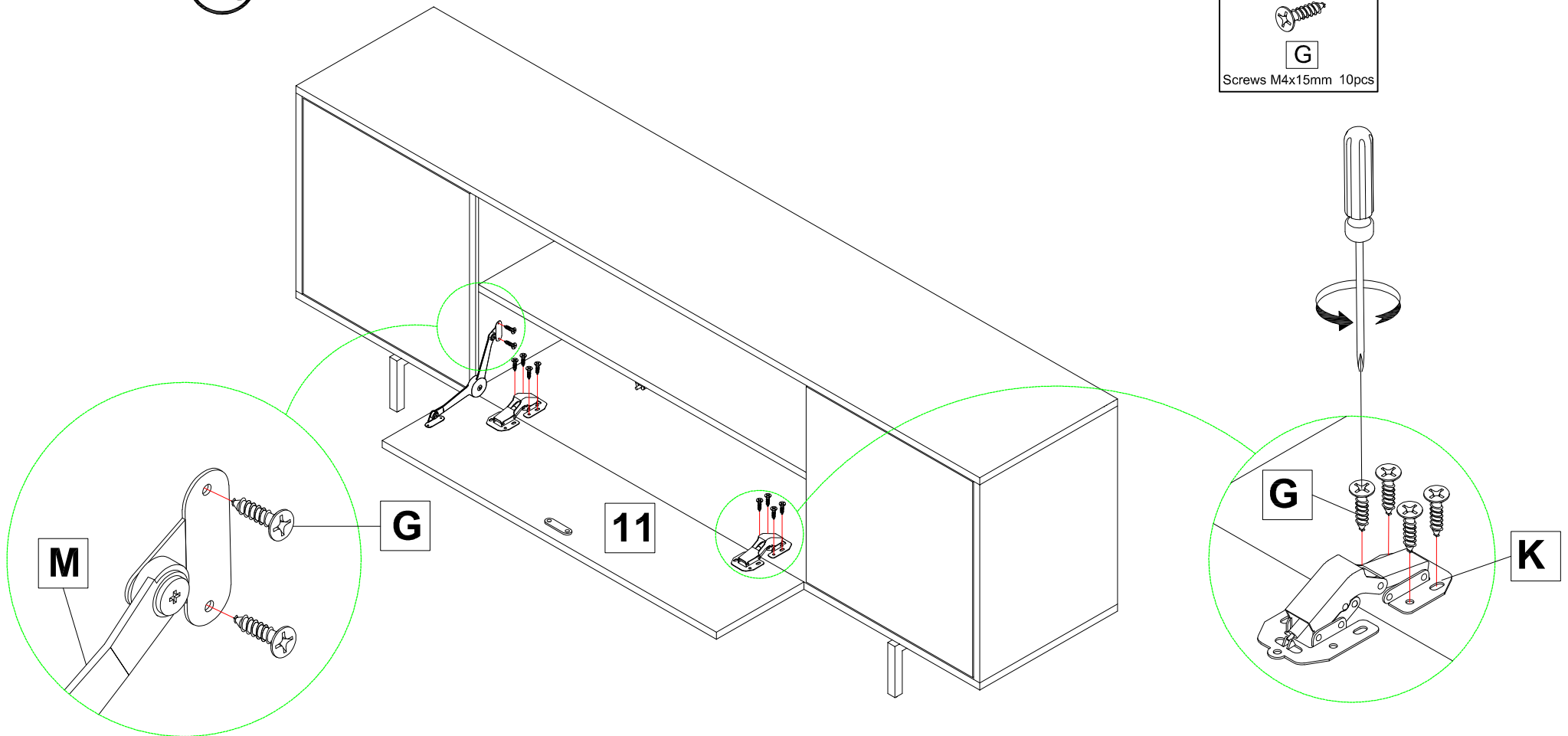
Vertical Adjustment

15



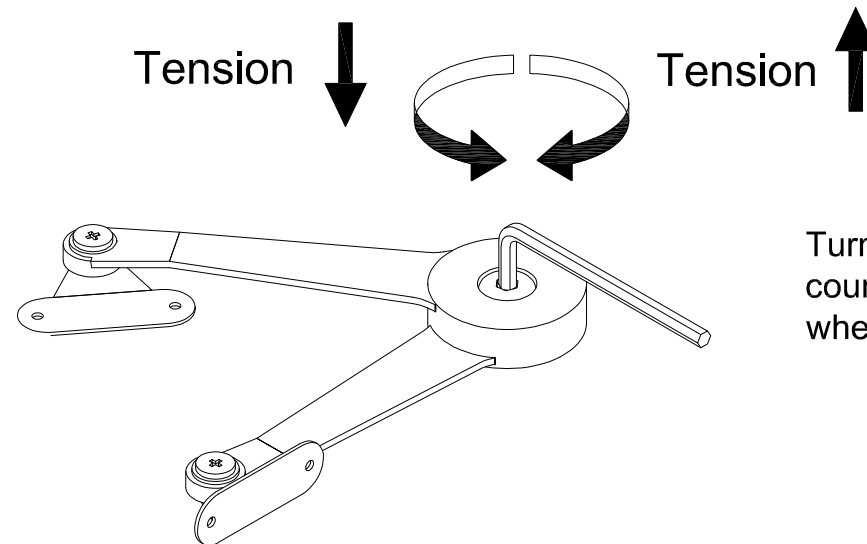
16


G
Screws M4x15mm 10pcs



17

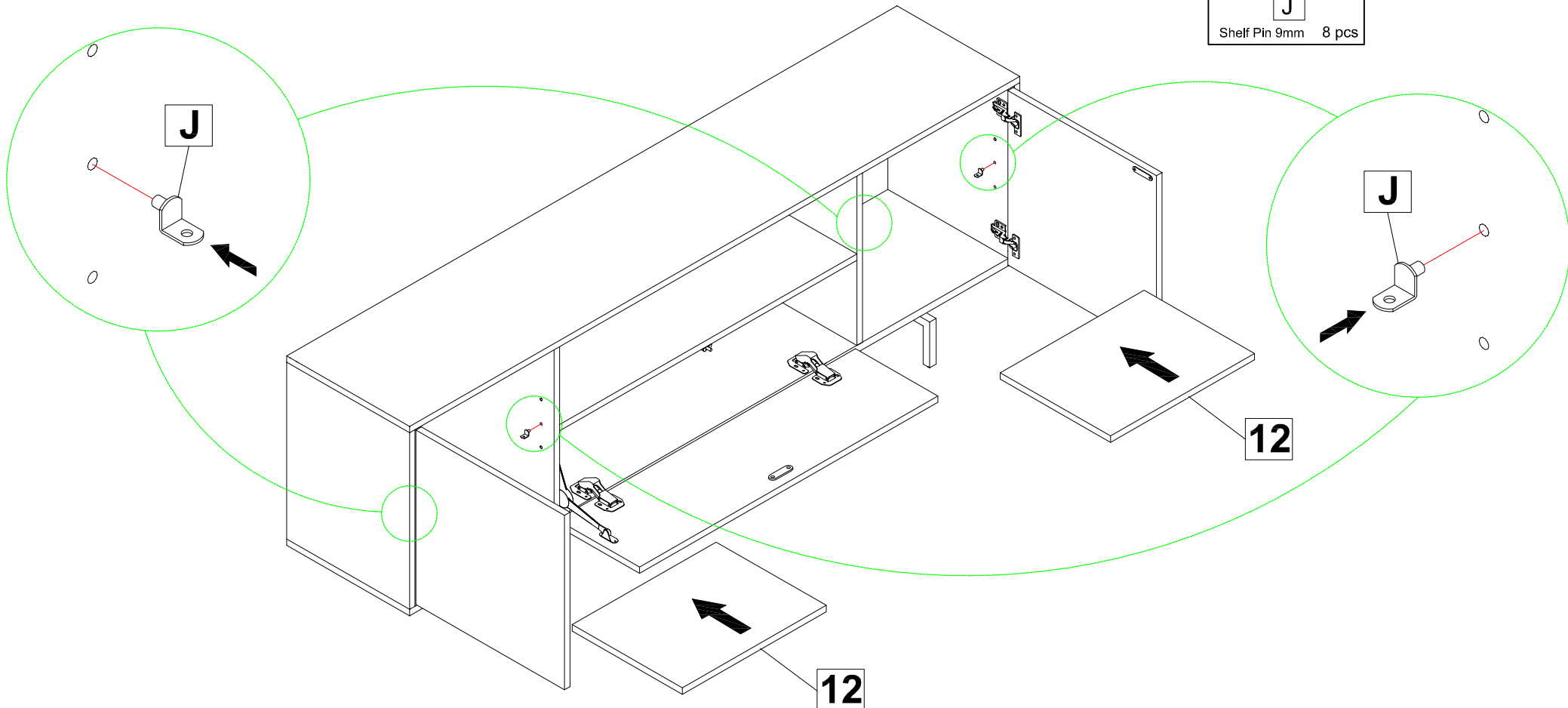
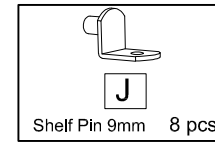
Setting the tension by adjusting the sciew with the Allen wrench



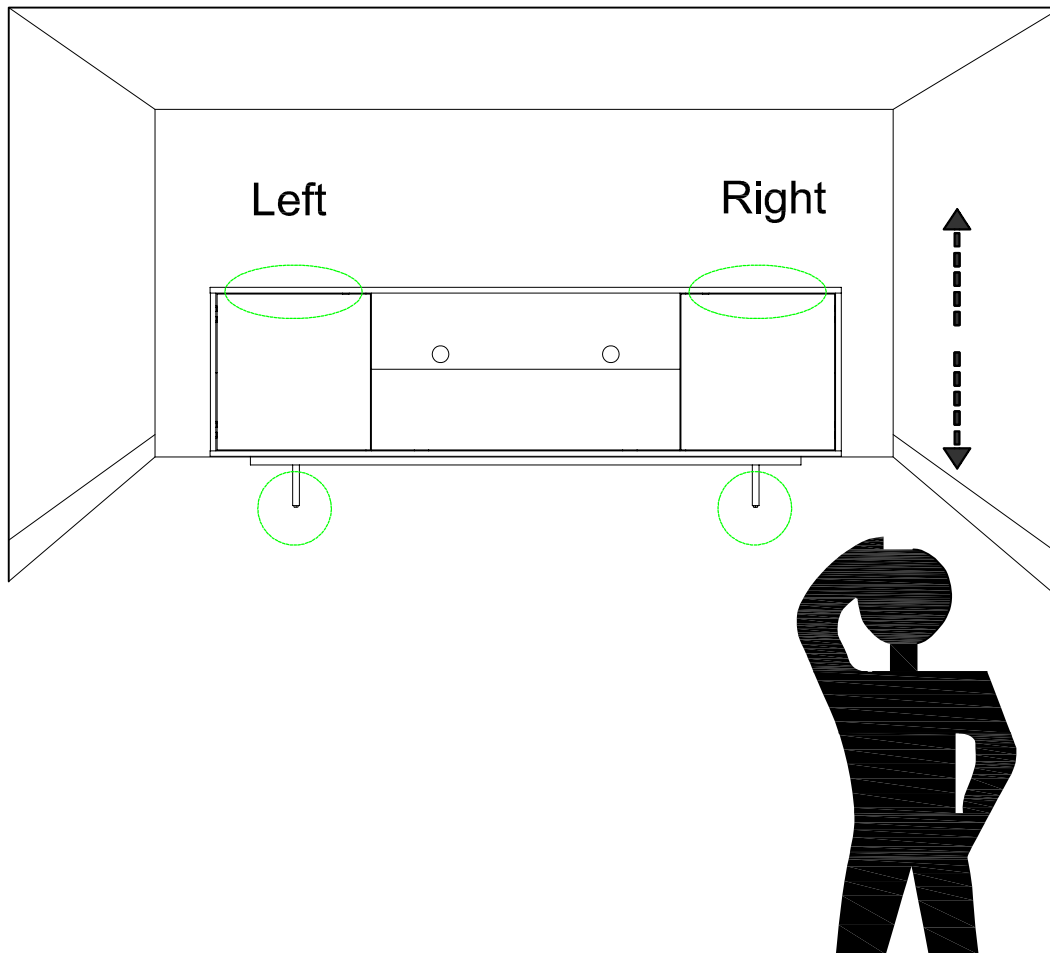
Turn it clockwise to increase the tension, counterclockwise to decrease the tension when opening the Center Door

Don't use lubricant

18

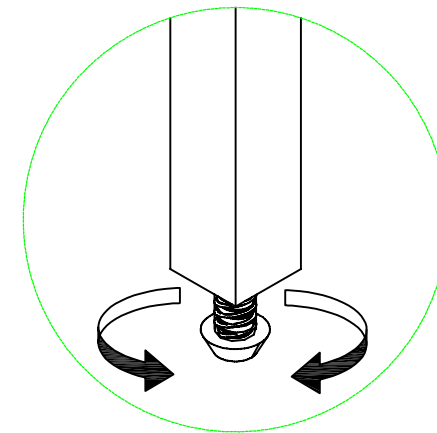


19



Adjustable Floor Leveler

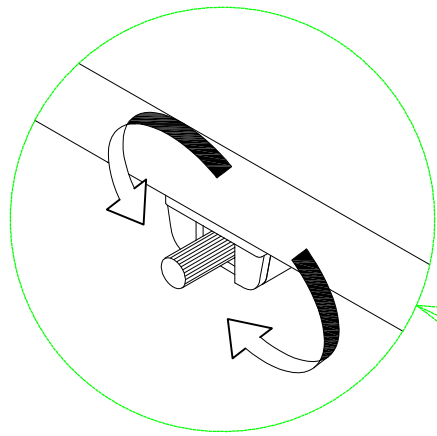
Compare the gap between the Side Door and the Top Panel , if the gap on one side is larger, it means that side is lower than the other side



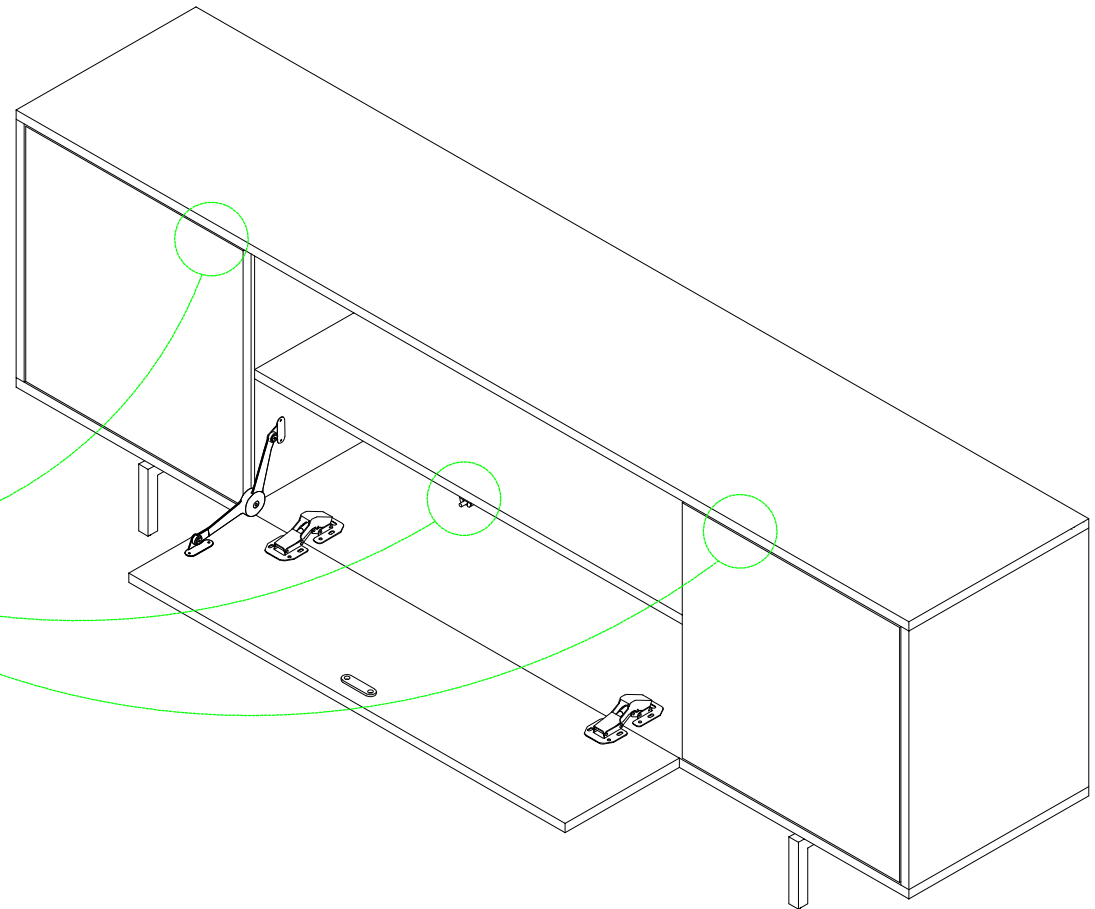
Rotate counterclockwise to increase the length of Floor Leveler, and raise that corner. Rotate clockwise to lower that corner

20

Adjustable Magnetic catcher

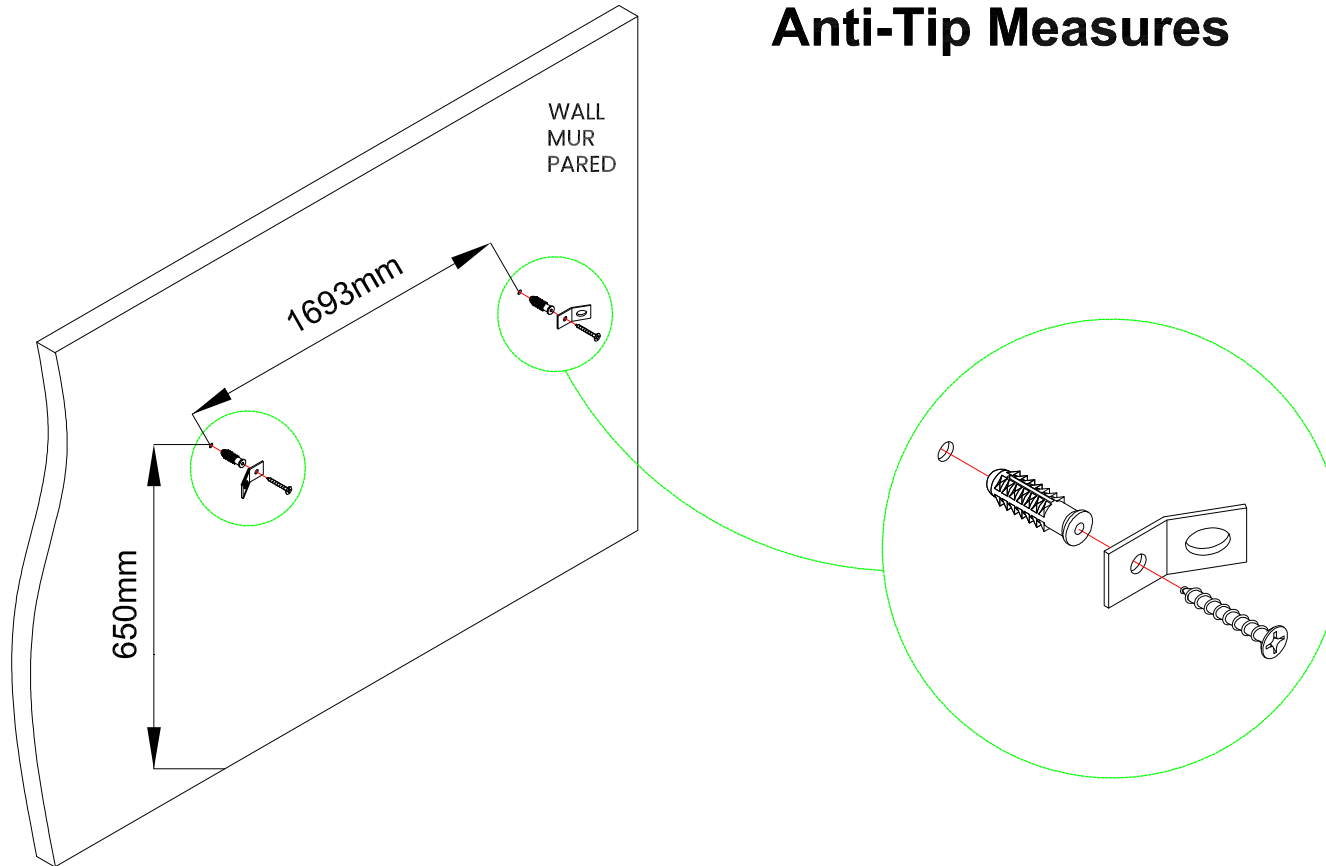


Rotate counterclockwise to increase the length of Magnetic catcher, rotate clockwise to shorten the catcher

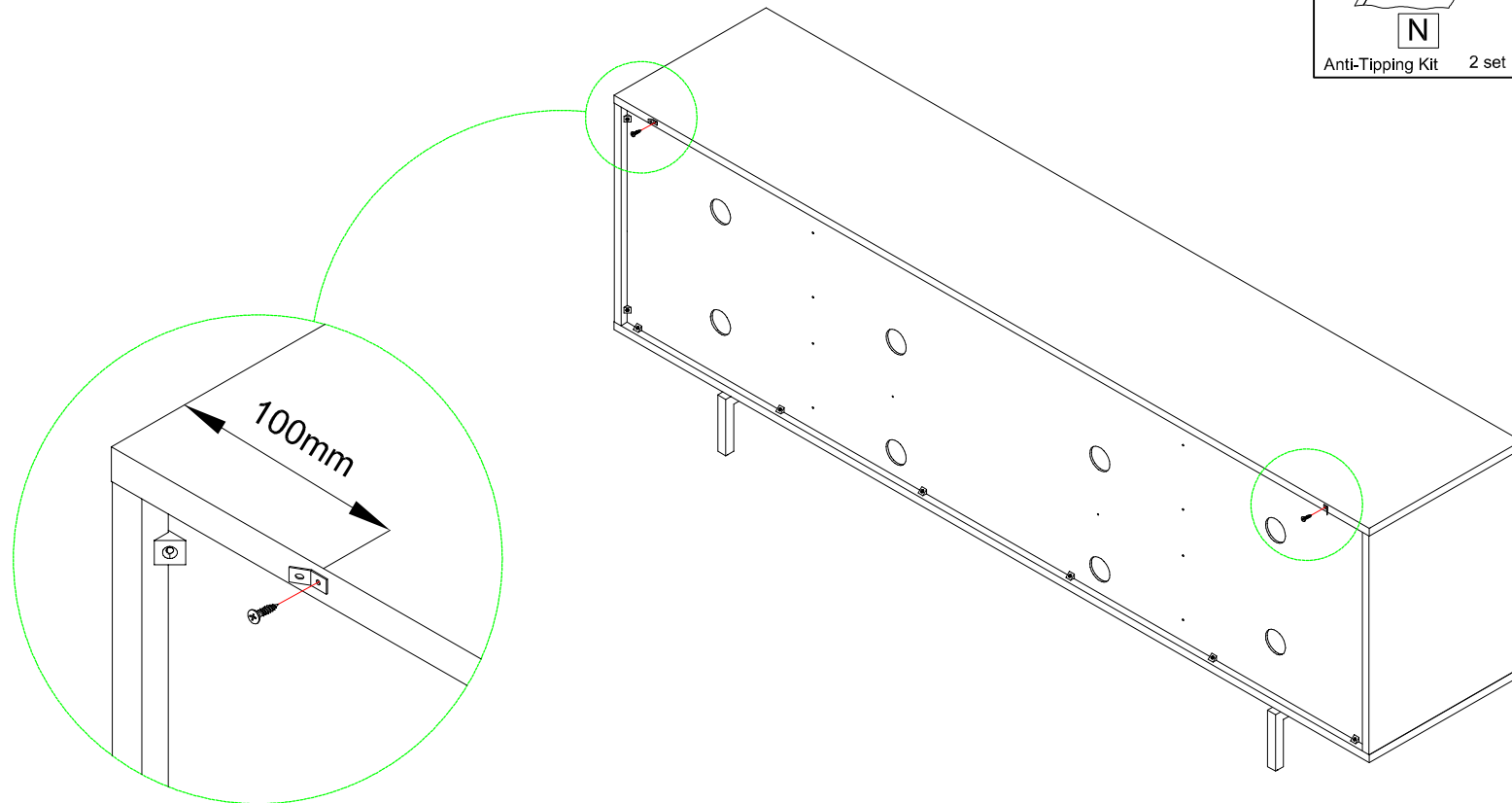
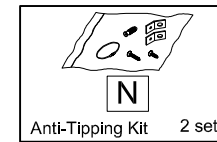


21

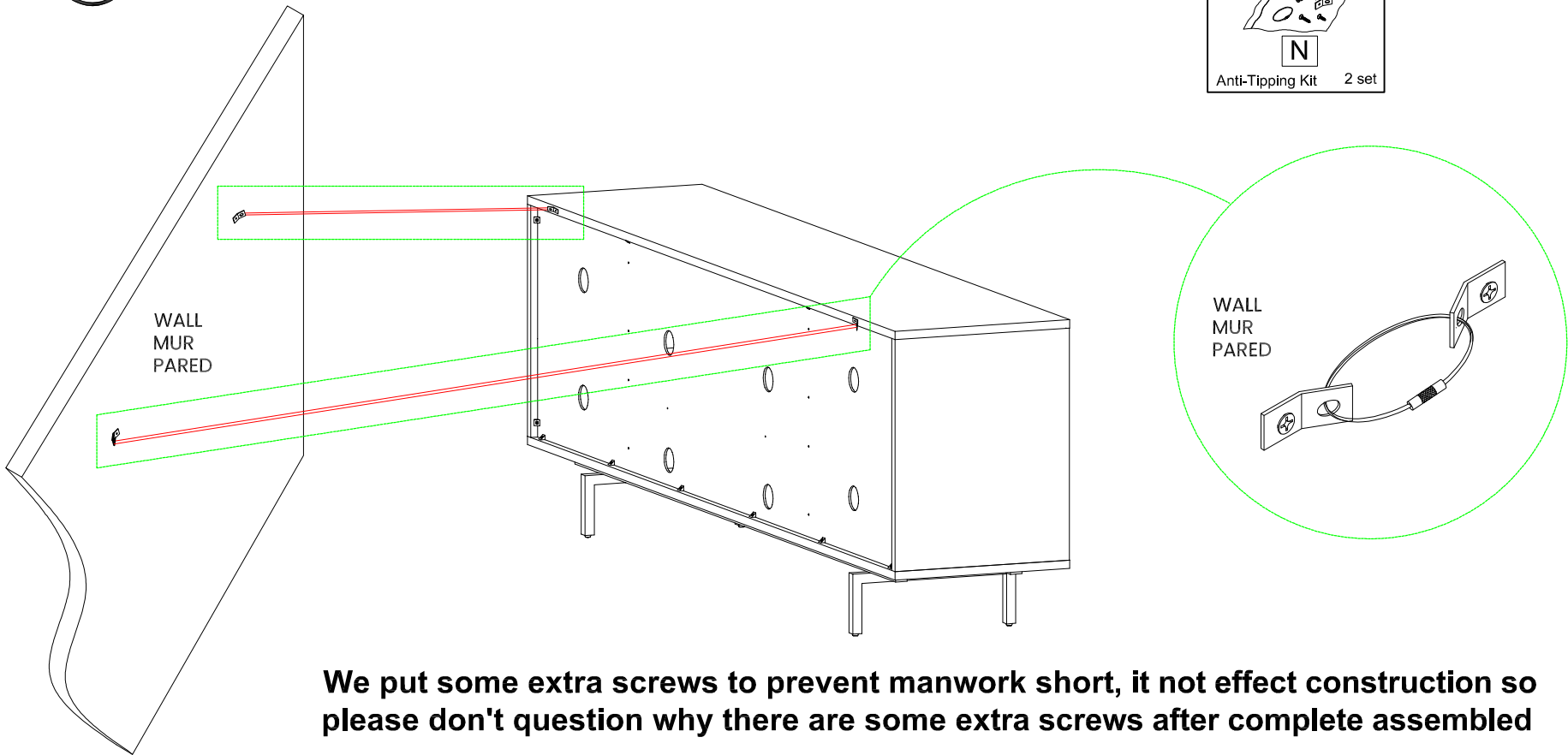
Anti-Tip Measures



22



22



We put some extra screws to prevent manwork short, it not effect construction so please don't question why there are some extra screws after complete assembled