

# LIVING DISTRICT

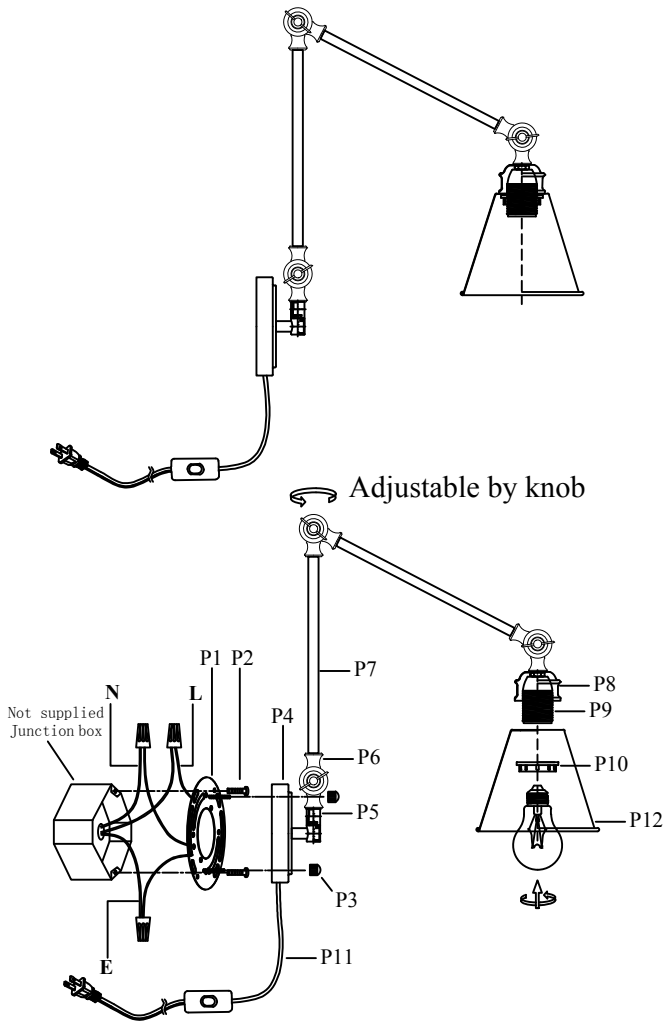
Collection: Vesa

Installation manual for:

LD7328W6BRA W5.9"\*E15.7" H17.7" L1

## Installation instructions:

1. Black wire from (junction box) attaches to "L" wire from the fixture.
  2. White wire from (junction box) attaches to "N" wire from the fixture.
  3. "E" wire from the fixture is attached to the mounting bracket and an additional "E" wire from the mounting bracket must be secured to the junction box.
  4. Secure mounting bracket to the junction box.
  5. Install the lamp body to the mounting bracket by Nut(P3), and adjust the metal arms.
  6. Locking the Metal shade(P12) on the lamp body by socket rings(P10).
  7. Install E26 light source and plug in the socket. (Bulbs not supplied) .
- The end!



Part Number	Part	Picture	Description	Qty	
MB7S03	P1		Mounting bracket Φ4"*H1.2"	1	
	P2		Mounting bracket screw	2	
P-LD7328W6BRA-1	P3		Nut	2	
	P4		Backplate (Ø4.7"*H1")	1	
	P5		Head metal part(W1.6"*H1.4")	1	
	P6		Head metal part(Ø1.4"*H2.7")	3	
	P7		Rod (Φ0.5"*H9.4")	2	
	P8		Socket Cup (Φ2.2"*H1.4")	1	
	P9		E26 holder	1	
	P10		Socket rings	1	
	P11		SPT-2, L72. 8"	1	
	FR7S02-BK	P12		Metal shade (Φ5.9"*H4.9")	1

"L" = Hot wire

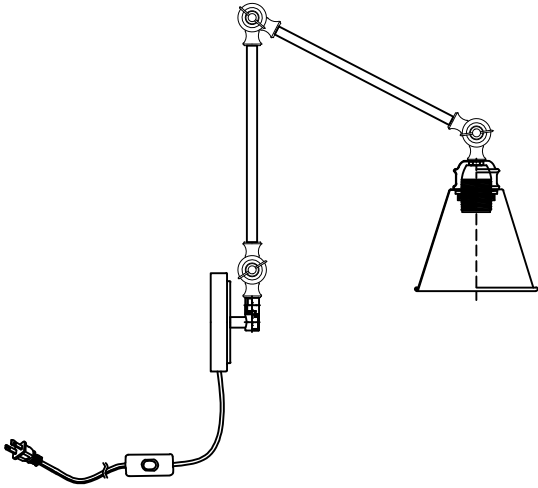
"N" = Neutral wire

"E" = Ground wire

# Cord-Tie-Down Kit

## WARNING - Strangulation Hazard.

NEVER place any cord within reach of a child in a crib, playpen or toddler bed. ALWAYS secure cords to a wall. Check regularly to ensure that the cords are securely fastened.



Parts Included in this Kit:

