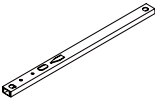
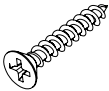
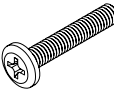
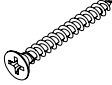

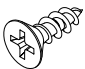
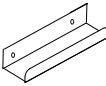
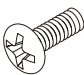
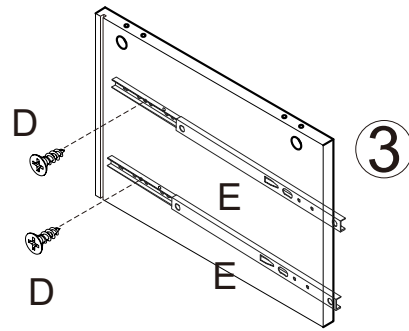
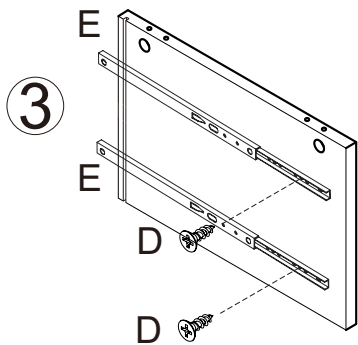
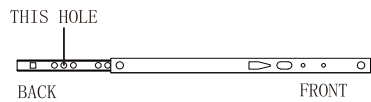
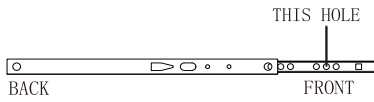
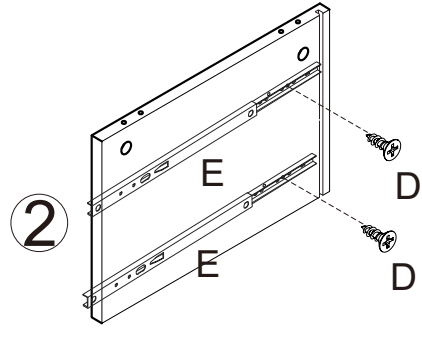
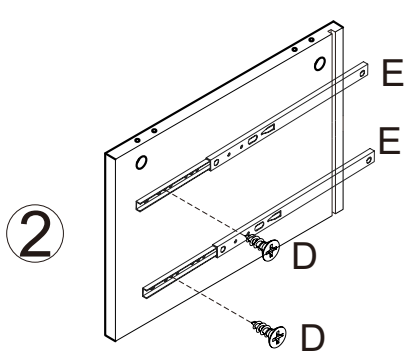
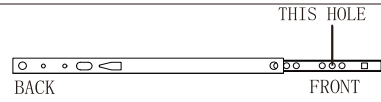
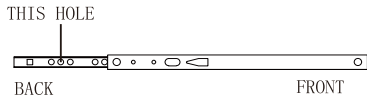


Ax12	Bx12	Cx8	Dx8
			
Ex4	Fx4	Gx4	Hx8
			
Ix8	Jx4	Kx2	Lx4

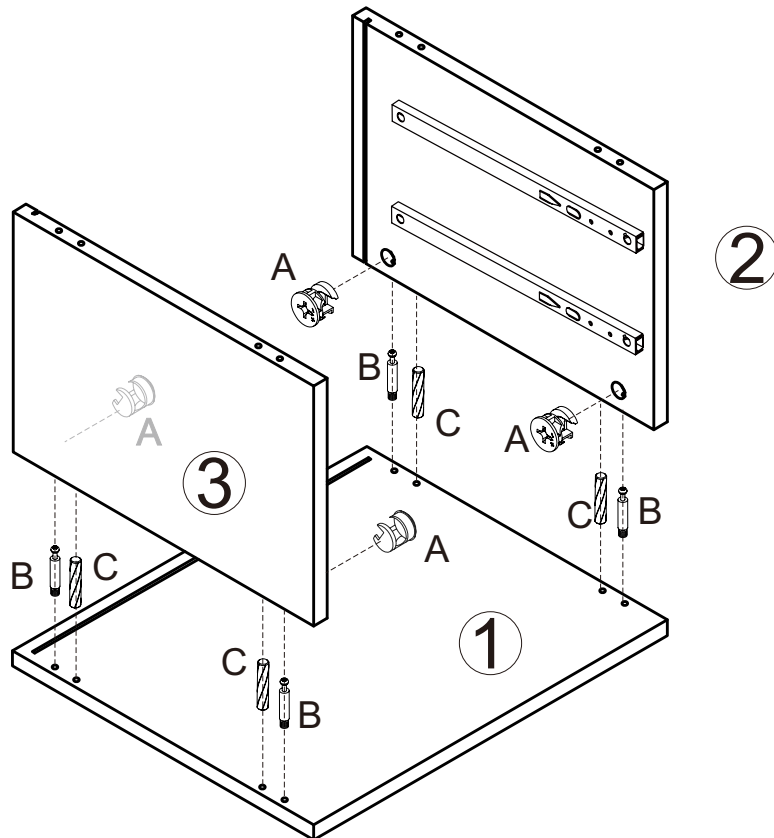
Step 1






	Dx8
	Ex4

Stretch Hardware E and fix it to Part 2&3 with D

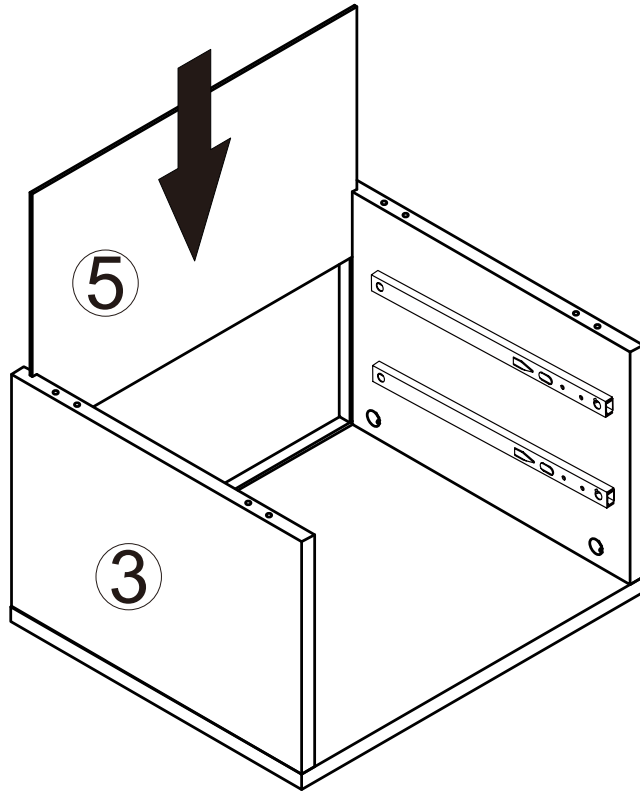
Step 2



	Ax4
	Bx4
	Cx4

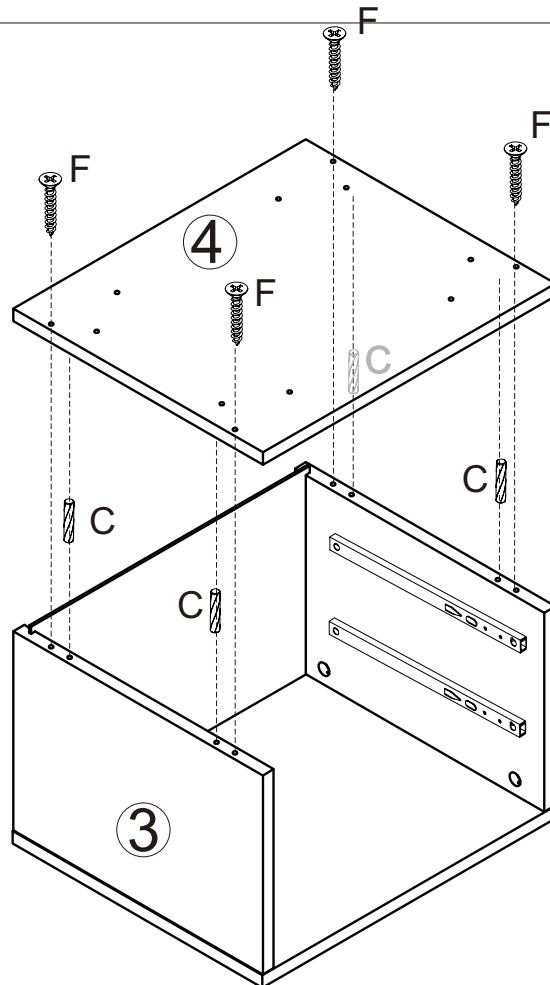
Connect Part 1 to 2&3 with Hardware C&B and lock them with A (Screw A tight clockwise)



Step 3



Insert Part 5 along the slots of 3&2 into 1

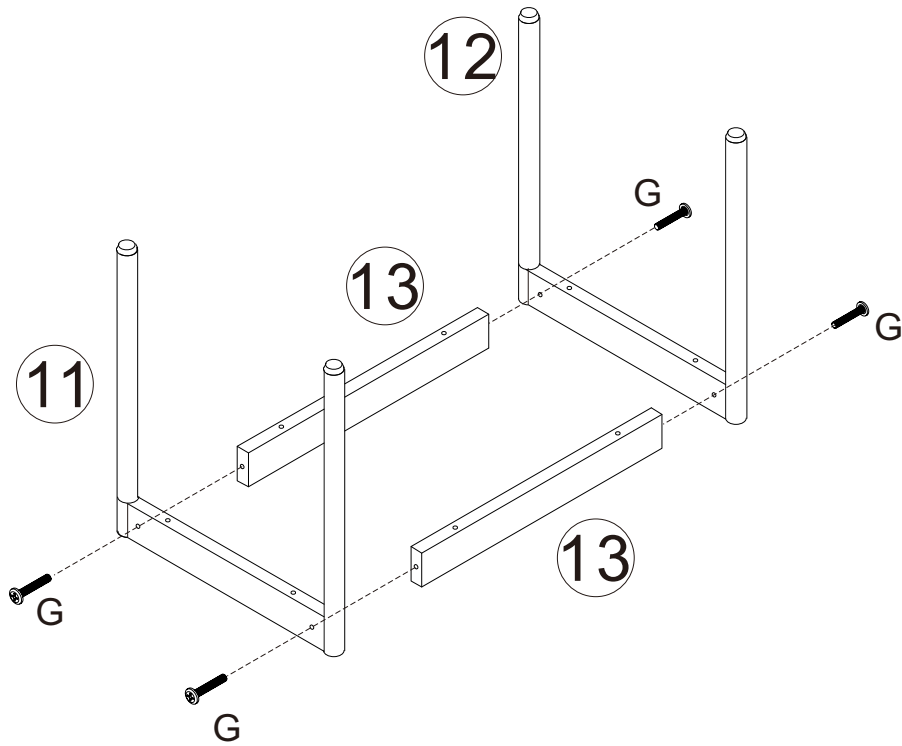
Step 4



	Cx4
	Fx4

Lock Part 4 to 3&2 with Hardware C&F

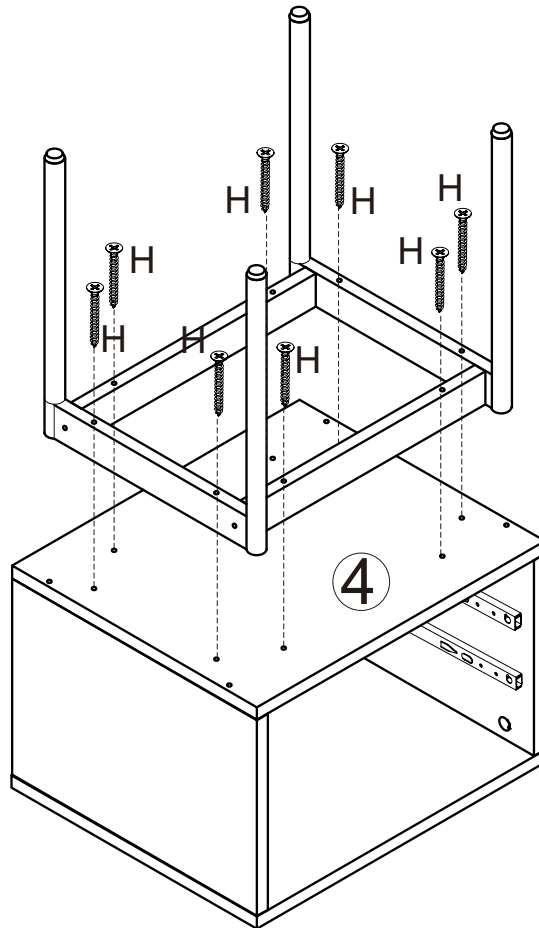
Step 5



Gx4

Connect Part 13 to 11&12 with Hardware G

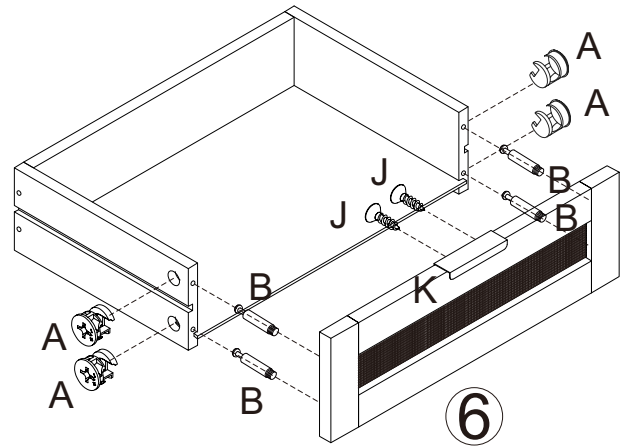
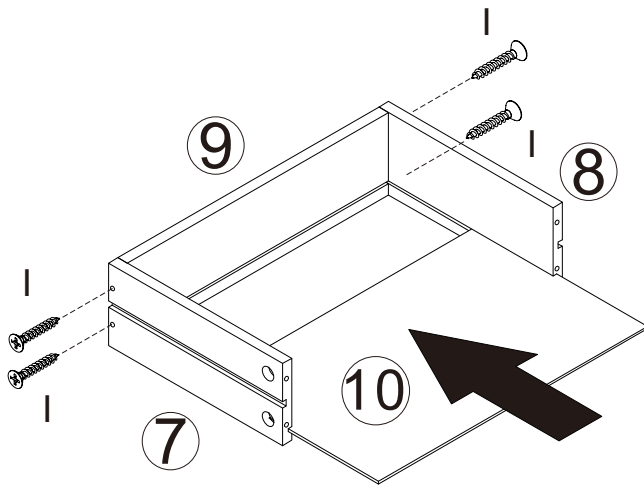
Step 6








Hx8

Lock the frame to Part 4 with Hardware H

Step 7

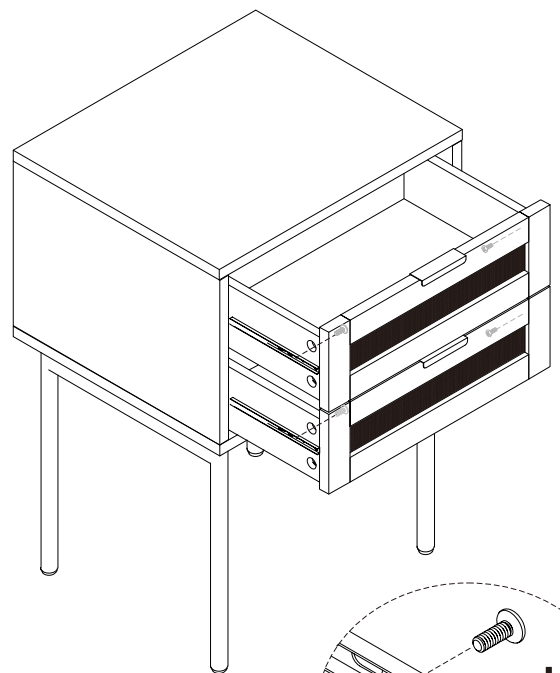
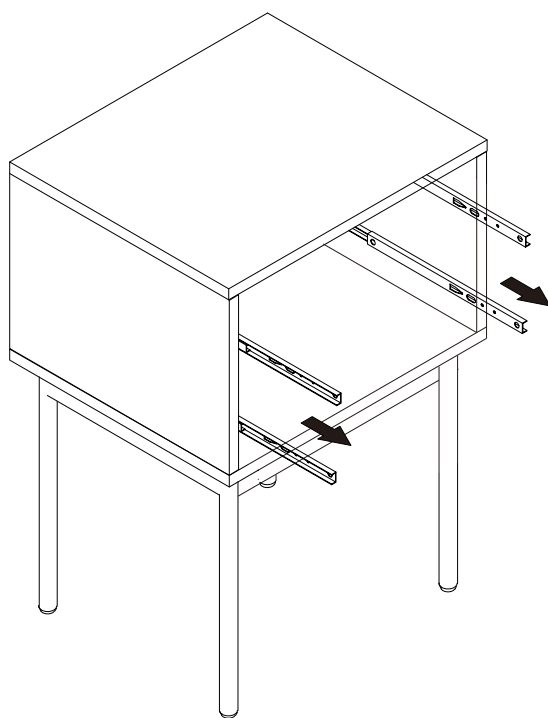


Connect Part 9 to 7&8 with Hardware I
 Insert Part 10 along the slots of 7&8 into 9
 Install Hardware K on Part 6 with J and fix B to 6
 Lock Part 6 to 7&8 with Hardware A (Screw A tight clockwise)

	Ax8		Bx8		Jx4
	Ix8		Kx2		

x2

Step 8



Pull out Hardware E (drawer slide) and install drawers with L

	Lx4
-------------------------------------------------------------------------------------	-----

