

# CKLT<sup>®</sup> 26-Inch Fireplace Tool Set

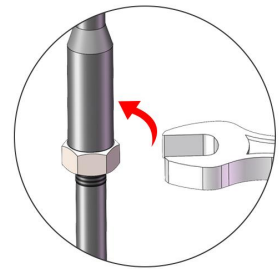
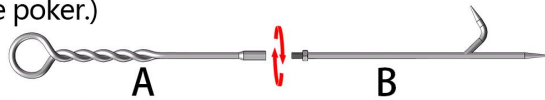
## Packing List



## Assembly Instructions

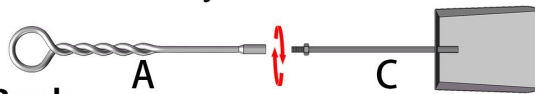
### Step 1: Assemble the Poker

Align the threads of **Handle (A)** with **Poker Tip (B)** and screw them together until secure. (Note: Use the nut on Part B to adjust the orientation of the poker.)



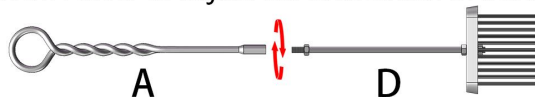
### Step 2: Assemble the Shovel

Align the threads of **Handle (A)** with **Shovel Head (C)** and screw them together until secure. (Note: Use the nut on Part C to adjust the orientation of the shovel.)



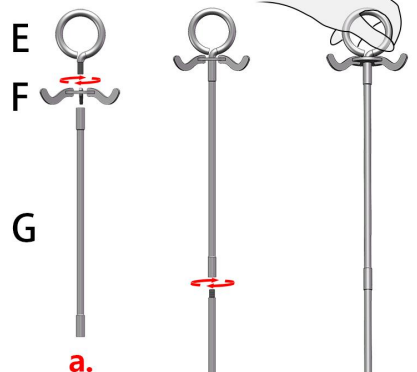
### Step 3: Assemble the Brush

Align the threads of **Handle (A)** with **Brush Head (D)** and screw them together until secure. (Note: Use the nut on Part D to adjust the orientation of the brush.)



### Step 4: Assemble the Stand

**a. Assemble the Top Section:** Screw **Top Ring (E)**, **Hanger Support (F)**, and **Upper Stand Pole (G)** together as shown.



**b. Connect the Stand Poles:** Screw the assembled top section into **Lower Stand Pole (H)**.



**c. Install the Base:** Use one hand to hold the stand steady. With the other hand, use **Wrench (53)** to tighten **Lock Nut (52)** onto the bottom of **Tripod Base I**. Ensure the entire assembly is firm and stable.



## Assembly Complete

