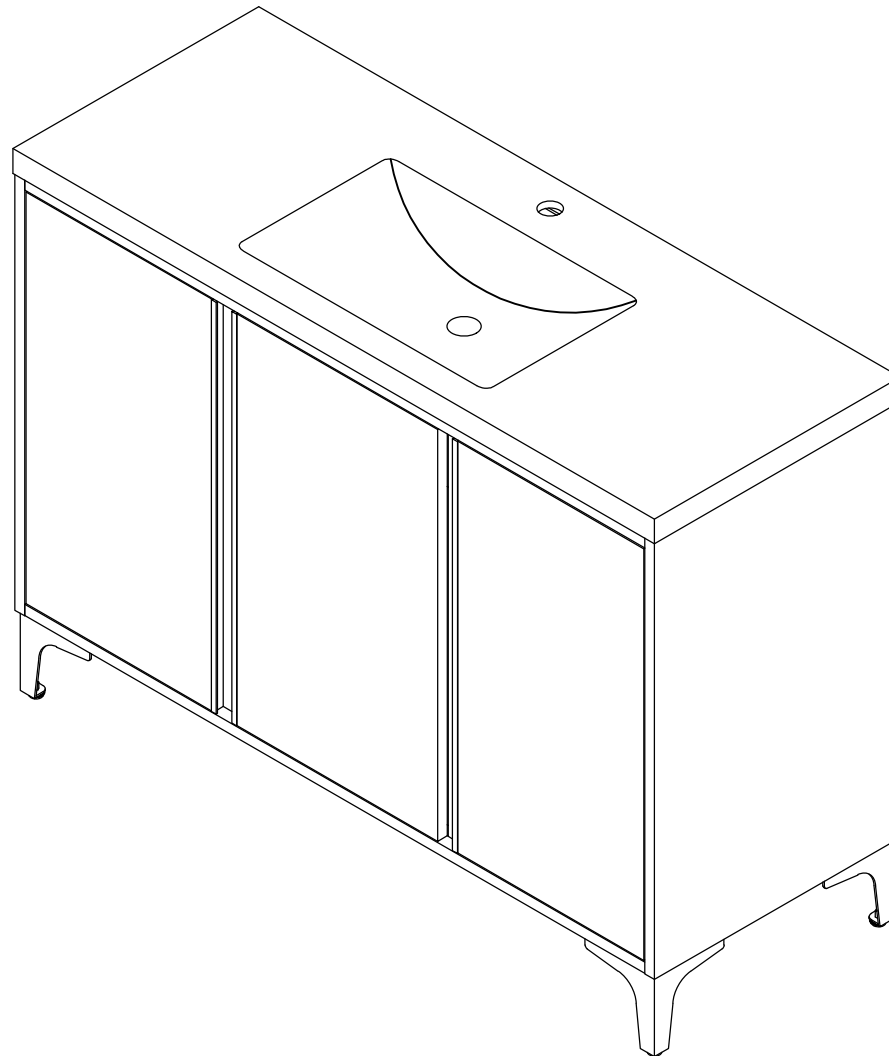
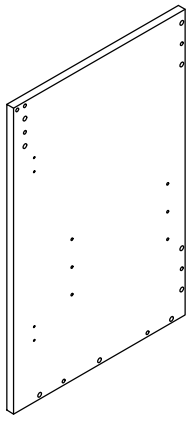


# ASSEMBLY INSTRUCTIONS

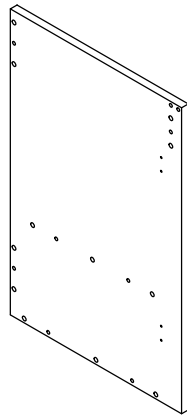
500606-48.



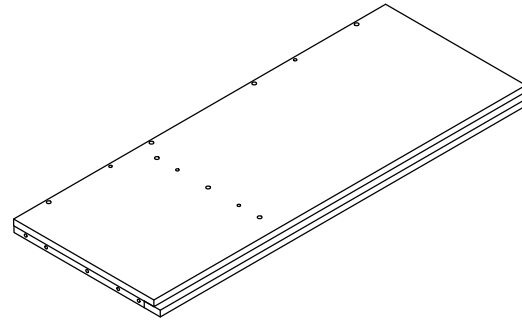
① x1



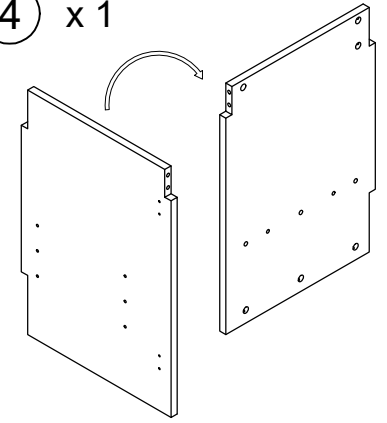
② x1



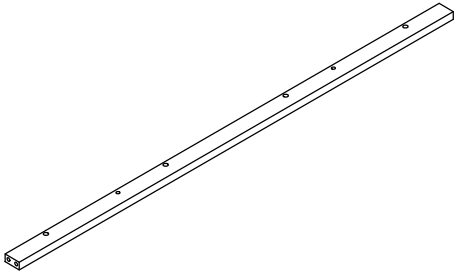
③ x1



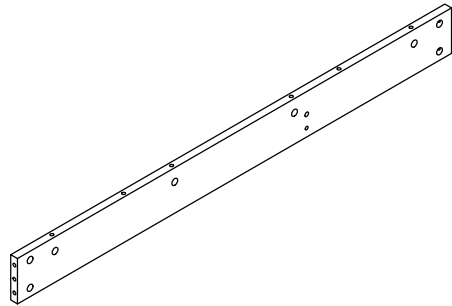
④ x1



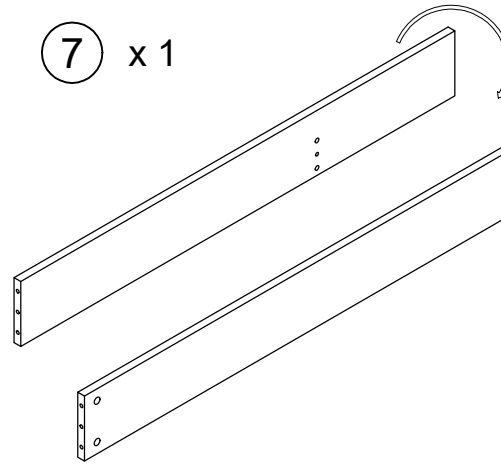
⑤ x1



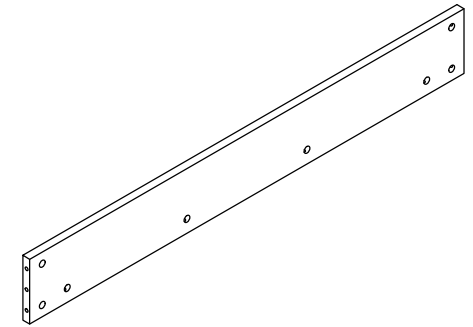
⑥ x1



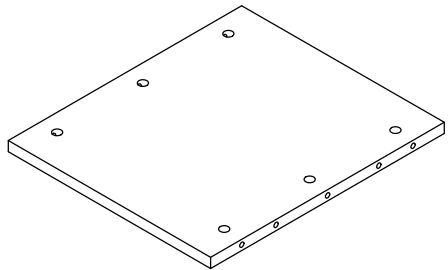
⑦ x1



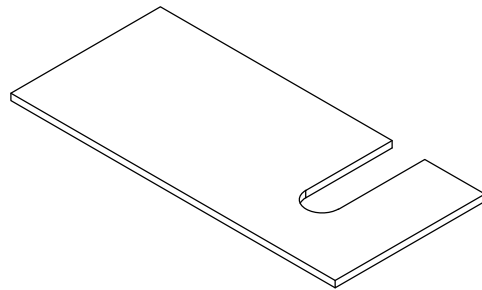
⑧ x1



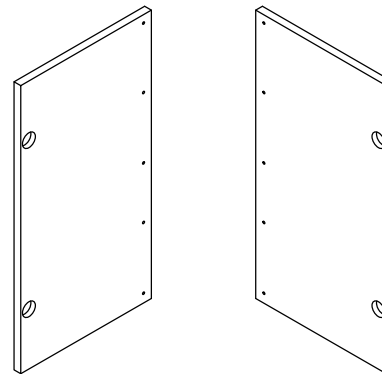
⑨ x1



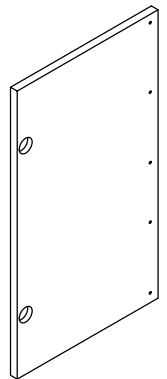
⑩ x1



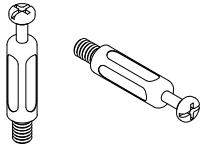
⑪ x2



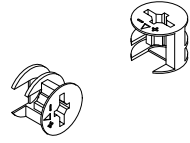
⑫ x1



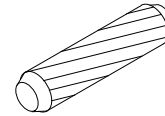
**A** x 38



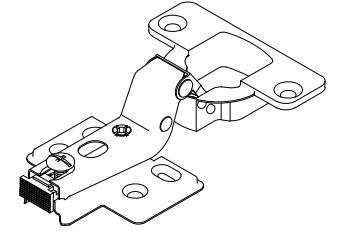
**B** x 38



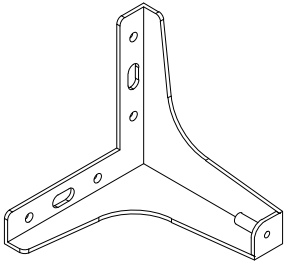
**C** x 28



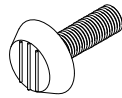
**D** x 4



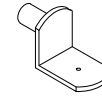
**E** x 4



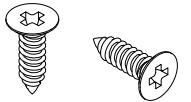
**F** x 4



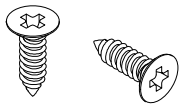
**G** x 4



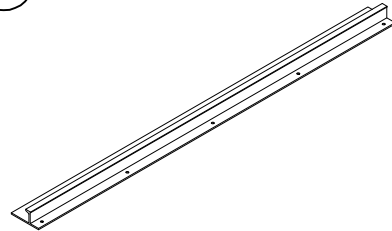
**H** x 36  
(3.5\*14mm)



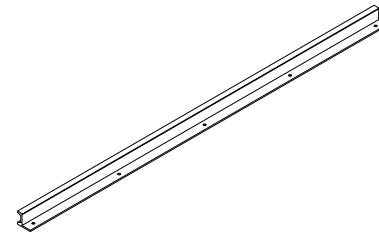
**I** x 15  
(3.5\*14mm)



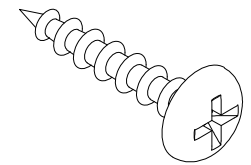
**J** x 2



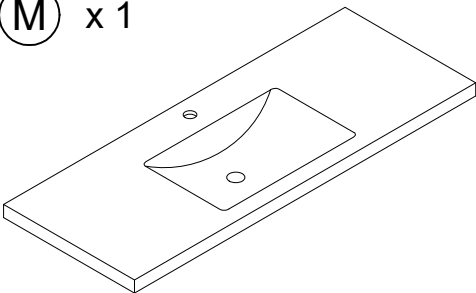
**K** x 1



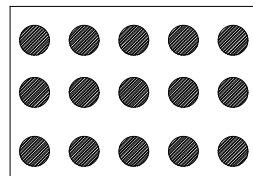
**L** x 16  
(3.5\*17mm)



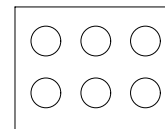
**M** x 1



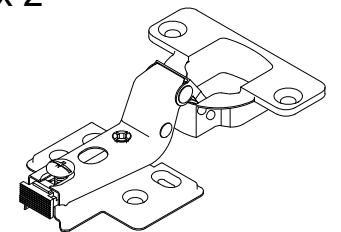
**N** x 38



**O** x 6

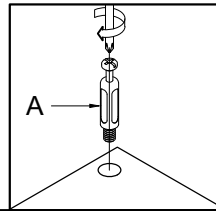
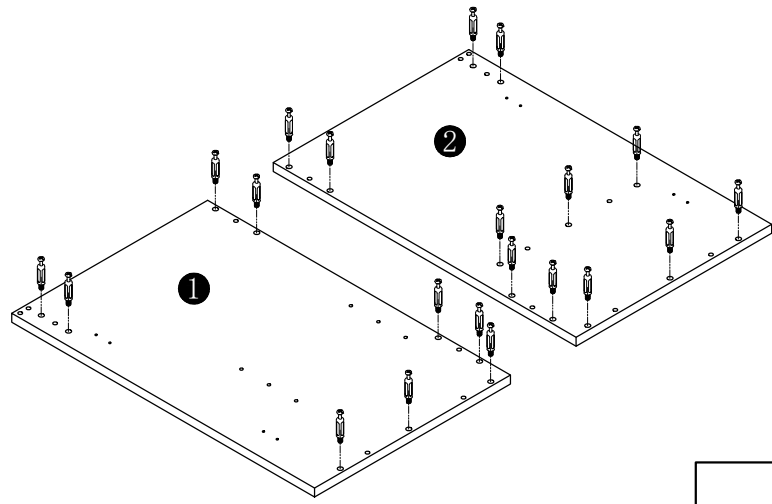


**P** x 2



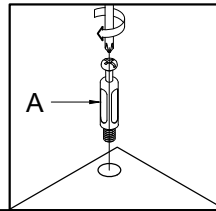
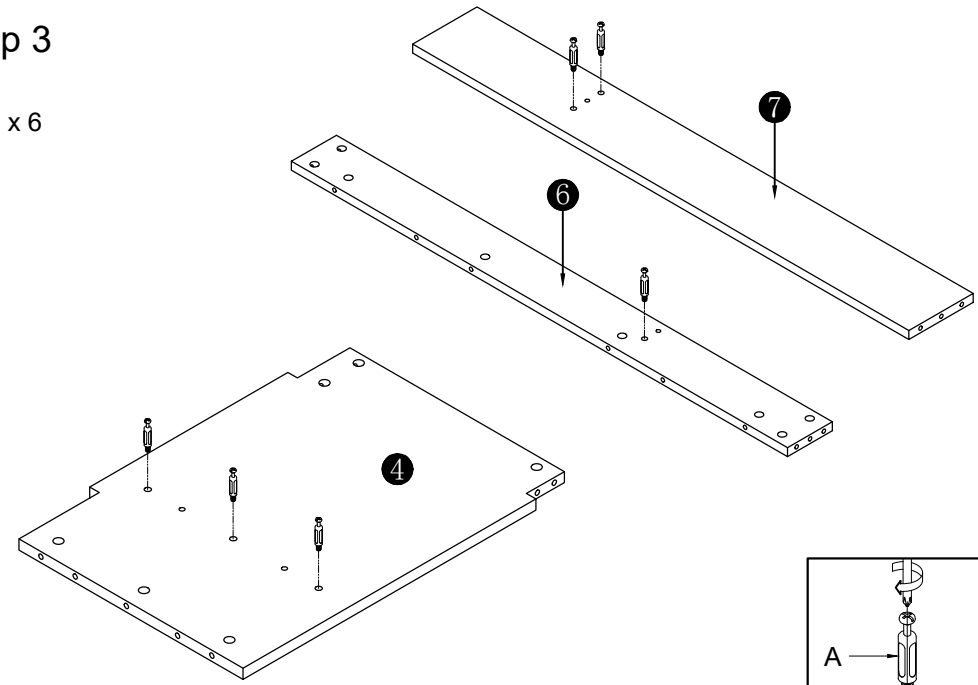
### Step 1

(A) x 21



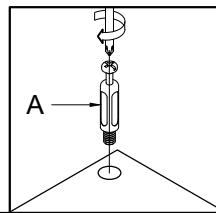
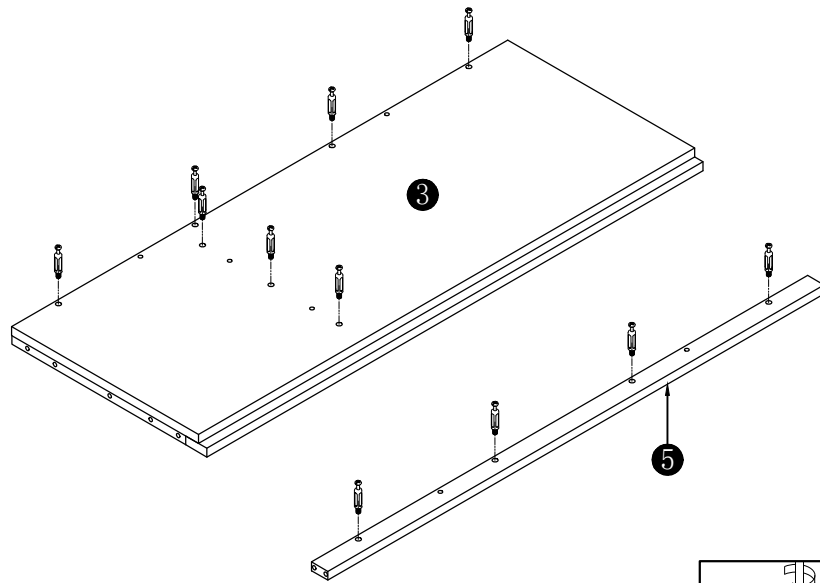
### Step 3

(A) x 6



### Step 2

(A) x 11

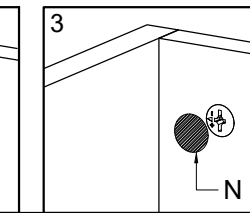
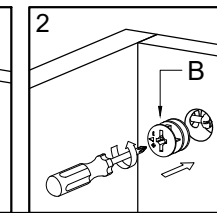
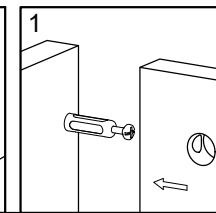
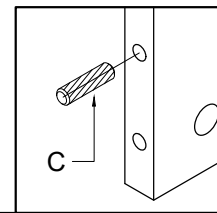
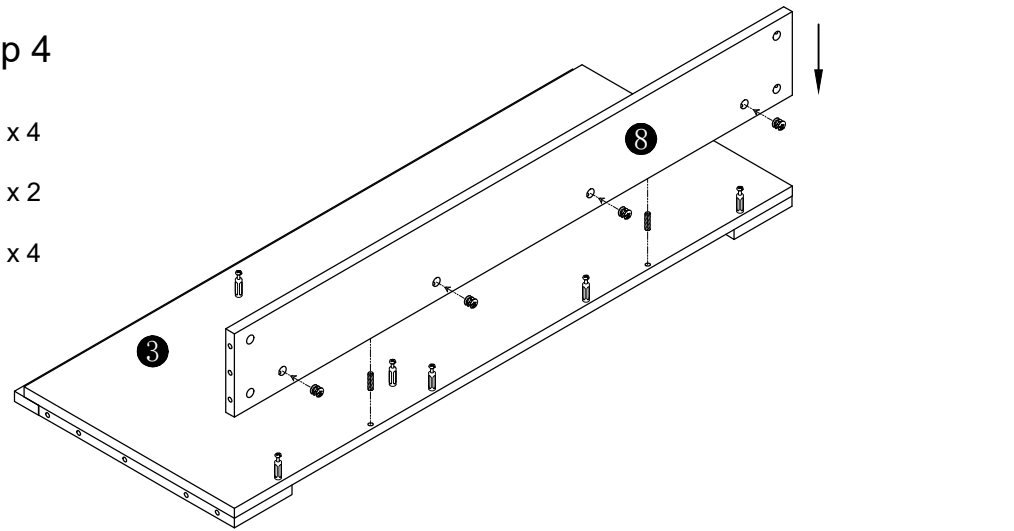


### Step 4

(B) x 4

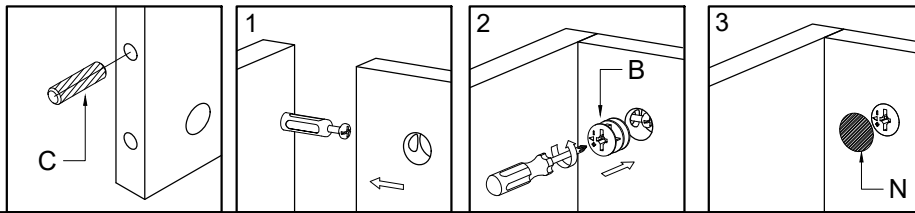
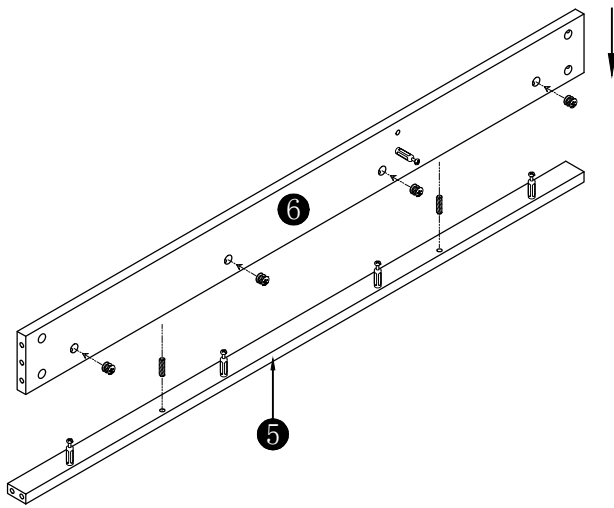
(C) x 2

(N) x 4



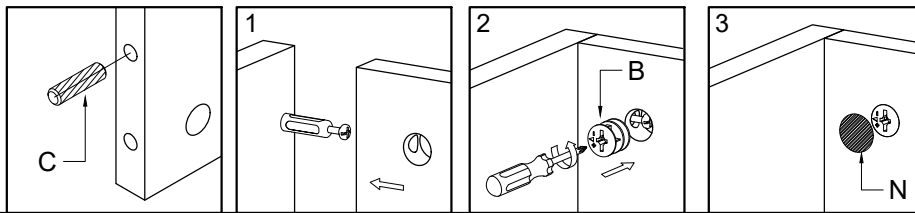
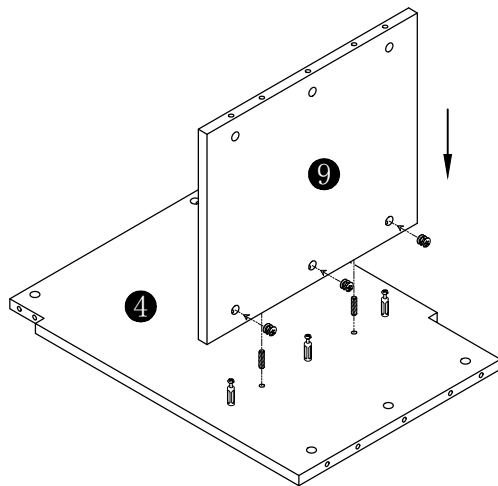
### Step 5

- (B) x 4
- (C) x 2
- (N) x 4



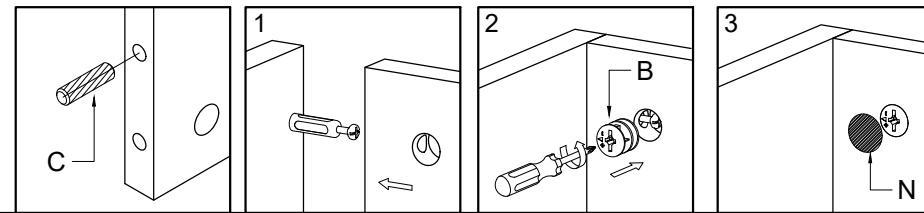
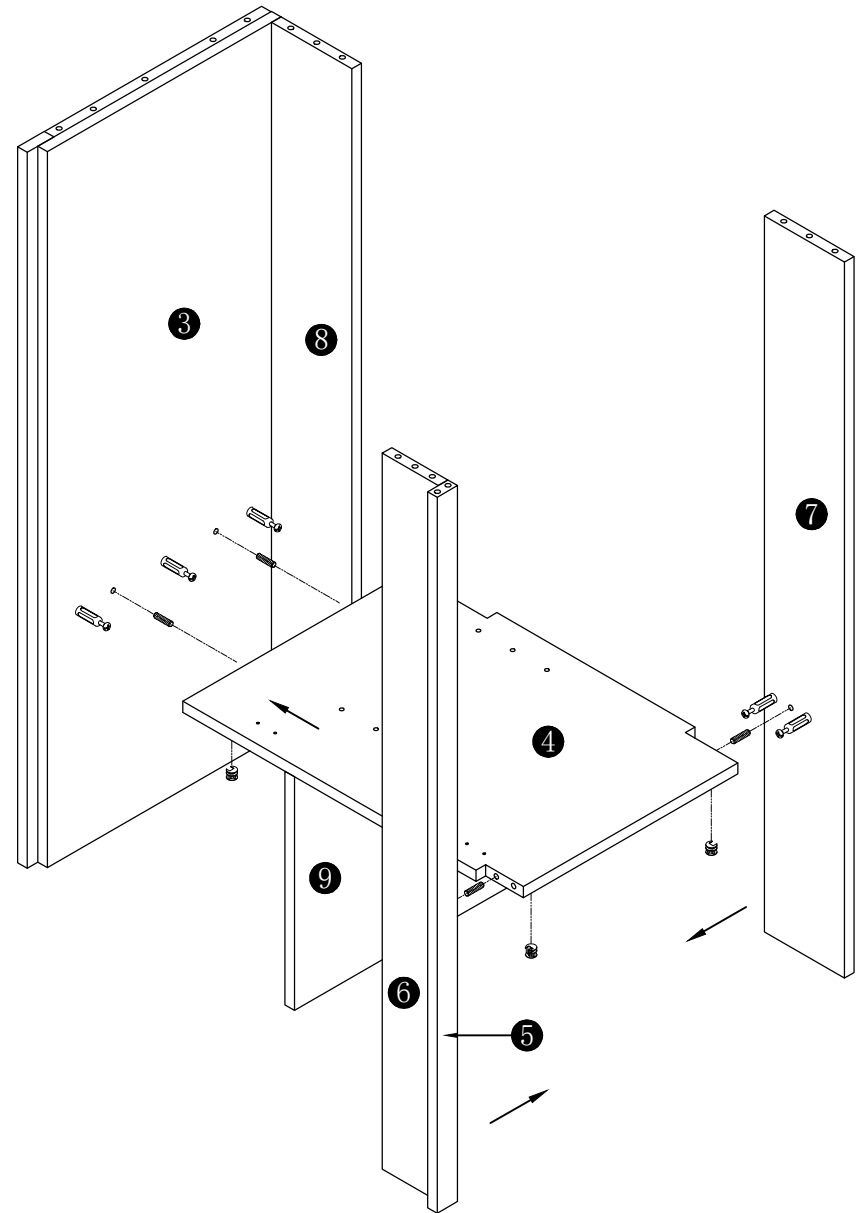
### Step 6

- (B) x 3
- (C) x 2
- (N) x 3



### Step 7

- (B) x 6
- (C) x 4
- (N) x 6

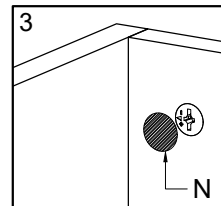
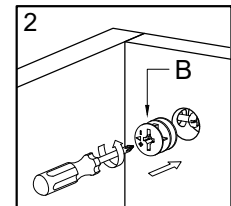
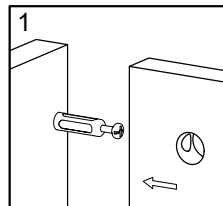
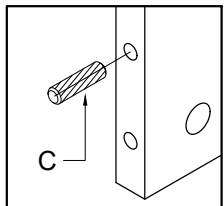
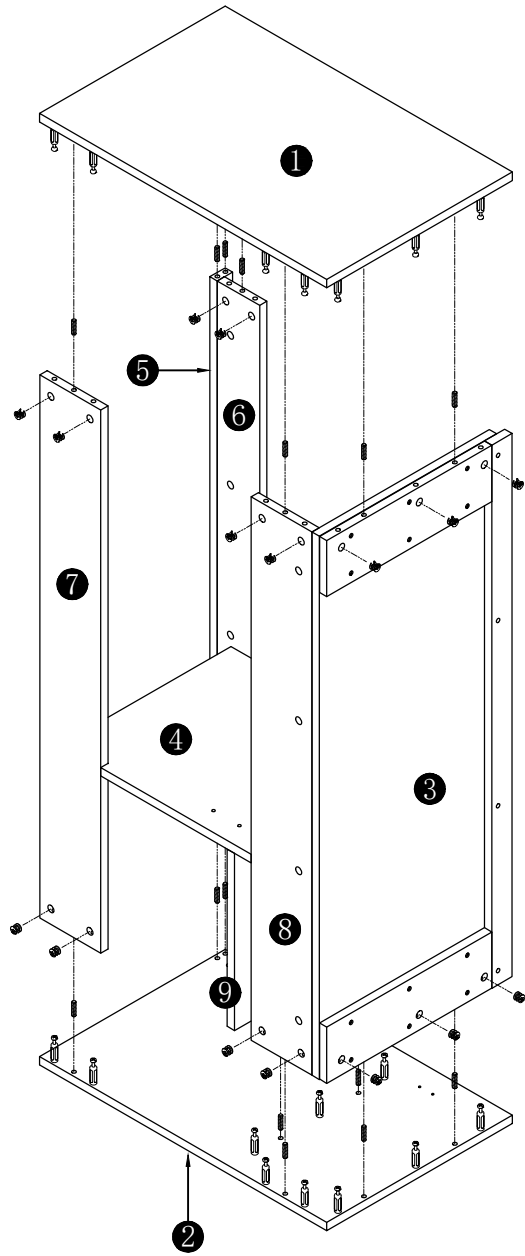


## Step 8

(B) x 21

(C) x 16

(N) x 21

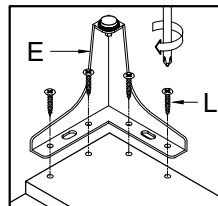
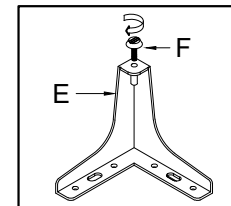
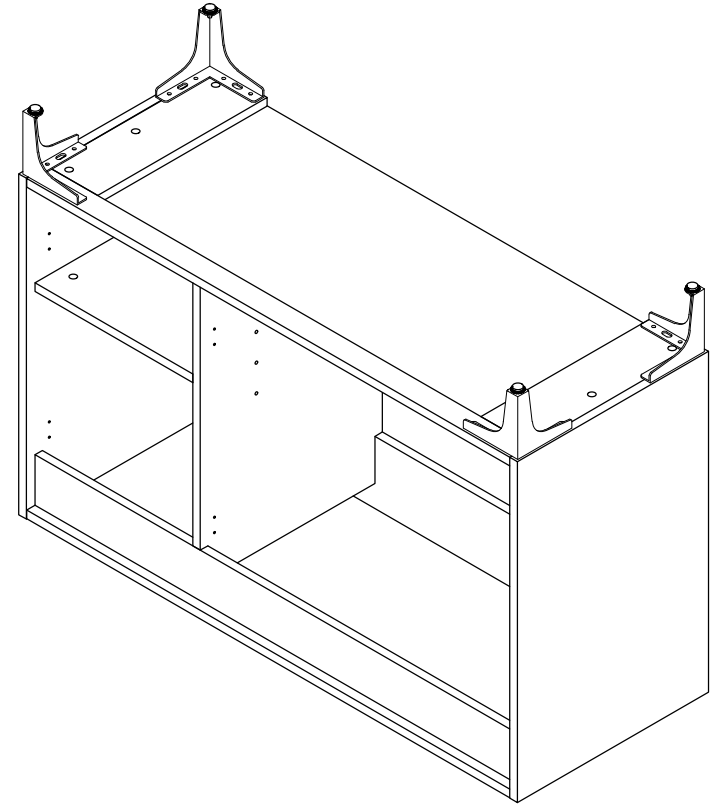


## Step 9

(E) x 4

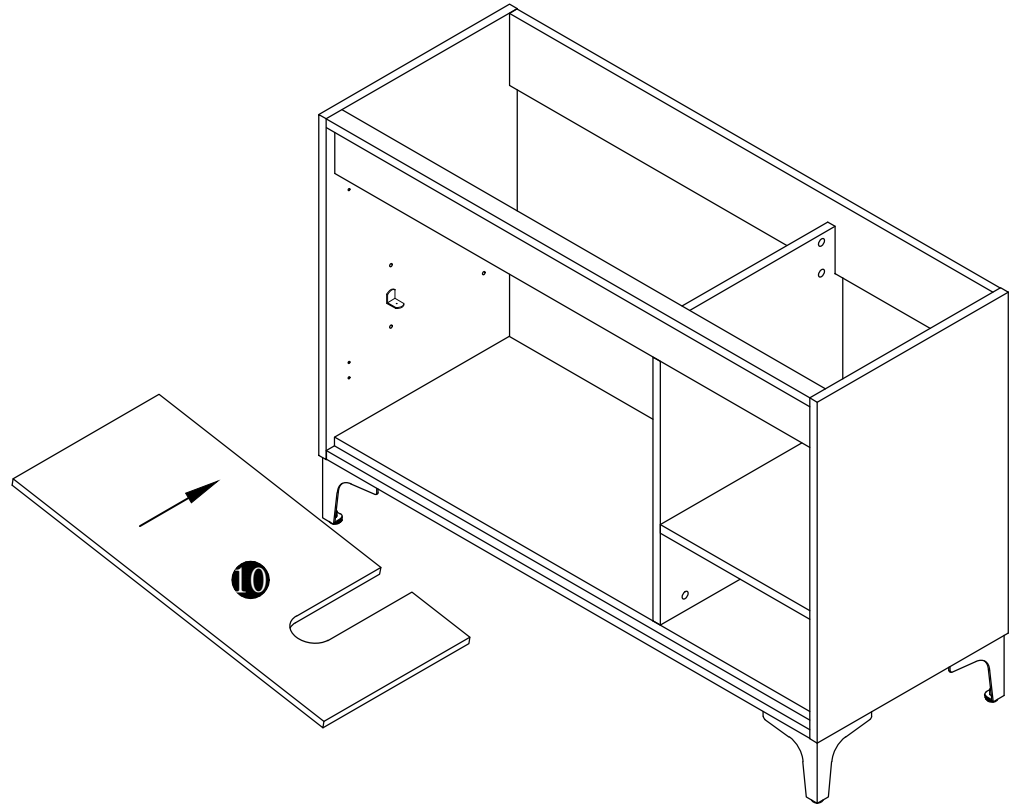
(F) x 4

(L) x 16



# Step 10

ⓐ x 4



# Step 11

ⓓ x 4

Ⓟ x 2

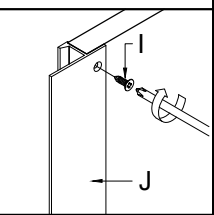
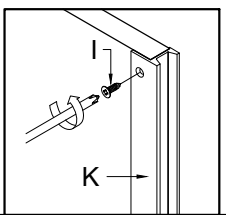
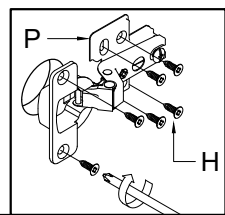
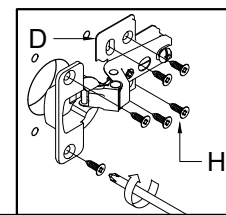
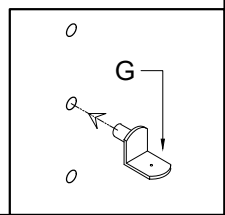
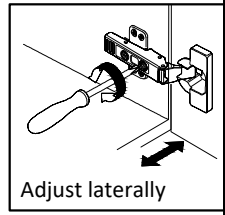
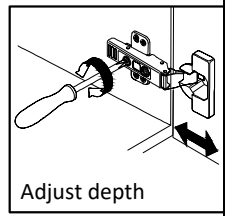
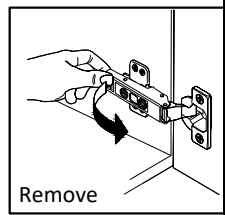
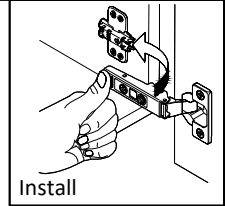
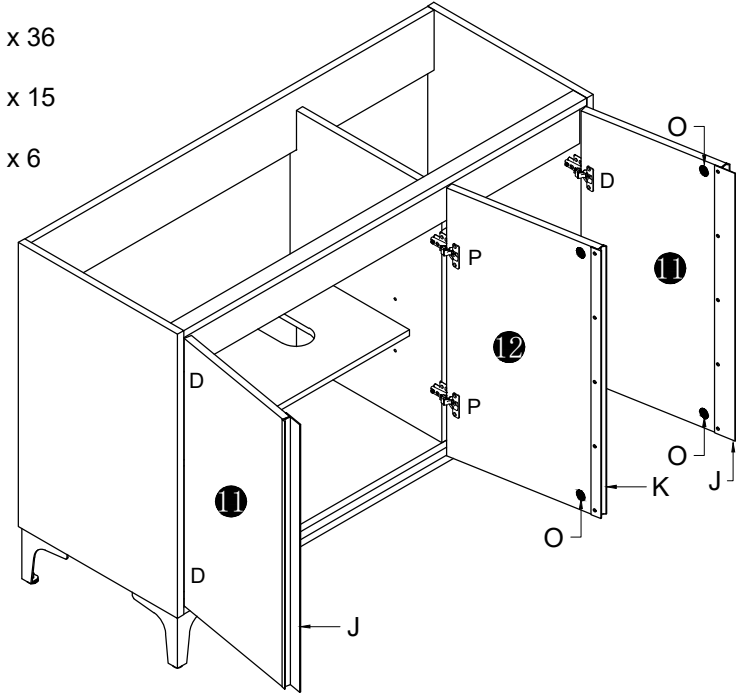
ⓙ x 2

Ⓚ x 1

ⓓ x 36

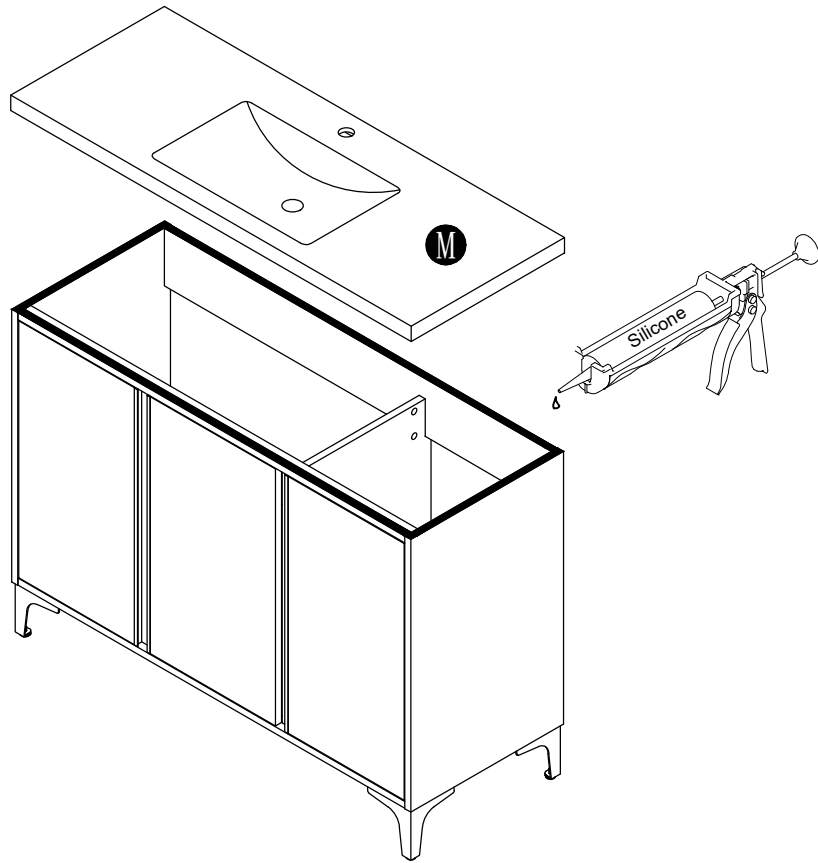
Ⓛ x 15

ⓐ x 6

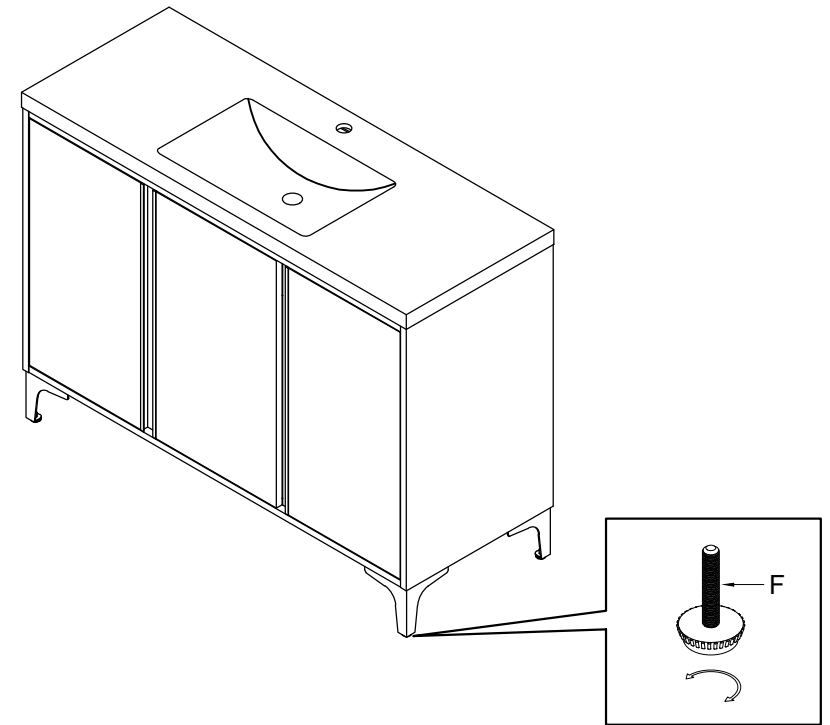


# Step 12

(M) x 4



# Complete



Keep your **Bellaterra Home** resin sink looking **beautiful** and performing at its **best** by following these simple care instructions.

---

---

#### Initial Cleaning (Upon Receipt)

- Use a **neutral, transparent cleaning agent** to clean the surface.
  - Wipe thoroughly with a **clean, lint-free towel** until completely dry.
- 
- 

#### Matte-Finish Sink Care

- If you notice **fine particles** on the surface, use the **included sandpaper** to **gently sand** in a **single, consistent direction**.
  - Apply **light pressure** to avoid surface damage.
- 
- 

#### Prevent Scratches

- Avoid placing **sharp or hard objects** (e.g., knives, nail files, metal clips) directly on the basin.
  - Use **anti-slip pads** or **soft coasters** under soap dishes, cosmetic containers, and other bathroom items to reduce friction and prevent scratches.
- 
- 

#### Avoid Harsh Chemicals

- **Do not use** strong acidic or alkaline cleaners, such as **toilet bowl cleaners** or **concentrated descalers**.
  - These can **corrode, discolor,** or **dull** the resin surface.
  - Always choose **mild, neutral cleaning products** for daily maintenance.
- 
- 





#### Remove Stains Promptly

- Wipe off **colored liquids** (e.g., hair dye, tinted cleansers, colored mouthwash) and **pigmented cosmetics** immediately.
  - Use a **neutral cleaning agent** to prevent stains from setting into the resin surface.
- 
- 

#### Protect from Sunlight

- Avoid exposing your sink to **direct sunlight** or **high heat** for prolonged periods.
  - Excessive exposure may cause **fading, discoloration,** or **surface cracking**.
- 
- 

#### Quick Tips

-  Clean regularly using mild products
  -  Wipe dry after each use to maintain shine
  -  Do not scrub aggressively
  -  Do not expose to extreme temperatures
- 
- 

#### Need Help? We're Here for You!

- If you have any questions or issues with your resin sink top, please feel free to contact us.
- If possible, include images or a short video of the problem area when emailing us.
- This helps us troubleshoot issues quickly and provide faster support.

Bellaterra Home Customer Support

Email: [info@bellaterrahome.com](mailto:info@bellaterrahome.com)

Phone: 1-888-928-9918

Website: [www.bellaterrahomes.com](http://www.bellaterrahomes.com)