

Thank you for choosing this furniture.

**BEFORE YOU START ASSEMBLY** please store the carton at room temperature for 48 hours or more so the contents can acclimatise.

**PLEASE RETAIN ALL PACKING UNTIL YOU HAVE COMPLETED ASSEMBLY.**

**Information about your**

Our pine furniture ranges have been carefully crafted from solid wood and natural wood veneers. Each piece of pine has unique characteristics such as knots, variances in shading and graining. These are part of the natural character of the furniture itself.

**Caring for your**

Extreme temperature can cause slight movements in the wood itself so please avoid placing your furniture close to radiators or other direct sources of heat. Humidity should also be avoided.

Please avoid exposing your furniture to continued bright sunlight as it can affect the colour.

Any fluid spills should be removed as quickly as possible.

Always lift your furniture when moving as dragging may cause damage to your furniture or flooring.

**After care.**

Wipe the surfaces with a dry cloth and occasionally apply household furniture polish. For the models with drawers, we also recommend you use household spray polish occasionally on drawer grooves and runners as this will aid use. Please do not use detergents or chemicals on your furniture.

**PARTS LIST**

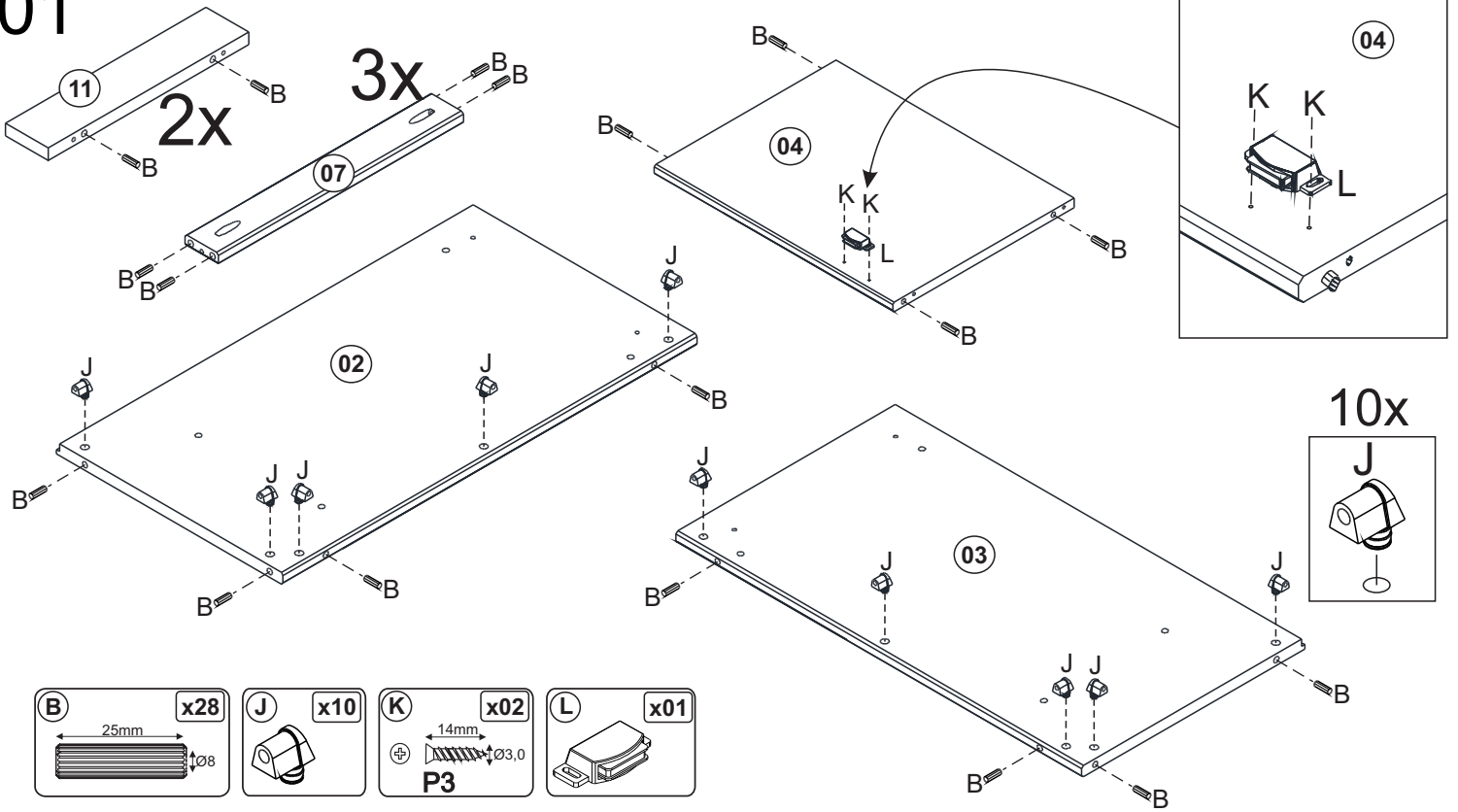
<b>A</b> 30mm x14 P3	<b>B</b> 25mm x28 ø8	<b>C</b> 25mm x10 P3 ø4,0	<b>D</b> x26 8x8
<b>E</b> x02	<b>F</b> x02	<b>G</b> x08	<b>H</b> 35mm x02 ø8
<b>I</b> 30mm x08 P3 ø3,0	<b>J</b> x10	<b>K</b> 14mm x04 P3 ø3,0	<b>L</b> x01
<b>M</b> x01	<b>N</b> x02	<b>O</b> 14mm x12 P3 ø3,5	<b>S</b> 30mm x06 P3 ø4,0
<b>Y</b> x01			

**BEFORE YOU START ASSEMBLY**

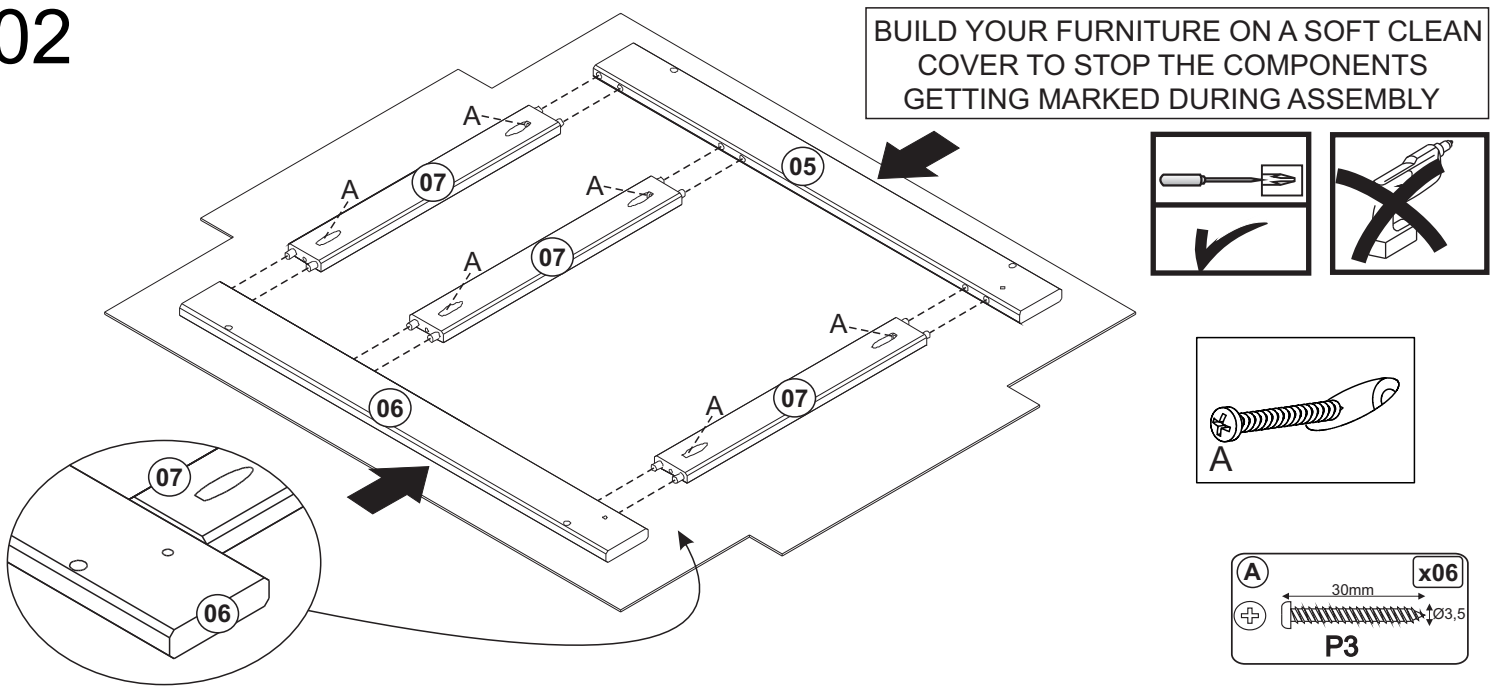
Please check that you have all the correct parts and fittings as detailed in the Parts List above.

**PLEASE RETAIN THIS INSTRUCTION LEAFLET FOR FUTURE REFERENCE.**

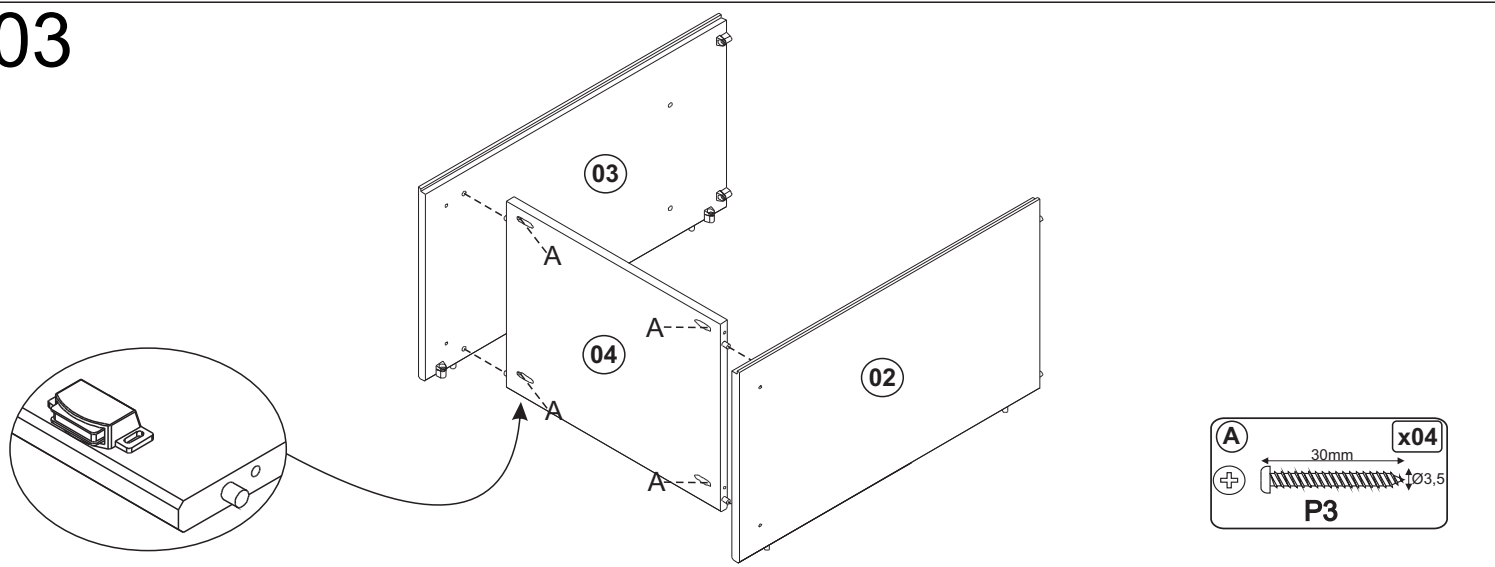
# 01



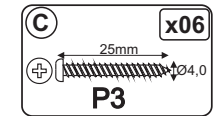
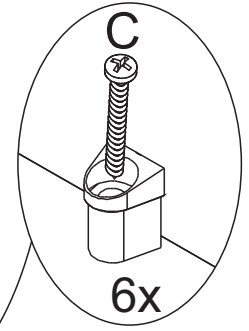
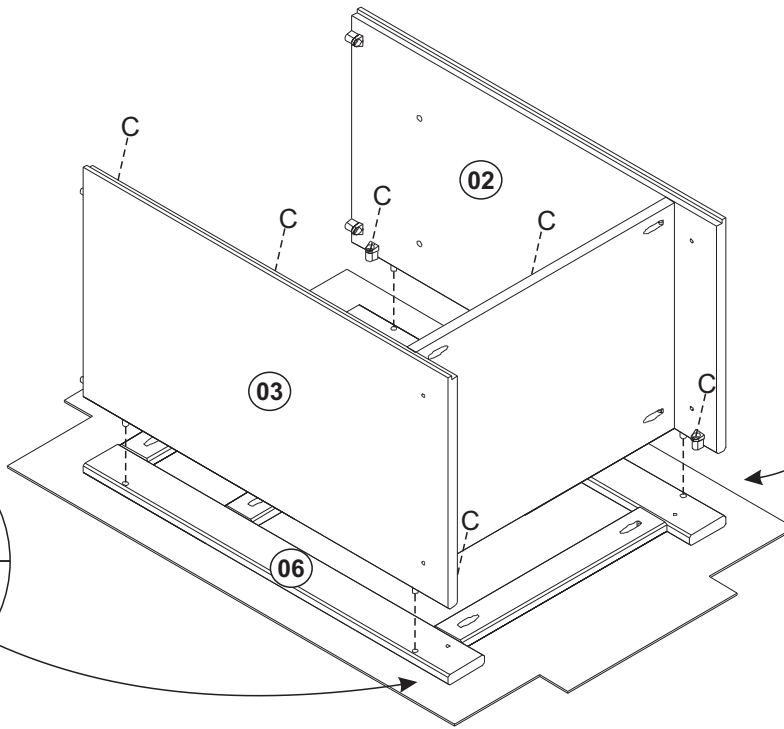
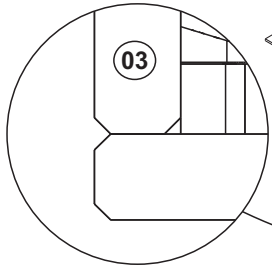
# 02



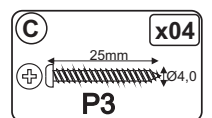
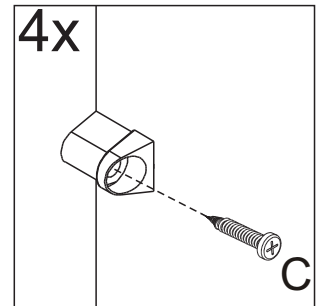
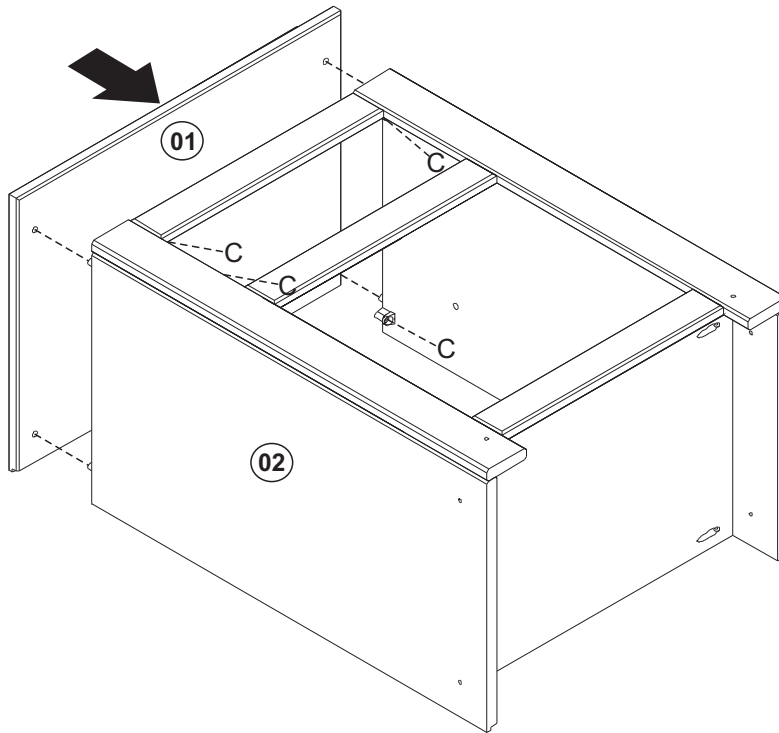
# 03



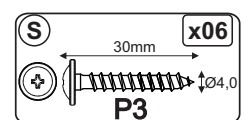
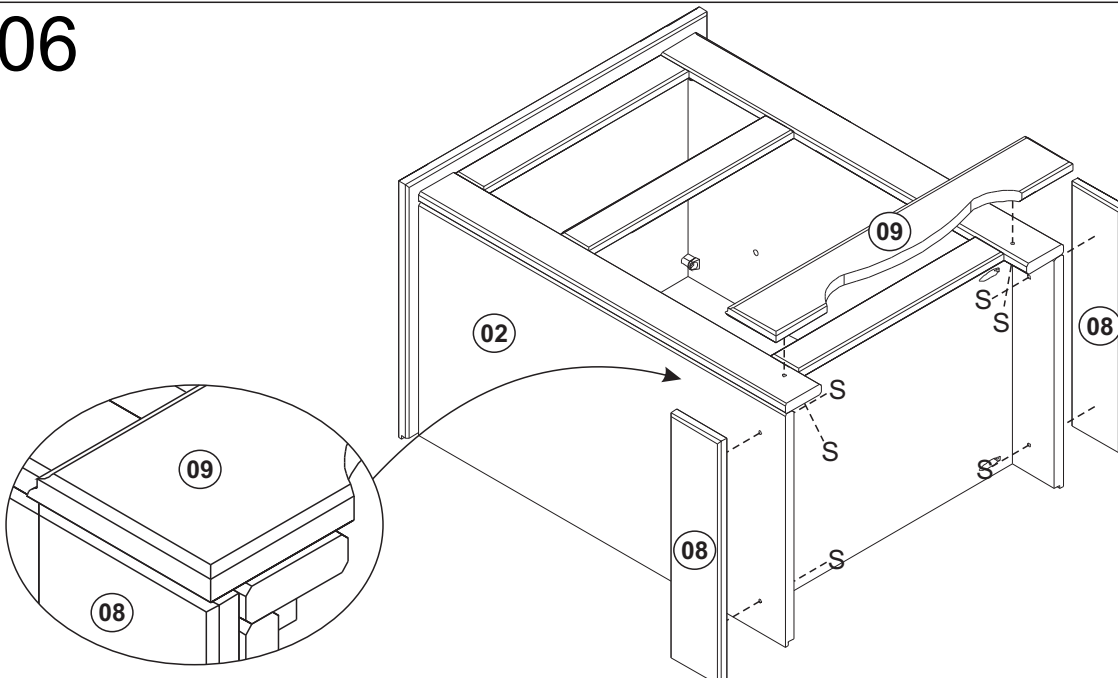
04



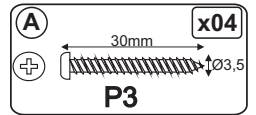
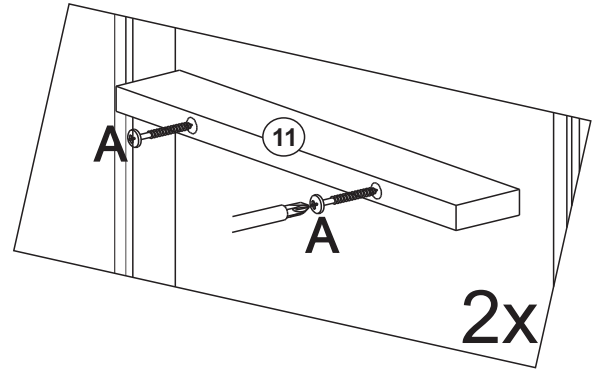
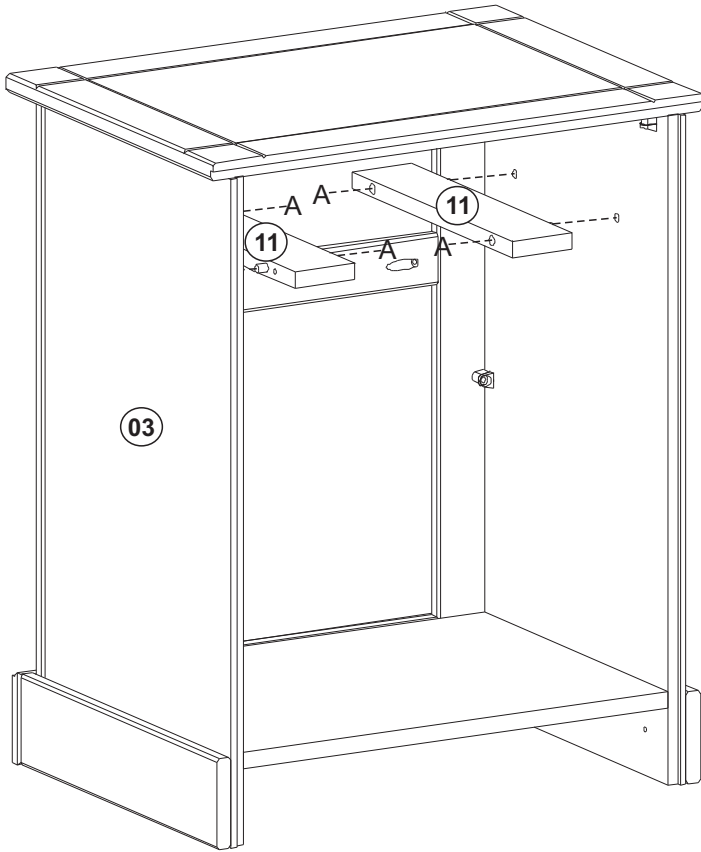
05



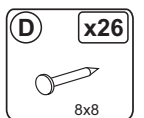
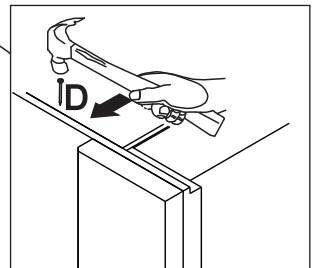
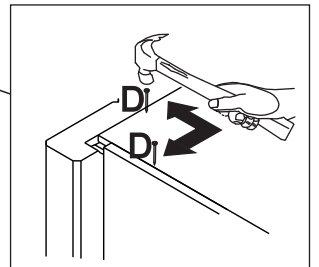
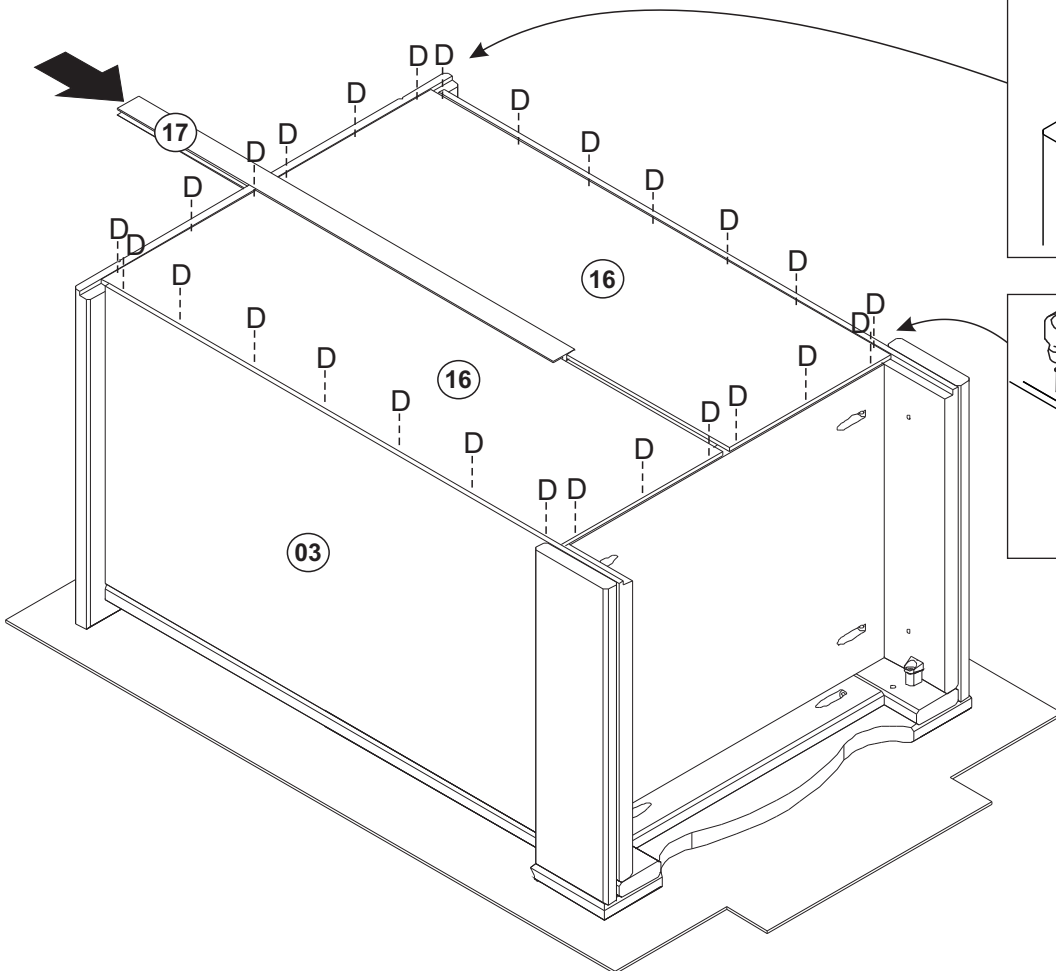
06



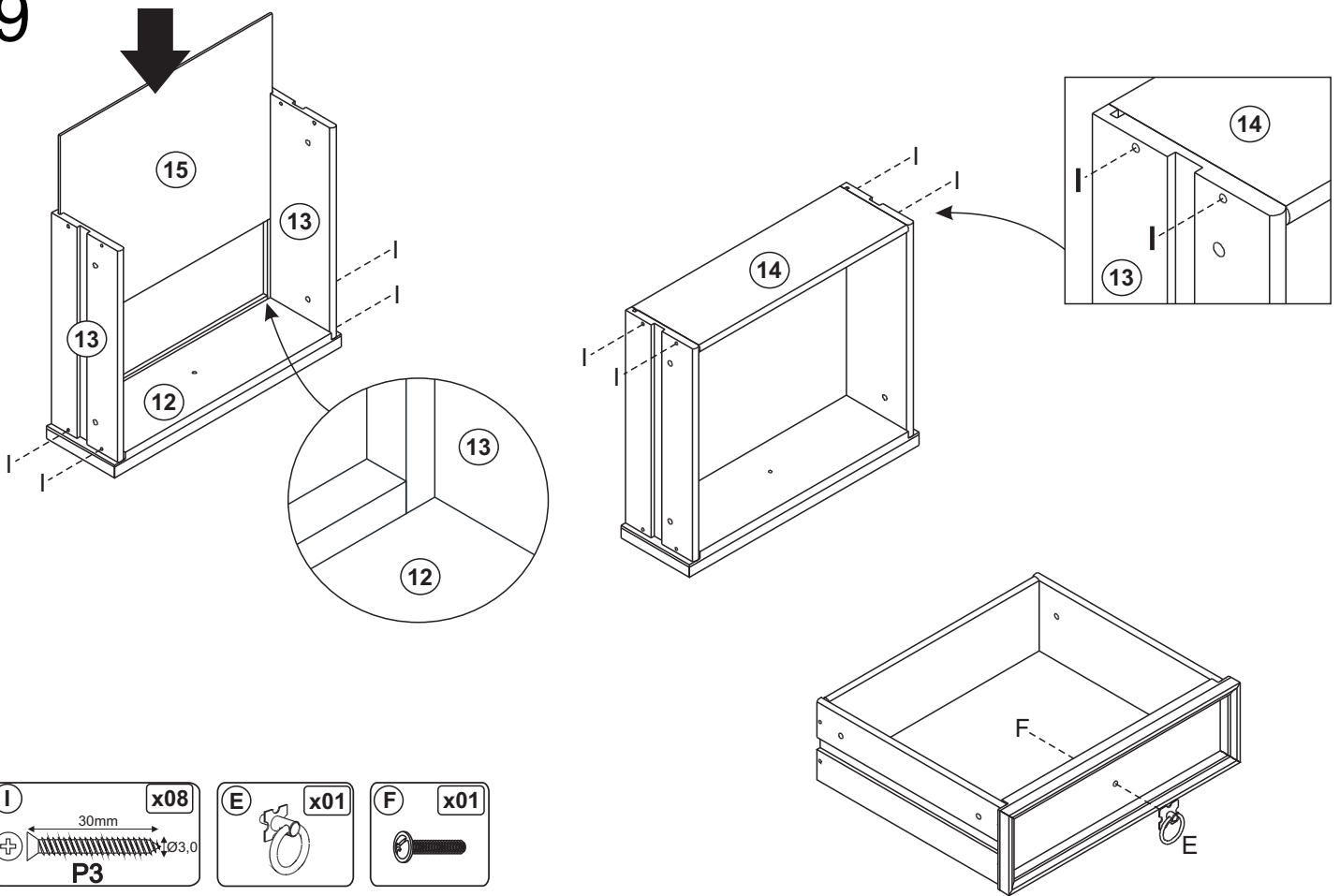
07



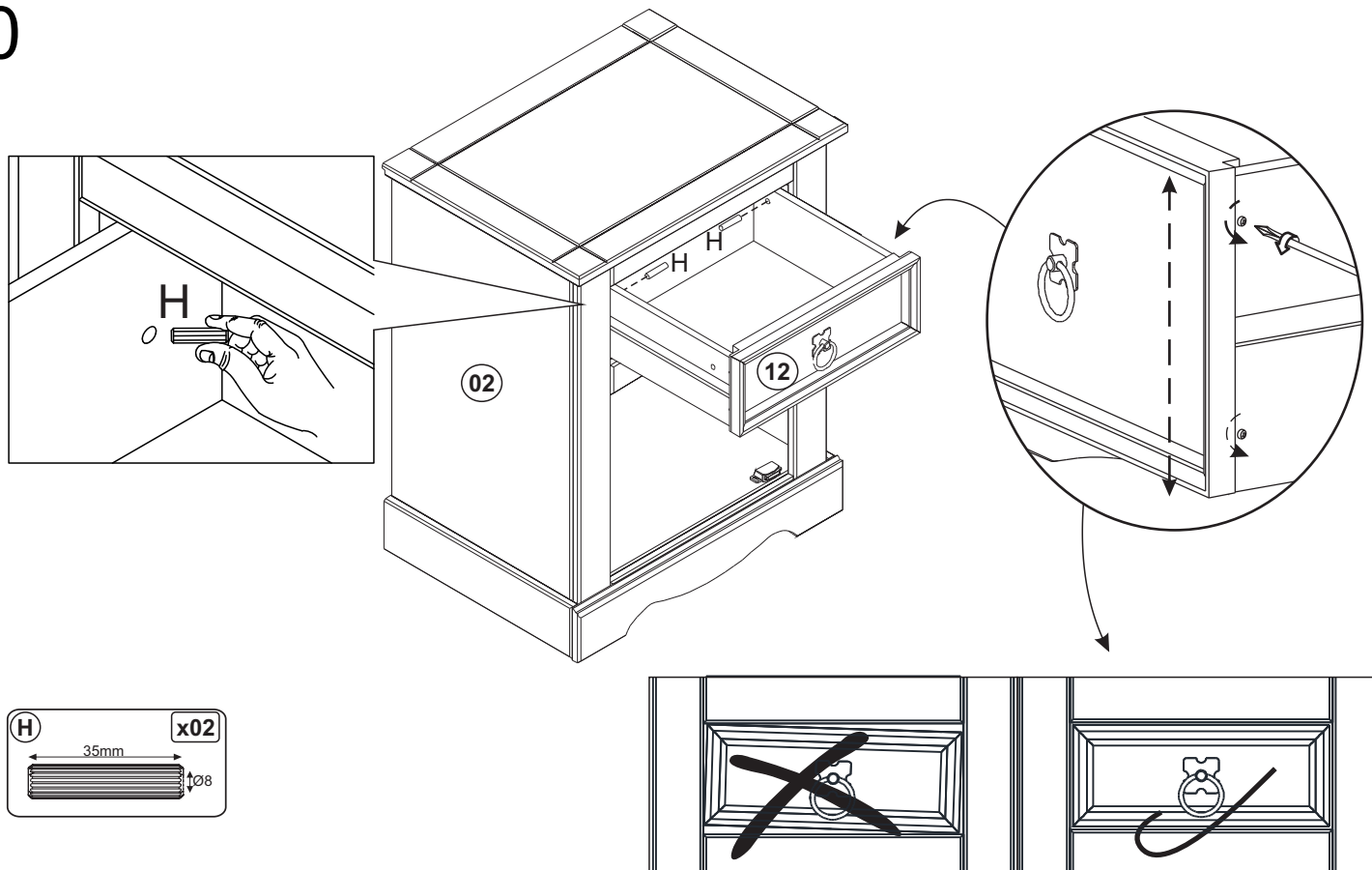
08



09



10

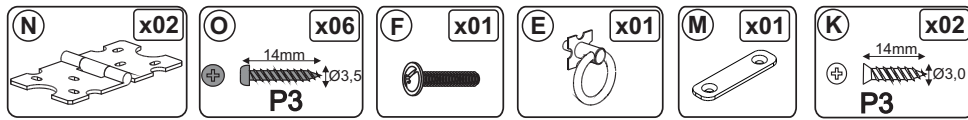
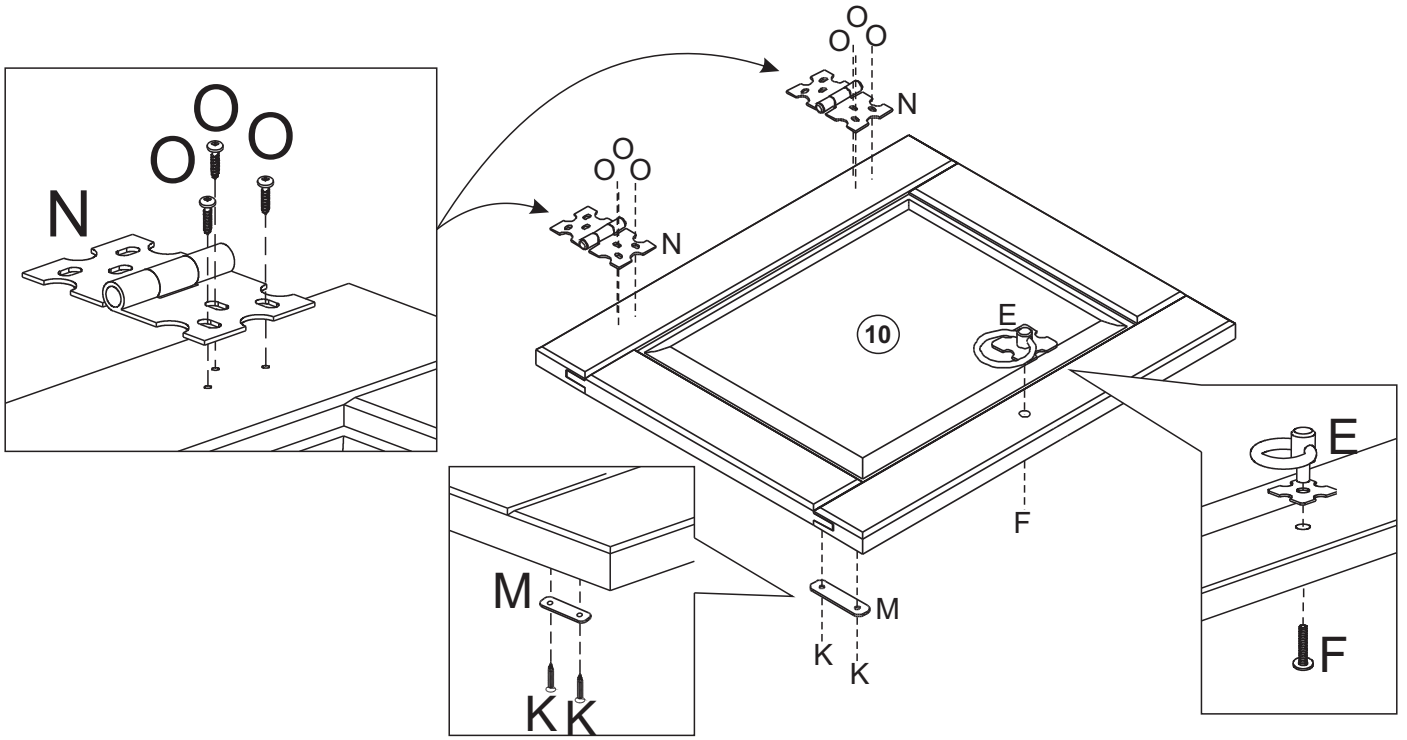


## IMPORTANCE NOTICE

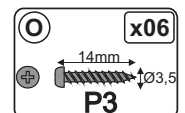
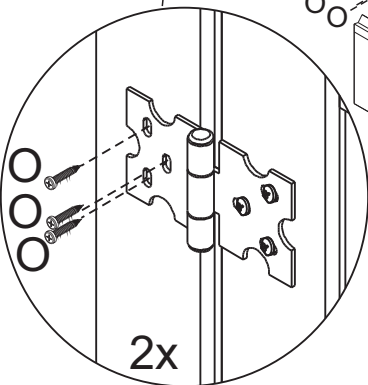
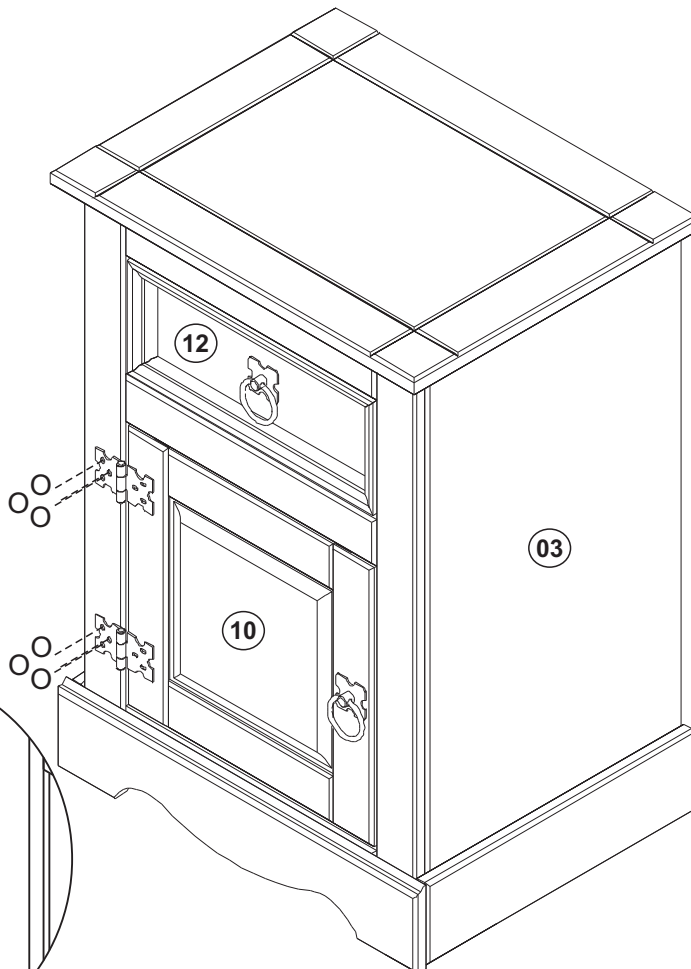
Please avoid opening all drawers/doors simultaneously as this could cause your furniture to fall forwards.

Make sure to secure this piece of furniture to the wall by using fittings below supplied for this purpose.

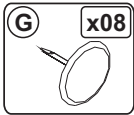
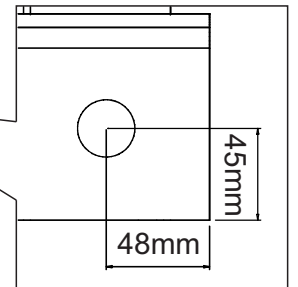
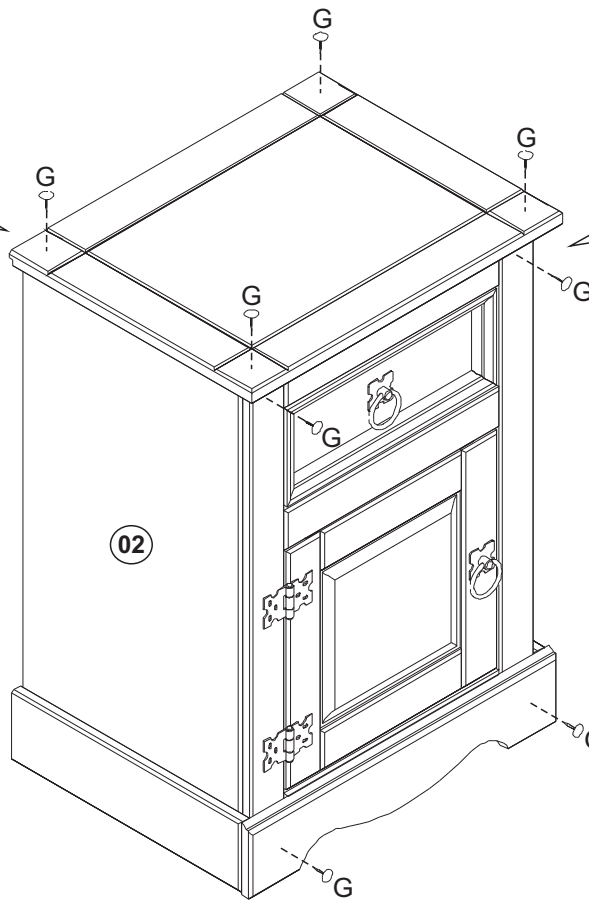
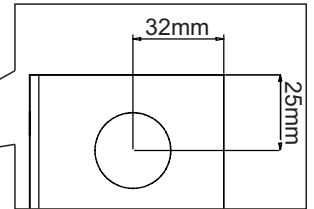
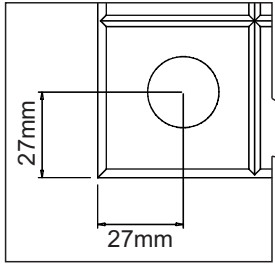
# 11



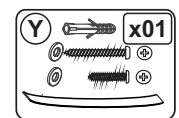
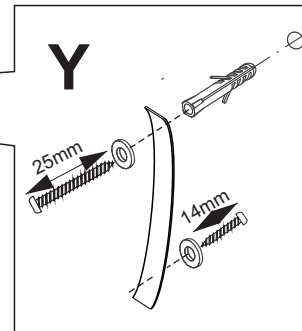
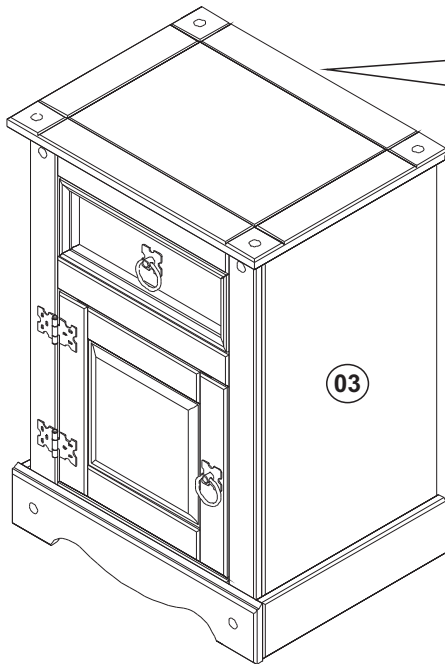
# 12



# 13



# 14



**WARNING: CHECK FOR HIDDEN PIPES AND CABLES BEFORE DRILLING.**

**IMPORTANT: IF YOUR WALLS ARE NOT SOLID LIKE BRICK OR STONE, YOU WILL REQUIRE SPECIALIST FITTINGS (NOT SUPPLIED).**

- Place fixing strip against the wall and mark position for drilling hole.
- Drill hole in your wall to a depth of 30mm using a 6mm drill bit. If the surface of your wall is soft and crumbly, we would advise you to use a 5mm drill bit for a tighter fit.
- Insert plug into hole with end flush to the wall surface.
- Attach fixing strip to the wall using the 25mm screw + washer and securely tighten.
- Pre-drill small pilot hole on the back edge of the furniture top using a 2mm drill bit. Attach the other end of fixing strip to the back edge of the furniture top using the 14mm screw + washer and securely tighten.