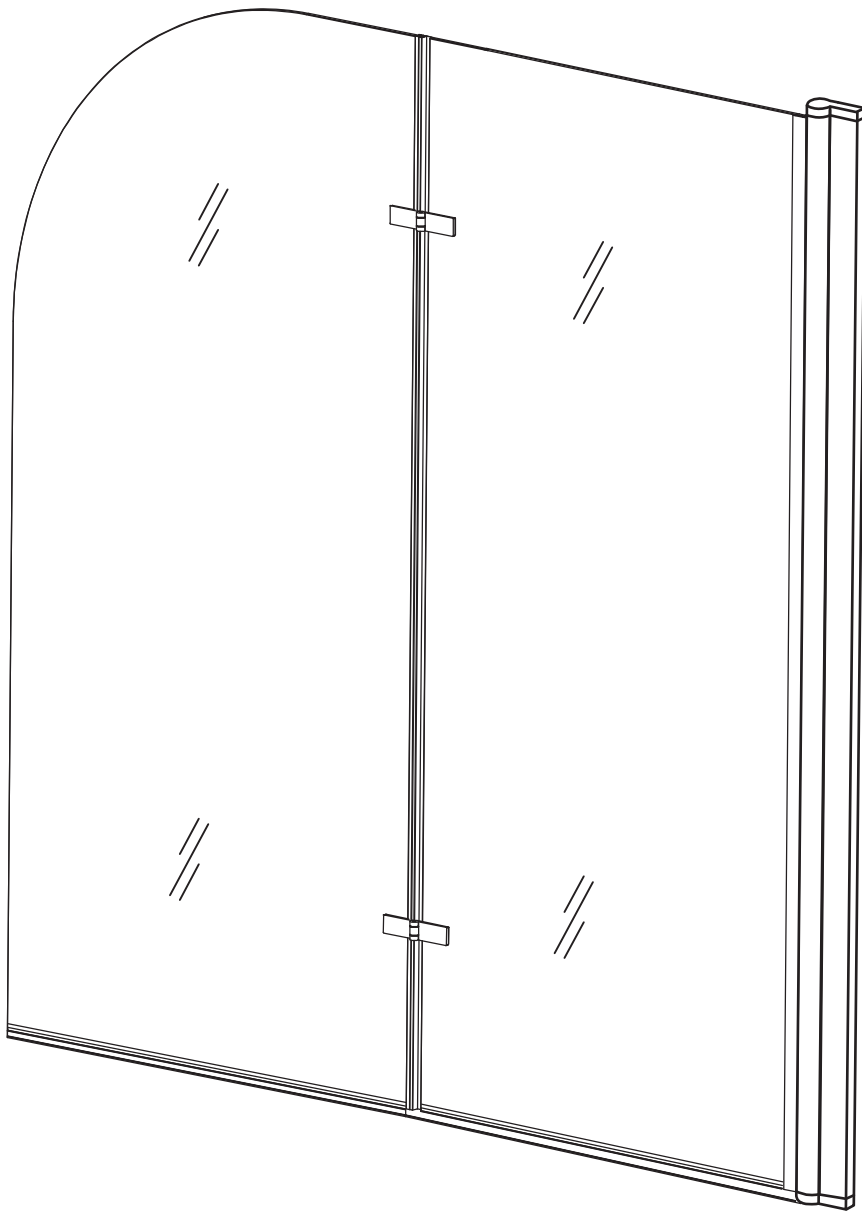


# INSTALLATION GUIDE

T4858-A-MB / T4858-A-CH



## Return&Customer Service

Please contact our customer service to confirm the return steps before returning or get any replacement.



[lawrencevilly@126.com](mailto:lawrencevilly@126.com)



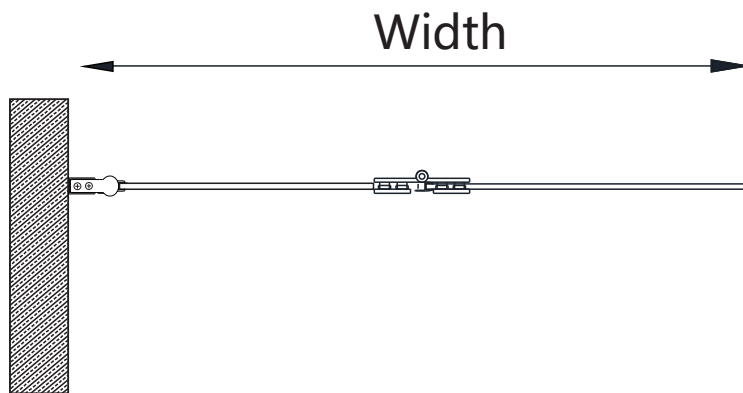
626 494 0715 / 626 679 3588

---

### \*\*\*\*\*IMPORTANT NOTICE\*\*\*\*\*

- We will guarantee all customer benefit. The products we ship out are brand new. Please check carefully before installation, compare all parts with the parts listed in the package contents section. If any part appears missing or damaged, do not install.  
Contact customer service by E-mail: [lawrencevilly@126.com](mailto:lawrencevilly@126.com)
- Send us the pictures or video, we promise will response to you with **48** hours. We will decide send you spare parts or deliver a replacement by free.

## Product Dimension



Model	Size	Width		Height
		Min.	Max.	
T4858-A-MB	48"	47 <sup>13</sup> / <sub>16</sub> "	48"	58"
T4858-A-CH	48"	47 <sup>13</sup> / <sub>16</sub> "	48"	58"

## Product Instruction Video

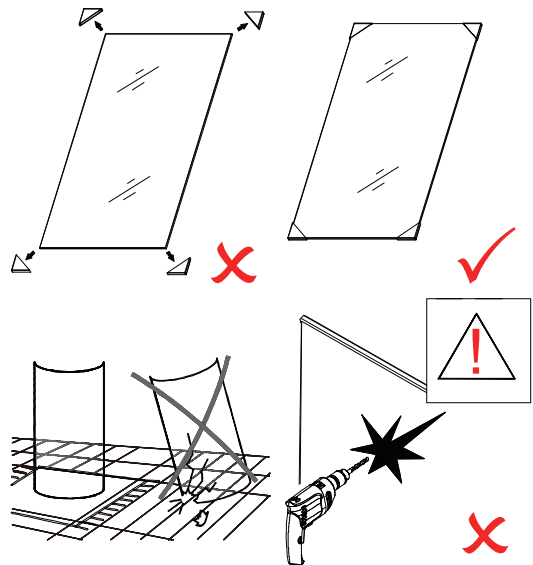
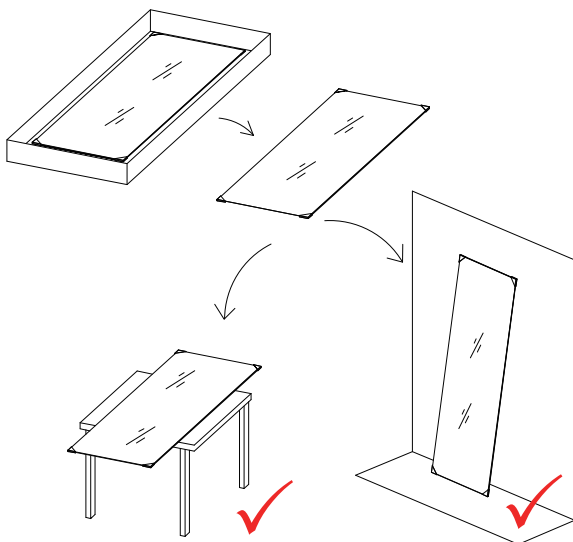
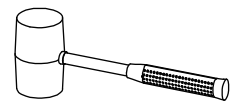
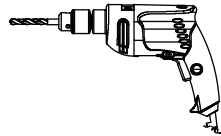
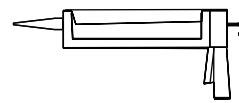
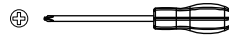
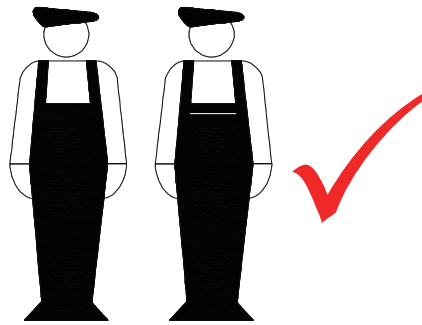
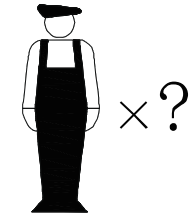


# Pre-installation Tool

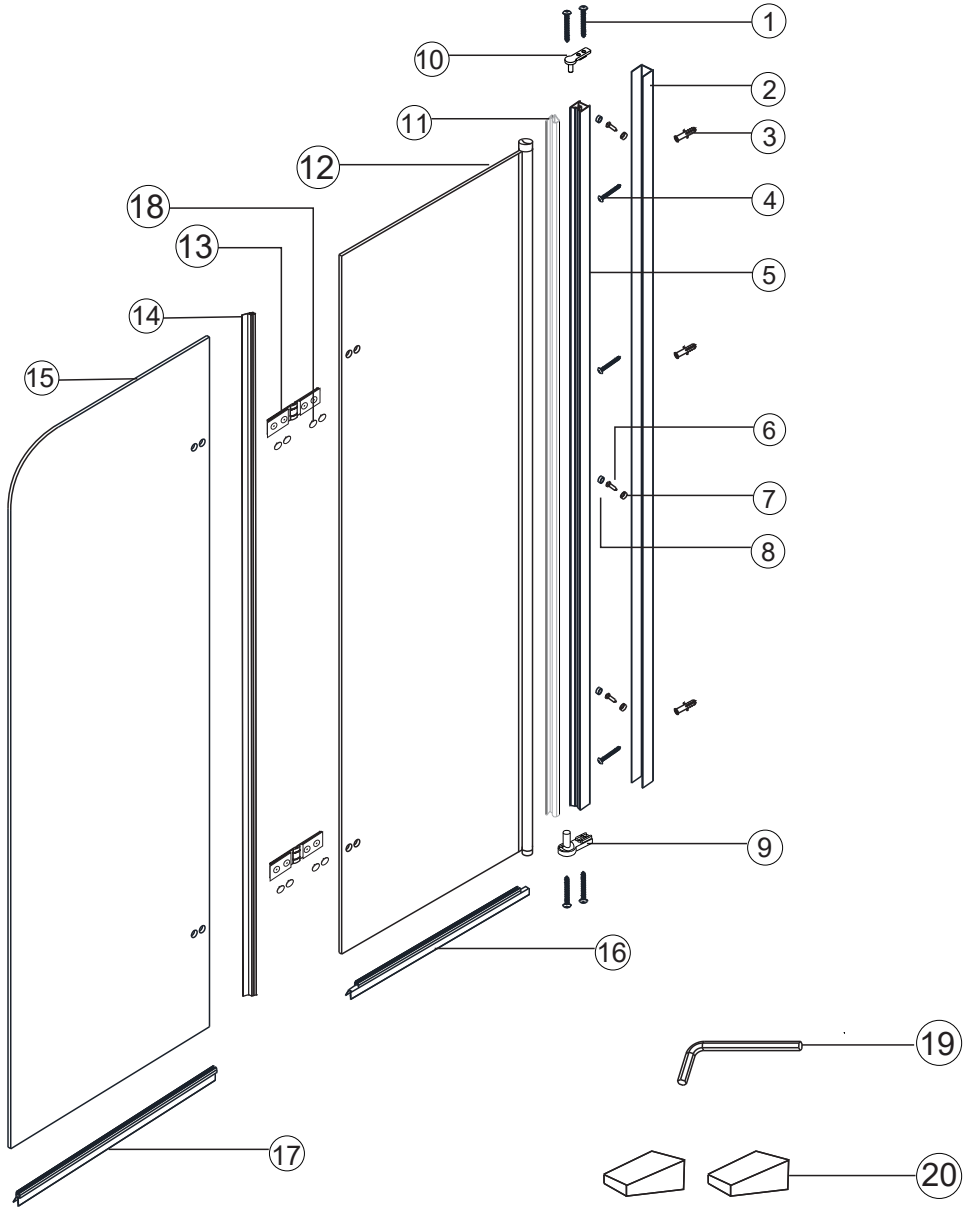





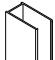



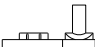
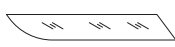



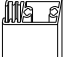



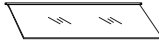

## IMPORTANT

Please read and follow all warnings and instructions before using this product. Improper use may cause injury. Keep well this guide for long use.

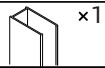
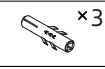
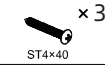


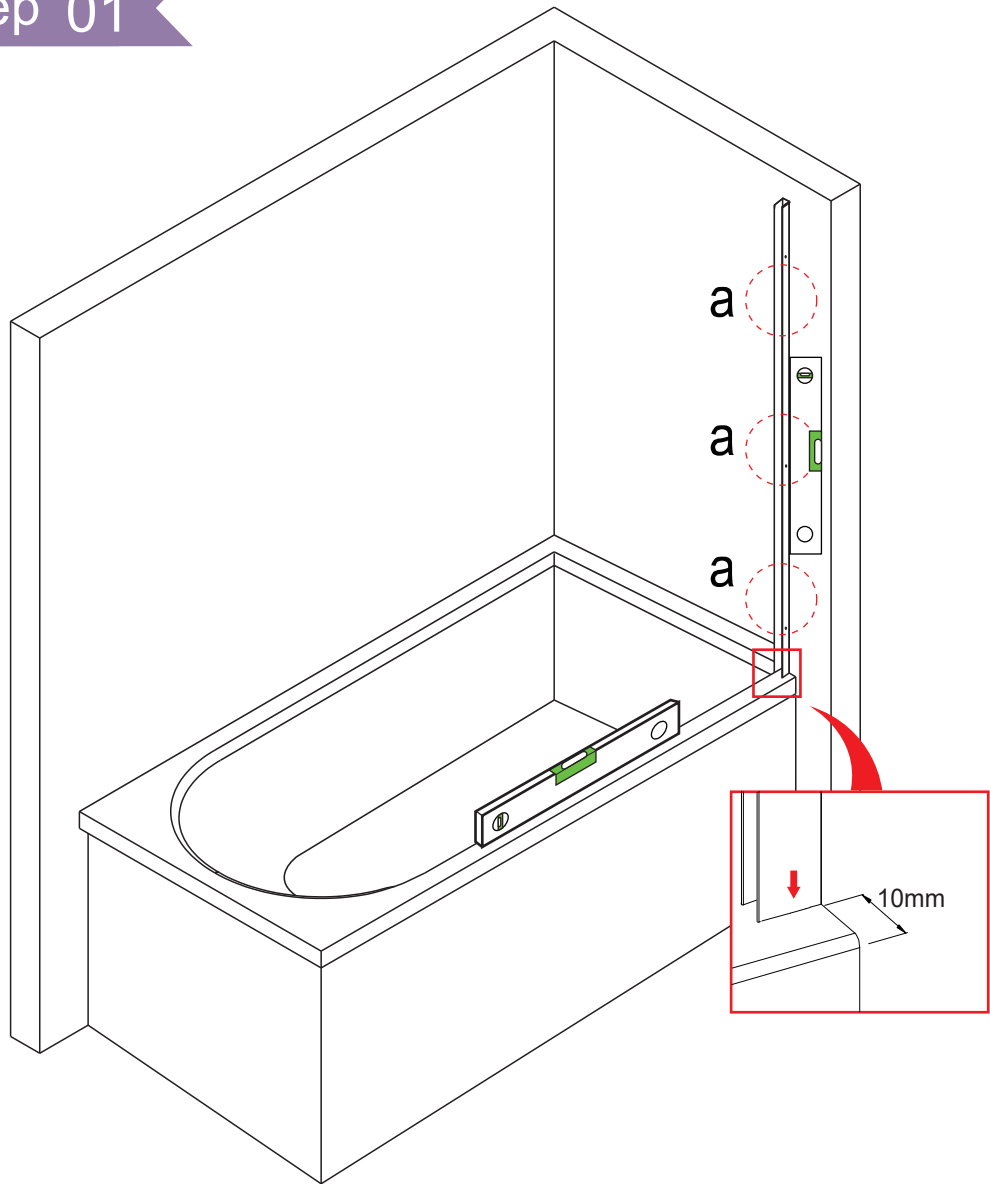
# Assembly Details



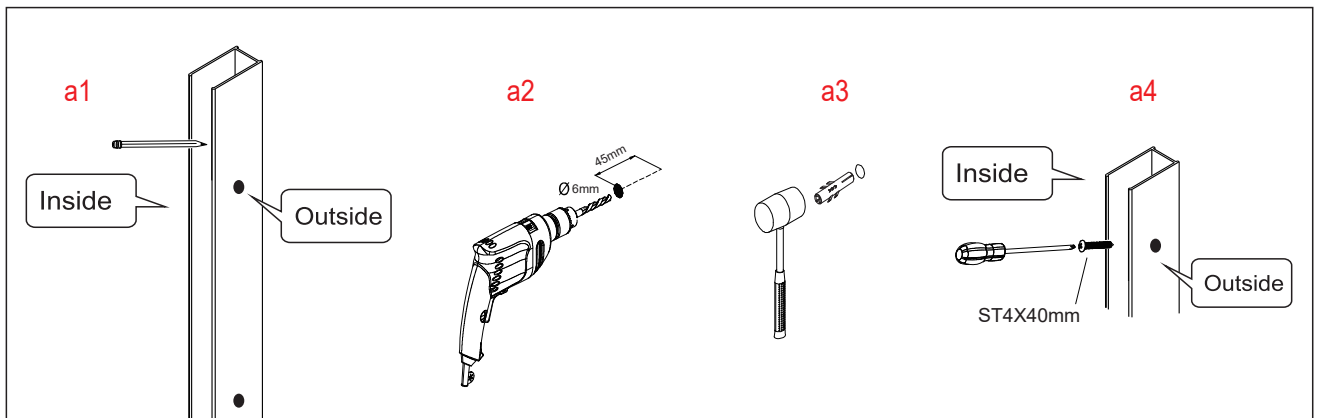
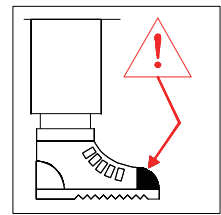
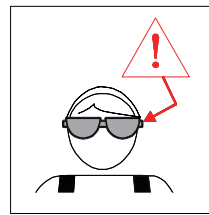
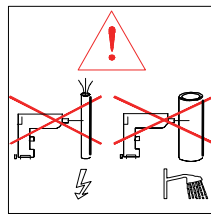
①		× 4	⑦		× 3	⑬		× 2
②		× 1	⑧		× 3	⑭		× 1
③		× 3	⑨		× 1	⑮		× 1
④		× 3	⑩		× 1	⑯		× 1
⑤		× 1	⑪		× 1	⑰		× 1
⑥		× 3	⑫		× 1	⑱		× 8

# Installation Step 01



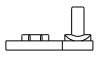
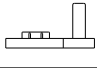
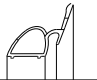
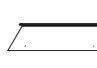
- 2  x1
- 3  x3
- 4  x3  
ST4x40

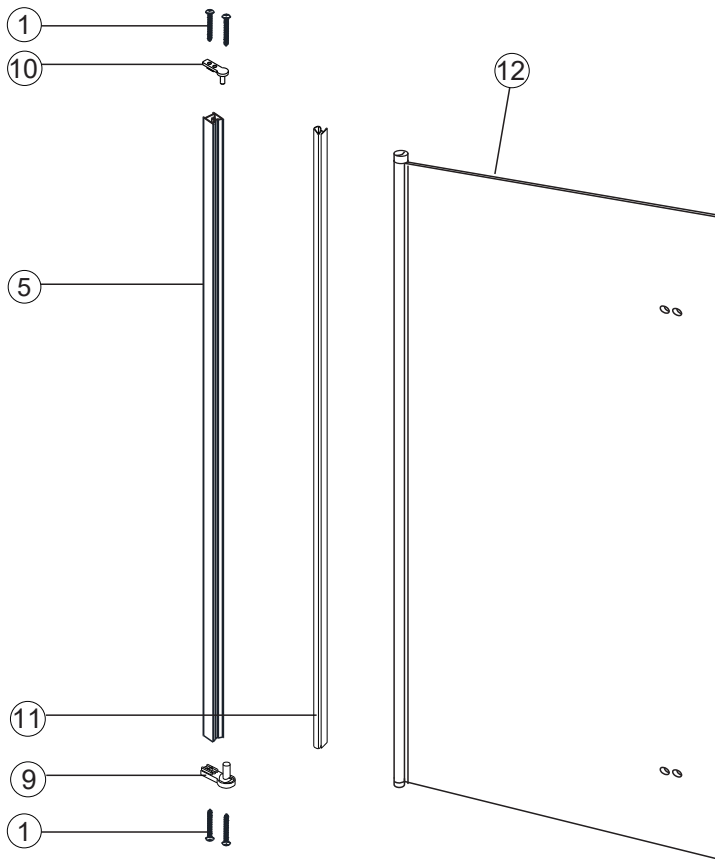


● Inspect the level of your bathtub and wall before installation.

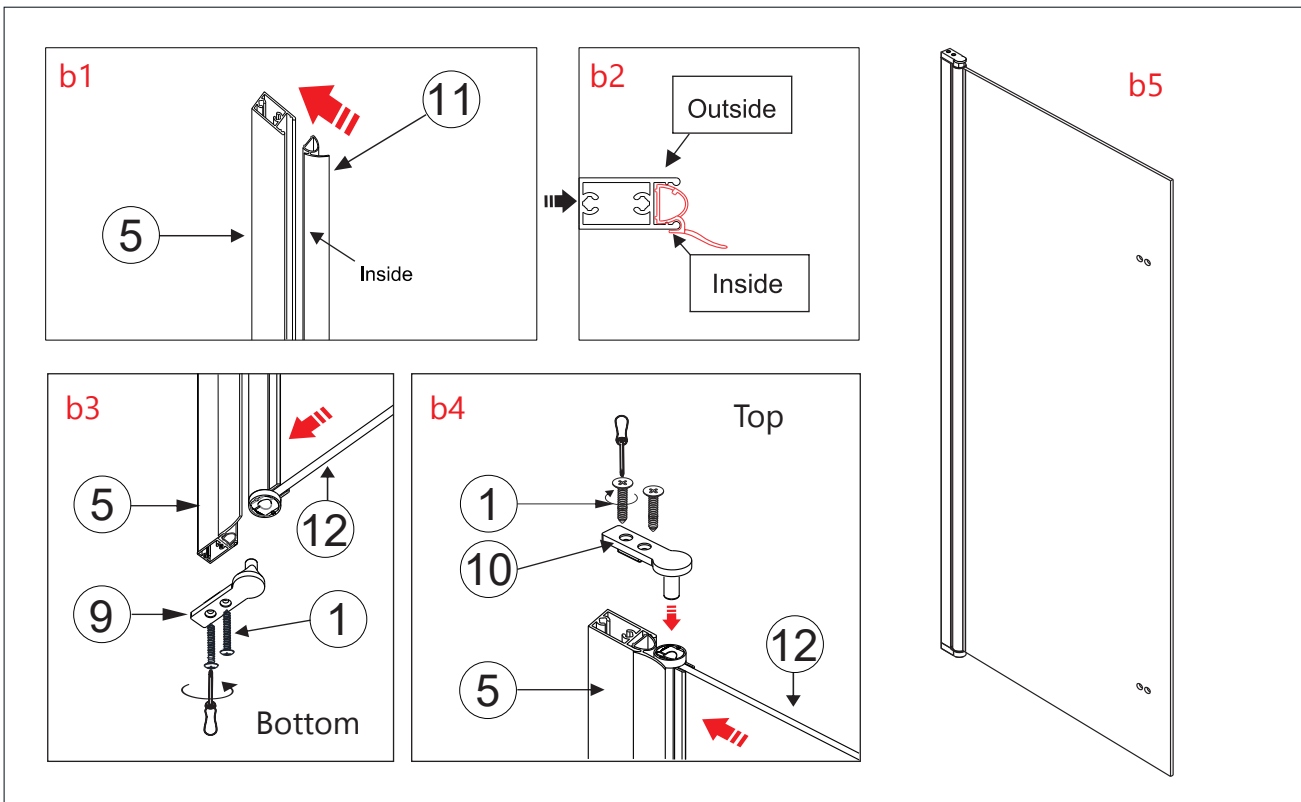


# Installation Step 02




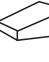
- 1  x4  
ST4\*20
- 5  x1
- 9  x1
- 10  x1
- 11  1
- 12  x1

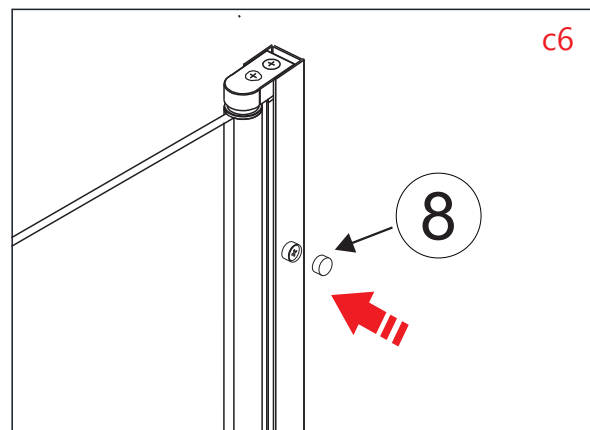
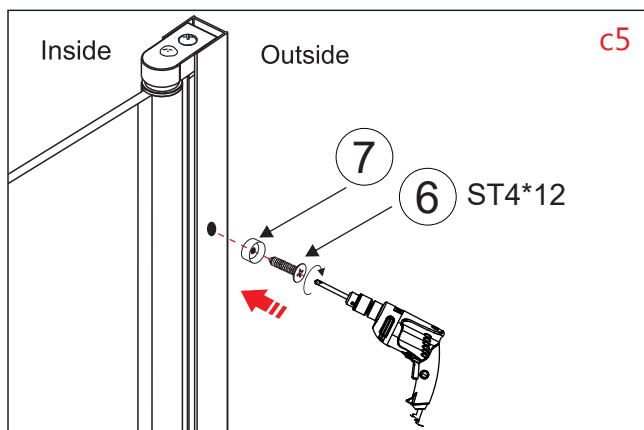
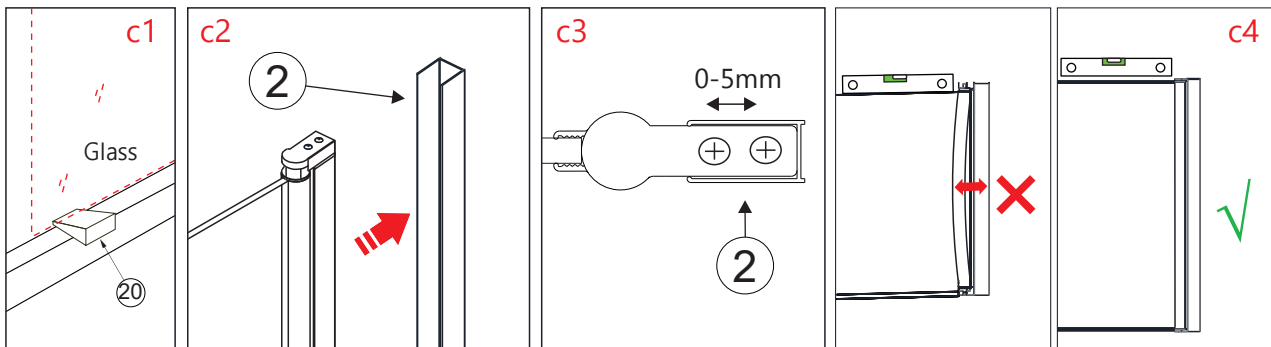
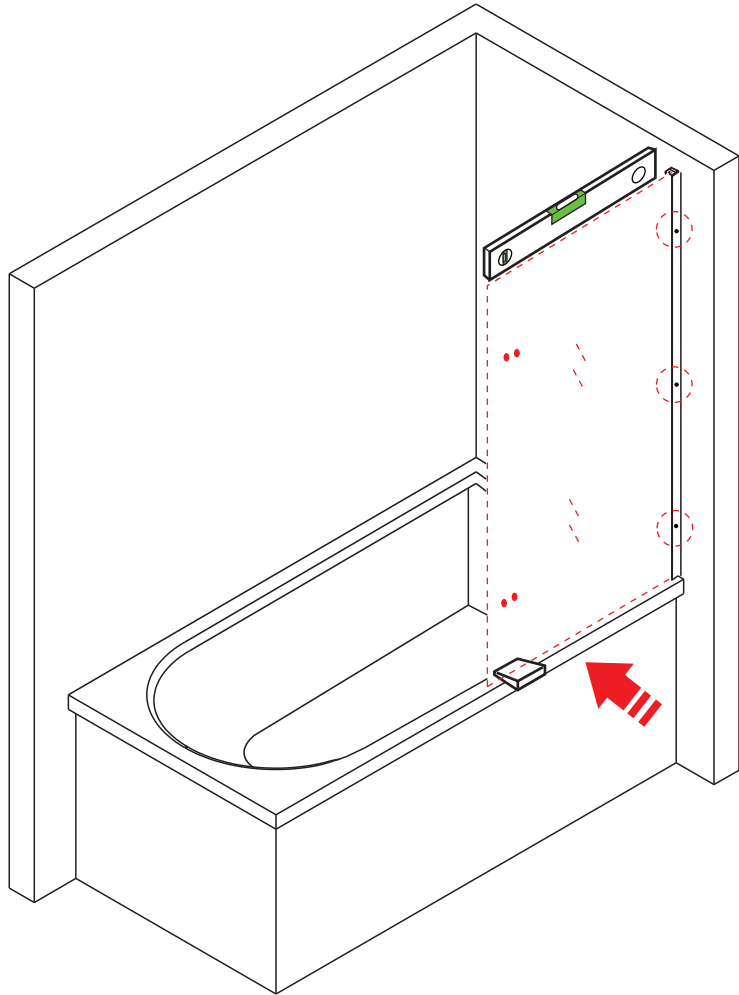


● Notes: part 9 and part 10 are different.



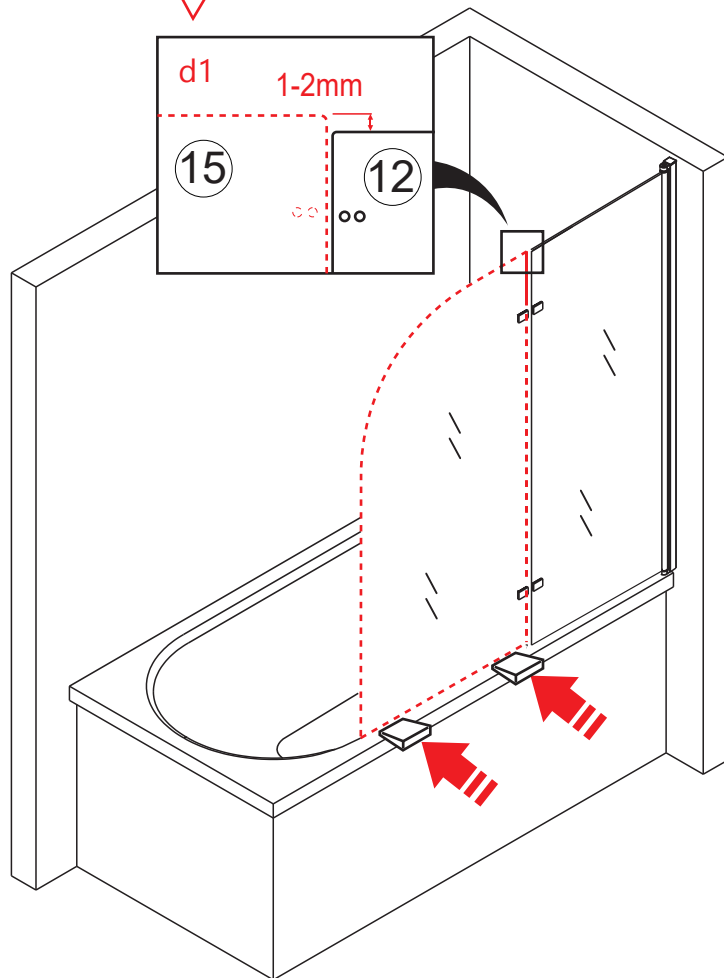
# Installation Step 03

6	 x3 ST4*12
7	 x3
8	 x3
20	 x1

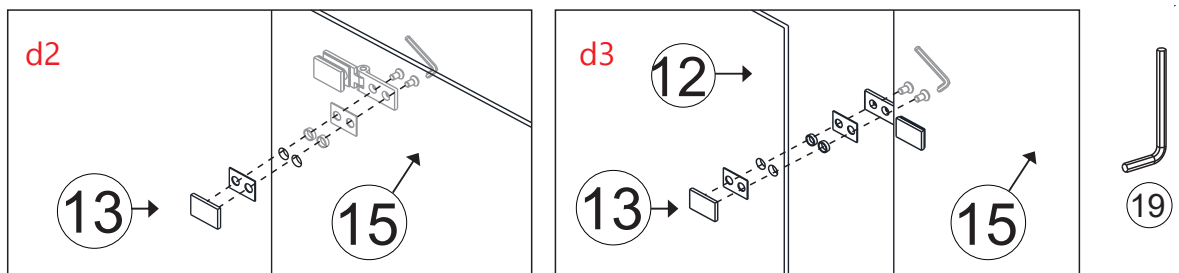
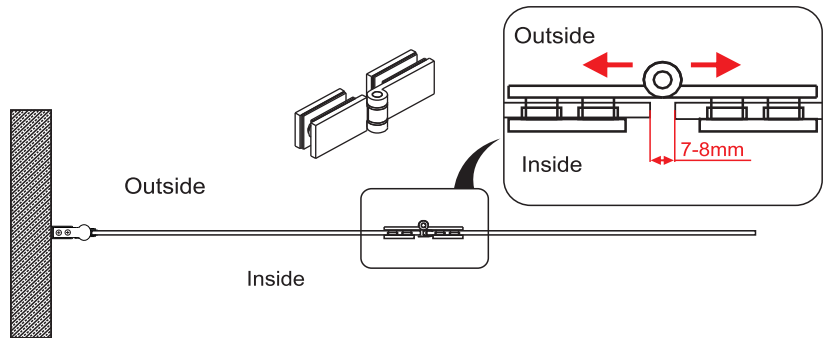


# Installation Step 04

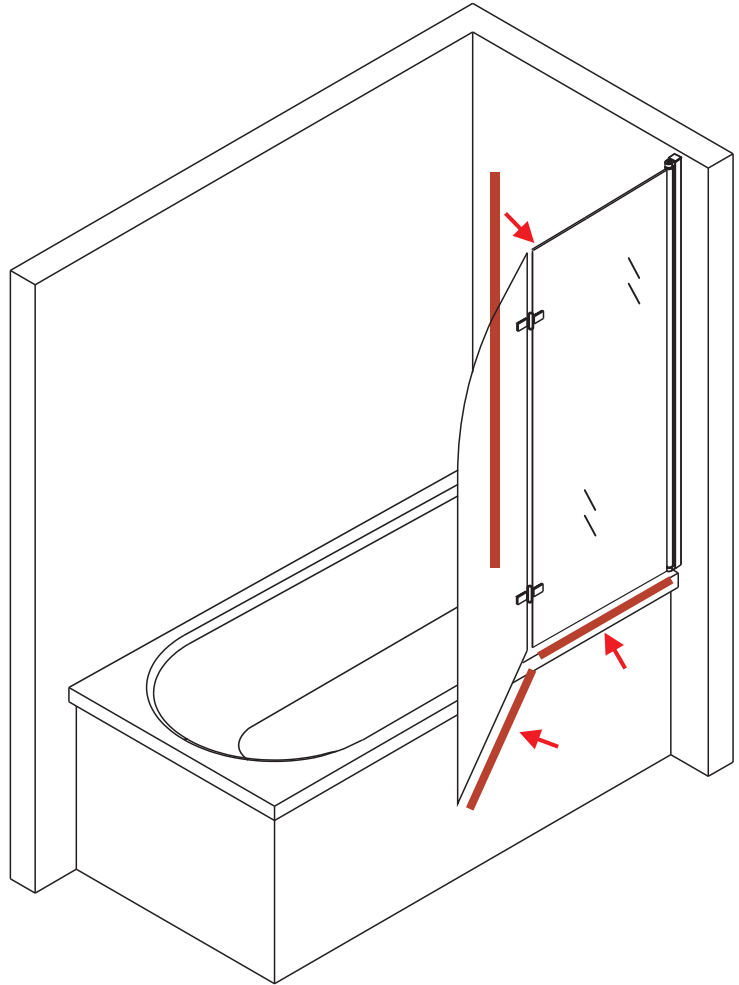
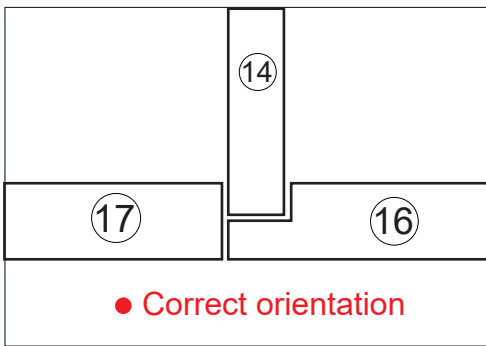
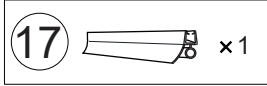
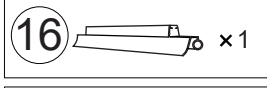
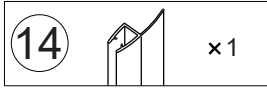
Put the wedges part 20 to support and keep panel part 15 1-2mm higher than panel part 12 to avoid sagging of gravity after the installation.



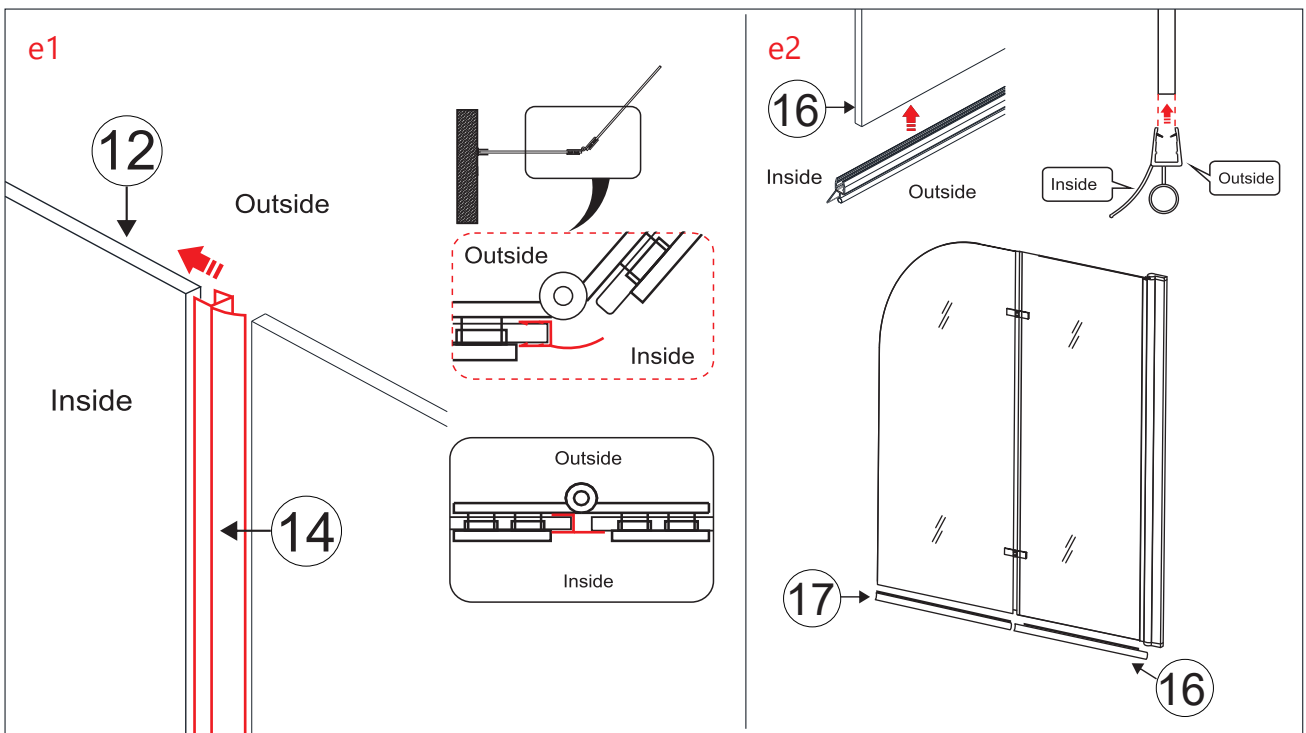
- Keep the gap about 7-8mm between two glass panels.
- Ensure the hinges are oriented appropriately, tighten them to prevent the panel from sagging



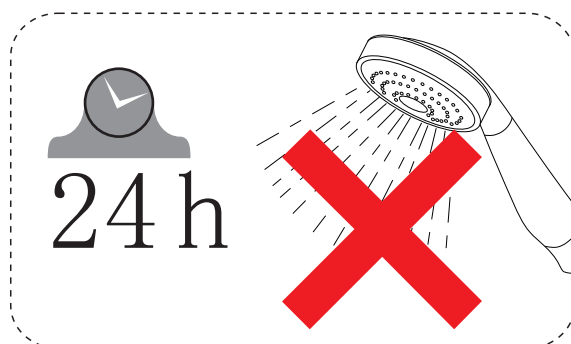
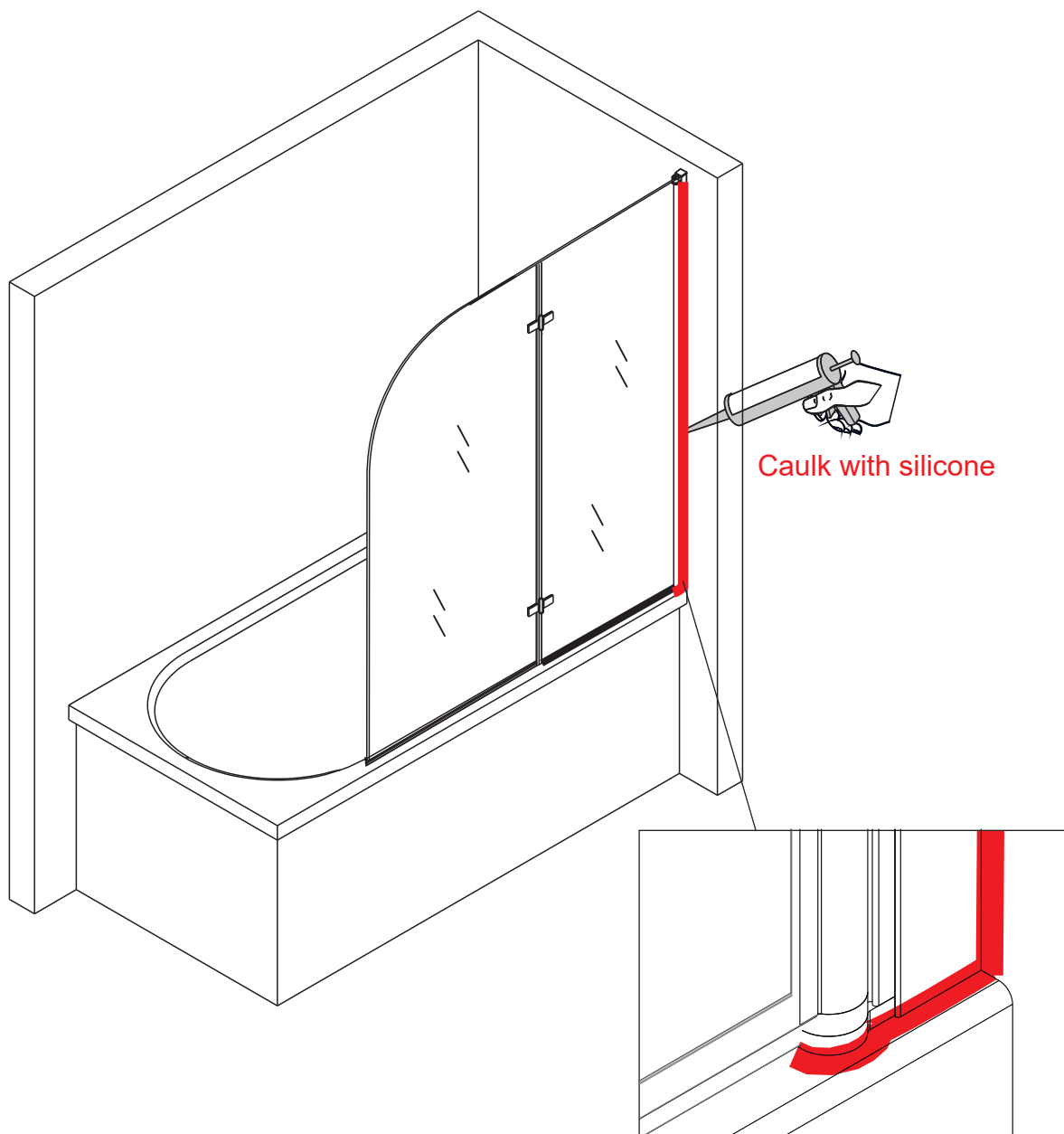
# Installation Step 05



● Ensure the side and bottom strips are oriented appropriately to prevent water leakage.



## Installation Step 06



Do not use the shower enclosure for at least 24 hours in order to ENSURE the silicone sealant to cure fully.

## Shower Door Maintenance And Care

1、 Shower door glass is double-sided easy-clean glass. Using moist soft cloth to wipe away surface water or stains For daily cleaning , reduce to use the cleaning agents to extend the easy-clean performance. Recommend to use soft cloth to clean the residual water stains on the glass and hardware after shower. Silicone squeegee is available.

2、 Do not use any sharp cleaning tools or cleaning agents with abrasive ingredients to clean the glass.

3、 Caustic cleaners should not be used, such as alcohol. Long-term use of corrosive cleaners will cause discoloration of the hardware.Reducing the use of cleaners will prolong the use of the hardware&glass appearance. You can use small amount of anhydrous ethanol or detergent to clean stubborn water stains or calculus on the hardware.

