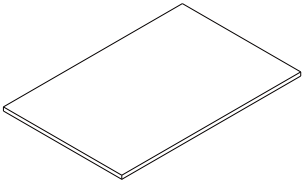
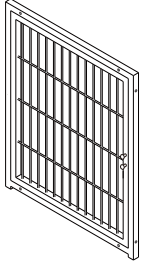
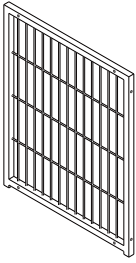
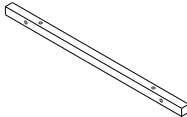
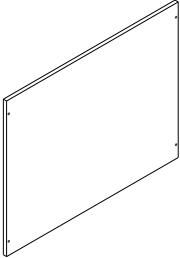
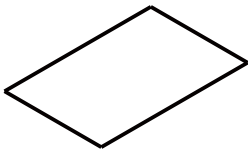
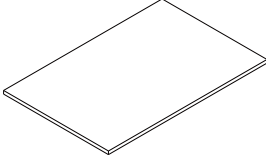
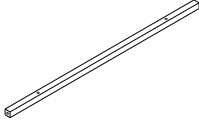
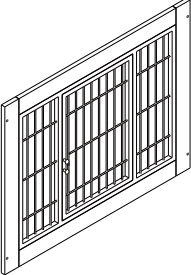



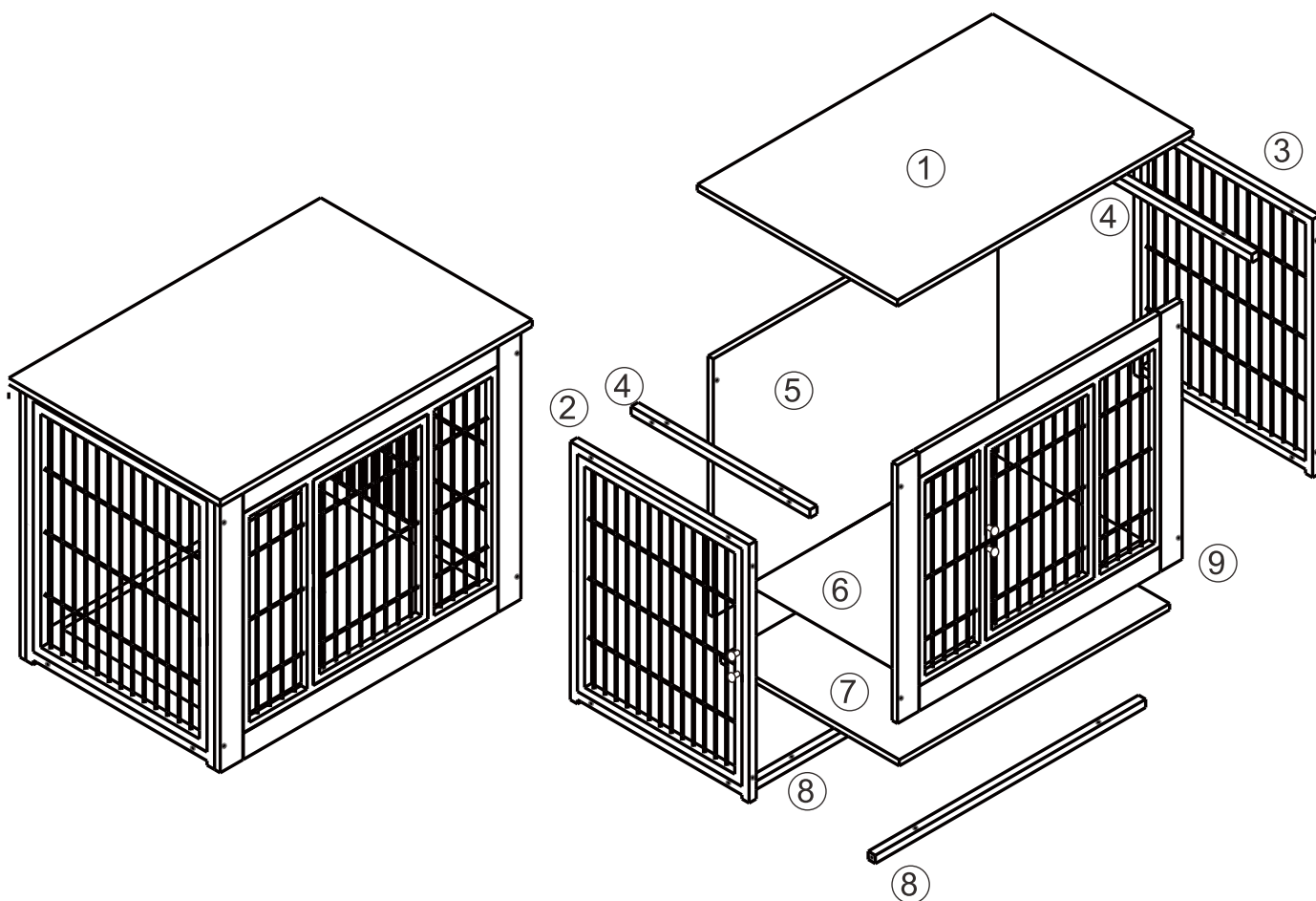


DOG CRATE

PARTS

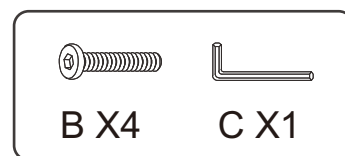
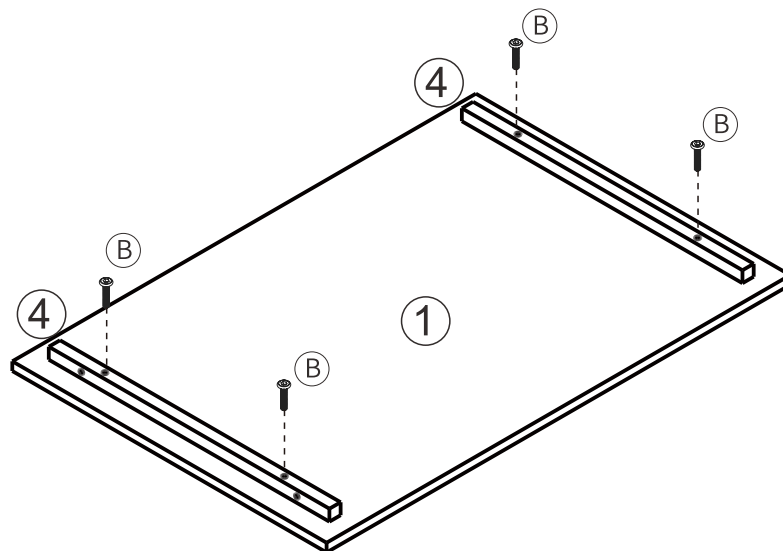


 ① x1	 ② x1	 ③ x1	 ④ x2
 ⑤ x1	 ⑥ x1	 ⑦ x1	 ⑧ x2
 ⑨ x1	 A x4	 M6*25mm B x24+1	 S4 C x1



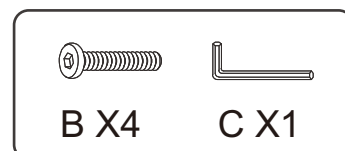
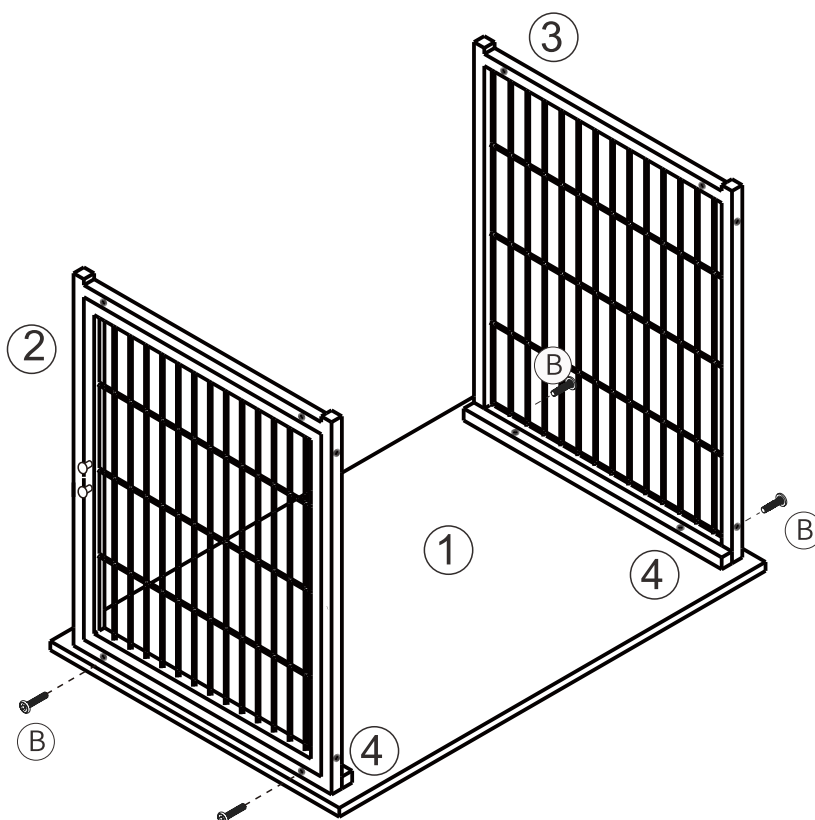


STEP 1



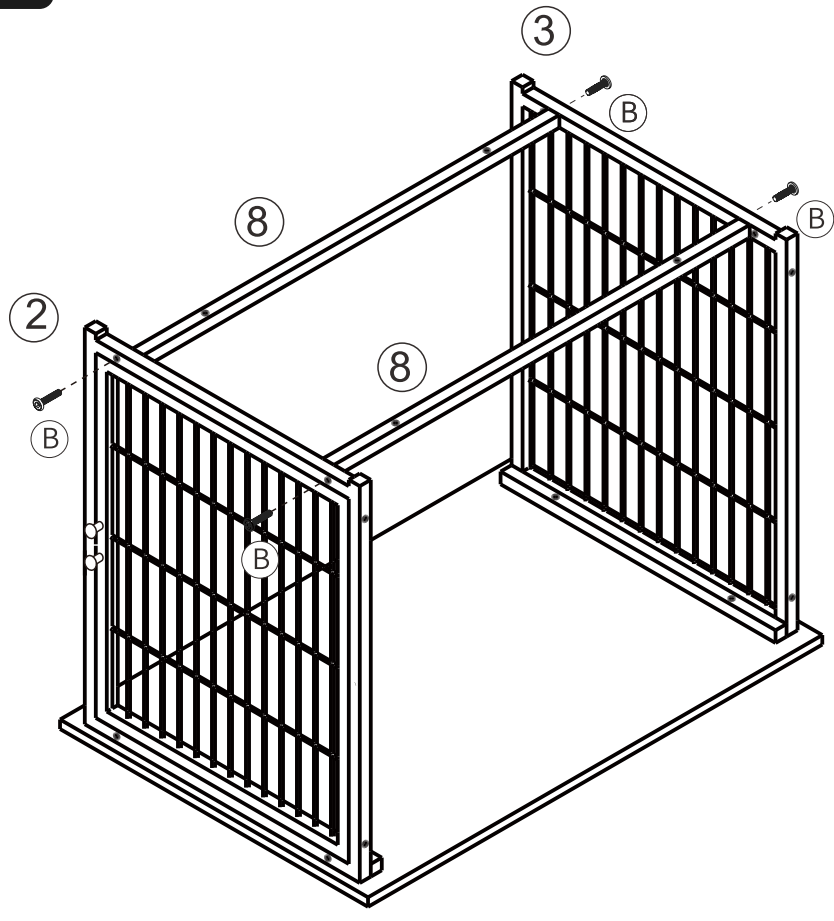
STEP 2



② and ③ can be swapped with each other



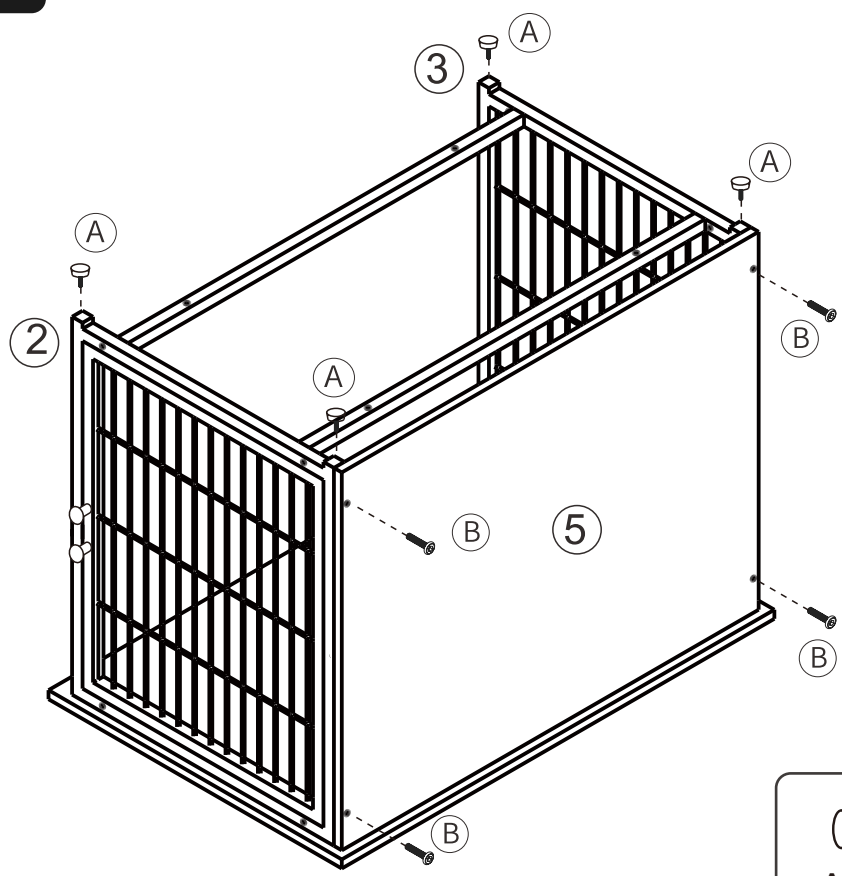





STEP 3



	
B X4	C X1

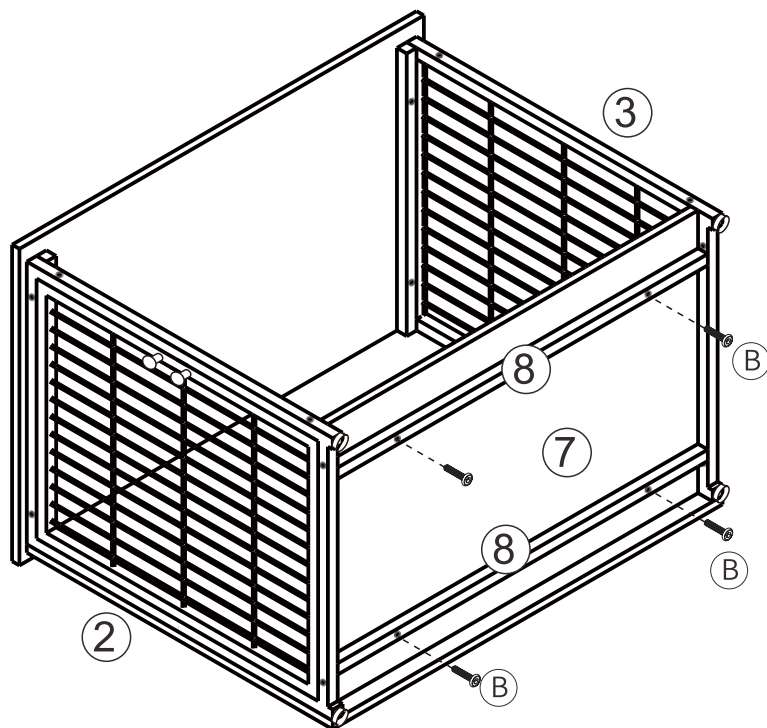
STEP 4





		
A X4	B X4	C X1

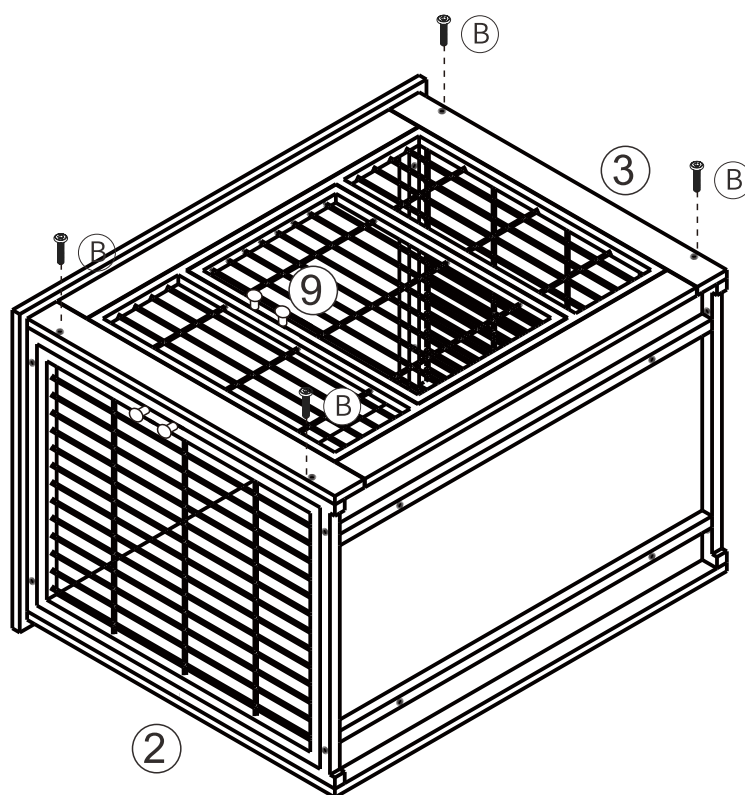




STEP 5



	
B X4	C X1

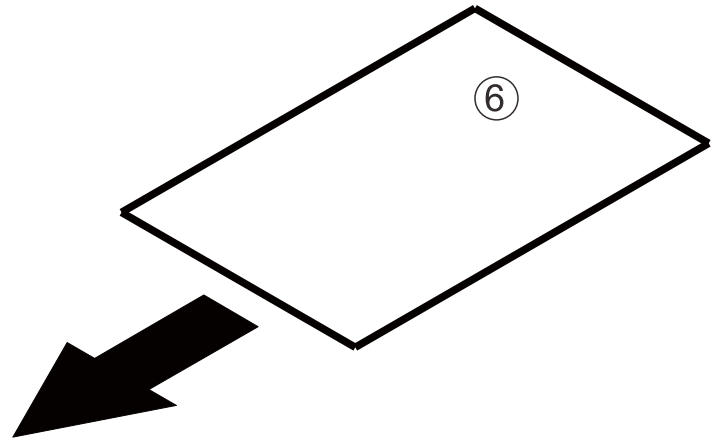
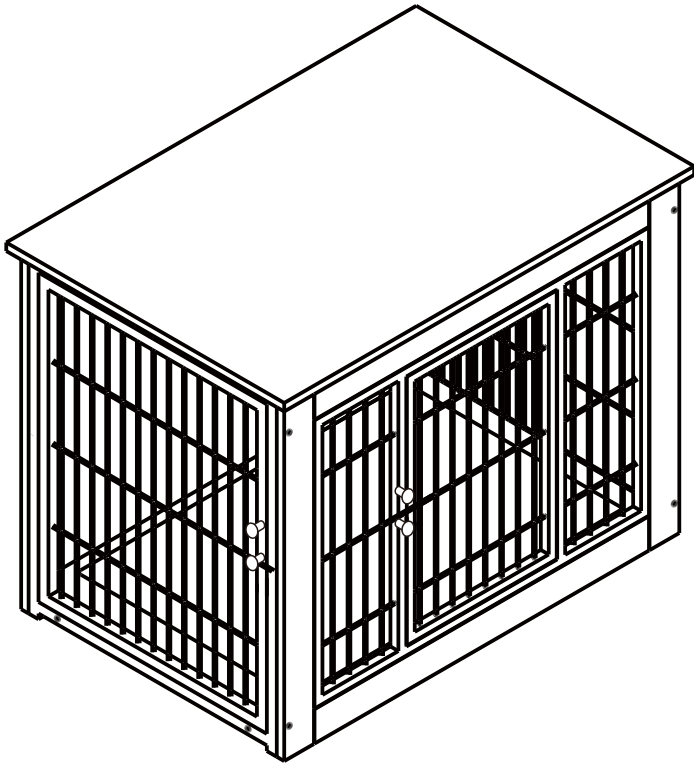
STEP 6



	
B X4	C X1



STEP 7



STEP 8

