

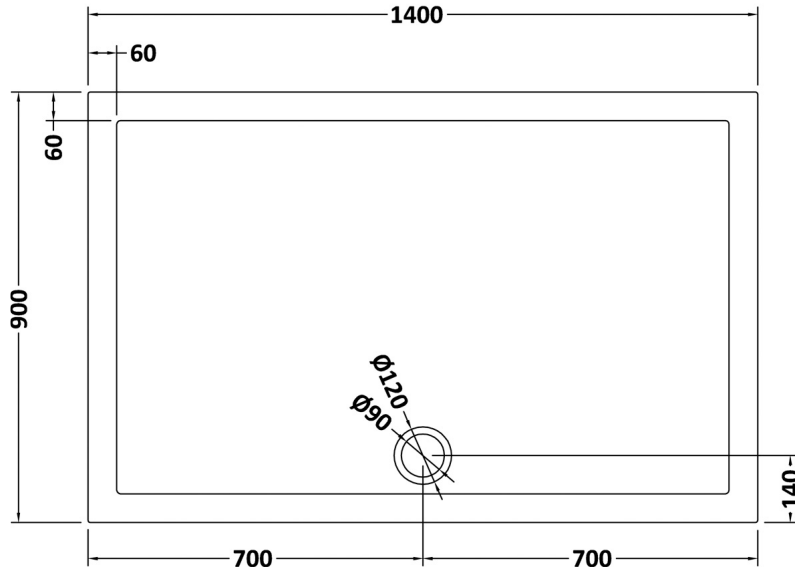
CUSTOMER DATA SHEET - SHOWER TRAYS

DESCRIPTION:

Rectangular Tray 1400X900x40



1400 x 900 RECTANGULAR TRAY



| PRODUCT DIMENSIONS | | | |
|--------------------|------------|-------------|-------------|
| Length (mm) | Width (mm) | Height (mm) | Nett Wgt Kg |
| 1400 | 900 | 40 | 31.4 |

| PACKAGING DIMENSIONS | | | |
|----------------------|------------|-------------|--------------|
| Length (mm) | Width (mm) | Height (mm) | Gross Wgt Kg |
| 1400 | 900 | 40 | 31.4 |

| PACKAGING DATA | | | |
|----------------|--------------------------|--------------|-------------|
| Box Colour | Shrinkwrap & Polystyrene | | |
| Box Qty | 1 | Label Colour | White Label |
| Label Size | 100 x 50 | Label Qty | 2 |

| OUTER BOX DIMENSIONS (If Applicable) | | | |
|--------------------------------------|------------|-------------|--------------|
| Length (mm) | Width (mm) | Height (mm) | Gross Wgt Kg |
| | | | |

| PRODUCT DETAILS | |
|---------------------|-------------------------------|
| Country of Origin | United Kingdom |
| Fitting Instruction | Yes |
| Product Material | Acrylic Capped ABS Caco3 & Pu |
| Mat' Colour Ref' | European White |
| Waste Required | |

| | |
|-------------------------|-------|
| CE Certification | Yes |
| Colour/Finish | White |
| Radius | 0 |
| Compatible with Leg Kit | Yes |