




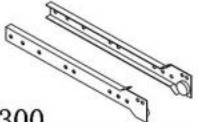
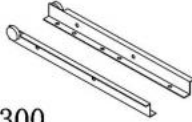









Accessories List

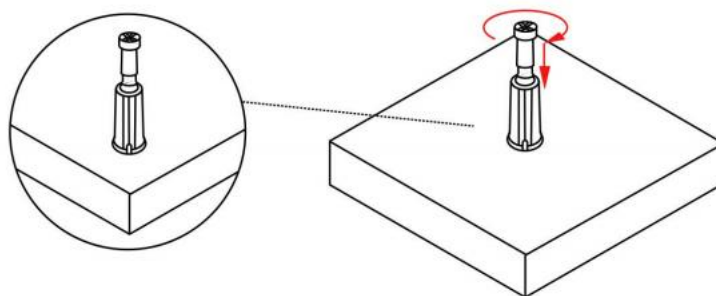
| | | | | | | |
|--|---|--|--|---|--|--|
| A*26  | B*26  | C*42  Ø8*30mm | D*24  Ø3*40mm | E*12  Ø4*12mm | F1*6  300 | F2*6  300 |
| H*40  Ø3.5*14mm | J*1  | K*1  | L*3  159 | M*4  144 | N*2  | O*4  |

General Guidelines

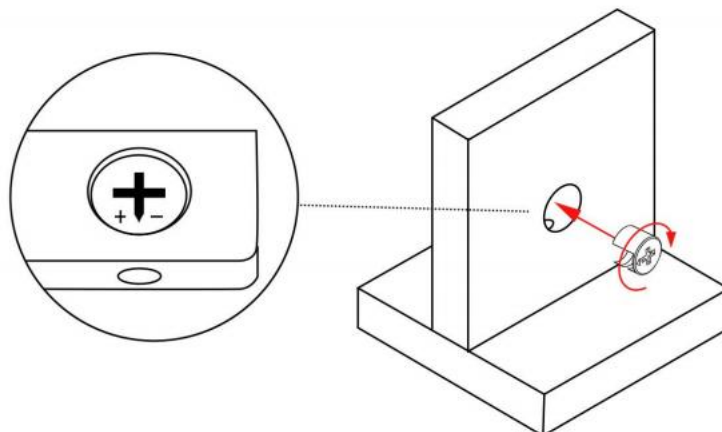
- Carefully read through this entire instruction manual before starting assembly.
- Please keep this manual and hand it over when you transfer the product.
- It is recommended to have two people for assembly to ensure safety and easier handling.
- Do not discard any contents until after assembly is complete to avoid accidentally discarding small parts or hardware.

Assembly Precautions

- Ensure all screws are fully tightened after each step. Loose screws can cause instability and safety risks.



- When inserting cam locks, pay close attention to the correct insertion direction. The arrow or notch on the cam lock should usually face toward the bolt hole or as indicated in the diagram. Only after confirming the cam is correctly seated should you tighten the connecting bolt to lock it.



Assembly Instructions

- Double-check that the screw/bolt position is accurately aligned before drilling or driving.
- Use low speed and appropriate torque to avoid stripping holes or damaging panels.
- When assembling place all parts on a soft, clean, and flat surface such as a carpet to prevent scratches.

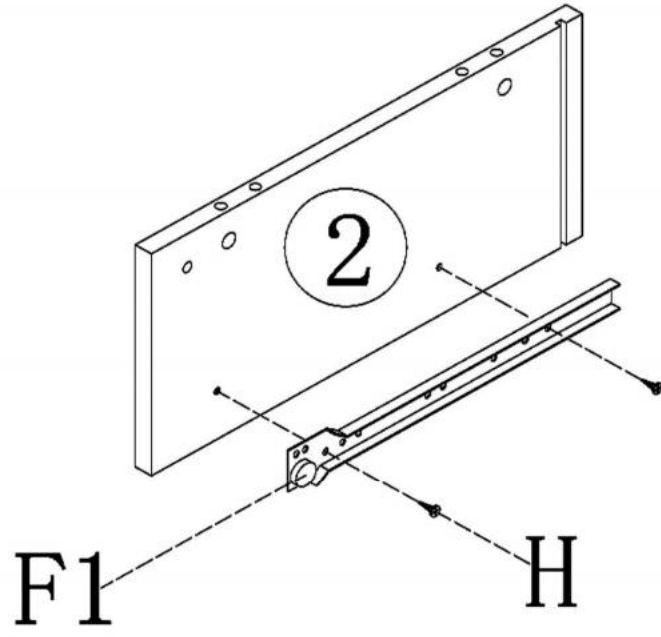
Use and Maintenance

- Do not expose the furniture to direct sunlight for prolonged periods, nor place it near heat sources.
- When placing items on the top surface, distribute weight evenly and place objects gently and smoothly.
- Do not place excessively heavy objects or sharp / pointed items directly on the top panel, as this may cause permanent deformation, indentation, or scratches to the surface.

Important Safety Warnings

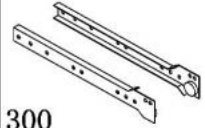
- This product must not be assembled by children. During assembly, keep all small parts (screws, cams, dowels, etc.) out of reach of children to prevent choking or other serious hazards.
- Do not stand, climb, sit, or play on this product. Doing so may cause the cabinet to tip over, resulting in severe personal injury or death.
- Keep the product away from sharp objects and corrosive chemicals to avoid surface damage or personal injury.

1



F1*6

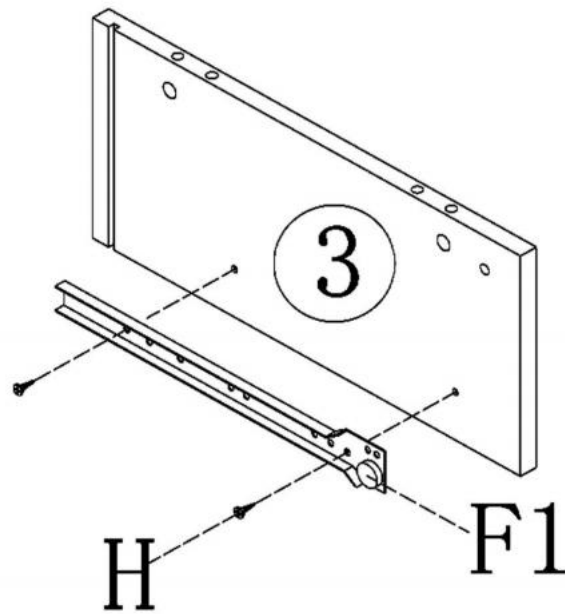
H*40



$\phi 3.5 \times 14$

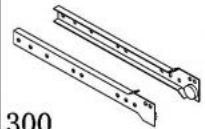


2



F1*6

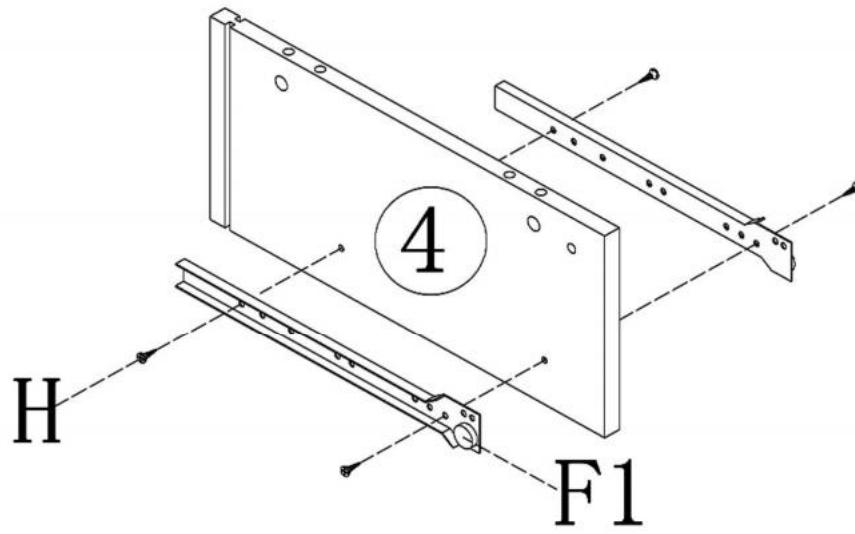
H*40



$\phi 3.5 \times 14$

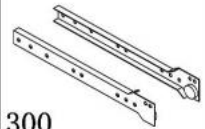


3



F1*6

H*40

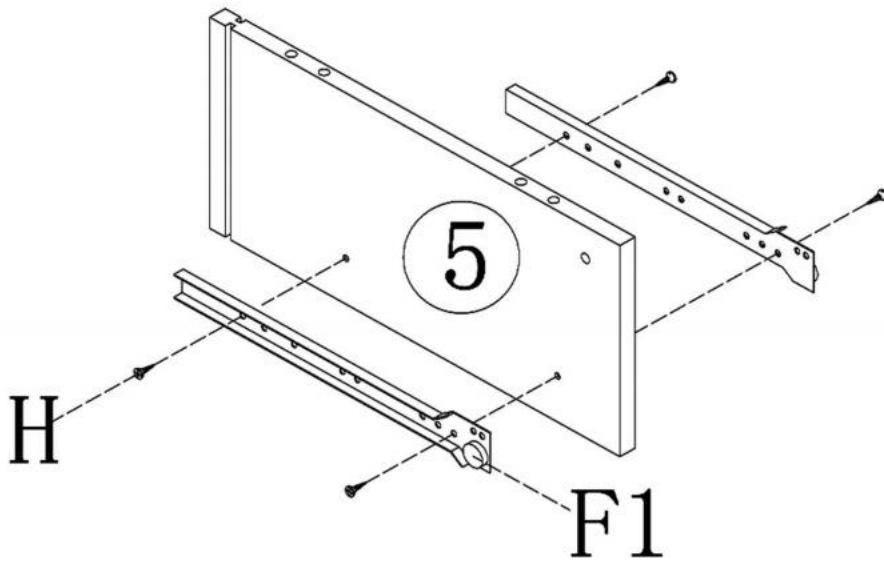


300



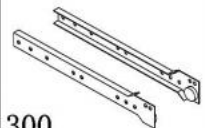
Ø3.5*14

4



F1*6

H*40

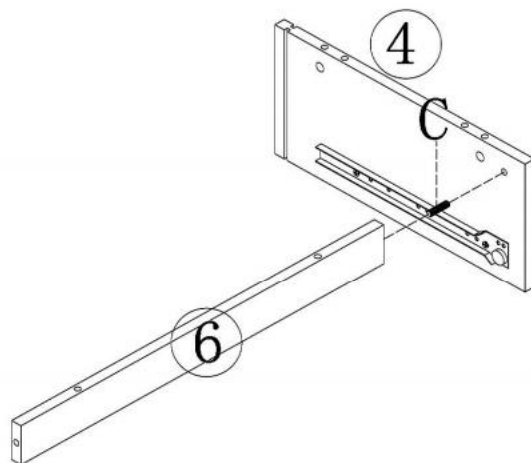


300



Ø3.5*14

5

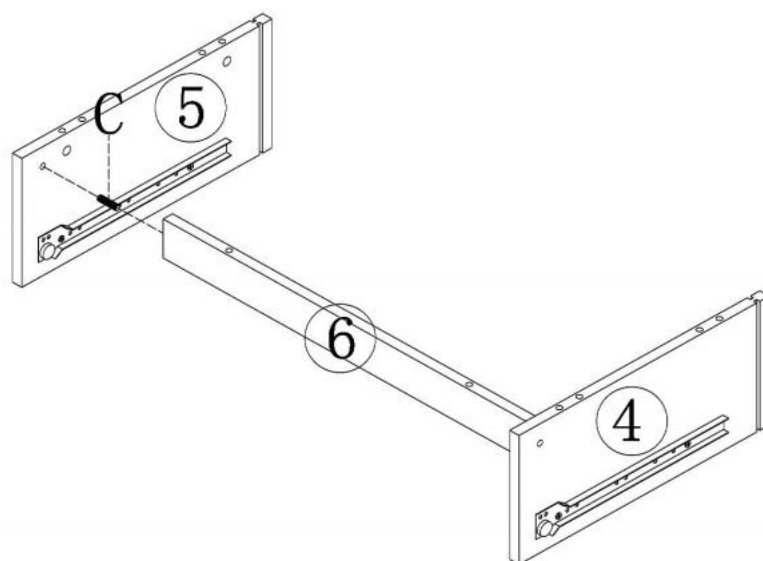


C*42



Ø8*30

6

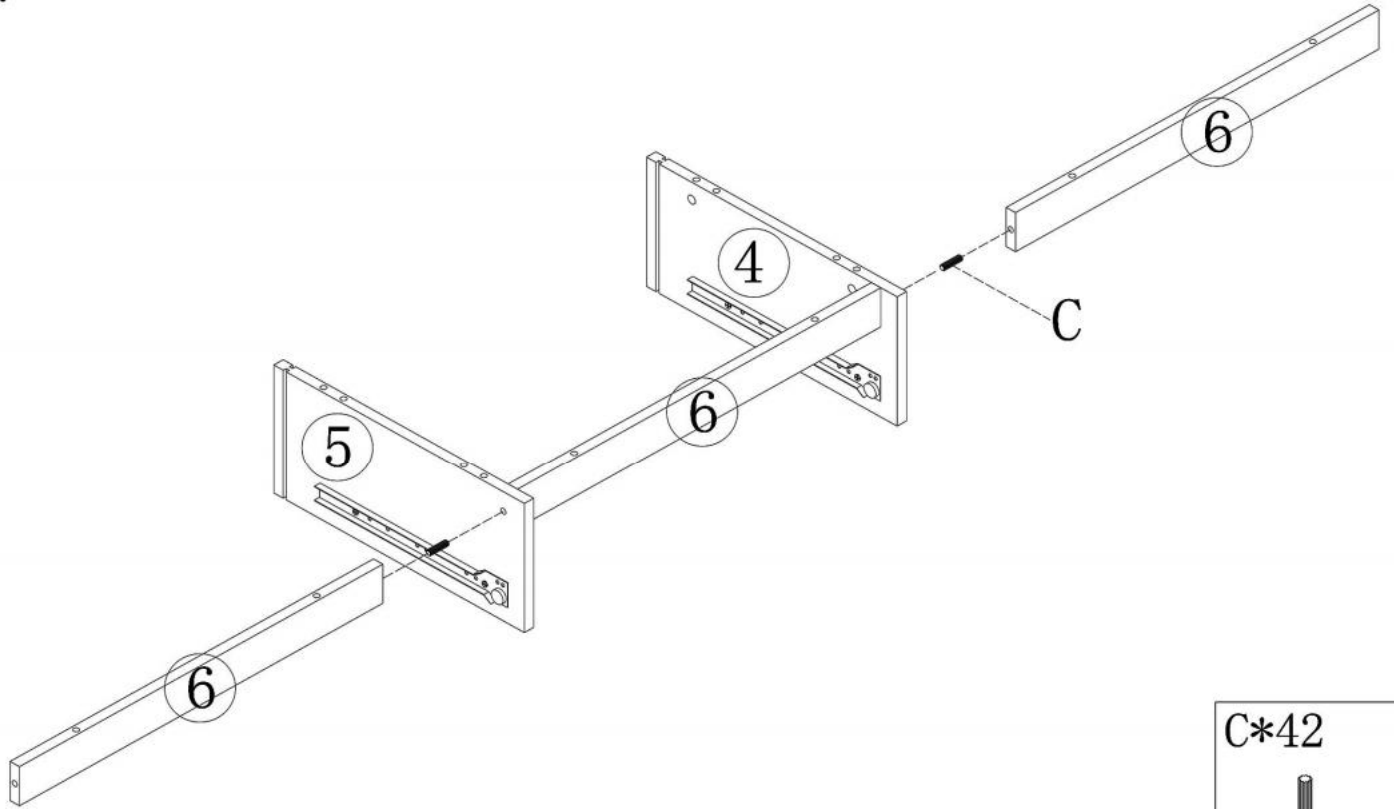


C*42



Ø8*30

7

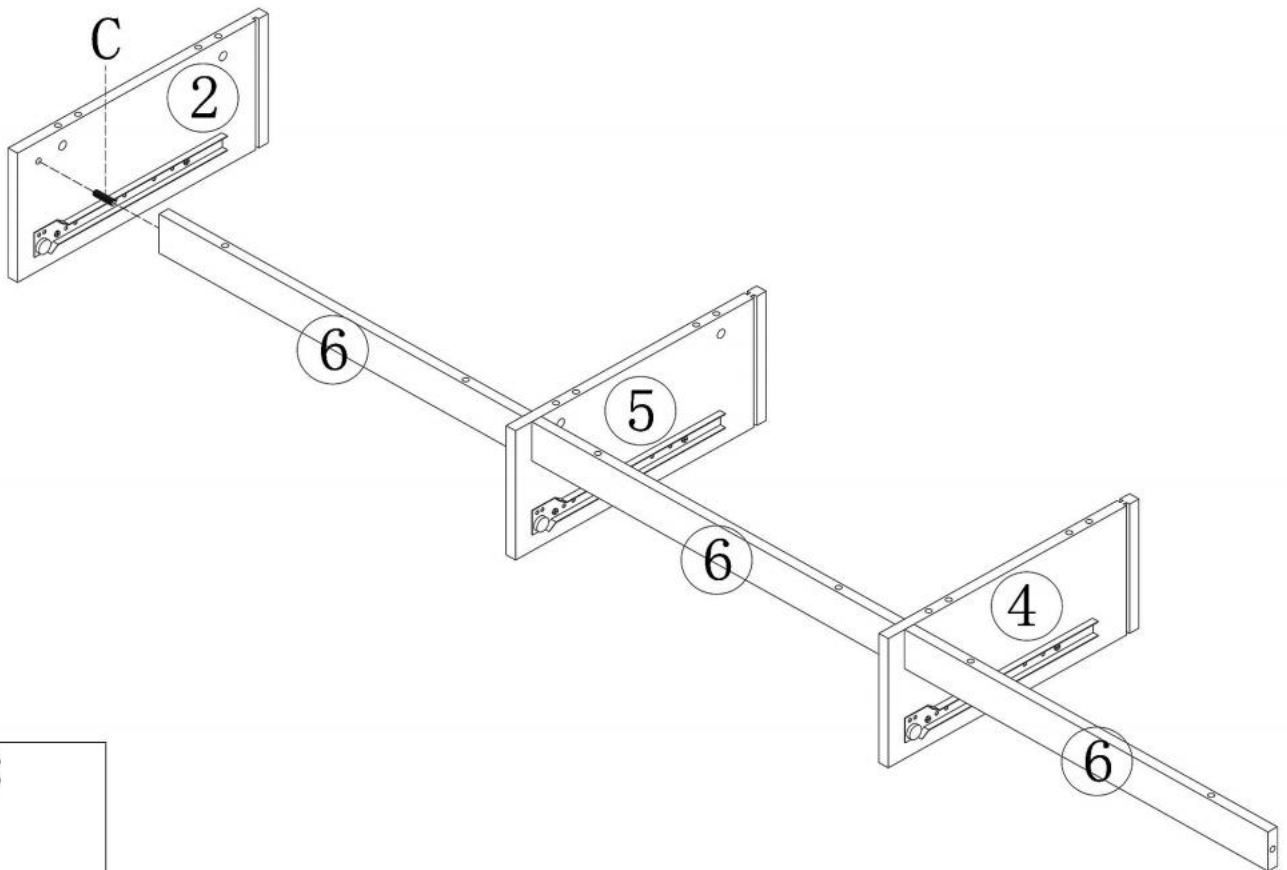


C*42



Ø8*30

8

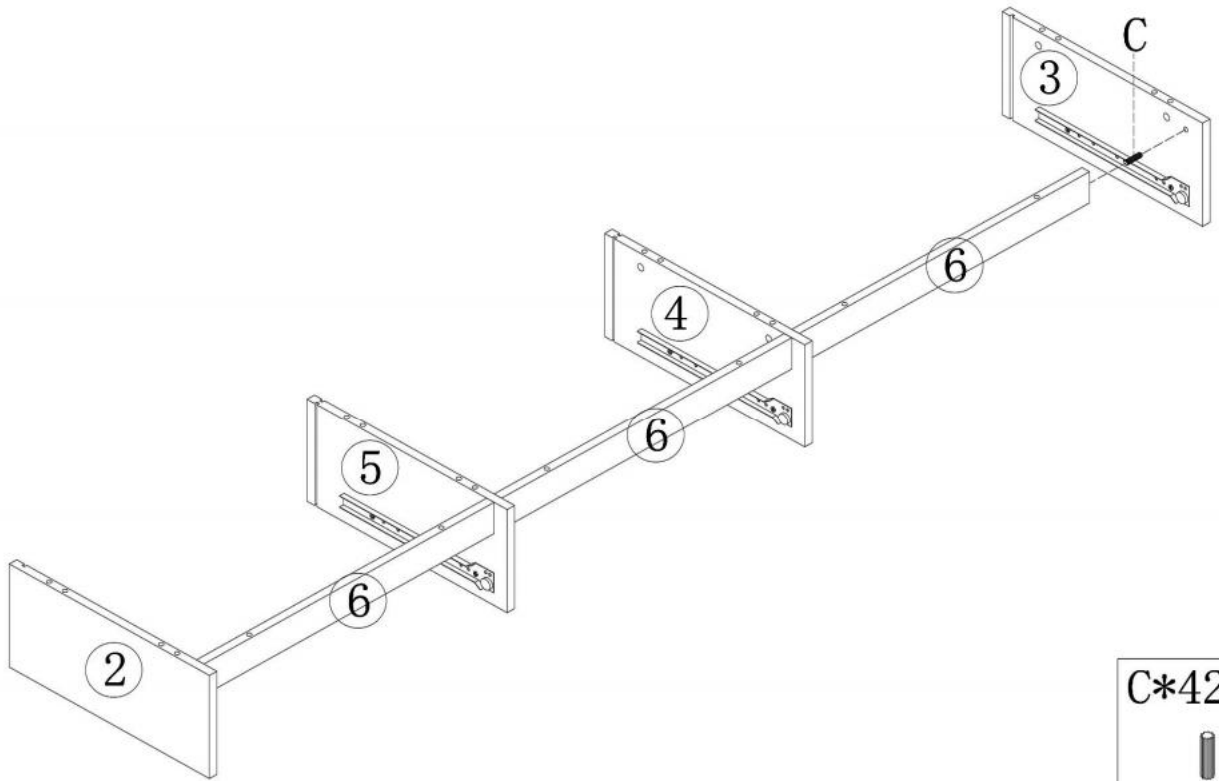


C*42



Ø8*30

9

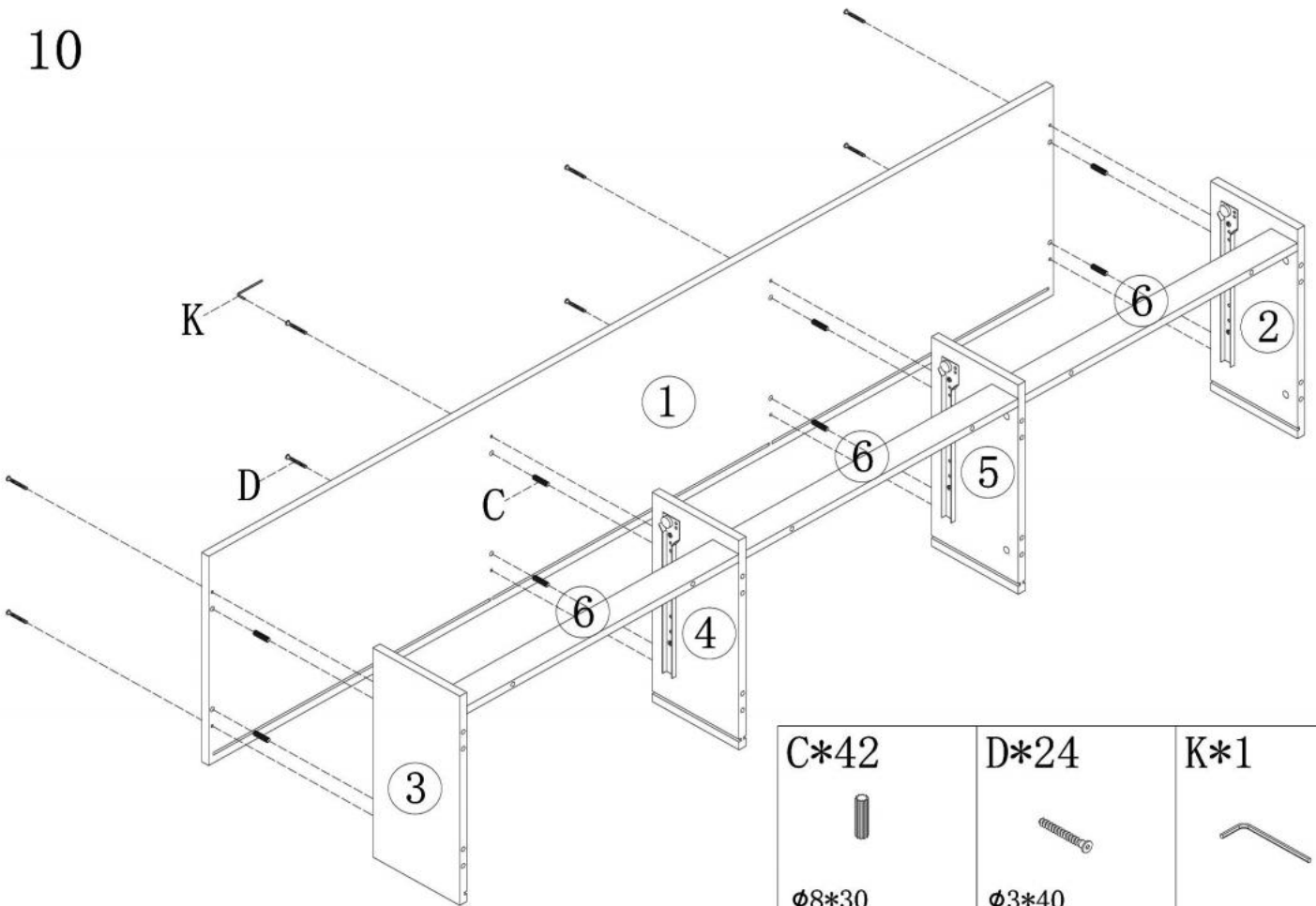


C*42



Ø8*30

10



C*42



Ø8*30

D*24

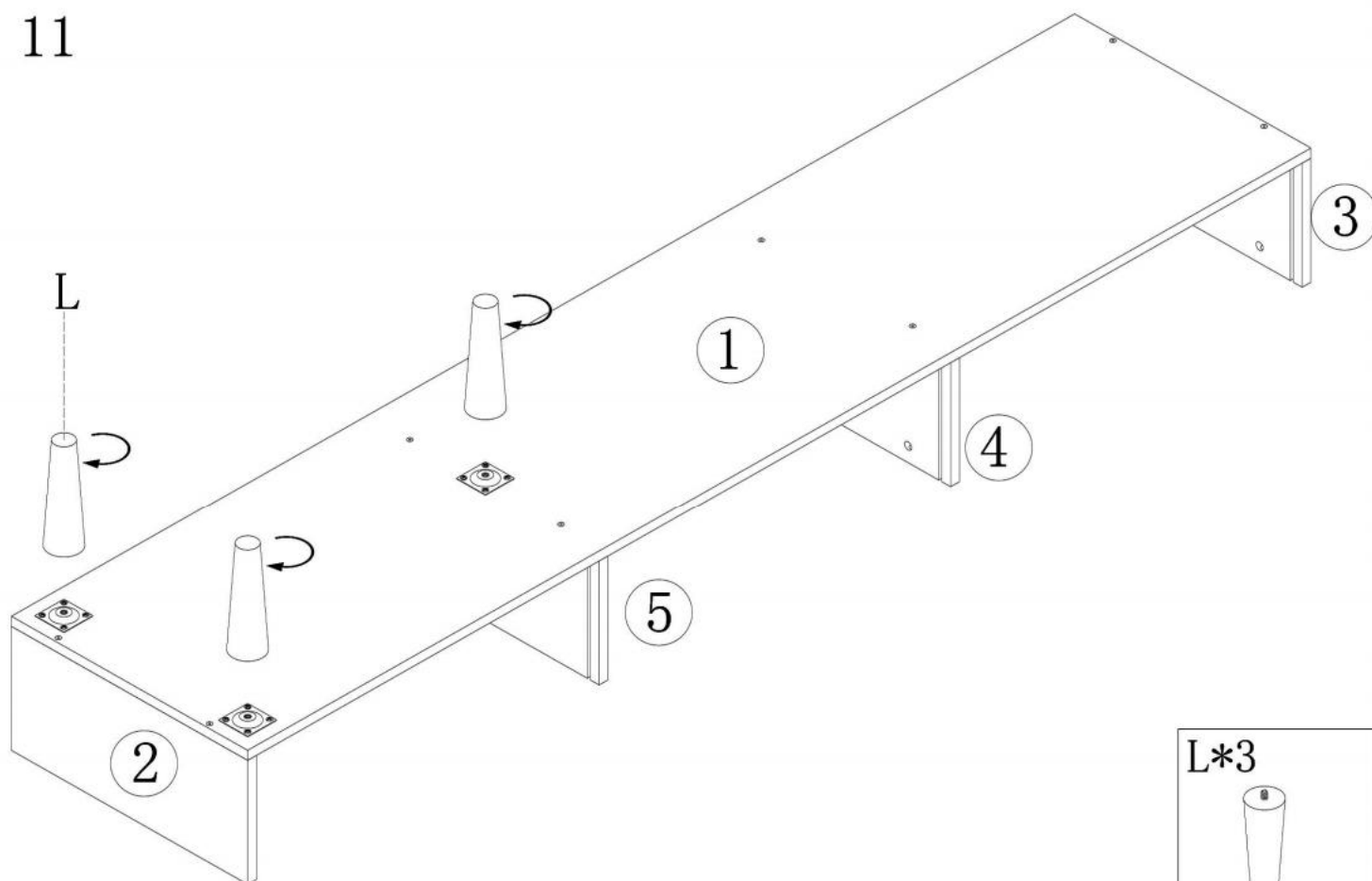


Ø3*40

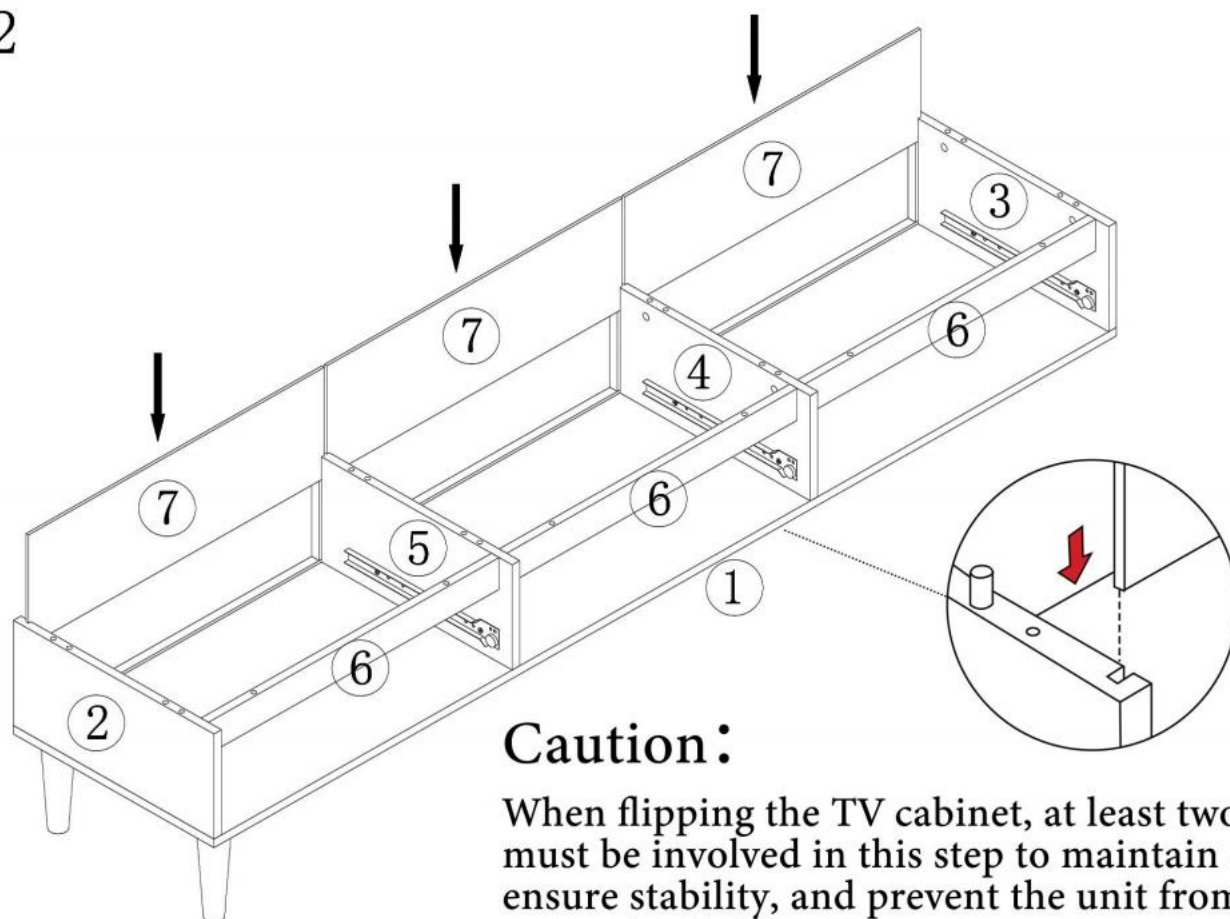
K*1



11



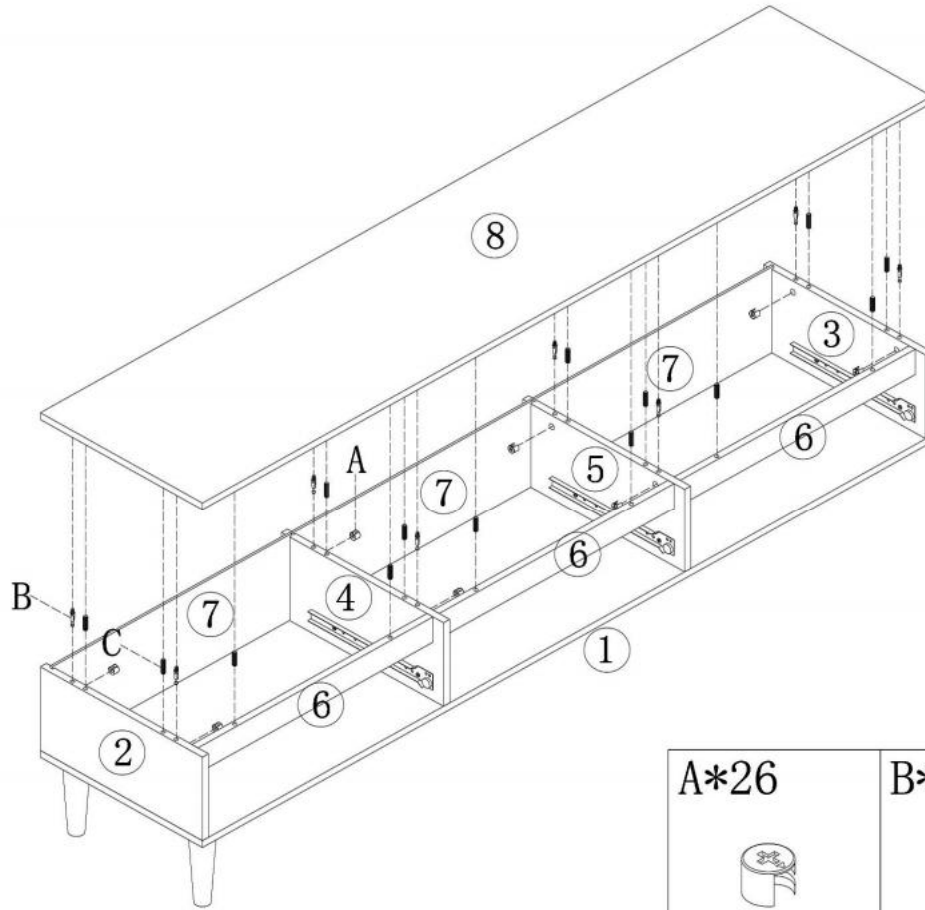
12



Caution:

When flipping the TV cabinet, at least two adults must be involved in this step to maintain control, ensure stability, and prevent the unit from falling or causing injury.

13



A*26



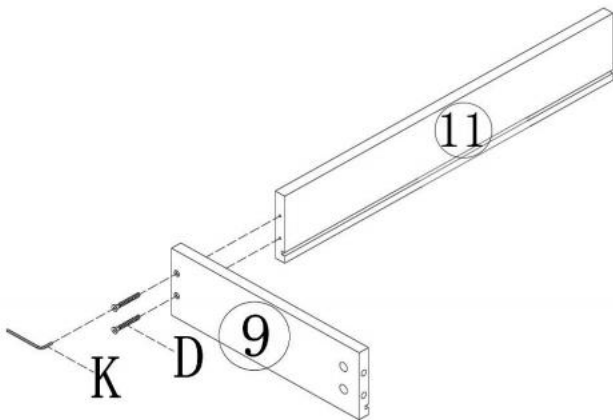
B*26



C*42



14



D*24

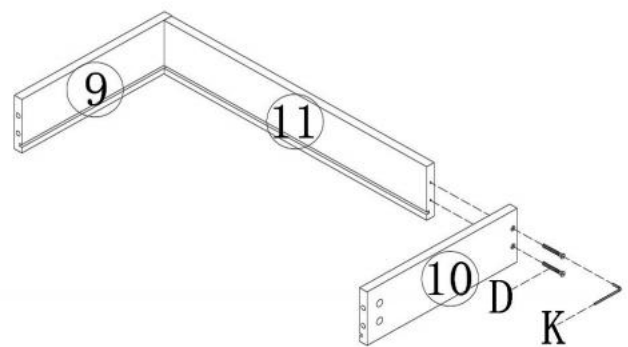


φ3*40

K*1



15



D*24

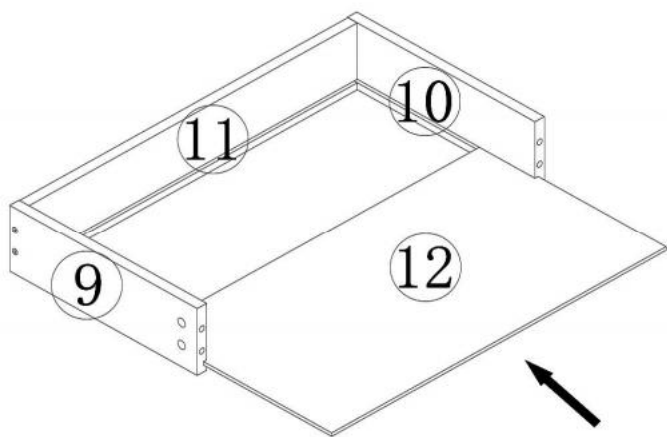


φ3*40

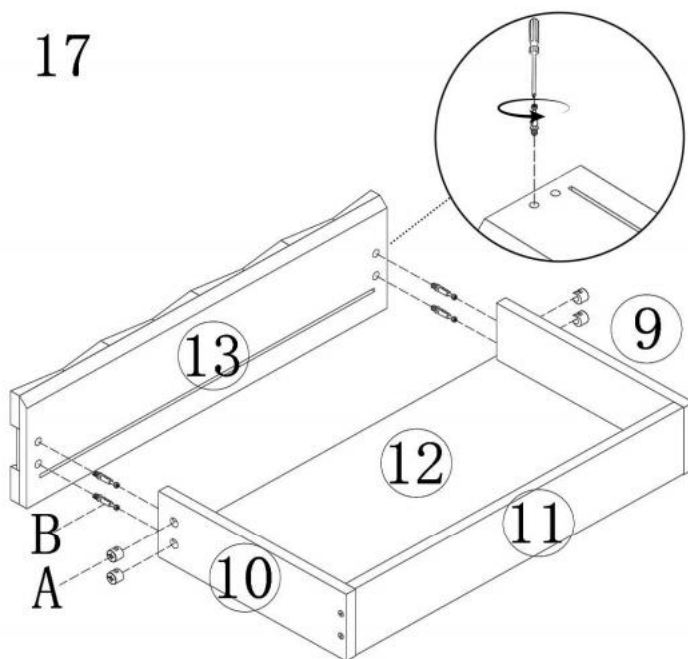
K*1



16



17



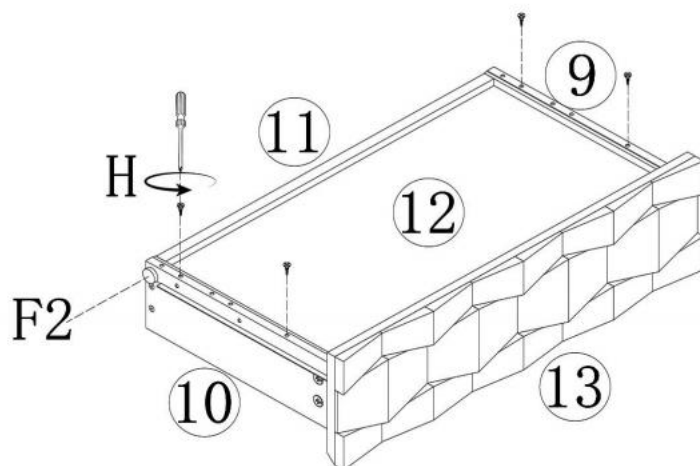
A*26



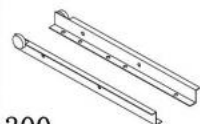
B*26



18



F2*6



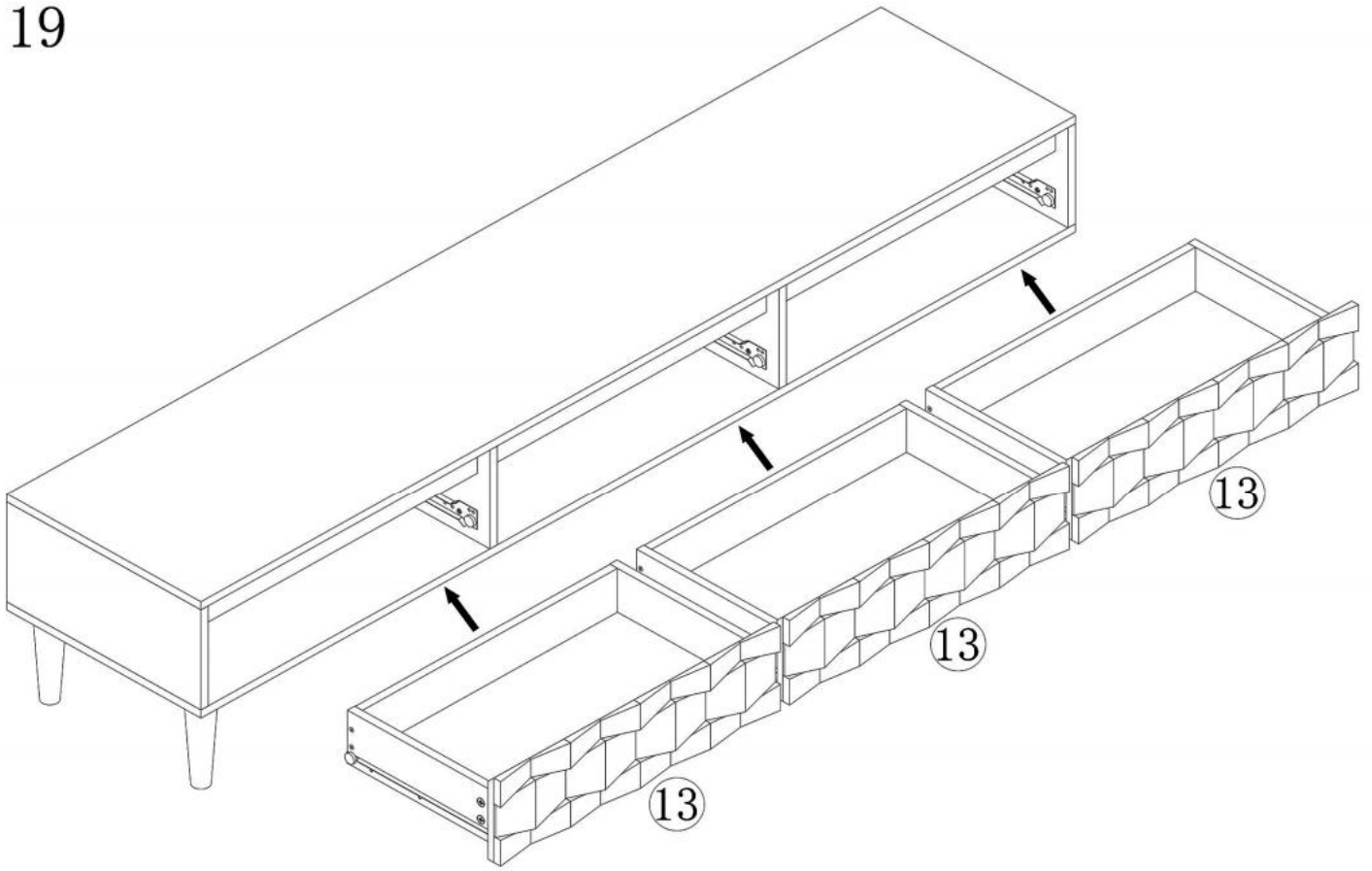
300

H*40

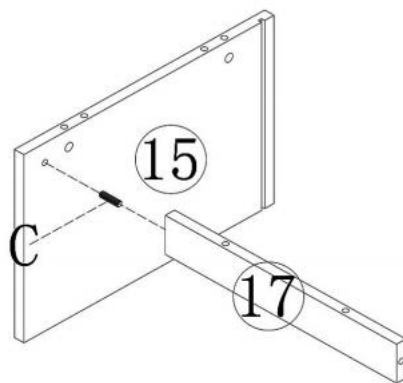


∅3.5*14

19



20

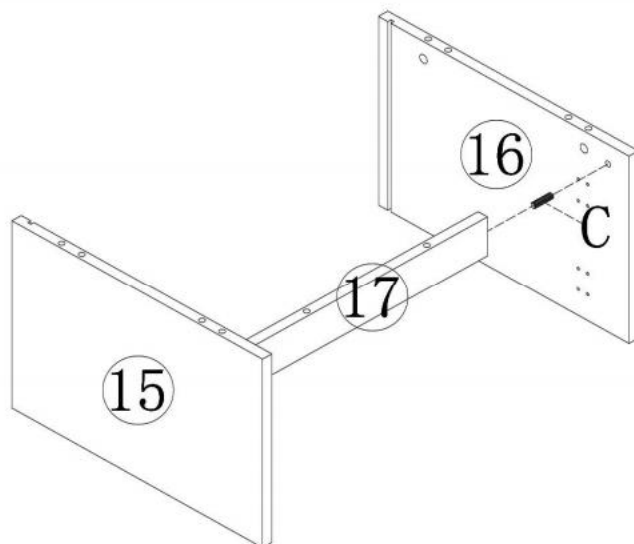


C*42



Ø8*30

21

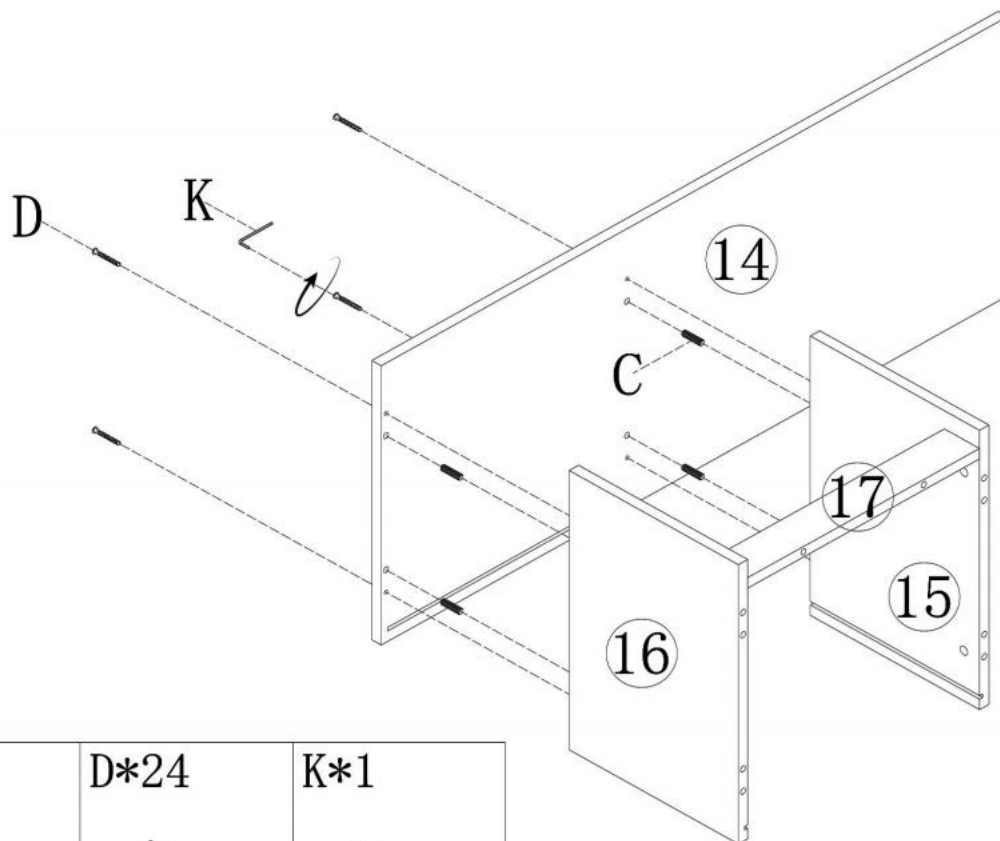


C*42



∅8*30

22



C*42



∅8*30

D*24

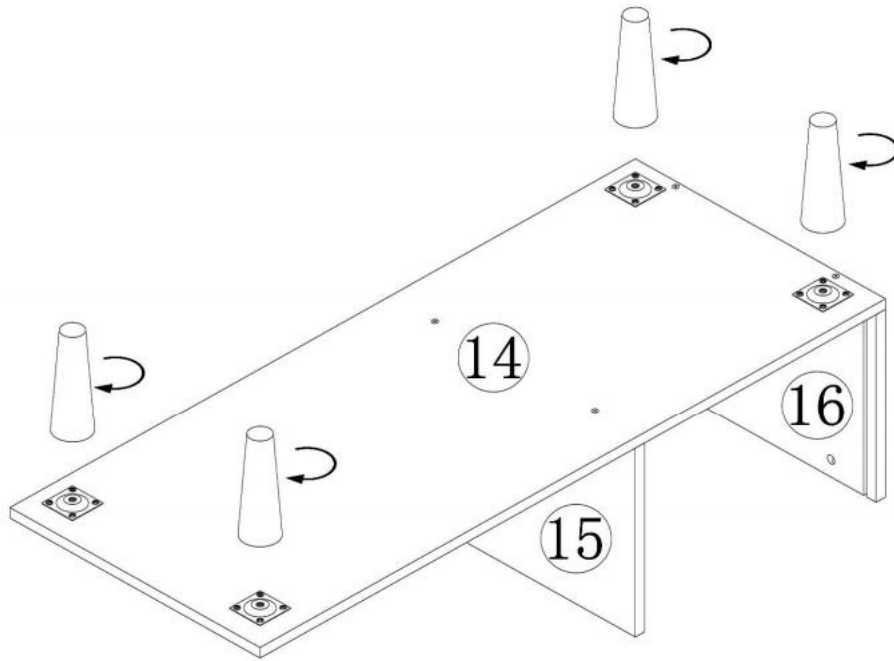


∅3*40

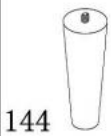
K*1



23

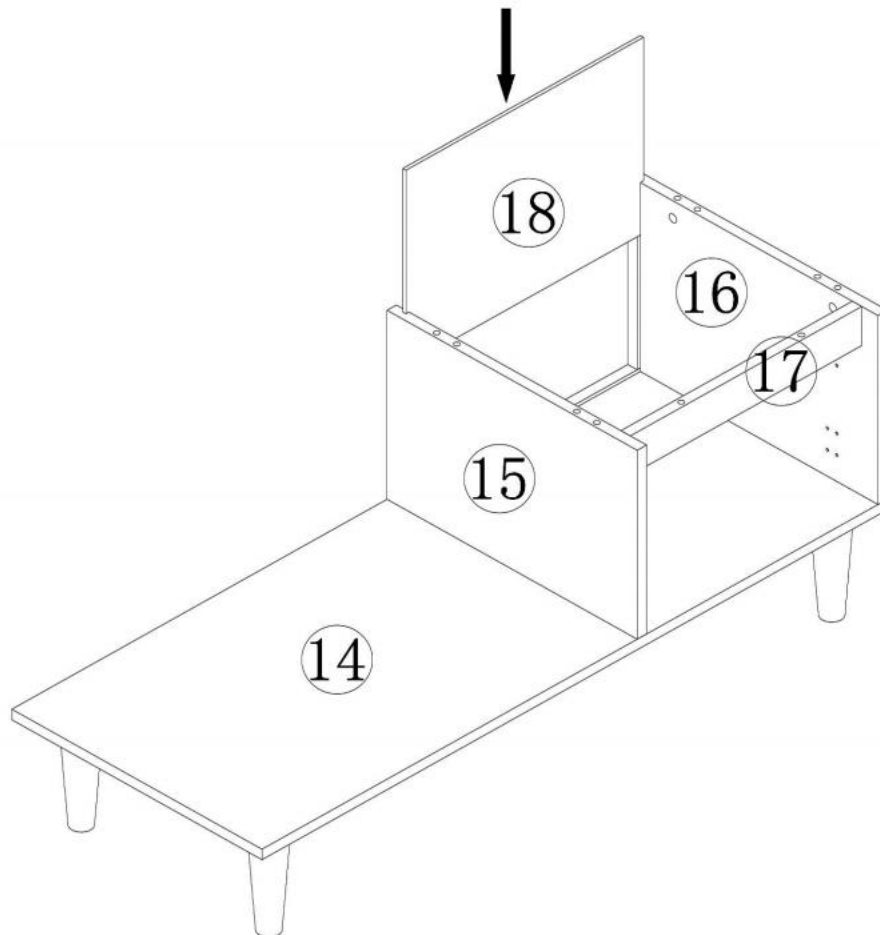


M*4

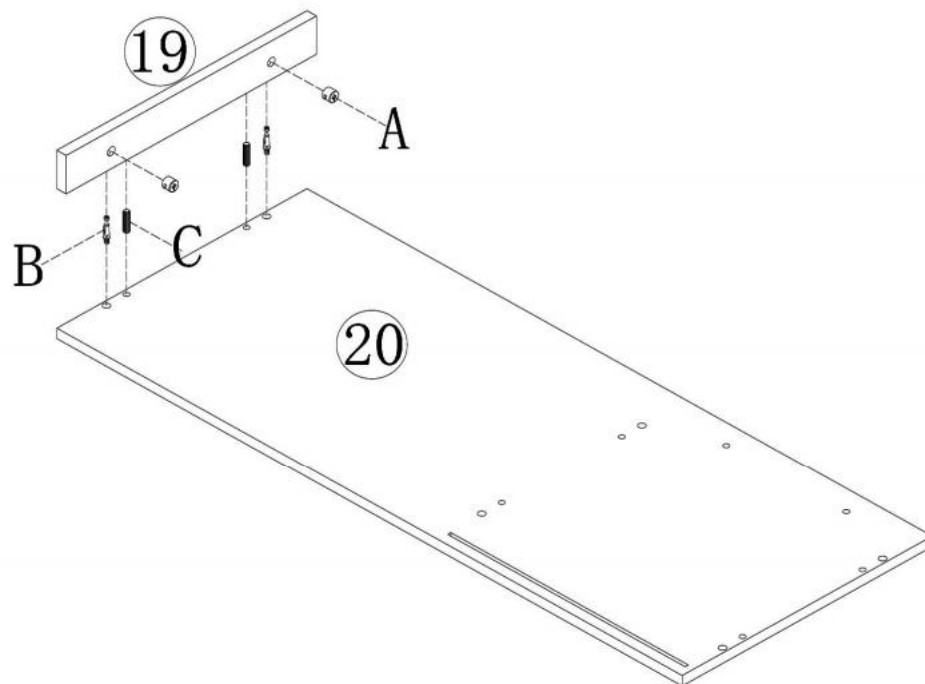


144

24



25



A*26



B*26

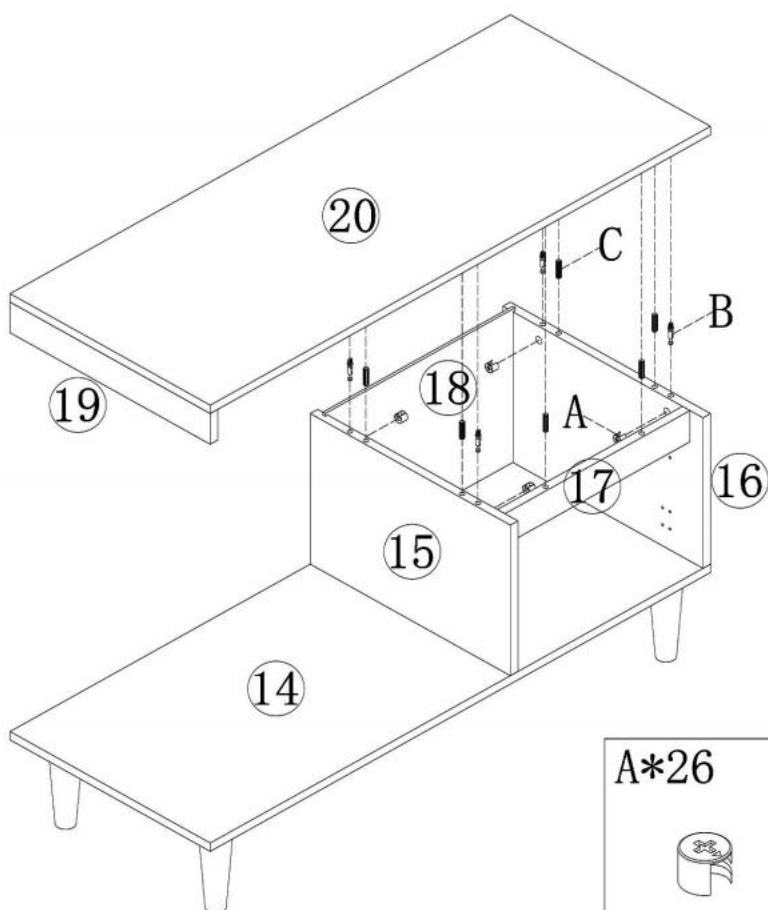


C*42



ø8*30

26



A*26



B*26

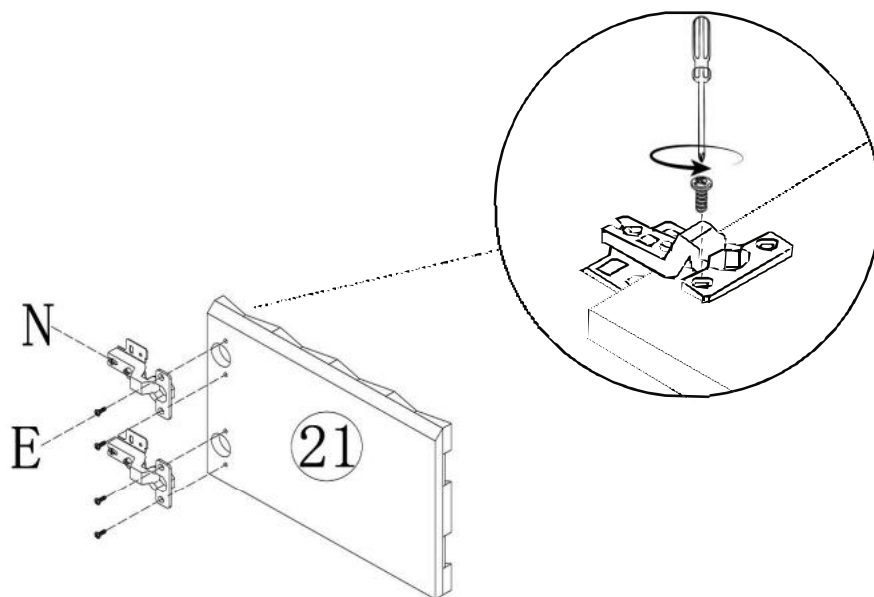


C*42



ø8*30

27



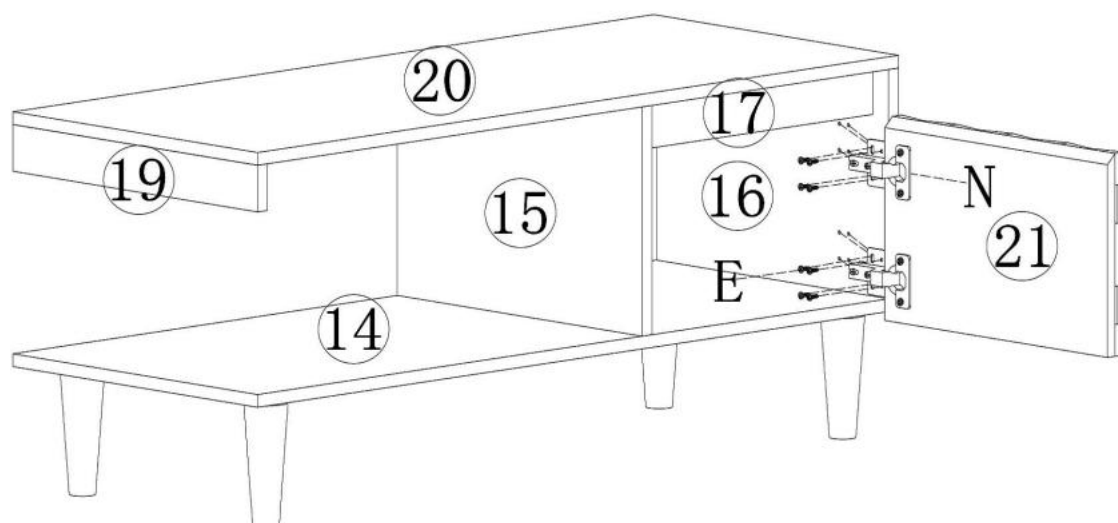
E*12

N*2



Ø4*12

28



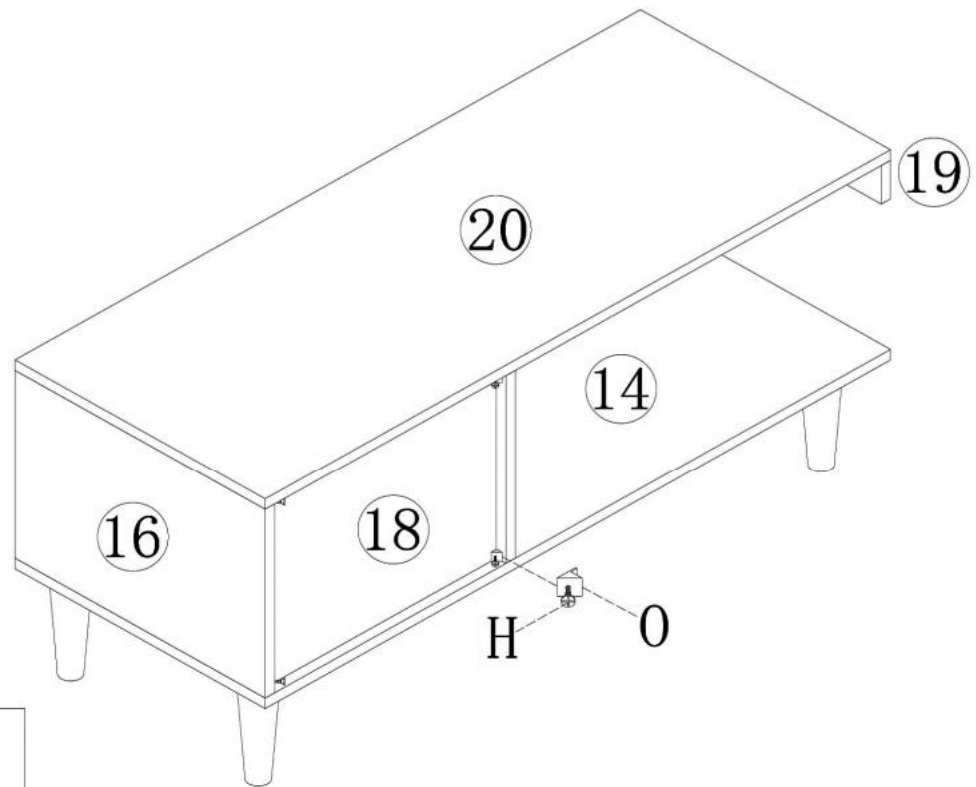
E*12

N*2



Ø4*12

29



H*40

0*4



∅3.5*14

30

