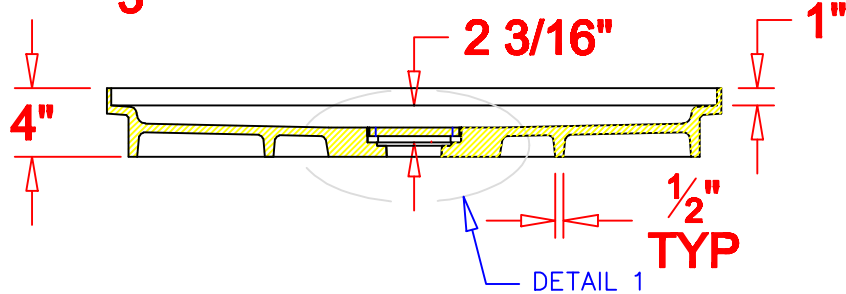
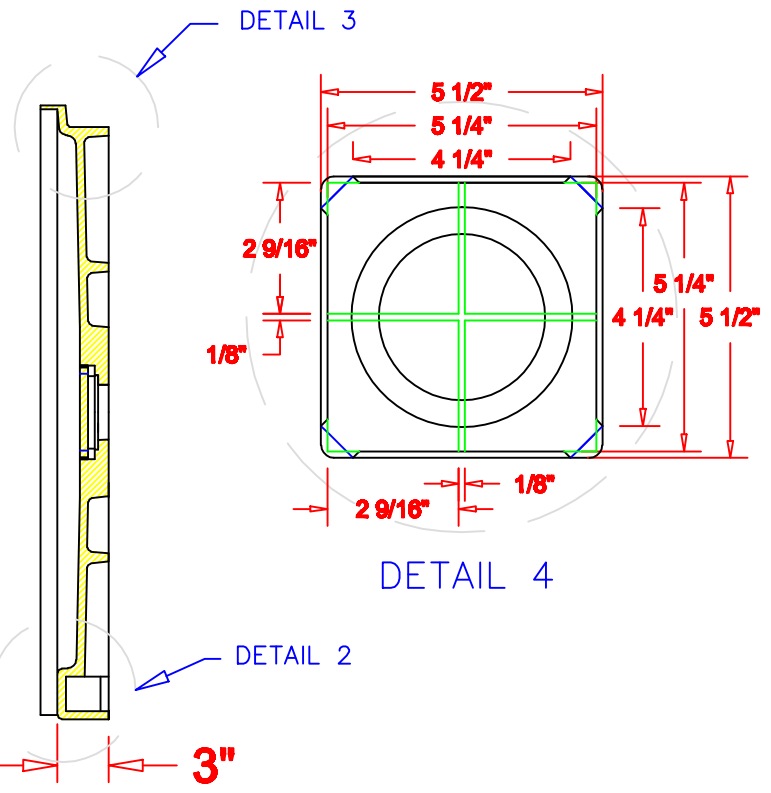
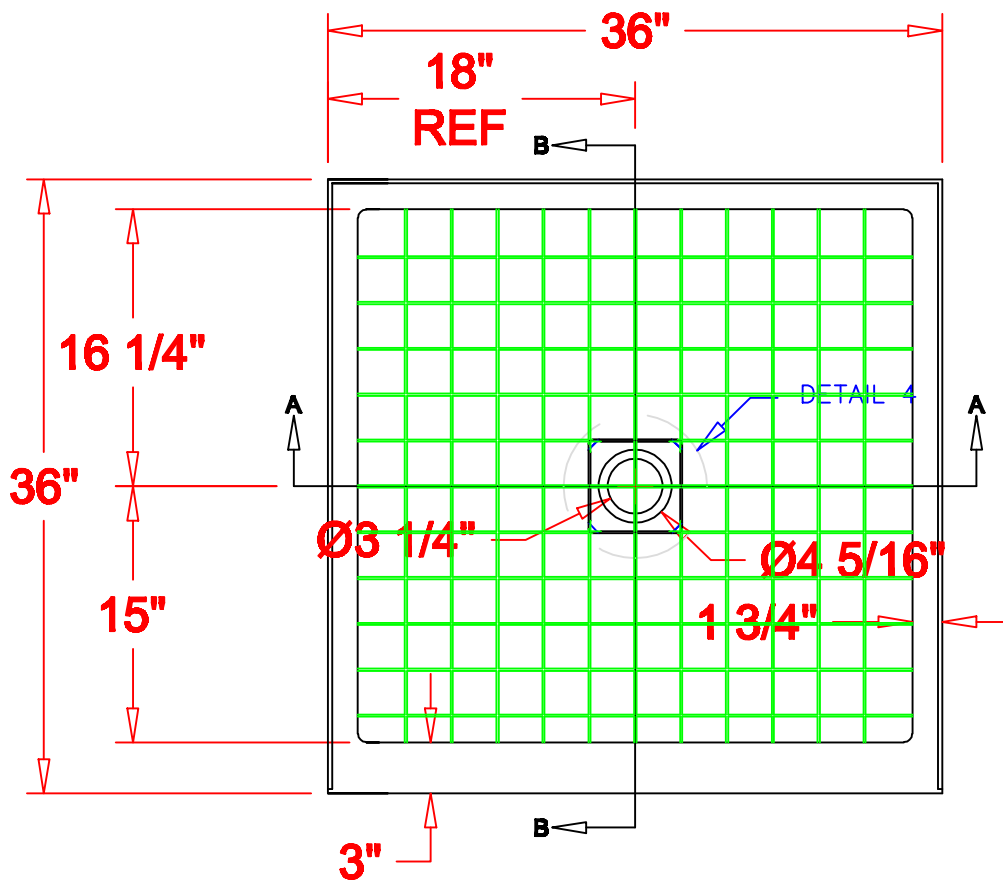


Rev #		
Rev #		



Customer Approval: _____ Date: _____
 Path: @Engineering2 Commercial

transolid™
 125 Linwood Veneer Road
 Linwood, NC 27299
 336-776-3810
 FAX 336-776-3811
 www.transolid.com

Part Number:	F3636		
Description:	Pan, Standard 36" x 36", Center Drain Location - With Cover		
Date Drawn:	12/11/12	Weight:	None
		Scale:	None
Drawn By:	Daniel Hollifield	Revised By:	
Approved By:		Date Revised:	