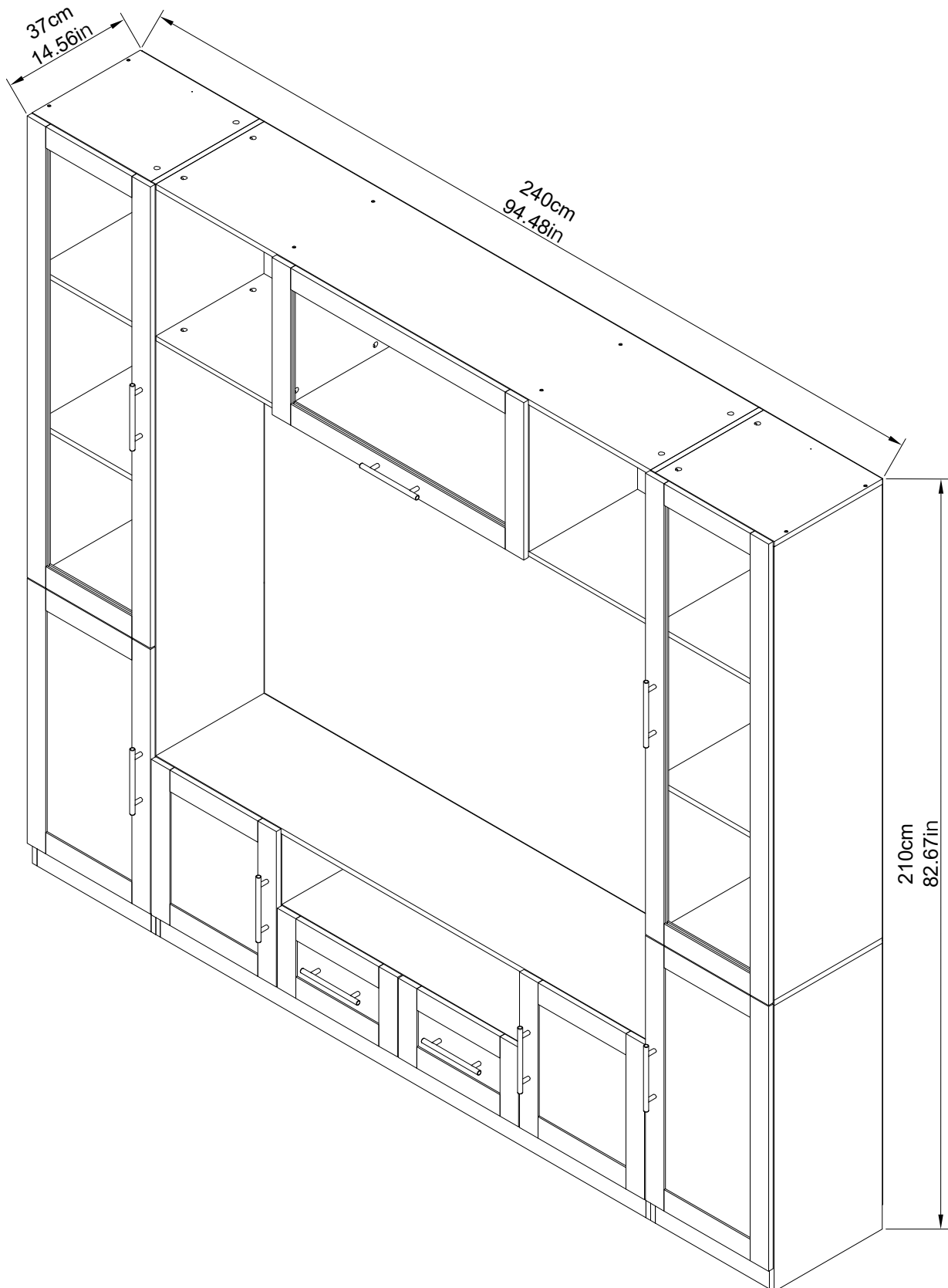


Assembly Instructions



IMPORTANT INFORMATION!

•please read the entire manual before starting to assemble and/or using this product. follow the manual thoroughly and keep it for further reference.

AVOID SCRATCHES!

•In order to avoid scratching this furniture should be assembled on a soft layer-could be a rug.

IMPROVE EFFICIENCY !

•Try to find a partner to install with you, which can speed up the installation efficiency and shorten the time.

IMPORTANT !

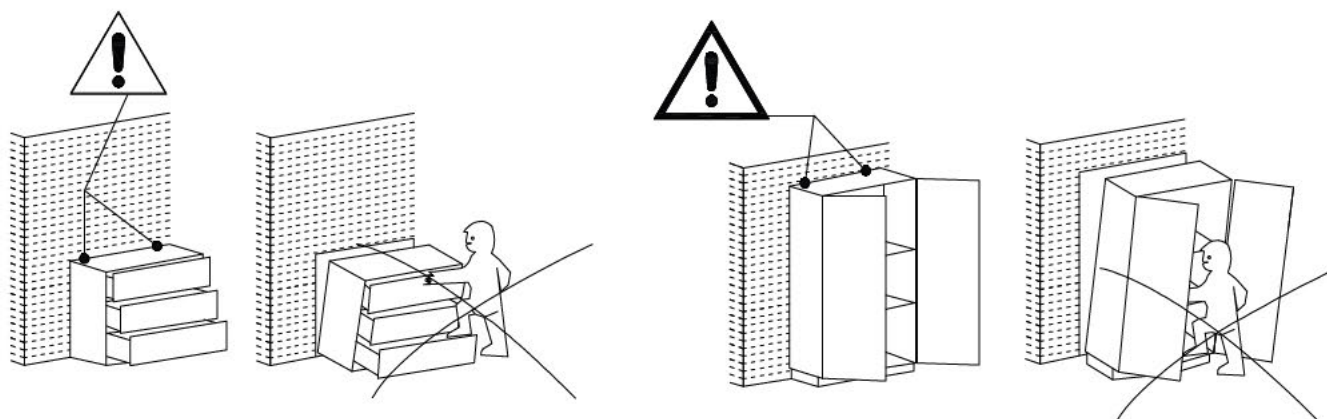
•It is important that any product which is assembled using any kind of screw is re-tightened 2 weeks after assembly, and once every 3 months - In order to assure stability through-out the lifespan of the product.

•For regular maintenance and cleaning of the product, for the frame, please use a rag dipped in neutral detergent to fully wipe it, and then dry it with a clean rag. For glass materials, wipe with a rag dampened with water glass cleaner, and then dry with a dry rag.

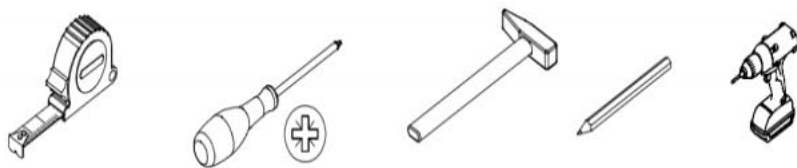
•Do not use an electric screwdriver, and do not use too much force when installing, because the board is easy to break.

ANTI-TOPPLE WARNING !

Overtured furniture can cause serious or fatal crush injuries. To prevent tipping over, be sure to use the wall attachment, if not included with this product. Please purchase the wall attachment that fit your wall. If unsure, seek professional advice. Please read and follow each step of the instructions carefully.



Please prepare the following tools



Installation Notes:

The furniture is large and heavy, please choose a good placement before installation. After all the installation is completed, try not to move widely, if necessary, please more than one person to cooperate to carry out.

Please note: After the overall installation is completed, such as vigorous dragging, or brute force to help carry, may cause irreversible damage to the object connection position or plate, the occurrence of cracks, affecting the use and appearance.

The assembly must be done by two people.

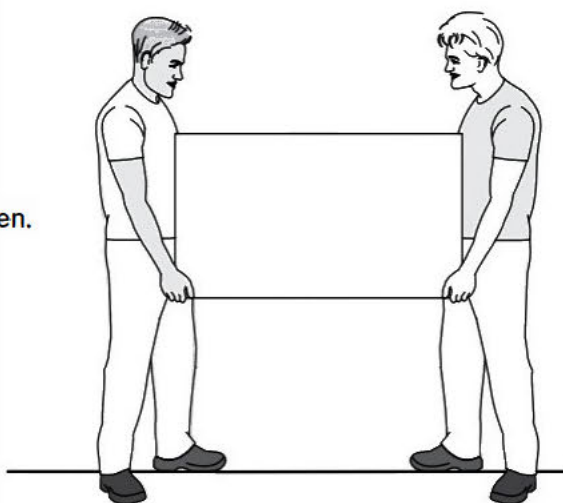
L'assemblage doit être effectué par deux personnes.

Es wird empfohlen, dass zwei Personen den Artikel montieren.

El montaje debe ser efectuado por dos personas.

A montagem deve ser efetuada por duas pessoas.

Il montaggio deve essere effettuato da due persone.



This product contain small parts, please, keep out of reach of children.

Ce produit contient de petites pièces, s'il vous plaît, à conserver hors de portée des enfants.

Bitte halten Sie kleine Teile außerhalb der Reichweite von Kindern.

Este producto contiene piezas pequeñas, mantener fuera del alcance de los niños.

Este produto contém peças pequenas, por favor, mantenha fora do alcance das crianças.

Questo prodotto contiene piccole parti, si prega di tenerle fuori dalla portata dei bambini.

REAL SIZE- TAILLE RÉELLE - ORIGINALGRÖÖE - TAMAÑO VERDADERO - TAMANHO REAL- DIMENSIONE REALE

In case of doubt, compare the hardware with the full-size images below.

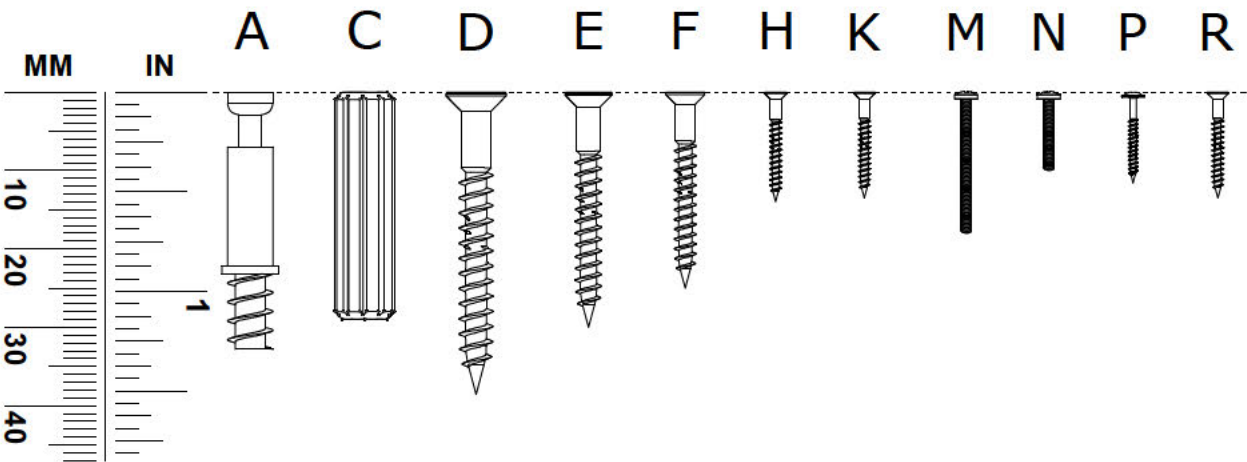
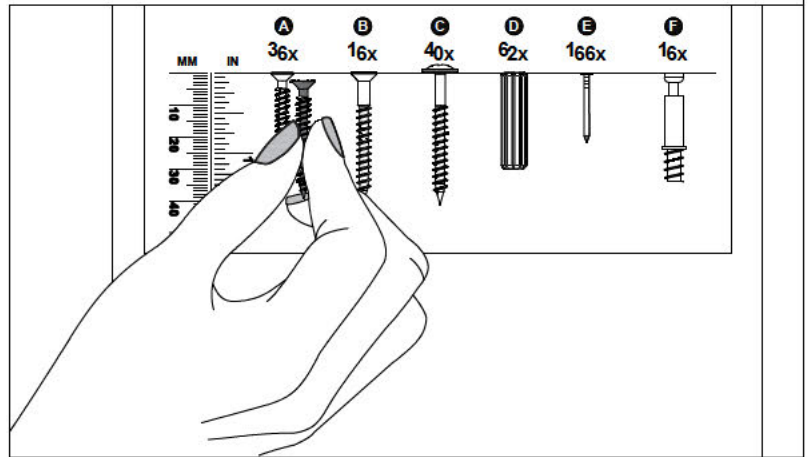
En cas de doute, veuillez comparer le matériel avec les images en taille réelle ci-dessous.

Vergleichen Sie im Zweifelsfall die Schrauben mit den Abbildungen in Originalgröße.

En caso de dudas, compare las herrajes con las imágenes a seguir en tamaño real.

Em caso de dúvida, compare as ferragens com as imagens abaixo em tamanho real.

In caso di dubbio, confronta le ferramenta con le immagini sottostanti a grandezza reale.



A x 106



B x 106



C x 120



D x 24



E x 8



F x 8



G x 14



H x 88



J x 2



K x 16



L x 9



M x 14



N x 4



P x 60



Q x 8



R x 8



S x 2

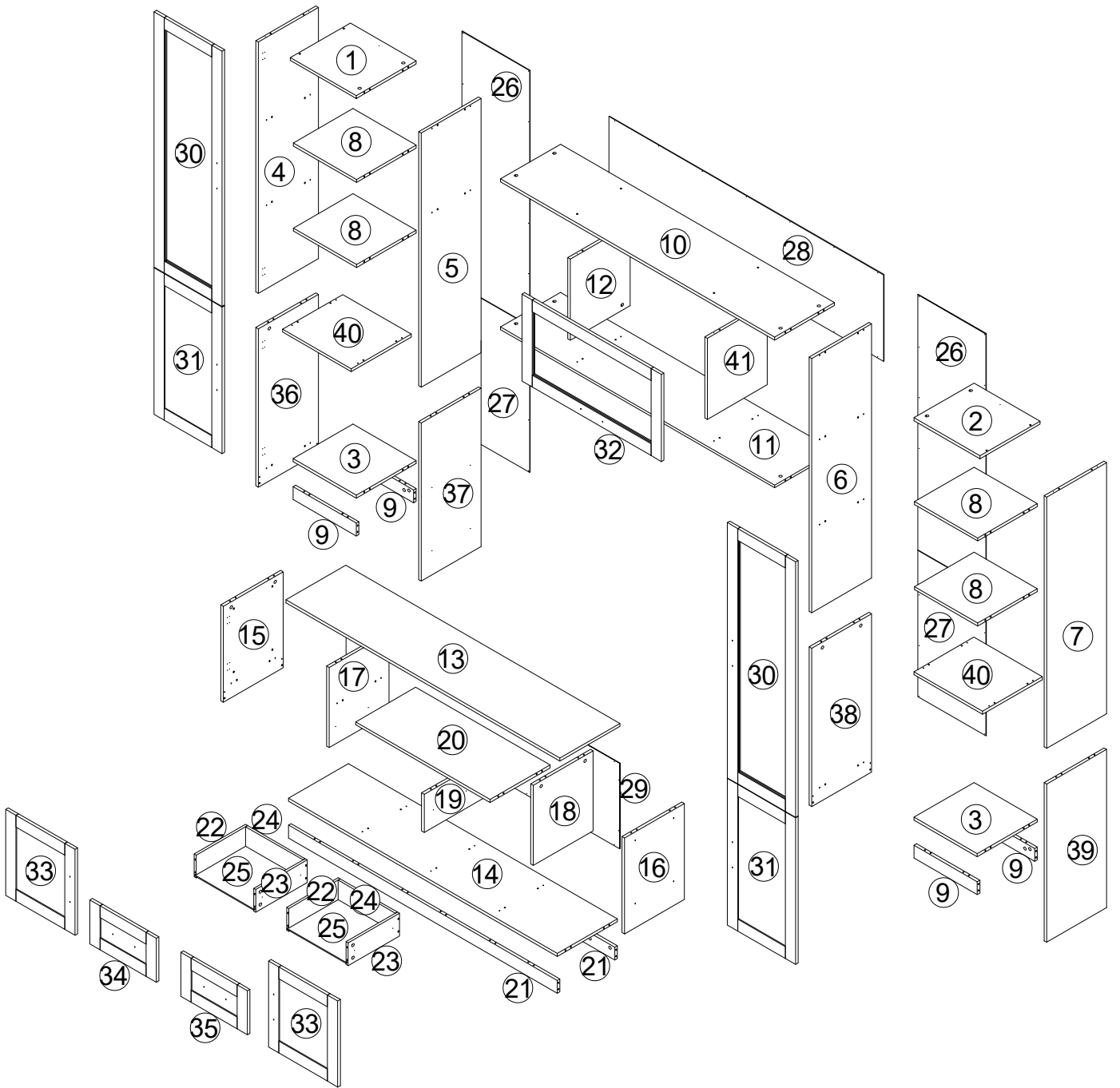


T x 2



U x 2





ATTENTION - AVERTISSEMENT - ACHTUNG - ATENCIÓN - ATENÇÃO - ATTENZIONE

Assemble the furniture on a clean and flat surface and cover it with the cardboard of the packaging.

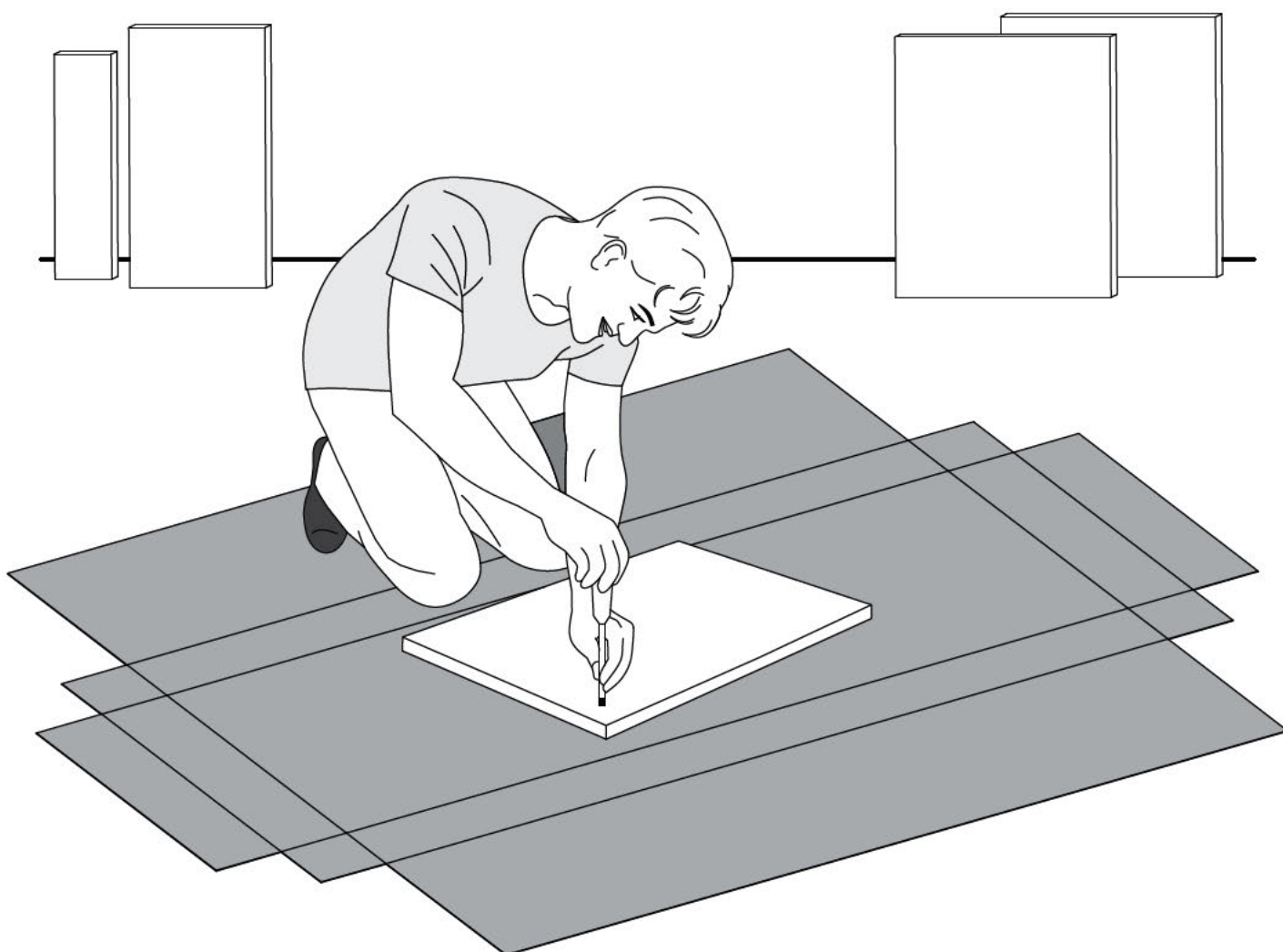
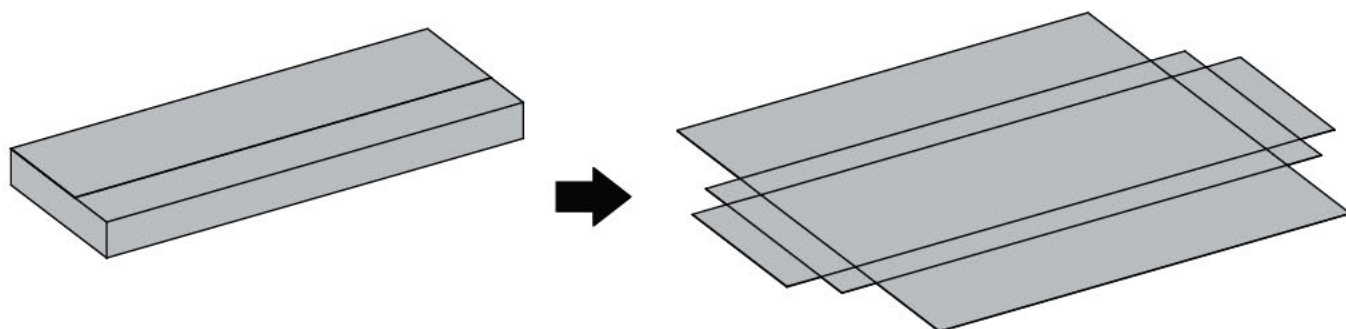
Assemblez le meuble sur une surface propre et plane et couvrez-le avec le carton de l'emballage du produit.

Um Beschädigungen zu vermeiden, montieren Sie den Artikel auf einer weichen, sauberen Unterlage.
Tipp: Legen Sie den Artikel auf dem Verpackungskarton.

Montar el mueble sobre una superficie limpia y plana y cubrirlo con el cartón del embalaje del producto.

Montar o móvel sobre uma superfície limpa e plana e forrá-la com o papelão da embalagem do produto.

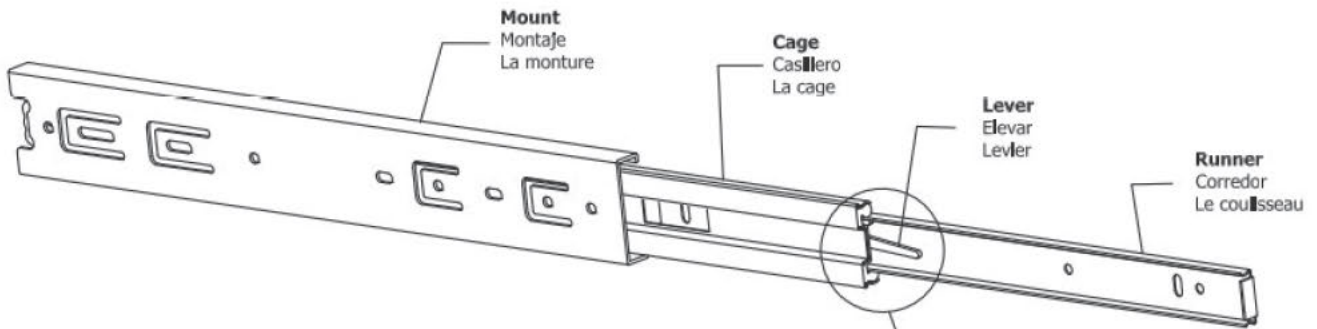
Montare il mobile su una superficie pulita e piana e rivestirla con il cartone d'imballaggio del prodotto.



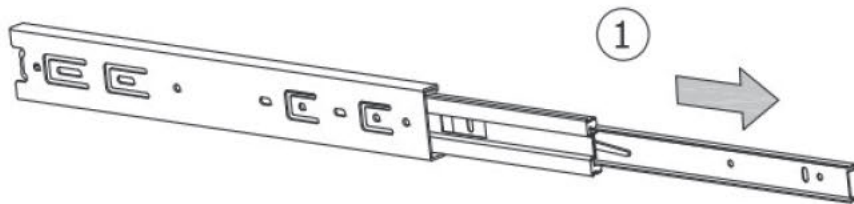
**Slides Must Be Separated Before Assembly.
After Separated, Set Aside Until Needed for Assembly.**

Las diapositivas deben separarse antes del montaje.
Después de la separación, déjelo a un lado hasta que sea necesario.

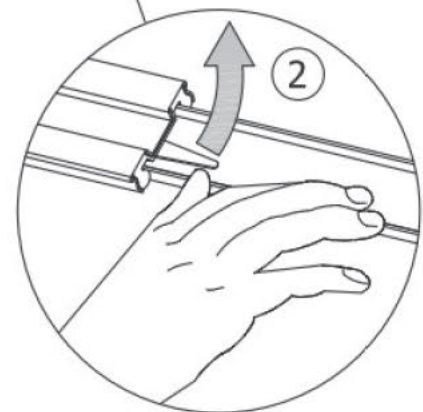
Les glissières doivent être séparées avant l'assemblage.
Après la séparation, mettez de côté jusqu'au moment de l'assemblage.



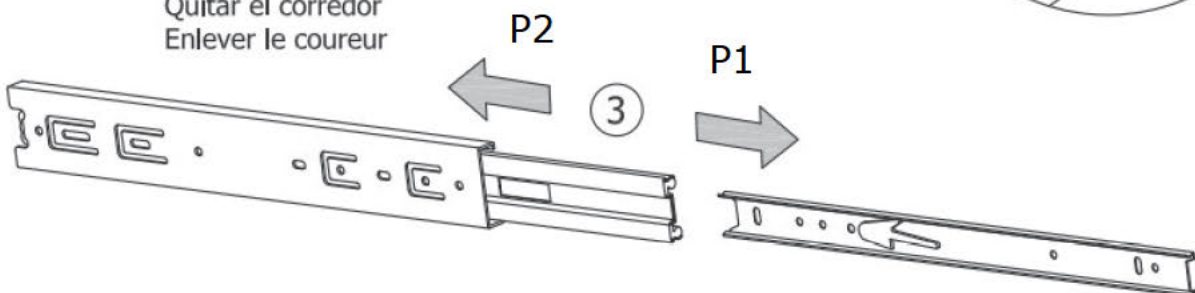
STEP 1: Extend Slide
Extender la diapositiva
Extendre la diapositive



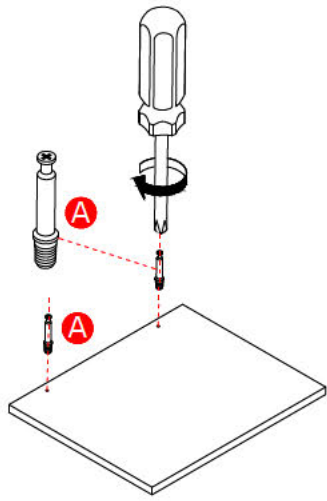
STEP 2: Push Lever UP
Empujar hacia arriba
Lever le levier



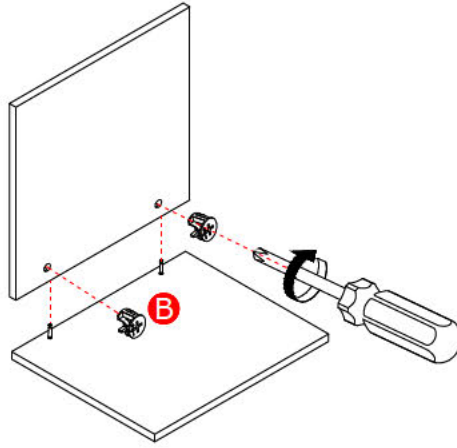
STEP 3: Remove Runner
Quitar el corredor
Enlever le coureur



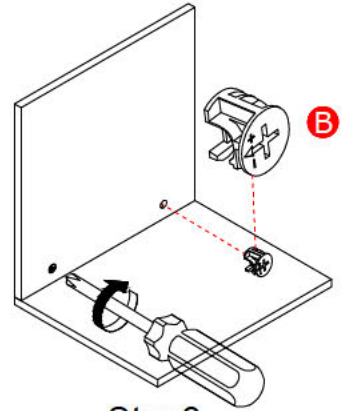
Use parts **A** and **B**



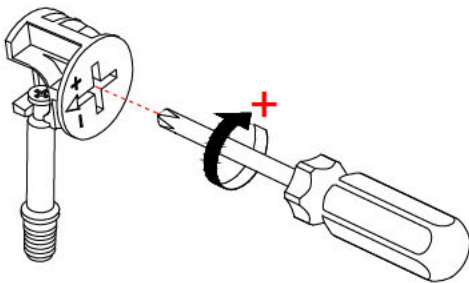
Step1



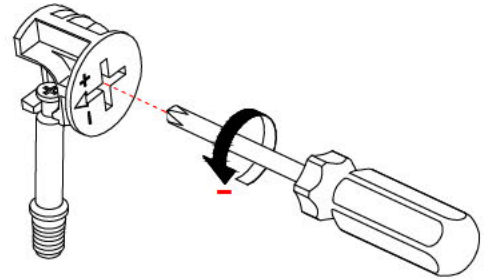
Step2



Step3

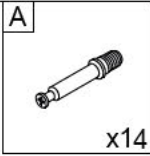


Use a screwdriver to lock in the direction of the "+" sign

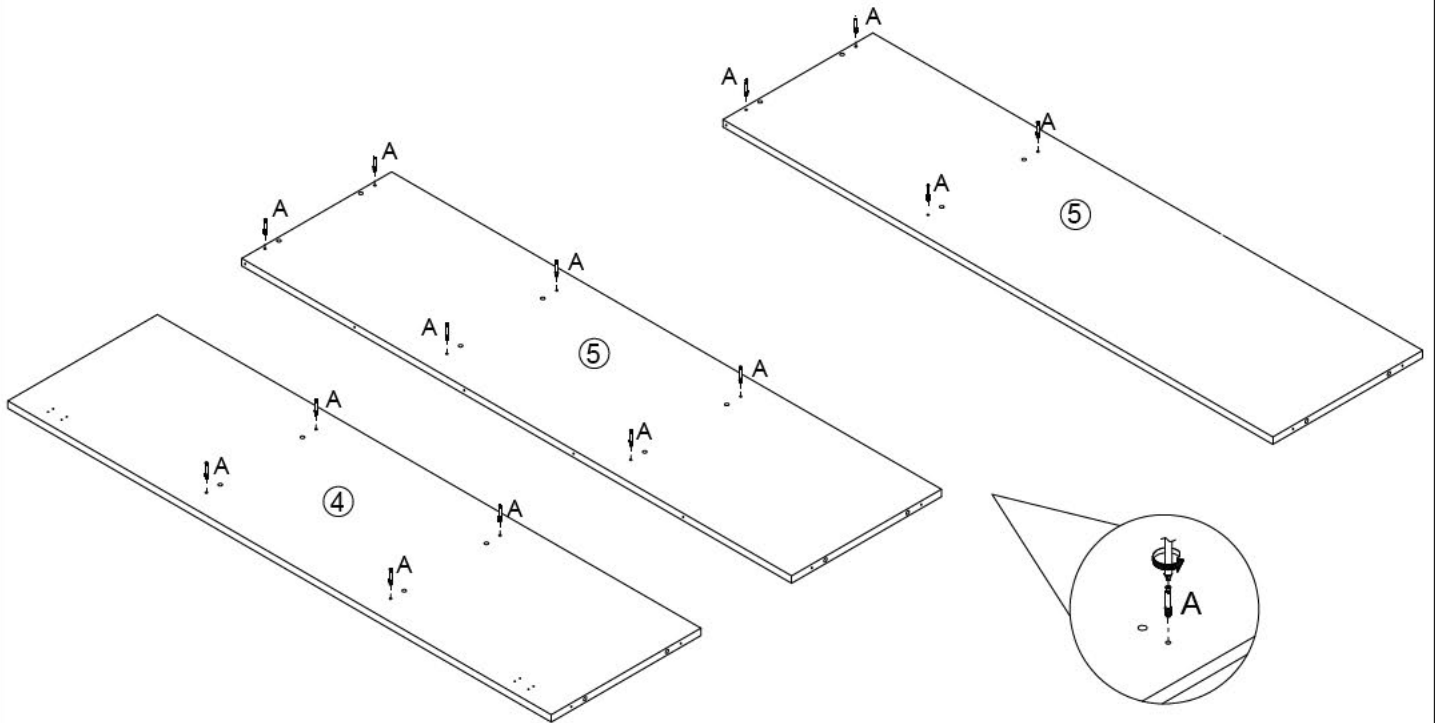
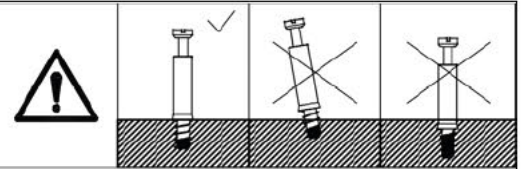


Disassemble along the direction of "-" sign

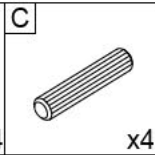
1



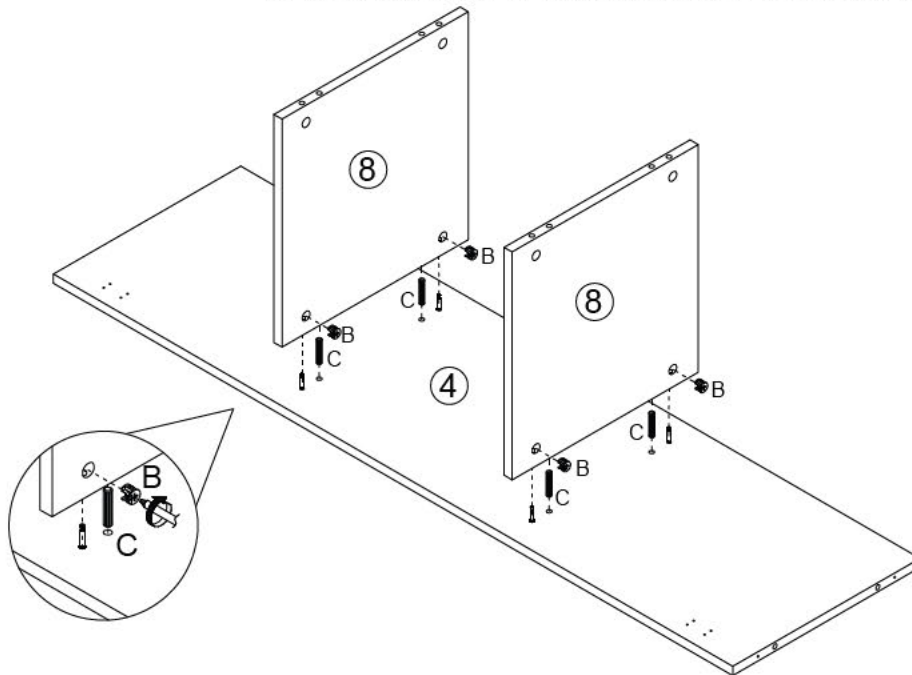
Tighten the screws (A) into the corresponding holes in parts 4 and 5, ensuring they are locked vertically.



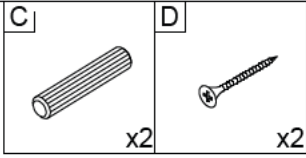
2



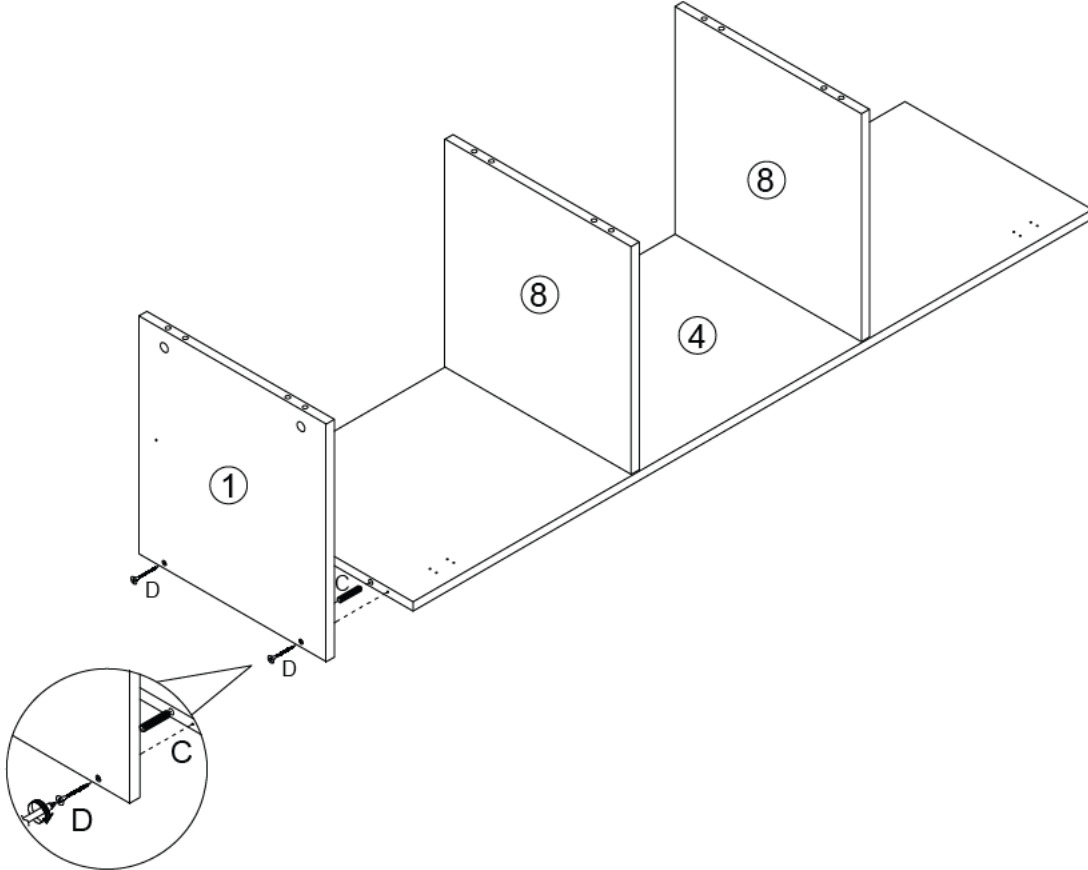
Insert the tenon (C) into the corresponding hole in part 4 as shown. Then, insert the cam locator (B) into the corresponding hole in part 8 and rotate it clockwise to secure.



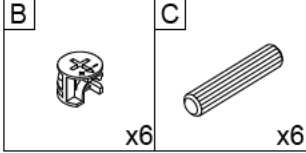
3



Insert the tenon (C) into the corresponding holes in part 4 as shown, then secure part 1 with screws (D).

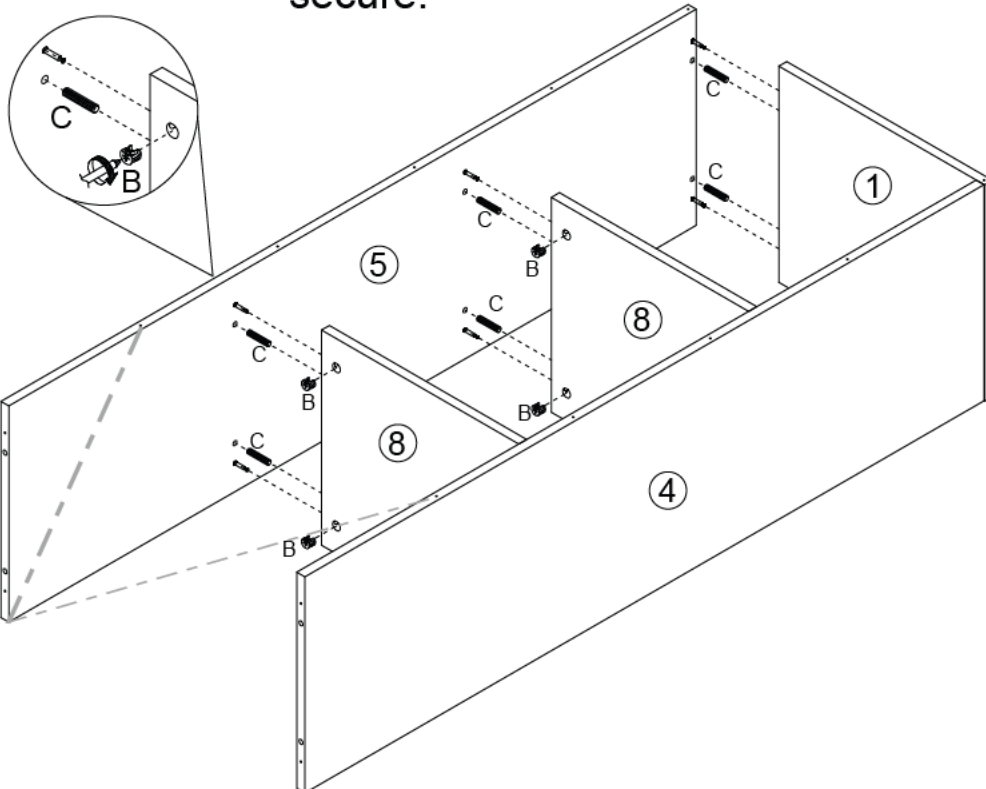


4



Insert the tenon (C) into the corresponding hole in part 5 as shown. Then, insert the cam locator (B) into the corresponding hole in parts 1 and 8 and rotate it clockwise to secure.

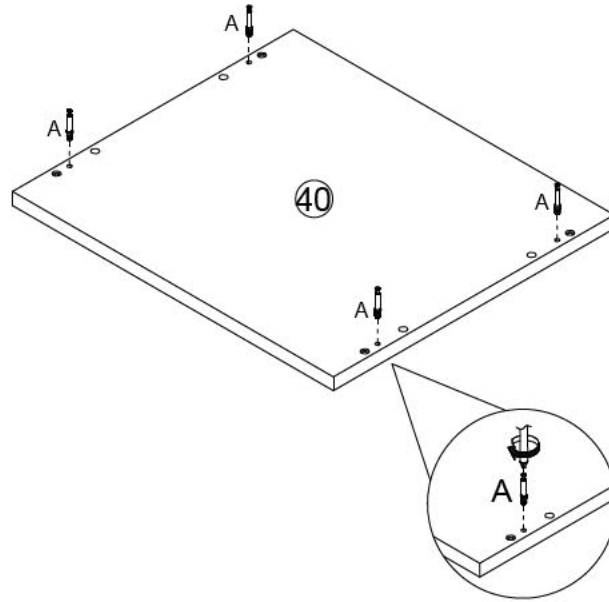
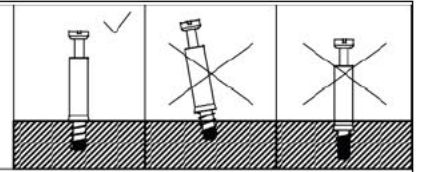
Please note:
This is the backplane mounting guide hole. Please ensure that it is facing the same direction during installation. Subsequent installations should follow the same orientation.



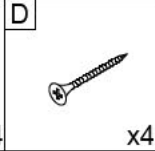
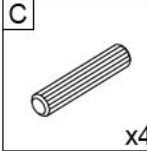
5



Tighten the screws (A) into the corresponding holes in part 40, making sure to lock them vertically, and do the same for the following steps!

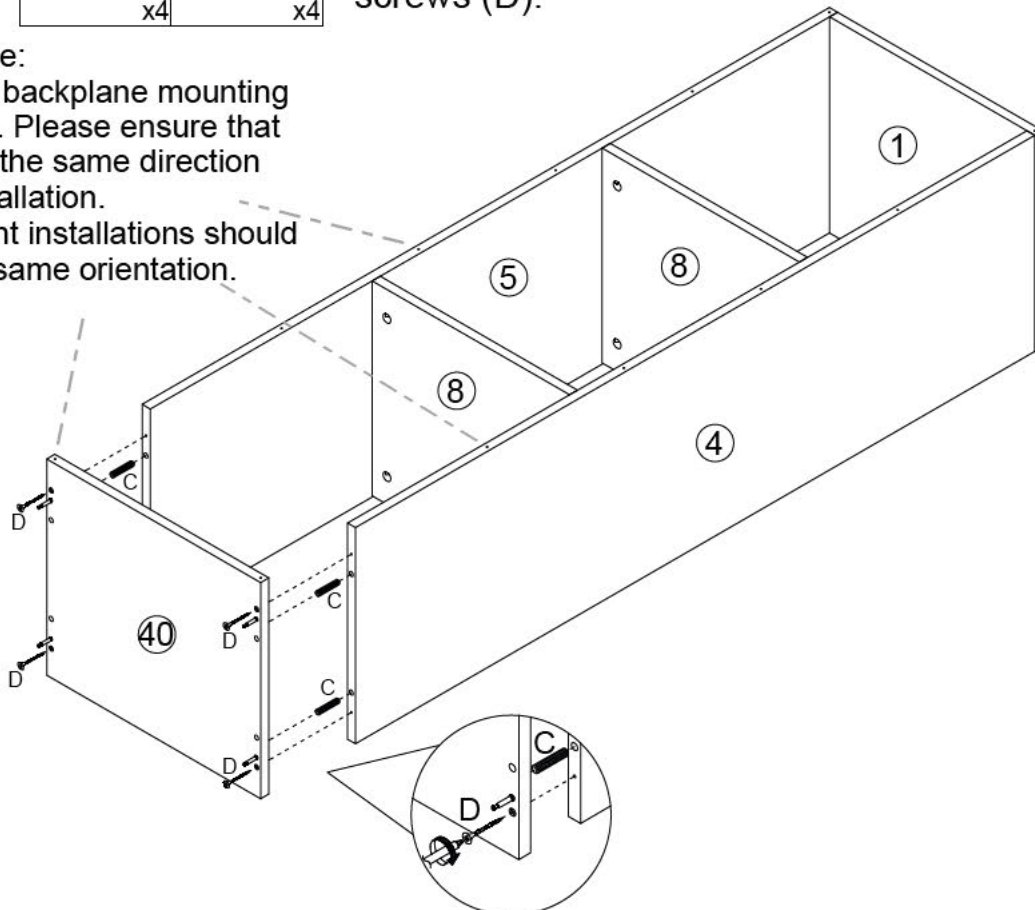


6

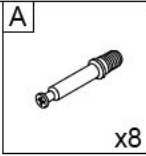


Insert the tenon (C) into the corresponding holes in parts 4 and 5 as shown, then secure part 40 with screws (D).

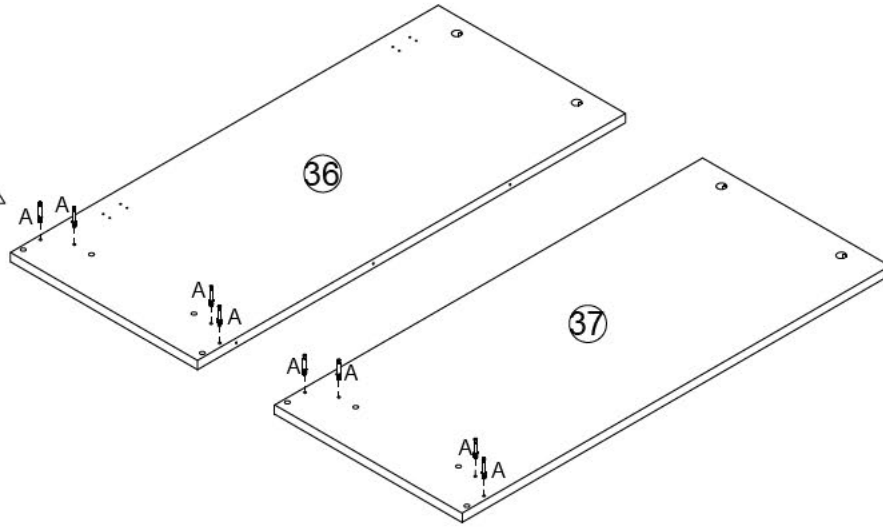
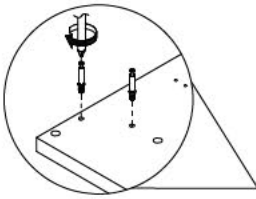
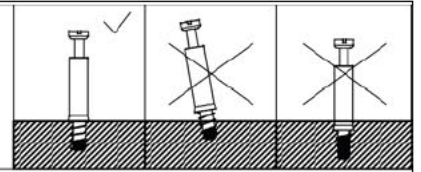
Please note:
This is the backplane mounting guide hole. Please ensure that it is facing the same direction during installation.
Subsequent installations should follow the same orientation.



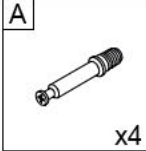
7



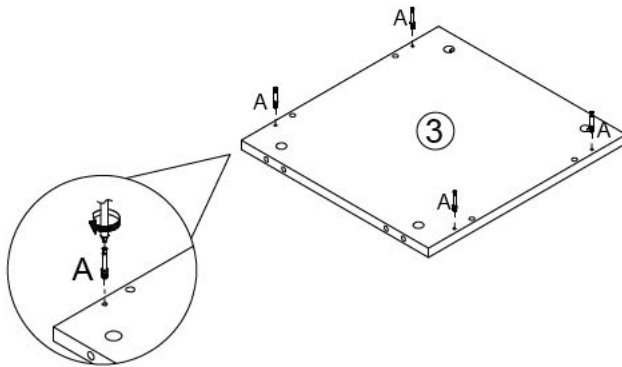
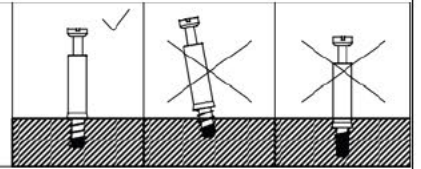
Tighten the screws (A) into the corresponding holes in part 36 and 37, ensuring they are locked vertically.



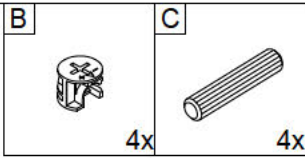
8



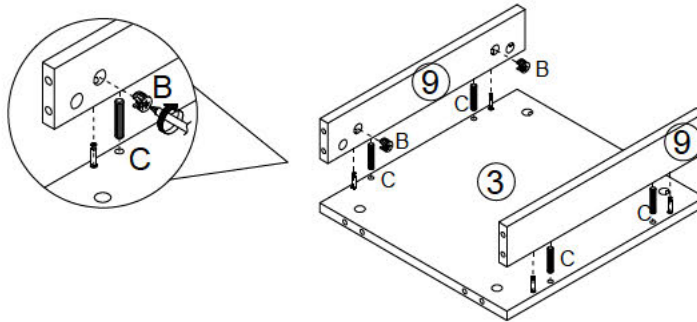
Tighten the screws (A) into the corresponding holes in part 3, ensuring they are locked vertically.



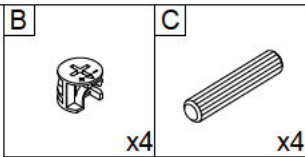
9



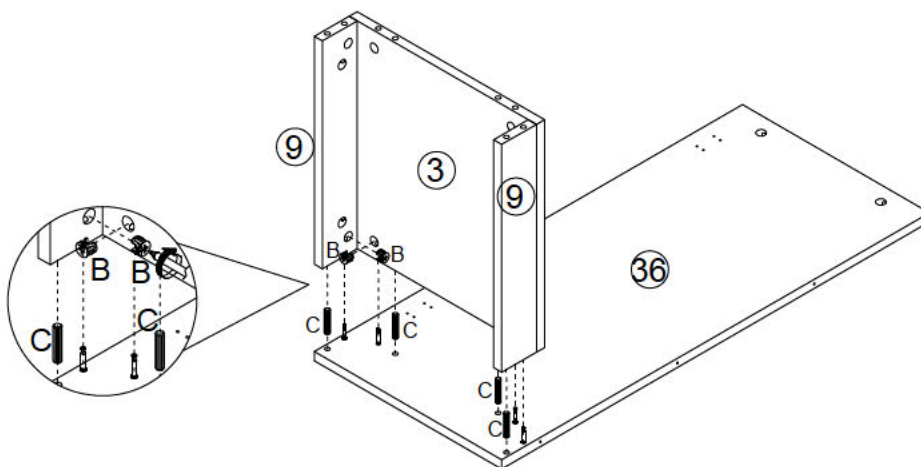
Insert the tenon (C) into the corresponding hole in part 3 as shown. Then, insert the cam locator (B) into the corresponding hole in part 9 rotate it clockwise to secure.



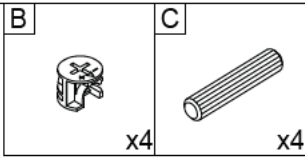
10



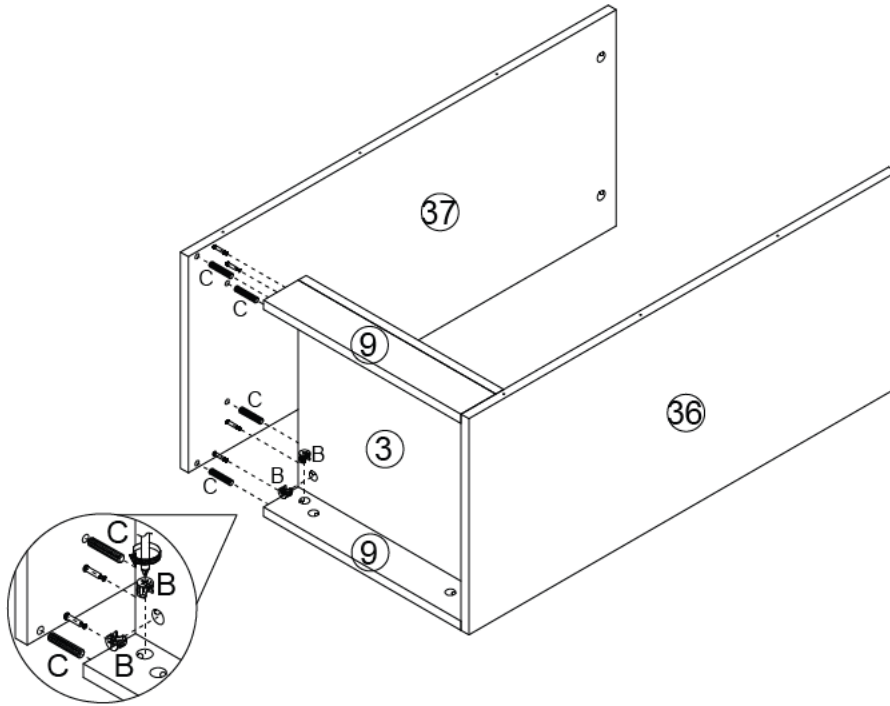
Insert the tenon (C) into the corresponding hole in part 36 as shown. Then, insert the cam locator (B) into the corresponding hole in parts 3 and 9 rotate it clockwise to secure.



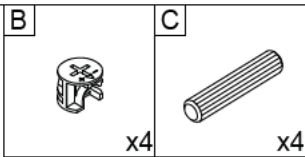
11



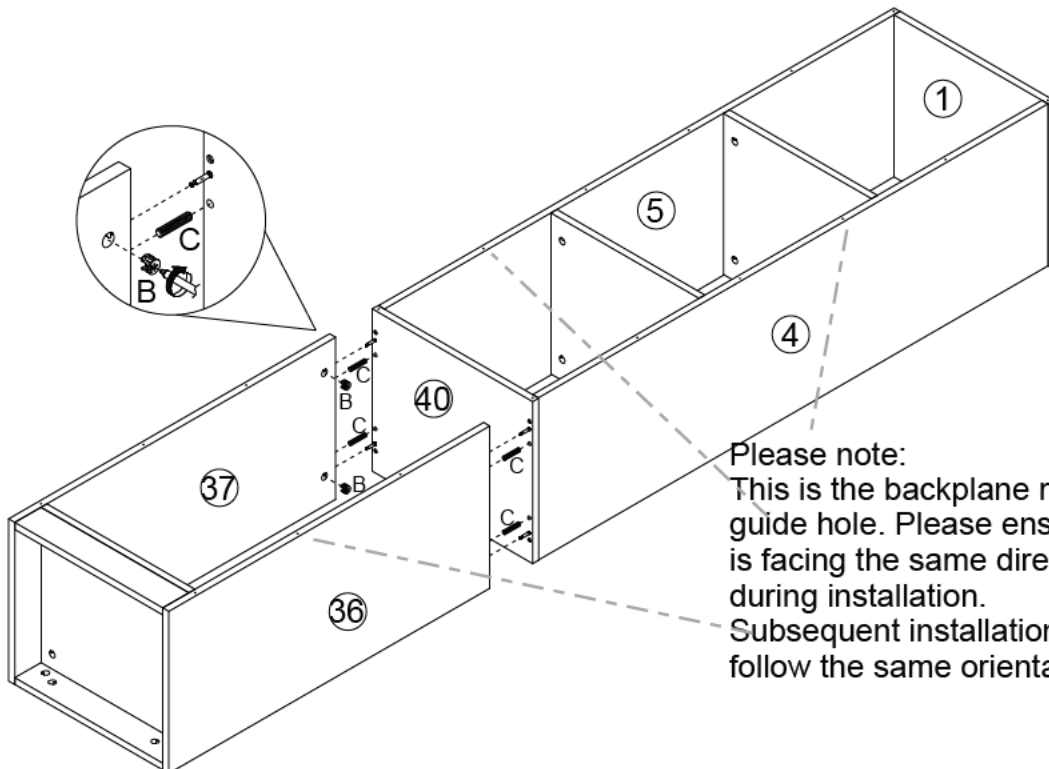
Insert the tenon (C) into the corresponding hole in part 37 as shown. Then, insert the cam locator (B) into the corresponding hole in parts 3 and 9 rotate it clockwise to secure.



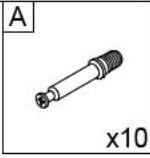
12



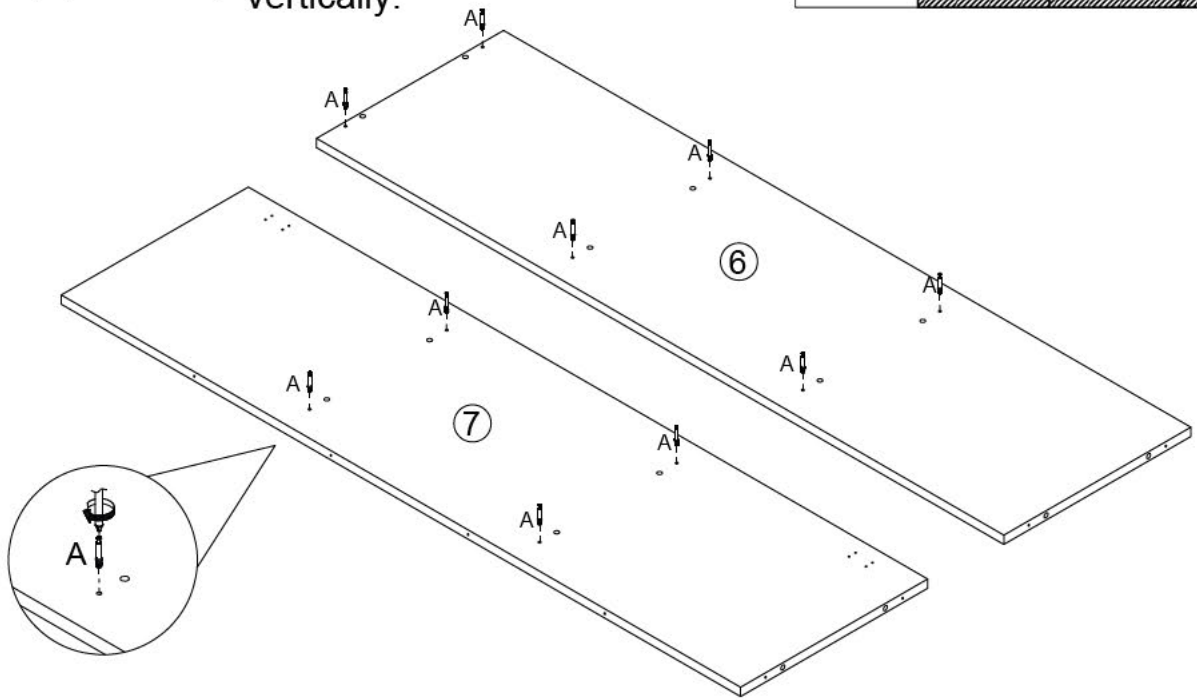
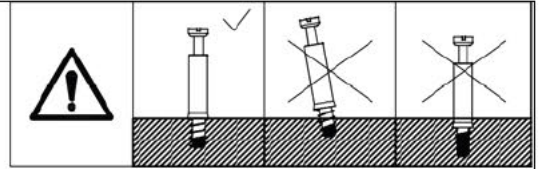
Insert the tenon (C) into the corresponding hole in part 40 as shown. Then, insert the cam locator (B) into the corresponding holes in parts 36 and 37 and rotate it clockwise to secure.



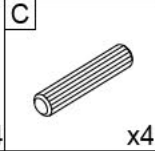
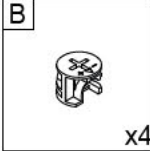
13



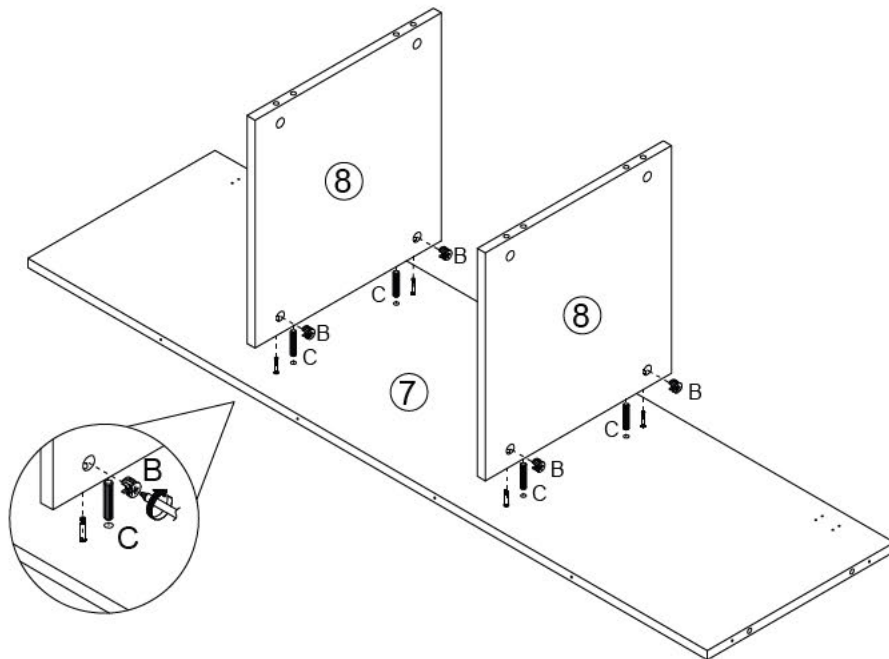
Tighten the screws (A) into the corresponding holes in parts 6 and 7, ensuring they are locked vertically.



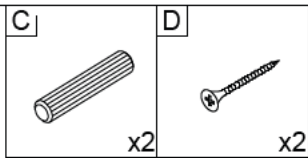
14



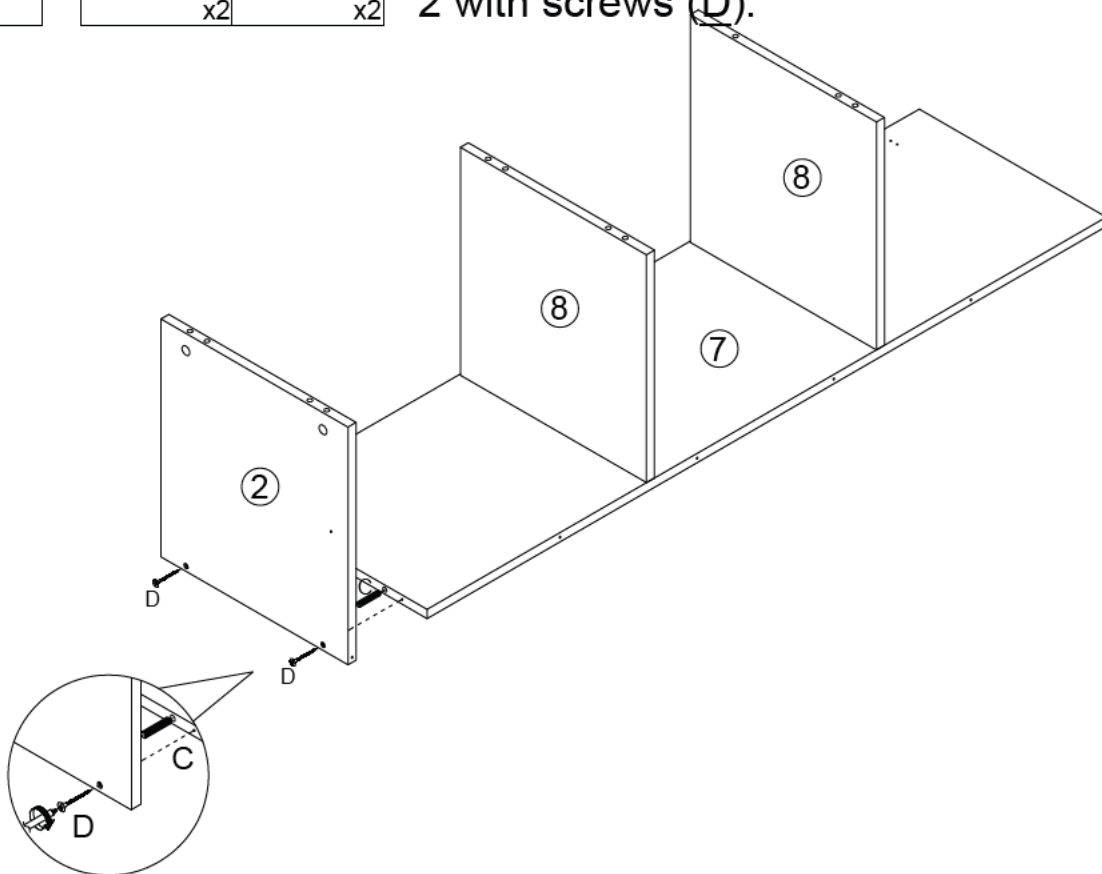
Insert the tenon (C) into the corresponding hole in part 7 as shown, then use the cam locator (B) to secure part 8 to part 7.



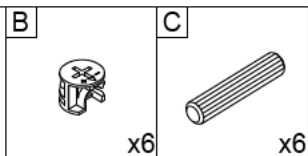
15



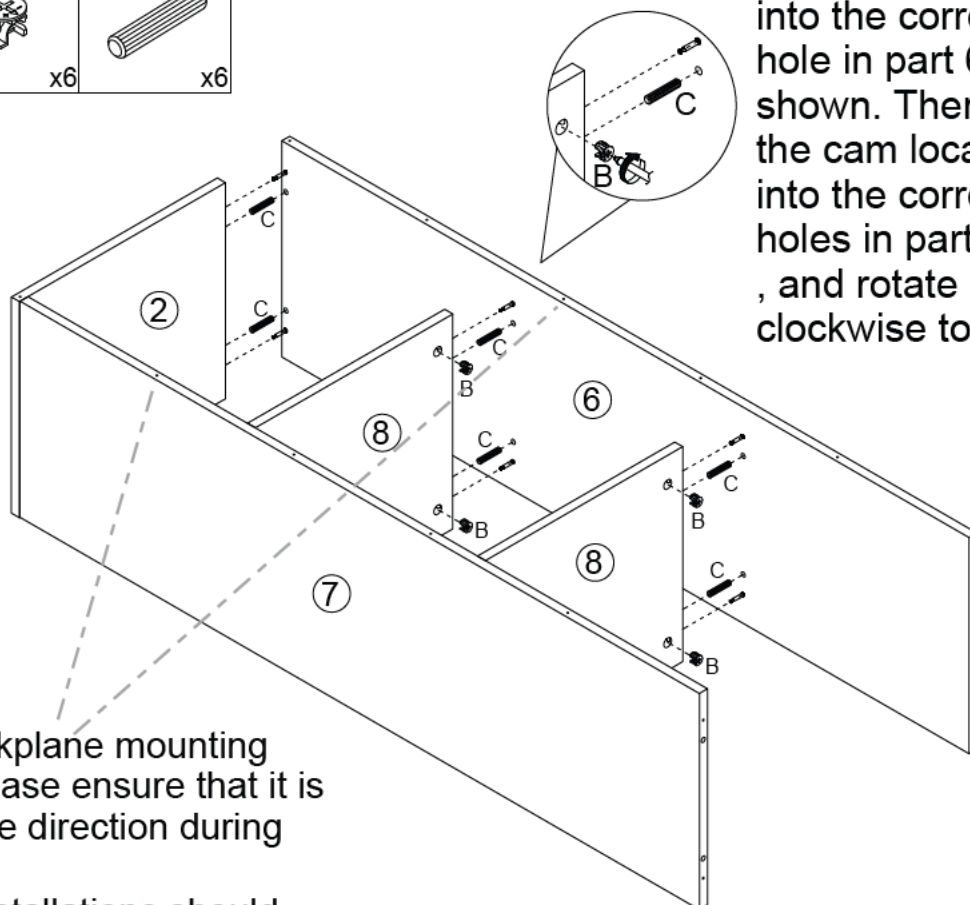
Insert the tenon (C) into the corresponding holes in part 7 as shown, and then secure part 2 with screws (D).



16



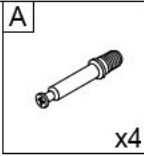
Insert the tenon (C) into the corresponding hole in part 6 as shown. Then, insert the cam locator (B) into the corresponding holes in parts 2 and 8, and rotate it clockwise to secure.



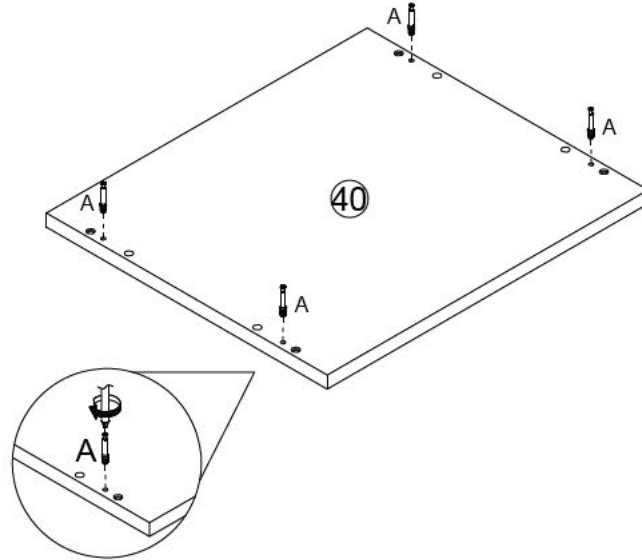
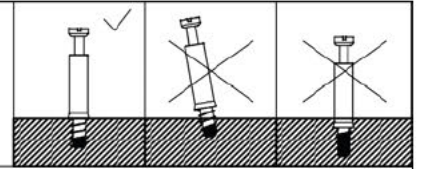
Please note:
This is the backplane mounting guide hole. Please ensure that it is facing the same direction during installation.
Subsequent installations should follow the same orientation.

15

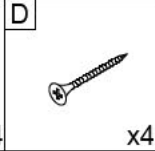
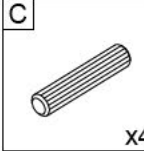
17



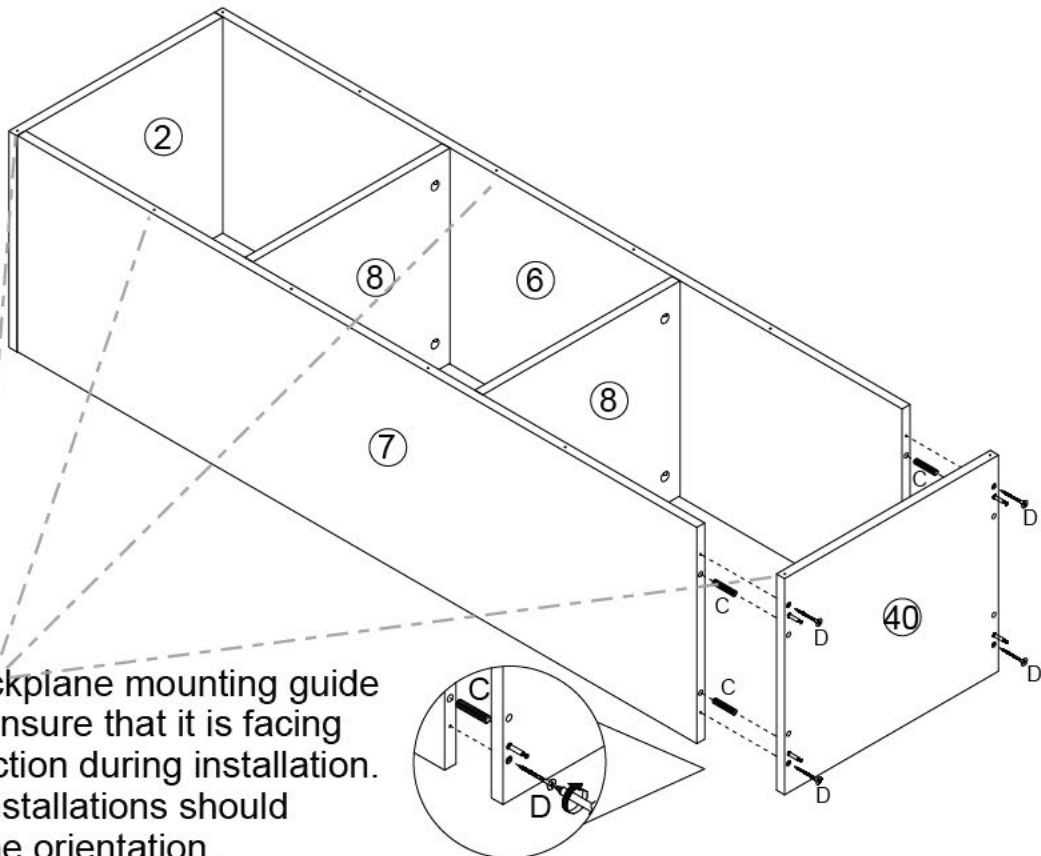
Tighten the screws (A) into the corresponding holes in part 40, ensuring they are locked vertically.



18

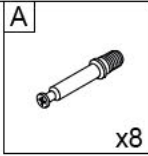


Insert tenon (C) into the corresponding holes in parts 6 and 7 as shown. Then, secure part 40 using screws (D).

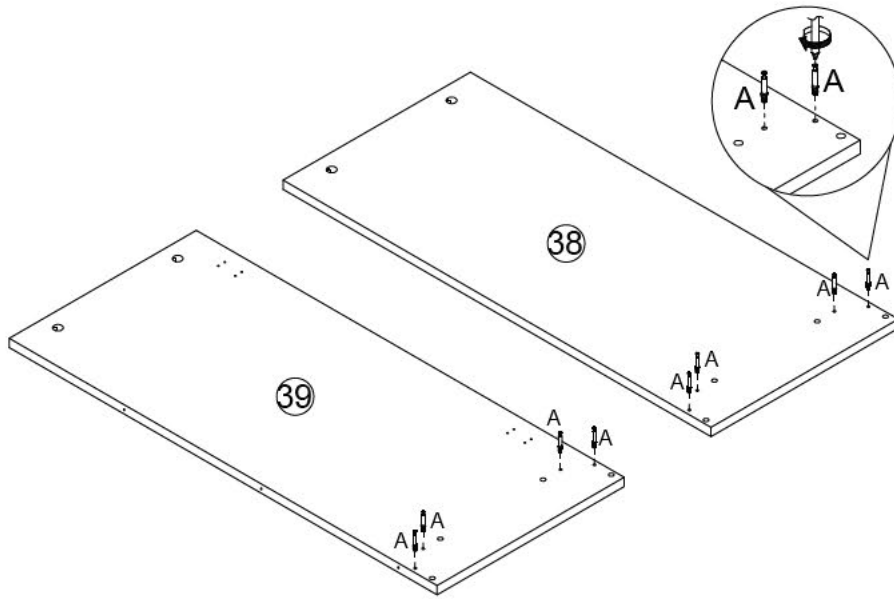
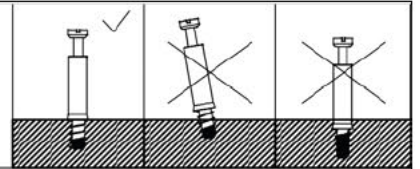


Please note:
This is the backplane mounting guide hole. Please ensure that it is facing the same direction during installation. Subsequent installations should follow the same orientation.

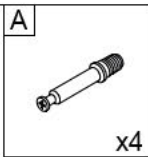
19



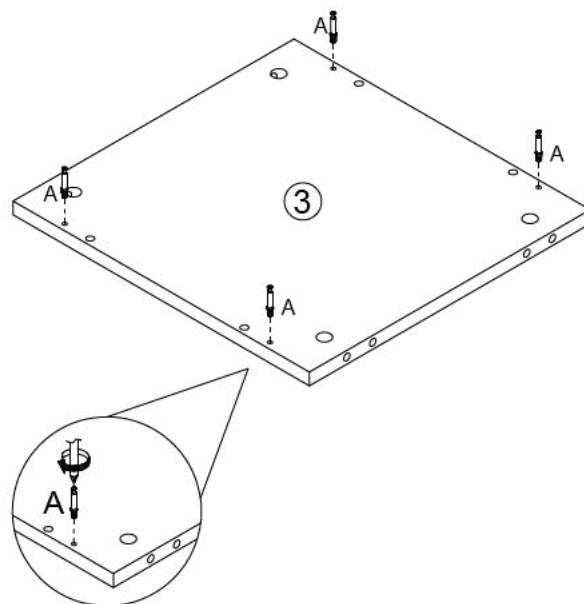
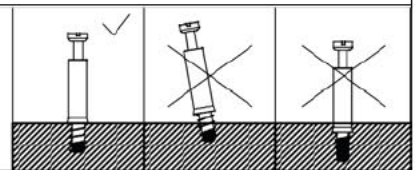
Tighten screws (A) into the corresponding holes in part 38 and 39, ensuring they are locked vertically.



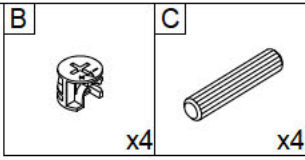
20



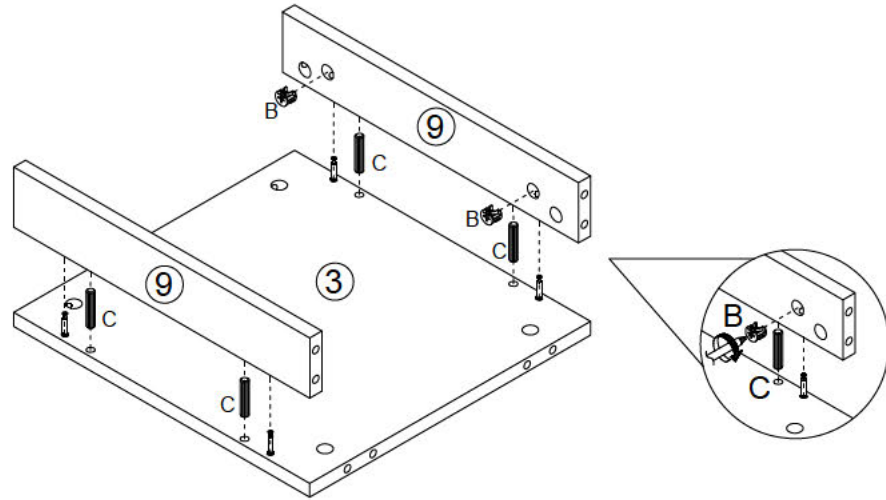
Tighten screws (A) into the corresponding holes in part 3, ensuring they are locked vertically.



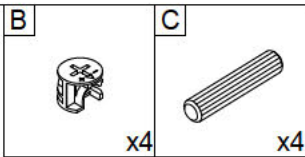
21



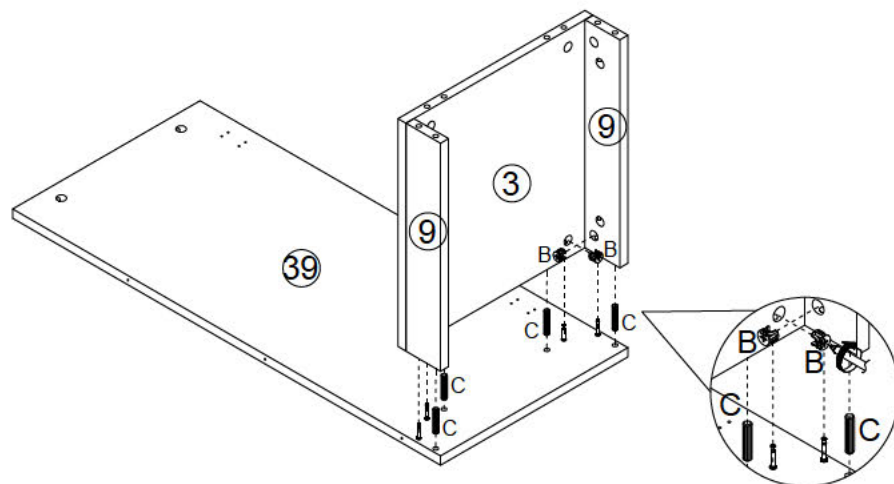
Insert tenon (C) into the corresponding hole in part 3 as shown. Then, insert the cam locator (B) into the corresponding hole in part 9, and rotate it clockwise to secure.



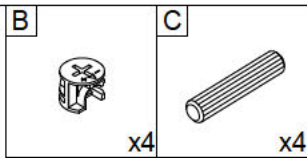
22



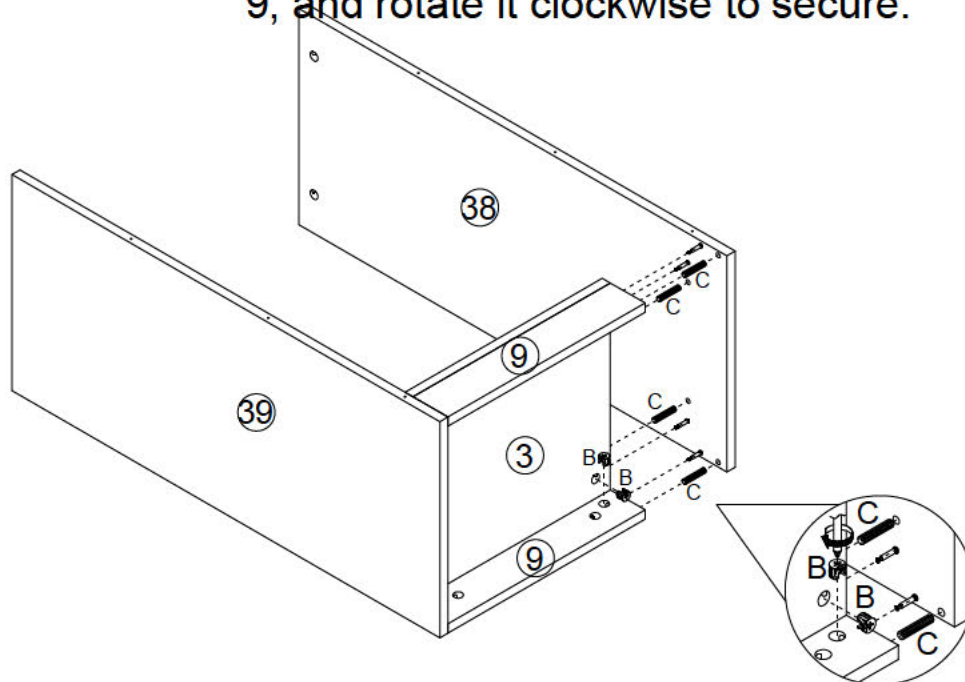
Insert tenon (C) into the corresponding hole in part 39 as shown. Then, insert the cam locator (B) into the corresponding holes in parts 3 and 9, and rotate it clockwise to secure.



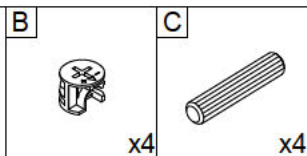
23



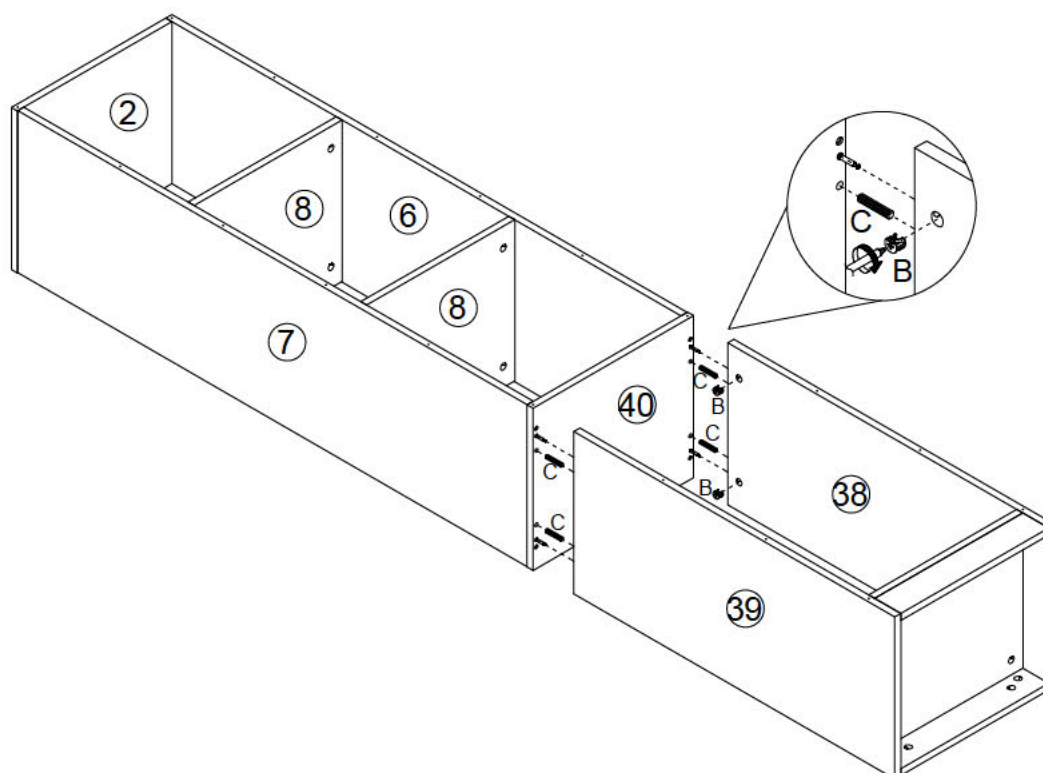
Insert tenon (C) into the corresponding hole in part 38 as shown. Then, insert the cam locator (B) into the corresponding holes in parts 3 and 9, and rotate it clockwise to secure.



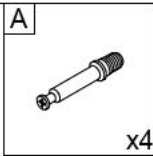
24



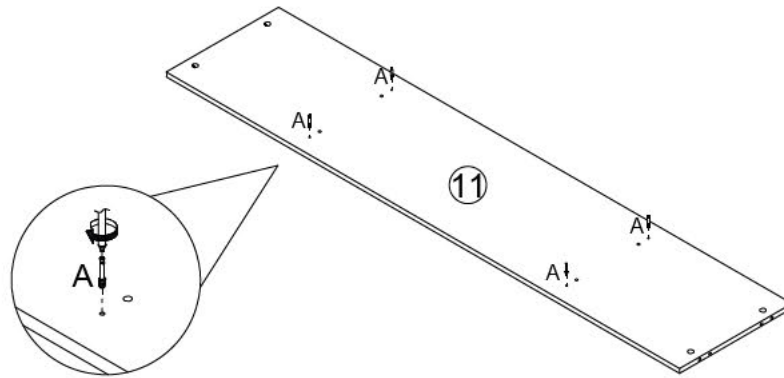
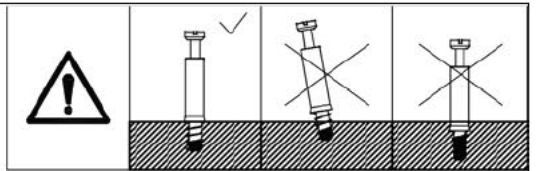
Insert tenon (C) into the corresponding hole in part 40 as shown. Then, insert the cam locator (B) into the corresponding holes in parts 38 and 39, and rotate it clockwise to secure.



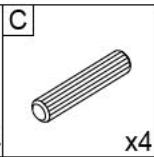
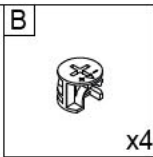
25



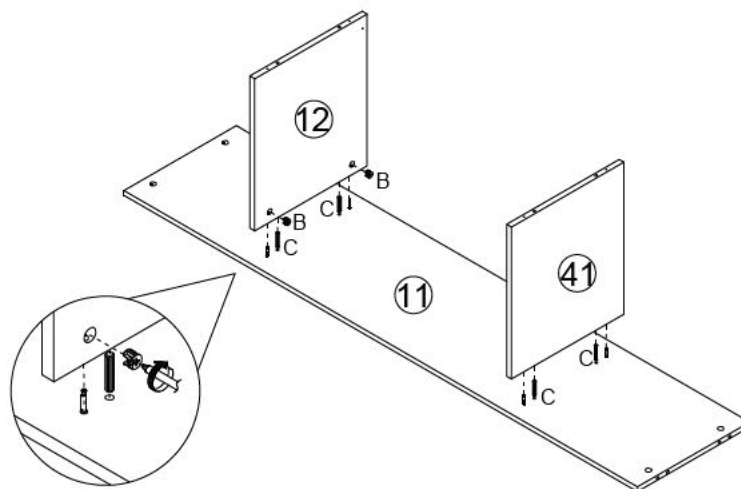
Tighten screws (A) into the corresponding holes in part 11, ensuring they are locked vertically.



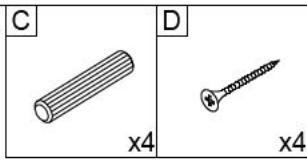
26



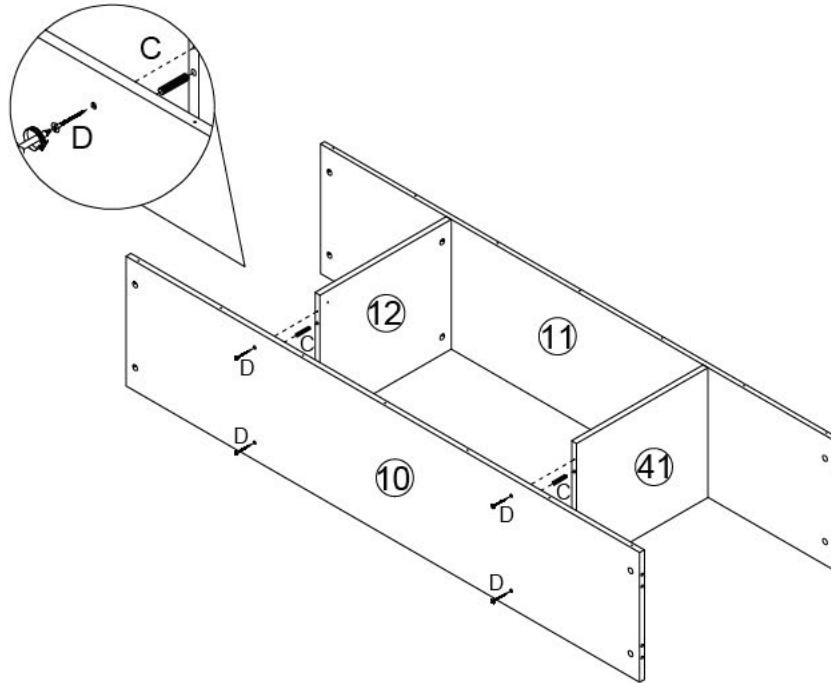
Insert the tenon (C) into the corresponding hole in part 11 as shown, then use the cam locator (B) to secure part 12 and 41 to part 11.



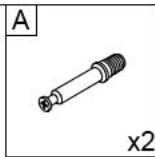
27



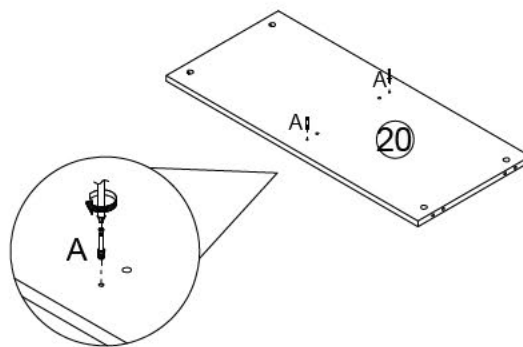
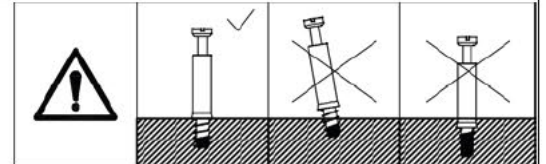
Insert tenon (C) into the corresponding holes in part 12 and 41 as shown, and then secure part 10 with screws (D).



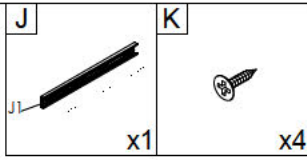
28



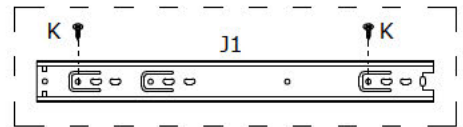
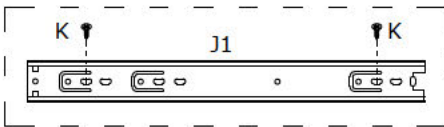
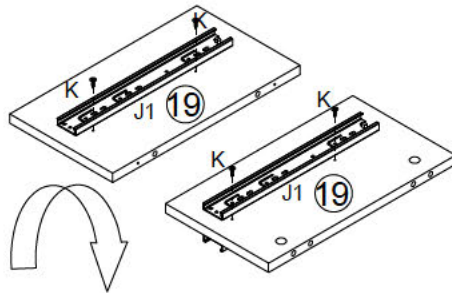
Tighten screws (A) into the corresponding holes in part 20, ensuring they are locked vertically.



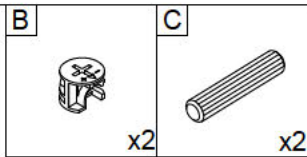
29



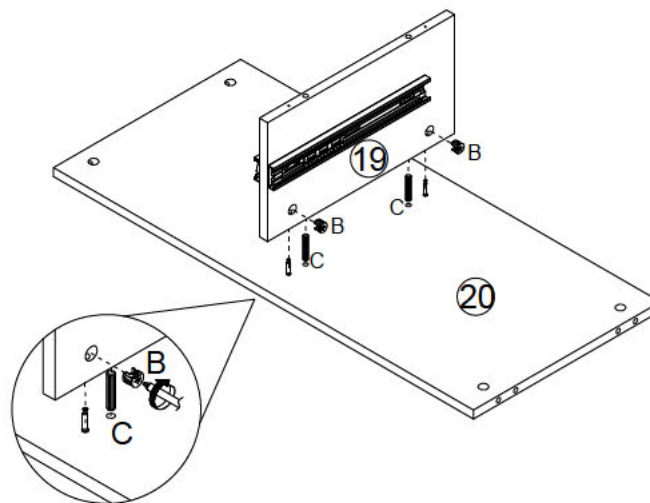
Secure part (J1) to part 19 using screws (K). Then, flip one side over to the other and repeat the process, making sure to check the corresponding holes in the picture!



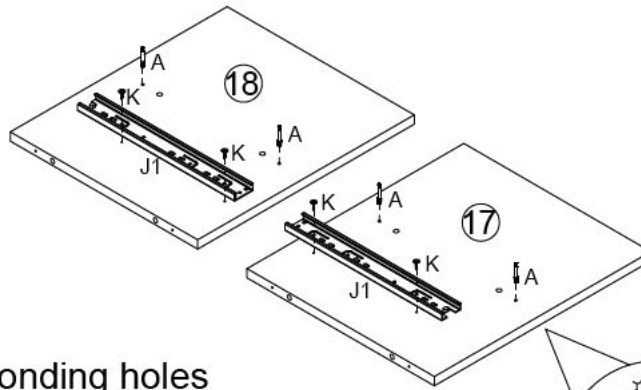
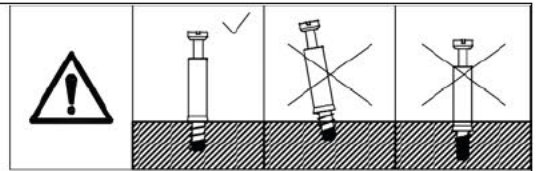
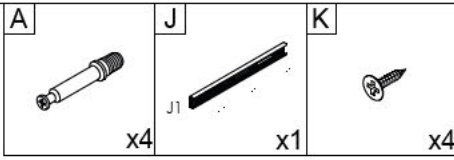
30



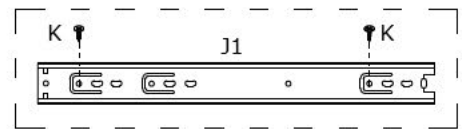
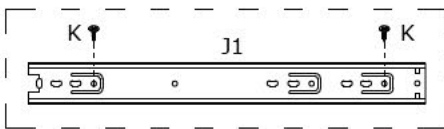
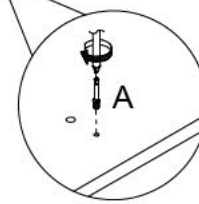
Insert tenon (C) into the corresponding hole in part 20 as shown. Then, insert the cam locator (B) into the corresponding holes in parts 19, and rotate it clockwise to secure.



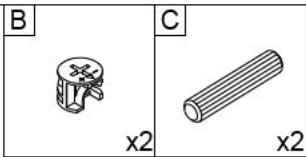
31



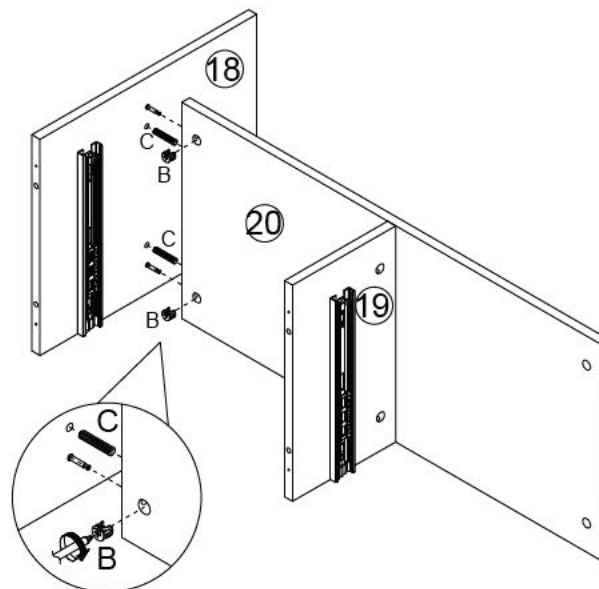
Screw (A) into corresponding holes in parts 17 and 18. Then secure part (J1) to parts 17 and 18 with screws (K), making sure to note corresponding holes.



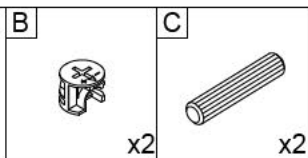
32



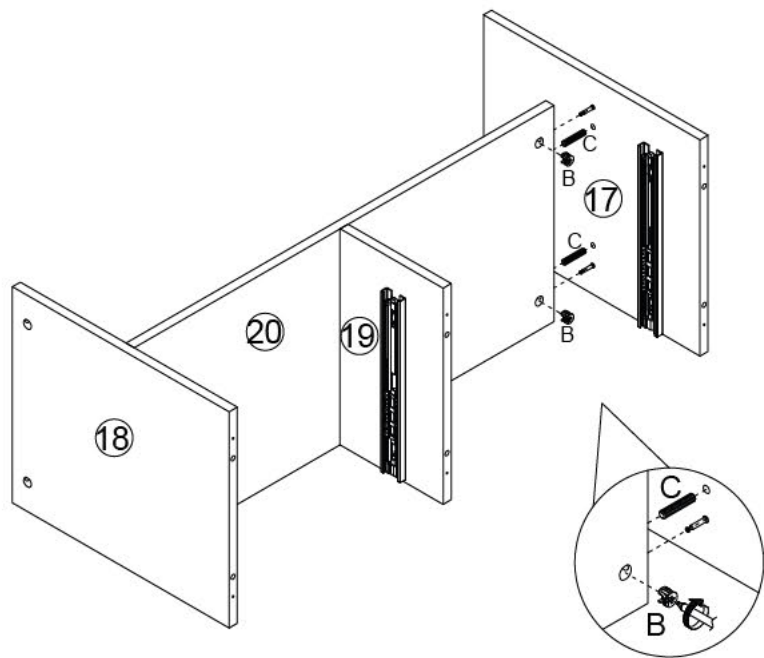
Insert tenon (C) into the corresponding hole in part 20 as shown. Then, insert the cam locator (B) into the corresponding holes in parts 18, and rotate it clockwise to secure.



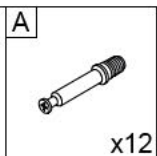
33



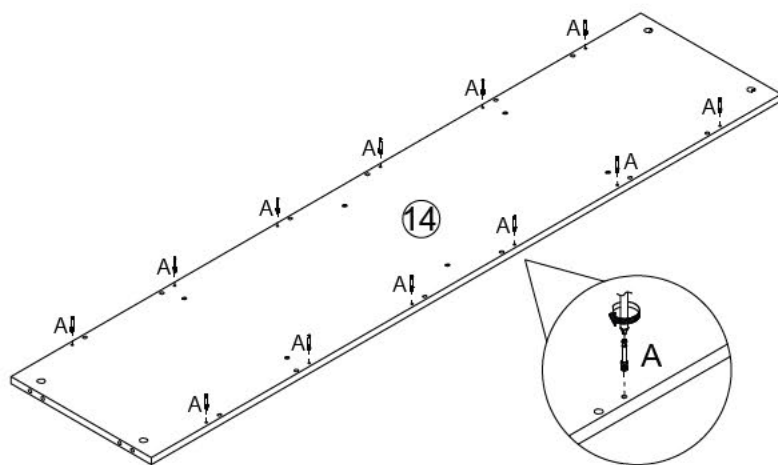
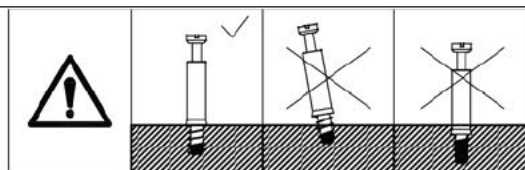
Insert tenon (C) into the corresponding hole in part 20 as shown. Then, insert the cam locator (B) into the corresponding holes in parts 17, and rotate it clockwise to secure.



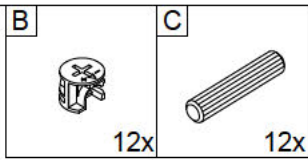
34



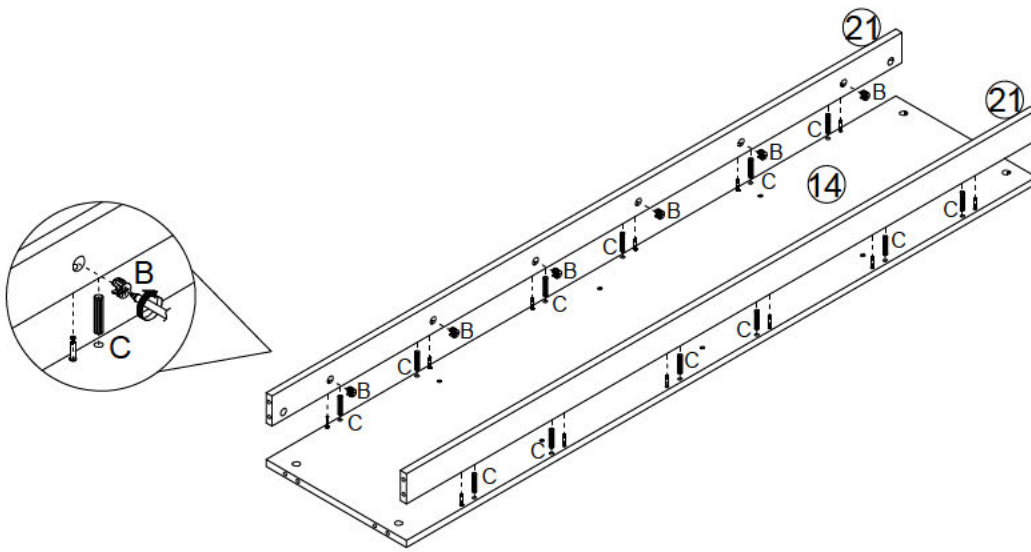
Tighten screws (A) into the corresponding holes in part 14, ensuring they are locked vertically.



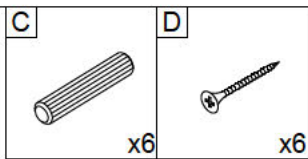
35



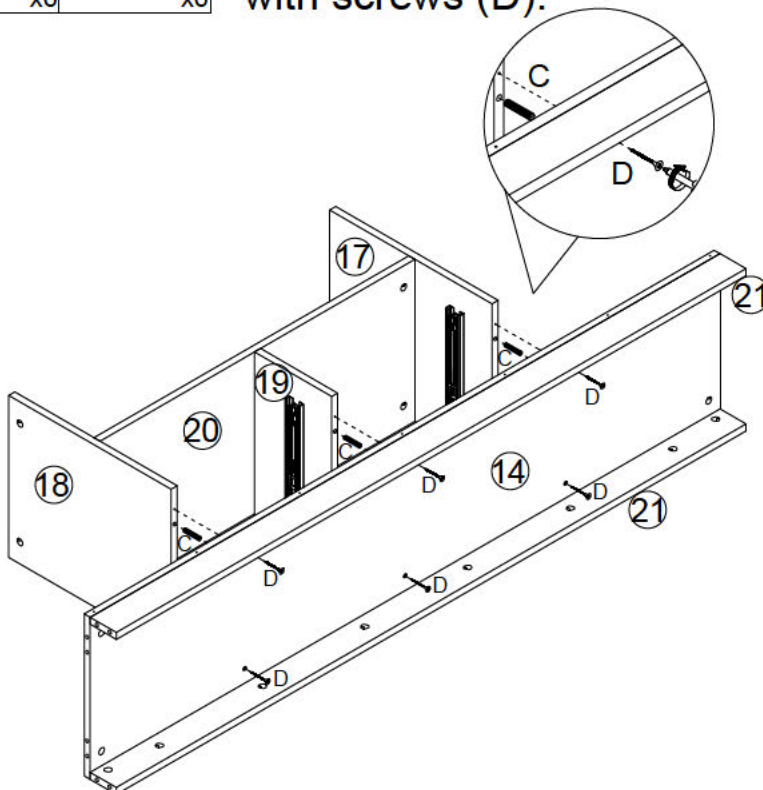
Insert tenon (C) into the corresponding hole in part 14 as shown. Then, insert the cam locator (B) into the corresponding holes in parts 21, and rotate it clockwise to secure.



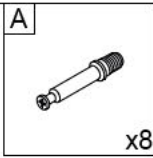
36



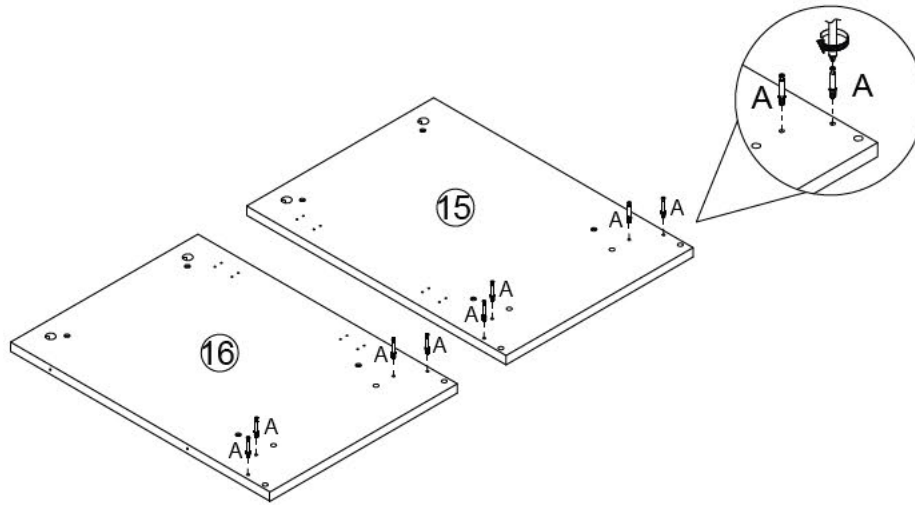
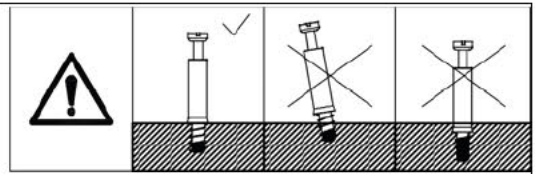
Insert tenons (C) into corresponding holes in parts 17, 18, and 19 as shown. Then secure with screws (D).



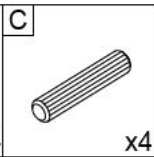
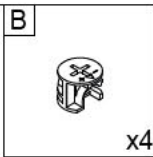
37



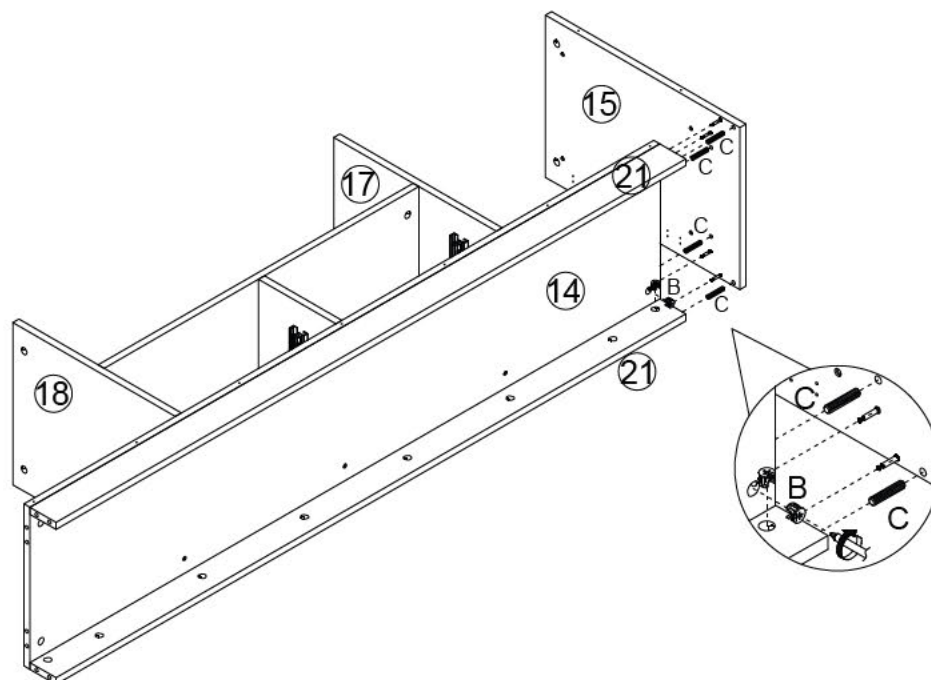
Tighten screws (A) into the corresponding holes in parts 15 and 16, ensuring they are locked vertically.



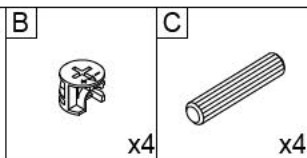
38



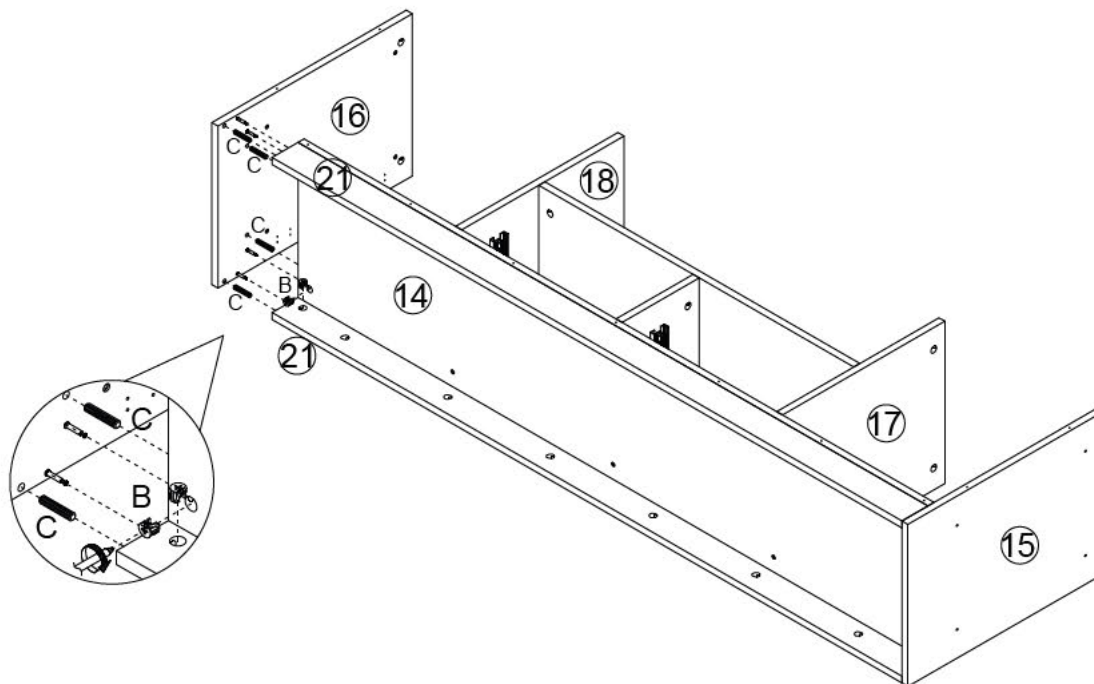
Insert the tenon (C) into the corresponding hole in Part 15 as shown. Then, insert the cam locator (B) into the corresponding holes in Parts 21 and 14, and rotate it clockwise to secure it.



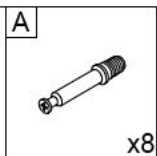
39



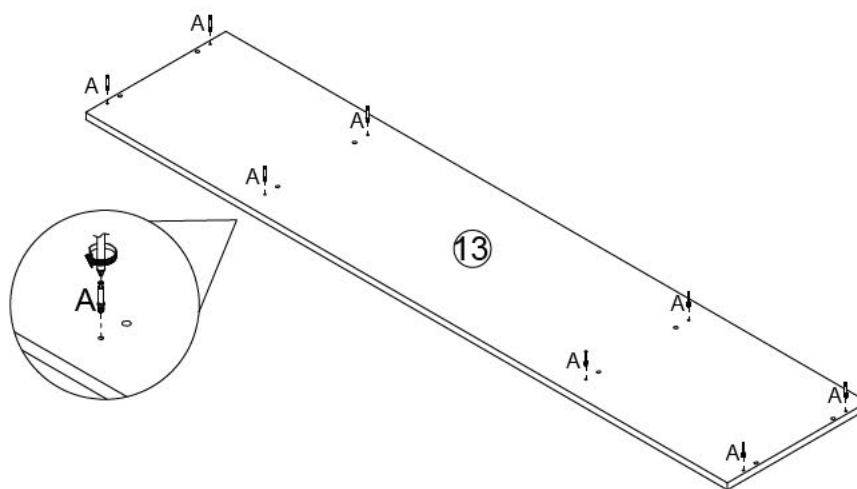
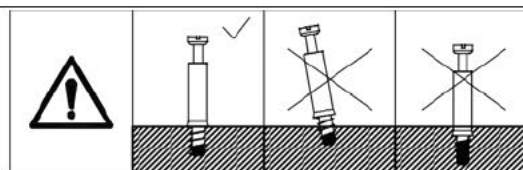
Insert the tenon (C) into the corresponding hole in Part 16 as shown. Then, insert the cam locator (B) into the corresponding holes in Parts 21 and 14, and rotate it clockwise to secure it.



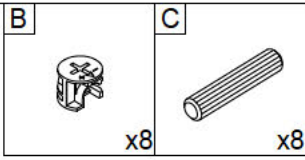
40



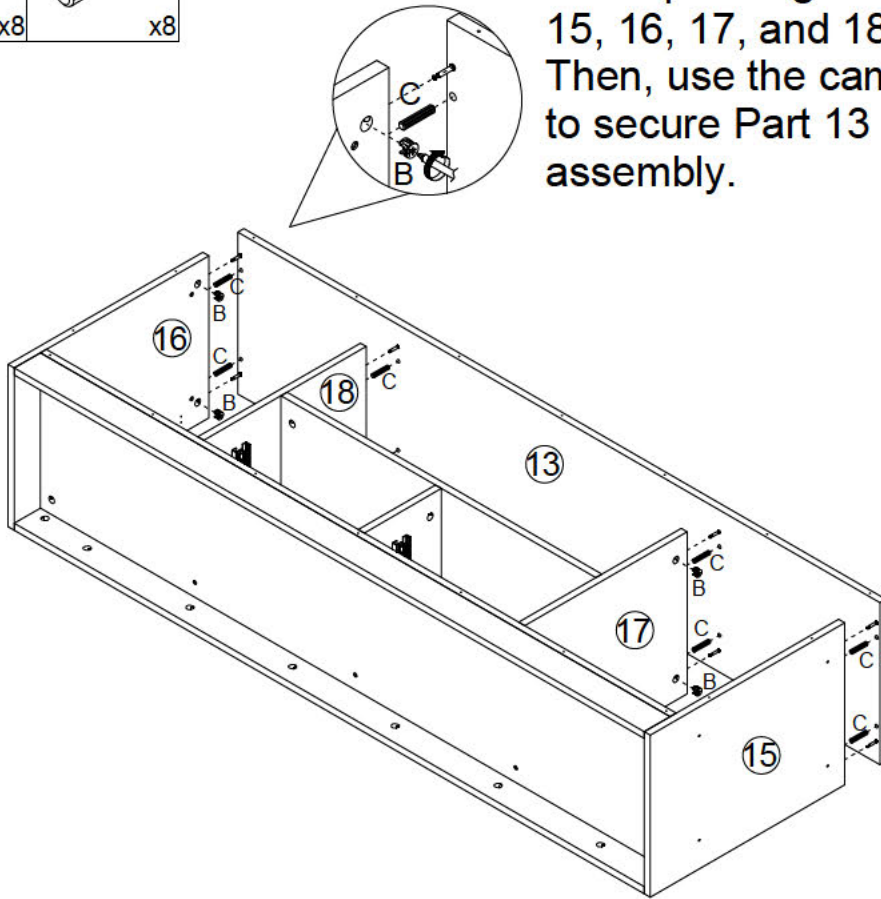
Tighten screws (A) into the corresponding holes in parts 13, ensuring they are locked vertically.



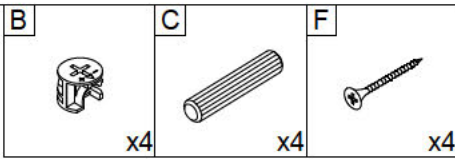
41



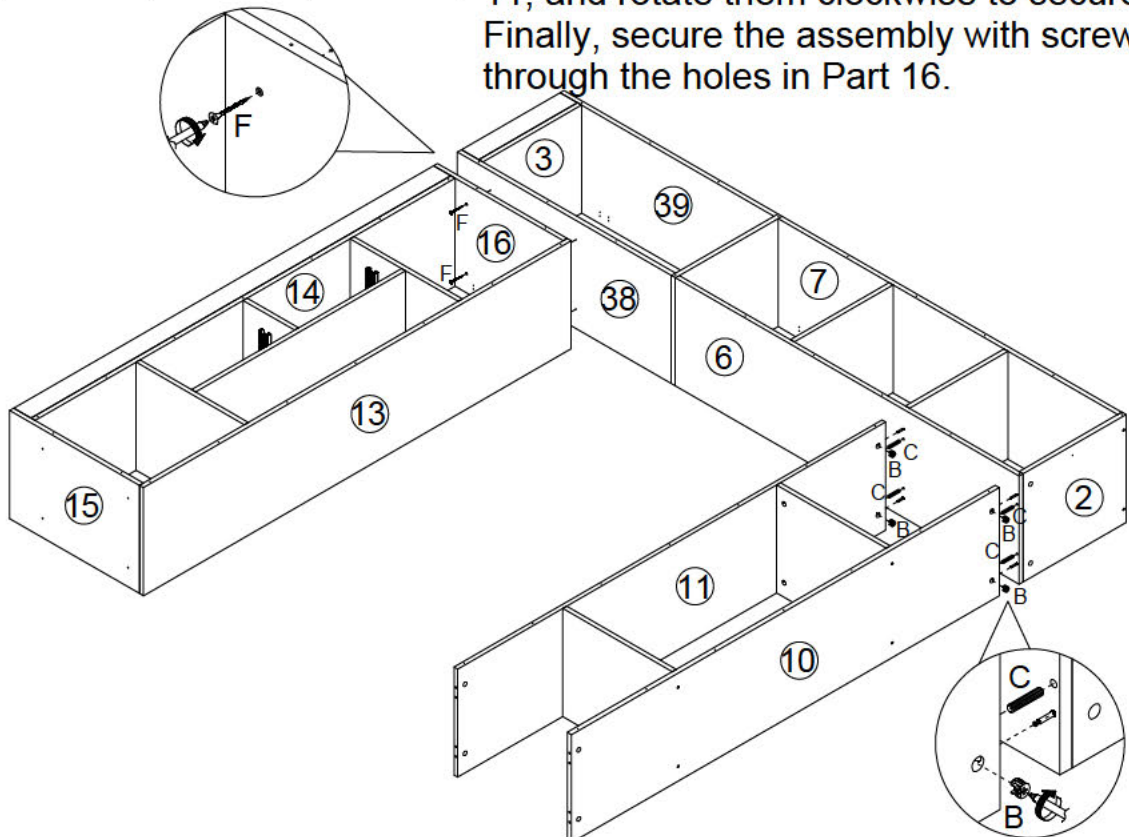
Insert the tenons (C) into the corresponding holes in Parts 15, 16, 17, and 18 as shown. Then, use the cam locator (B) to secure Part 13 to the assembly.



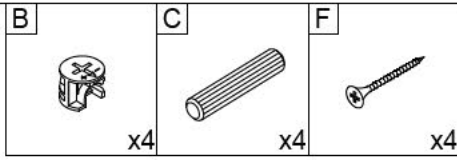
42



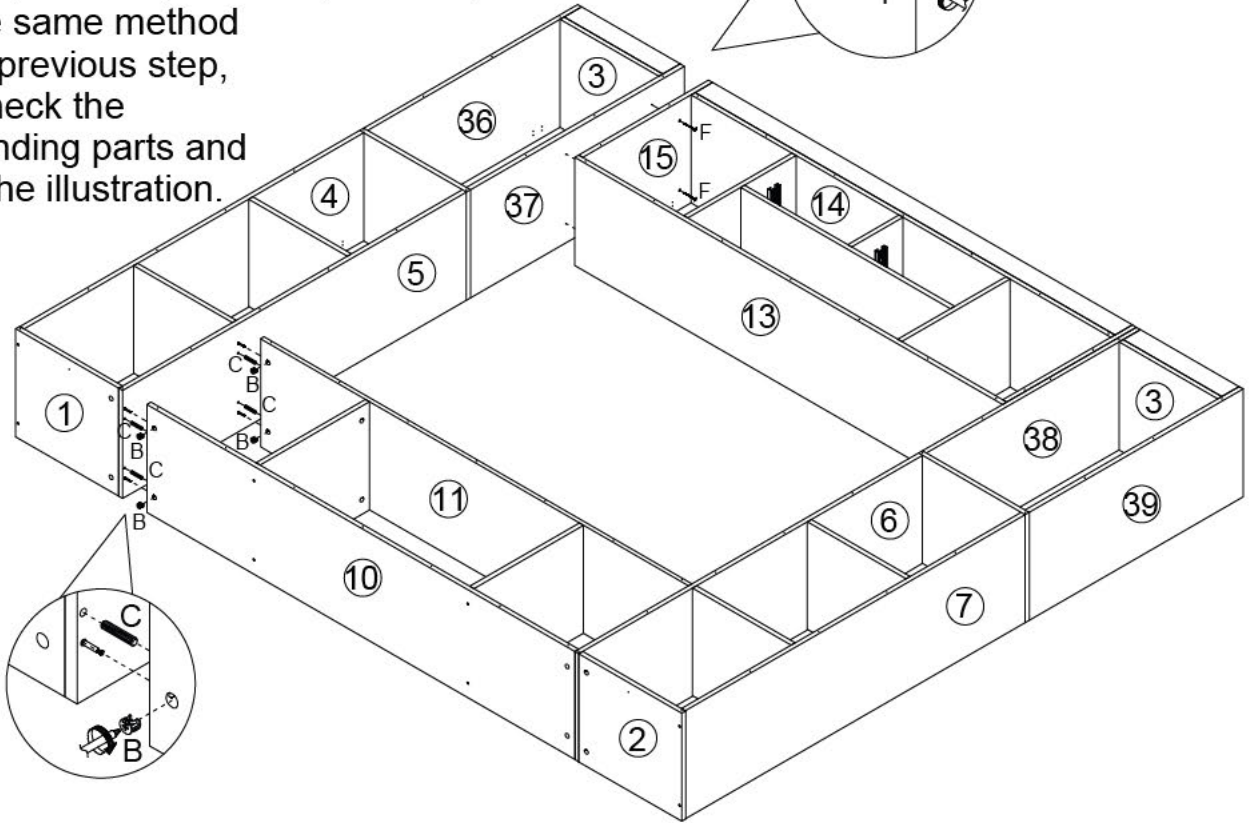
Insert the pin (C) into the corresponding hole in Part 6. Next, insert the cam locators (B) into the corresponding holes in Parts 10 and 11, and rotate them clockwise to secure. Finally, secure the assembly with screws (F) through the holes in Part 16.



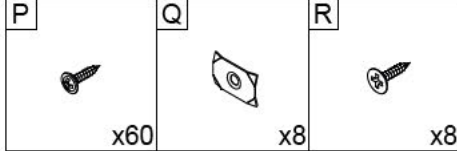
43



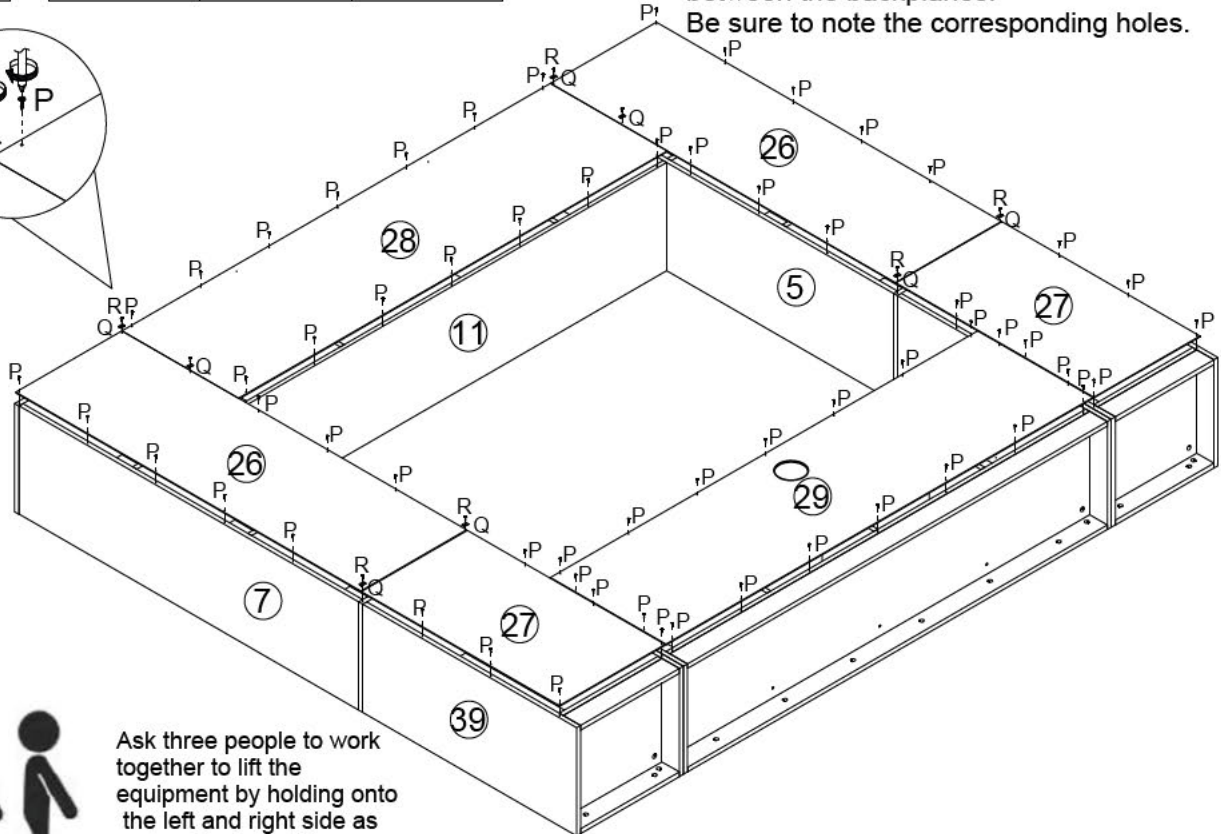
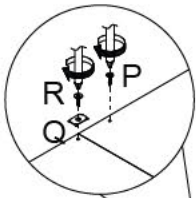
Using the same method as in the previous step, please check the corresponding parts and holes in the illustration.



44

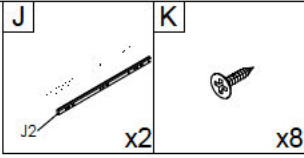


Position backplanes 26, 27, 28, and 29 in the designated locations as shown in the illustration. Use screws (P) to secure the perimeter. Use screws (R and Q) to secure the gaps between the backplanes. Be sure to note the corresponding holes.

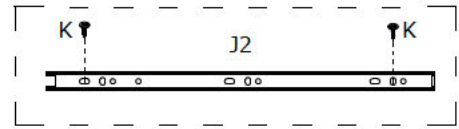
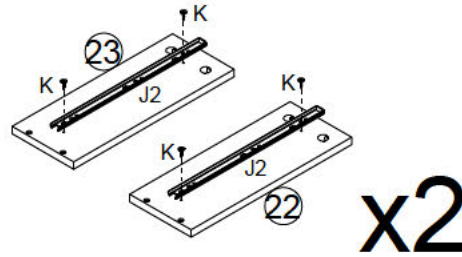


Ask three people to work together to lift the equipment by holding onto the left and right side as well as the top of the bridge at the same time.

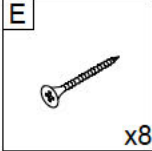
45



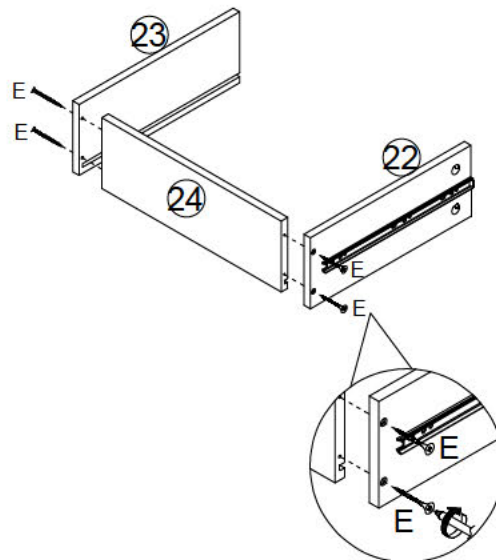
Use screws (K) to attach parts (J2) to parts 22 and 23.



46

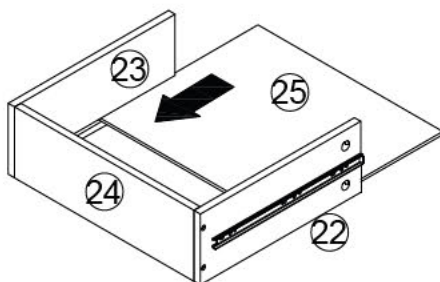


Attach and secure parts 22, 23, and 24 using screws (E) as shown.



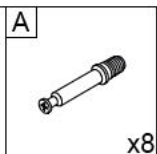
47

Insert part 25 as shown.

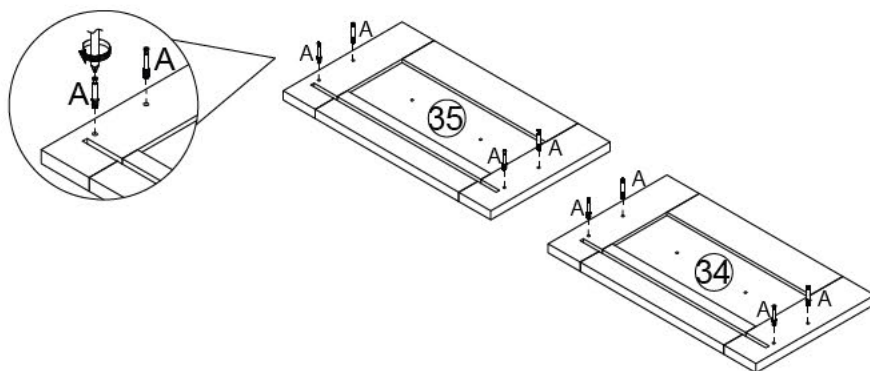
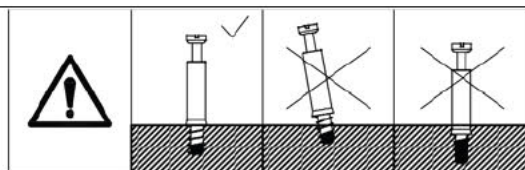


x2

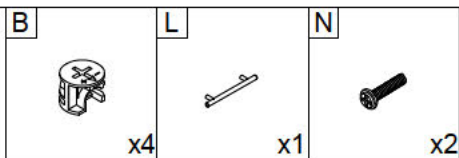
48



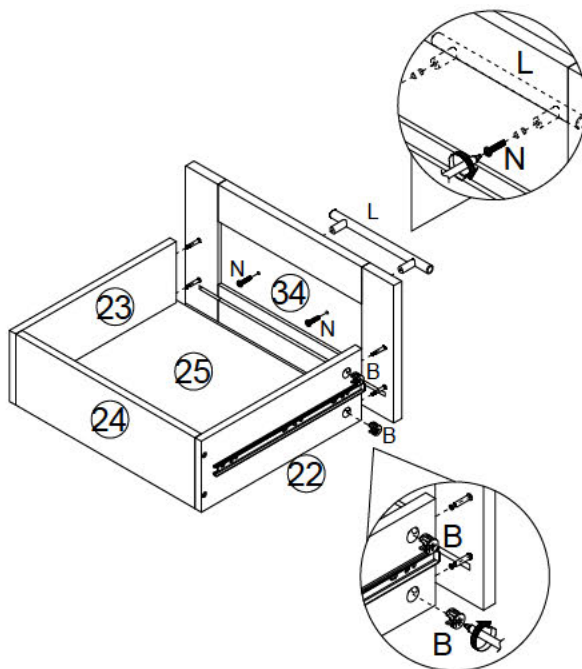
Tighten screws (A) into the corresponding holes in parts 34 and 35, ensuring they are locked vertically.



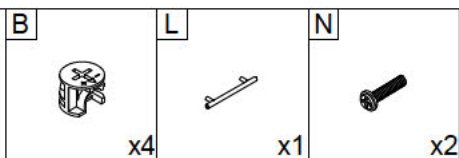
49



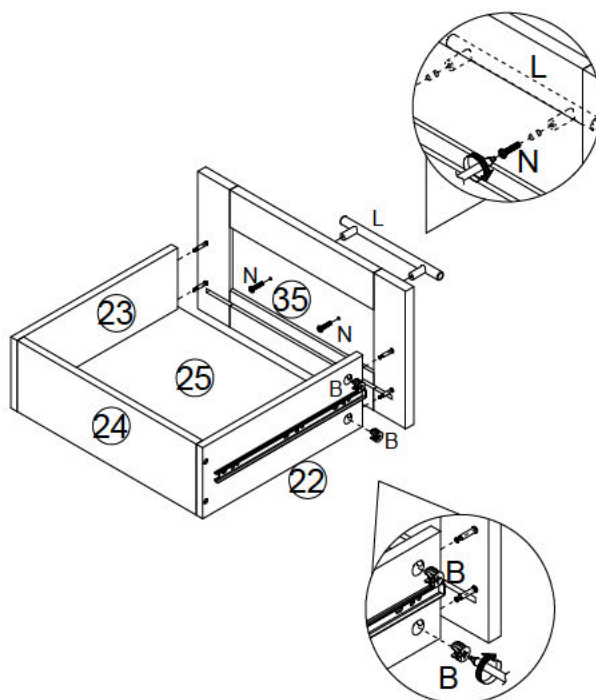
Insert the cam locator (B) into the corresponding holes in parts 22 and 23 as shown; rotate clockwise to secure it. Secure the handle (L) with screws (N).



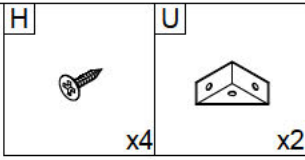
50



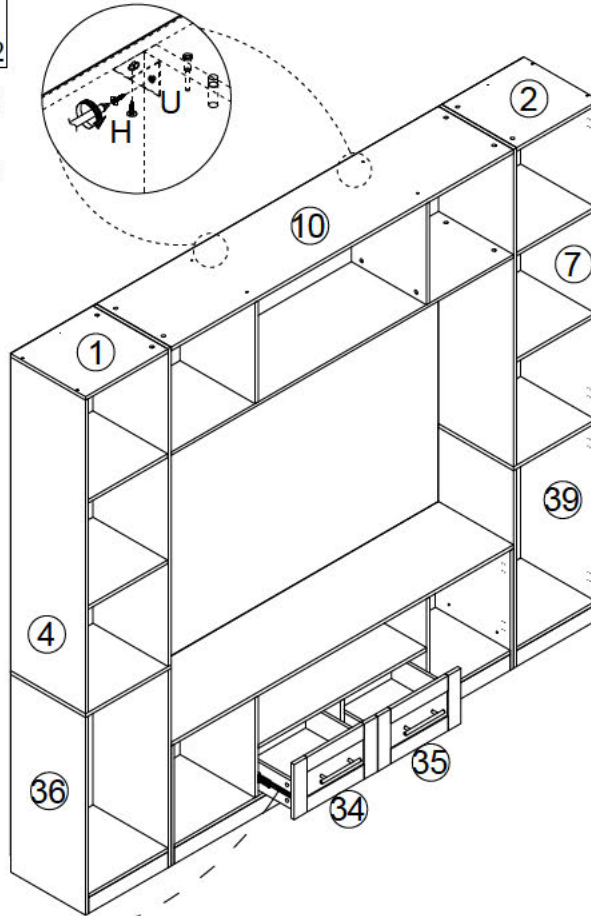
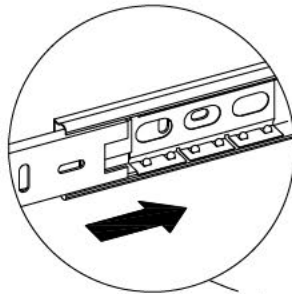
Insert the cam locator (B) into the corresponding holes in parts 22 and 23 as shown; rotate clockwise to secure it. Secure the handle (L) with screws (N).



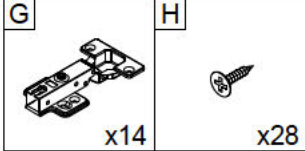
51



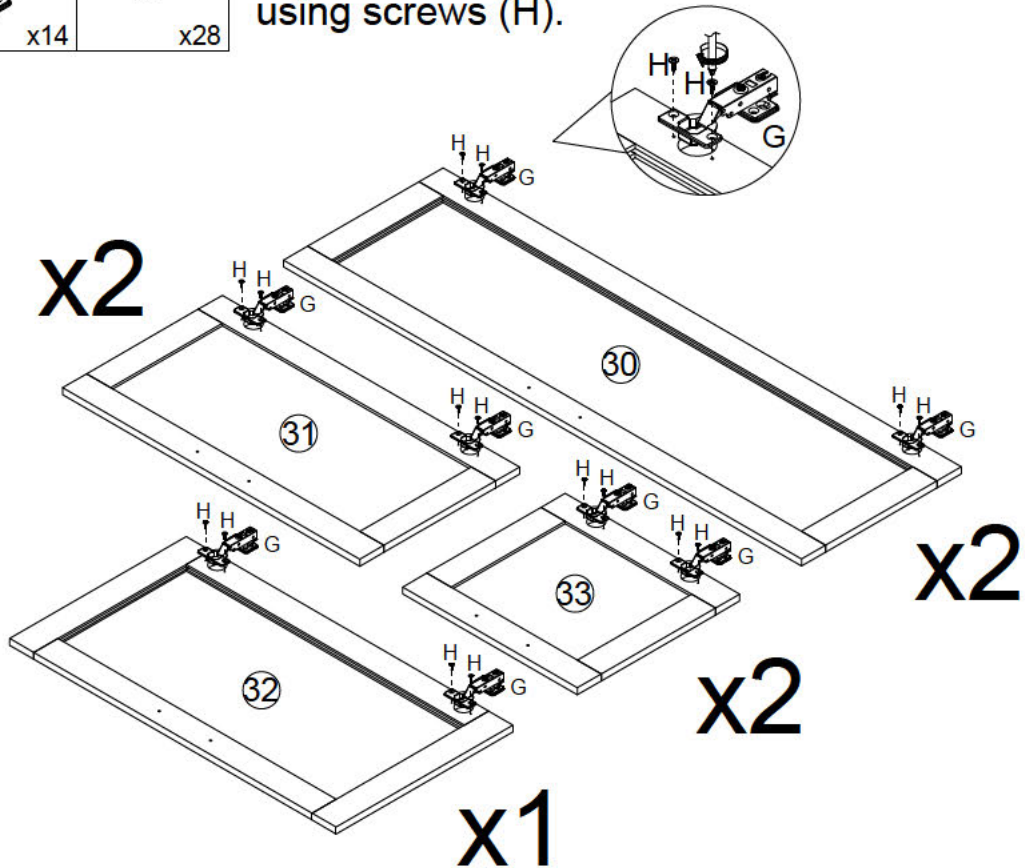
Install the drawers as shown and secure the triangular brackets to ensure the load-bearing capacity and stability of the bridge.



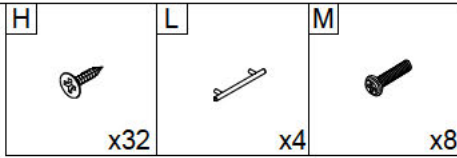
52



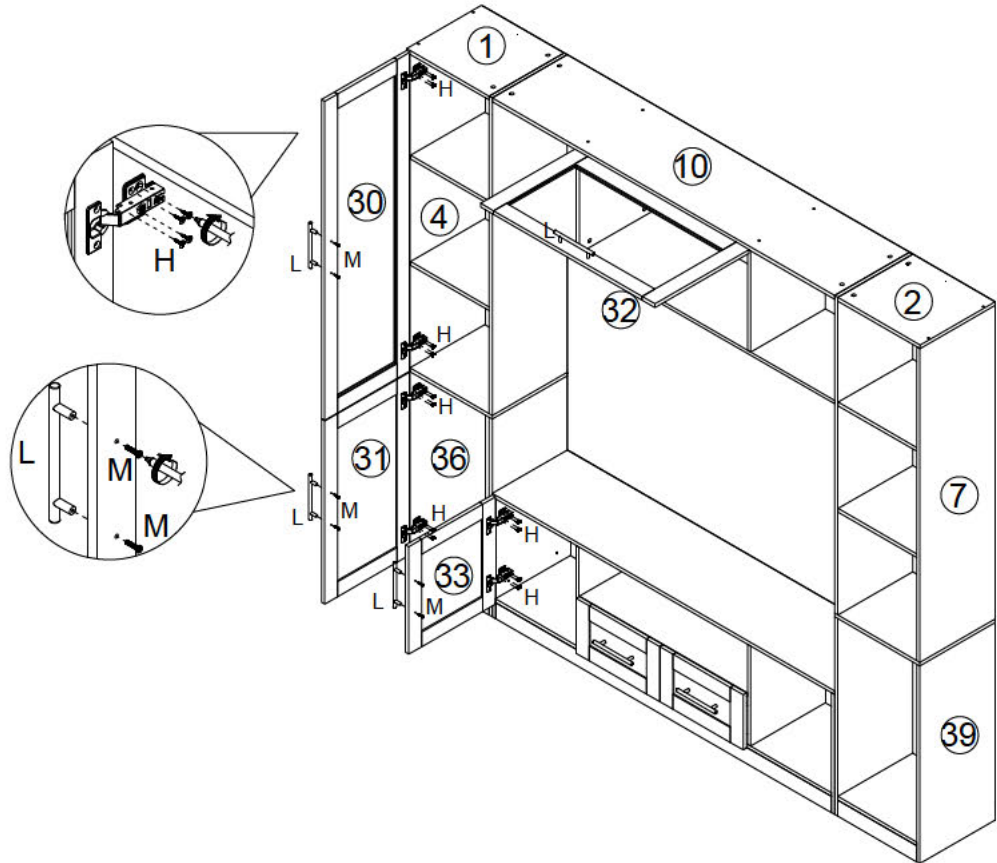
As shown
Secure the hinge (G) to parts 30, 31, 32, and 33 using screws (H).



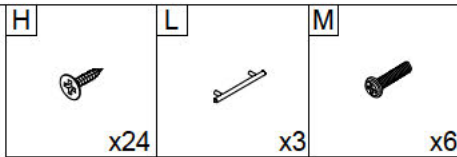
53



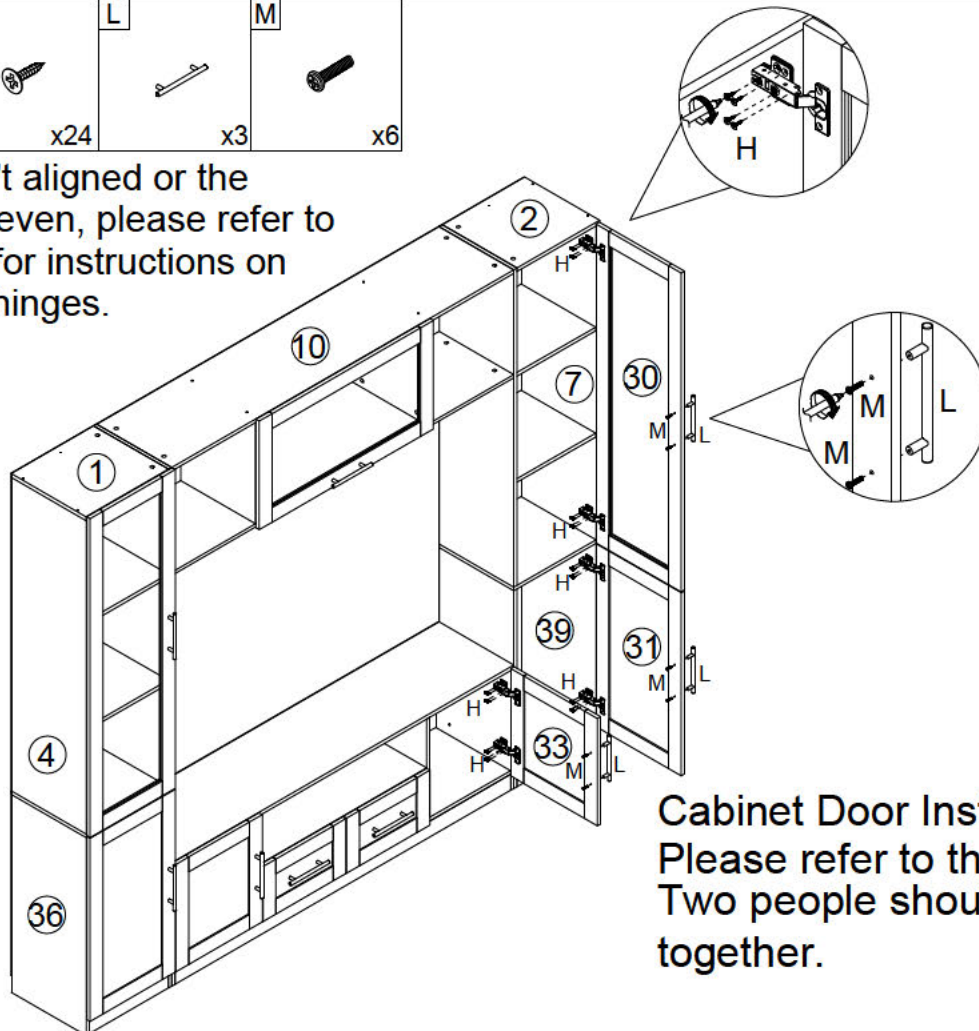
Cabinet Door Installation:
Please refer to the picture. Two people should work together.



54

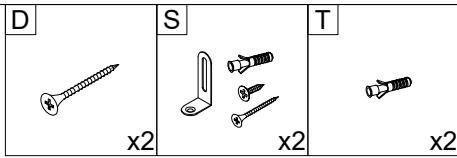


If the door isn't aligned or the seams are uneven, please refer to the last page for instructions on adjusting the hinges.

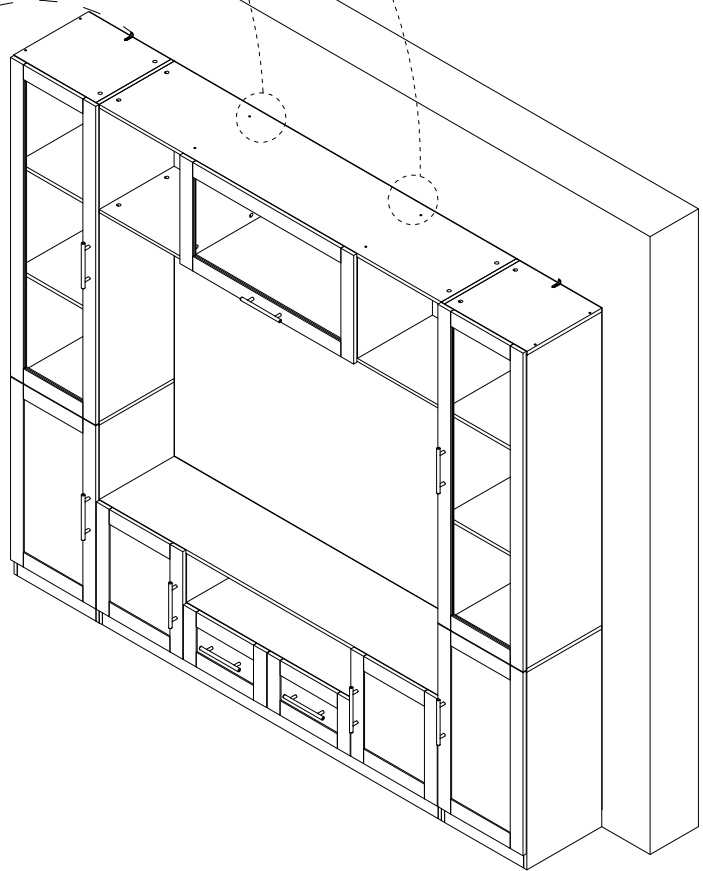
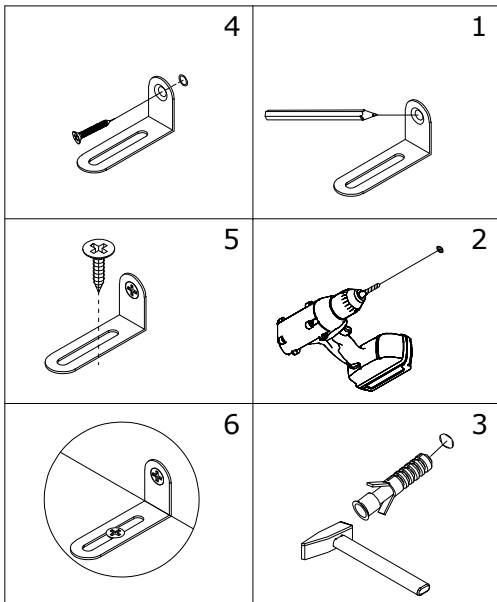
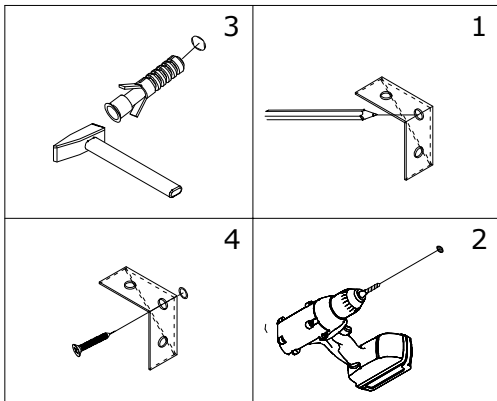


Cabinet Door Installation:
Please refer to the picture.
Two people should work together.

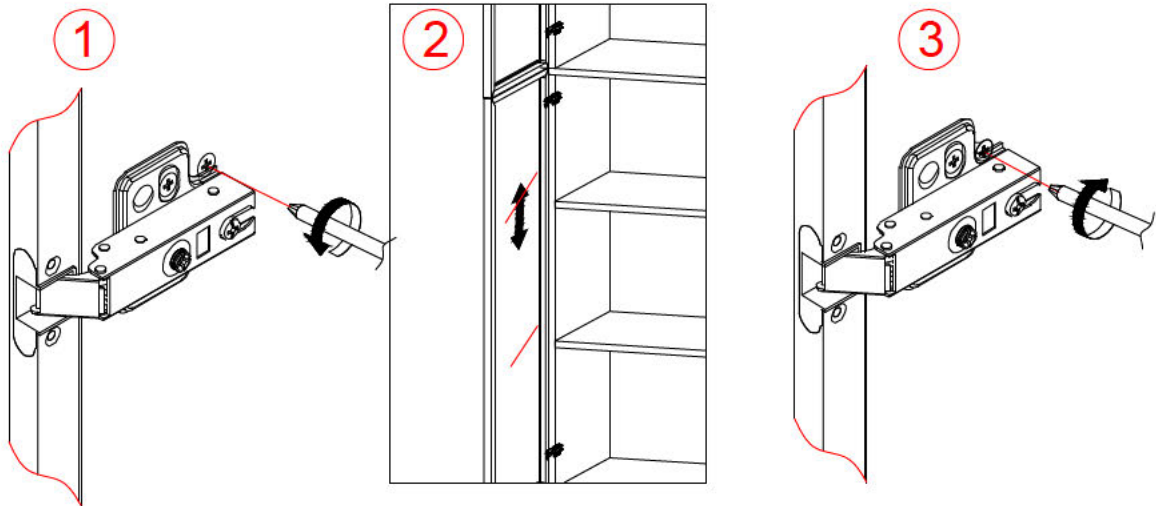
55



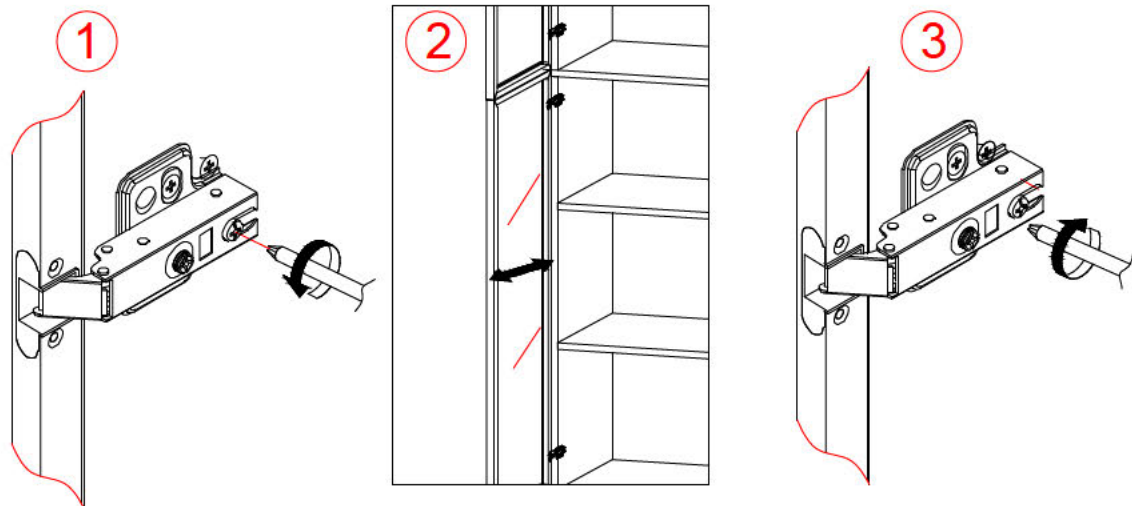
Attach wall anchors to the wall as shown for safety and stability.



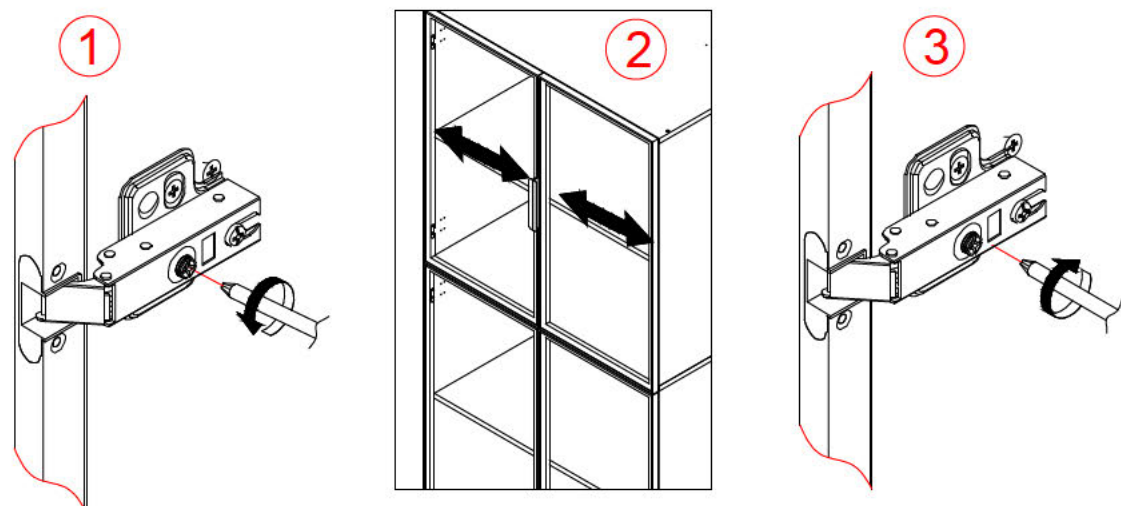
If the door clearance is uneven, adjust the cabinet door according to the illustration. If you continue to have difficulties with the adjustment, please reach out to us for assistance.



Turn this screw left or right to adjust the glass door up or down.



Turn this screw left or right to adjust the gap between the glass door and the cabinet.



Turn the screw left or right to adjust the glass door to the left or right.

WARRANTY

WARRANTY CLAIMS

- There is a 30-day warranty for broken furniture or any other problems that cause improper function. The warranty starts from the date of purchase and requires proof of purchase.
- The product must be used in accordance with the provided instructions.
- For other reasons, if the furniture needs to be returned, it must be cleaned, dried, and operated within 30 days of receipt.

Type of Warranty Claim

- Failure to follow the furniture instructions will invalidate the warranty. Please note, the warranty does not cover damage during installation, but does cover damage incurred during transportation.

Scope of Responsibility

- We are not responsible for misuse, user damage, or loss of parts during the installation of the furniture. Additionally, any damage or scratches incurred after use are not covered by the warranty.

WARRANTY CLAIMS

- **The warranty for products purchased in the U.S. covers the following areas:**
- Sheet parts: 1 month from the date of purchase.
- Electrical parts: 1 month from the date of purchase.

RETURNS

Changed your mind and need to return your item?

Please follow the instructions below:

- If you have purchased the item and simply changed your mind, please follow the retailer's return instructions.

DEFECTIVE ITEMS

- If your item is defective in any way, meaning it doesn't work but you cannot identify the cause, please first consult our [FAQ section](#)

DAMAGED ITEMS

- If you receive an order with obvious shipping damage, we suggest refusing the delivery. If the delivery has already been accepted and you later find shipping damage, please follow the specific instructions provided by the retailer.
- In all cases, please keep all packaging materials and paperwork related to the order.
- Please be aware that if you dispose of packaging materials or attempt to return the item without contacting the retailer, you may risk losing your chance to file a claim, and you may not receive credit for the return.

