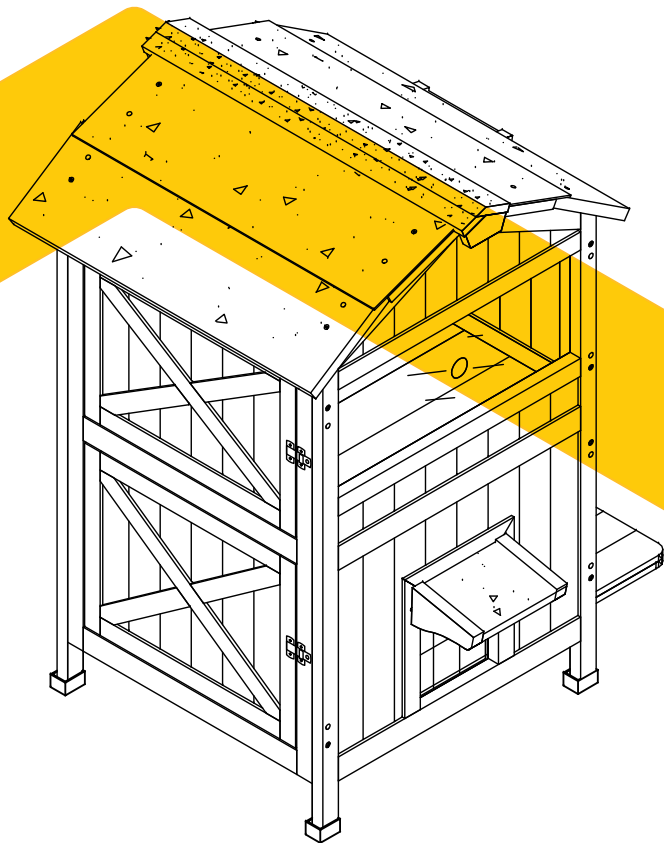


# INSTRUCTION MANUAL

AIR94-IN







## NOTICE

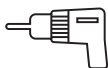
Please retain these instructions for future reference.

- Firmly secure all bolts,screws and knobs before use.
- Reconfirm that all bolts,screws,and knobs are secure every 90 days.
- Fasten screws loosely during initial assembly. Do not fully tighten screws until the item is completely assembled.
- Do not use or store this item in the proximity of open flame or flammable/combustible chemicals.
- Be aware that some parts are heavy and have sharp edges.
- Be aware that moving parts can injure,crush and cut.
- If any parts are missing,broken,damaged,or worn,stop using this product until repairs are made and/or factory replacement parts are installed.
- Donot use this item in a way inconsistent with the manufacturer's instructions as this could void the product warranty.

## TOOLS REQUIRED //



PHILLIPS  
SCREWDRIVER



DRILL  
(RECOMMENDED)



2PERSON  
ASSEMBLY



APPROXIMATELY  
30MIN. ASSEMBLY

## HARDWARE //

M3.5x40mm SCREW  
4PCS+1 spare



P1

M3.5x45mm SCREW  
12PCS+1 spare



P2

M3.5x35mm SCREW  
8PCS +1spare



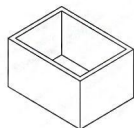
P3

M3.5x25mm SCREW  
8PCS +1spare



P4

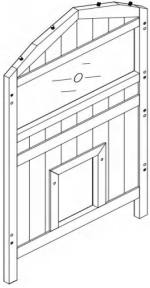
Plastic Feet  
4PCS



P5

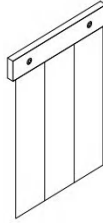
# PARTS

Front panel  
1PC



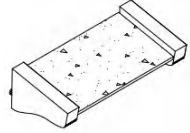
**A**

PVC Curtain  
2PCS



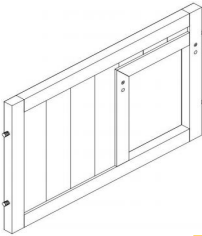
**B**

Eave  
2PCS



**C**

Right Panel- Upper  
1PC



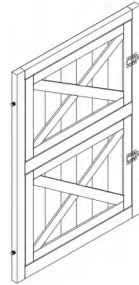
**D**

Back Panel  
1PC



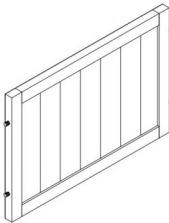
**E**

Left Panel  
1PC



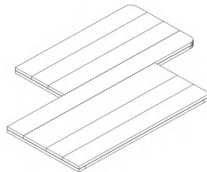
**F**

Right Panel- Lower  
1PC



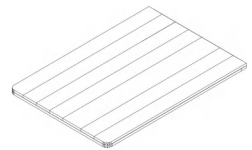
**G**

Middle Floor  
1PC



**H**

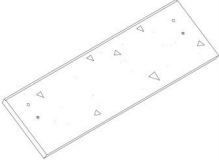
Bottom Floor  
1PC



**I**

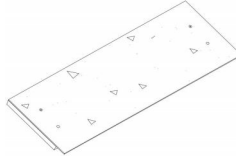
# PARTS

Roof  
2PCS



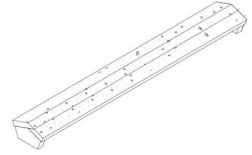
J

Roof  
2PCS



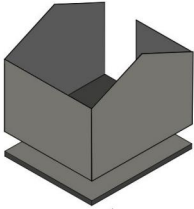
K

Roof Cap  
1PC



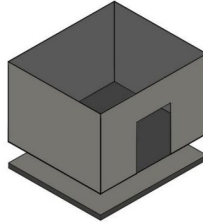
L

Insulated liner & Mat  
Upper floor  
1PC



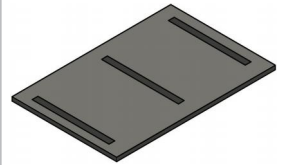
M

Insulated liner & Mat  
Bottom floor  
1PC



N

Insulated liner for roof  
2PCS

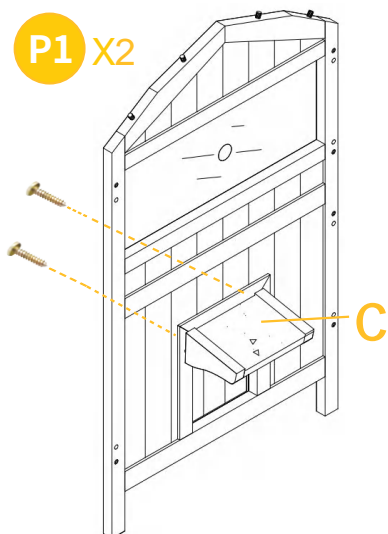
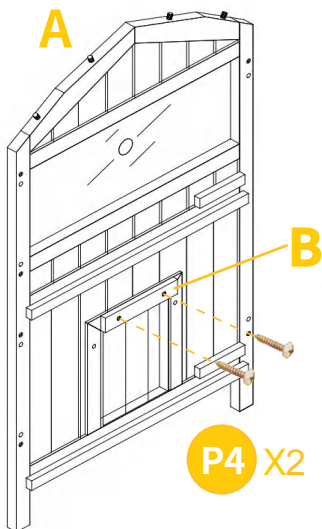


O

# PRODUCT ASSEMBLY //

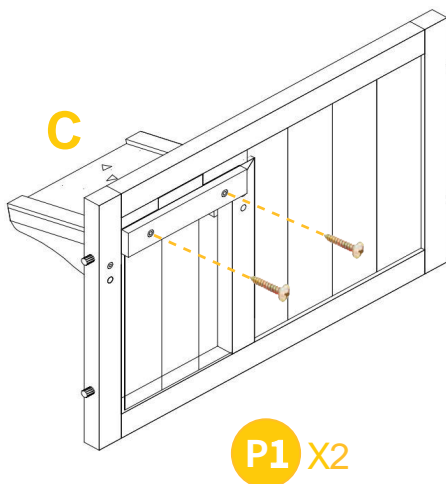
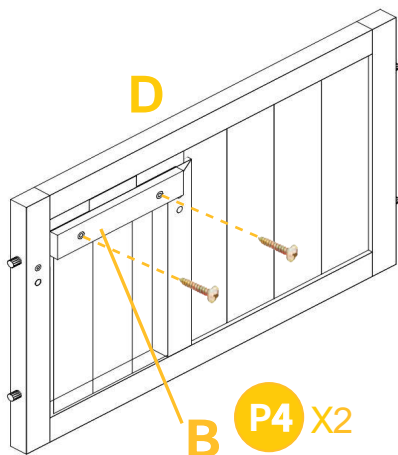
## 01

Screw the curtain Part B to the INSIDE of Part A by 2xP4.  
Screw Part C from the INSIDE of Part A by 2xP1.



## 02

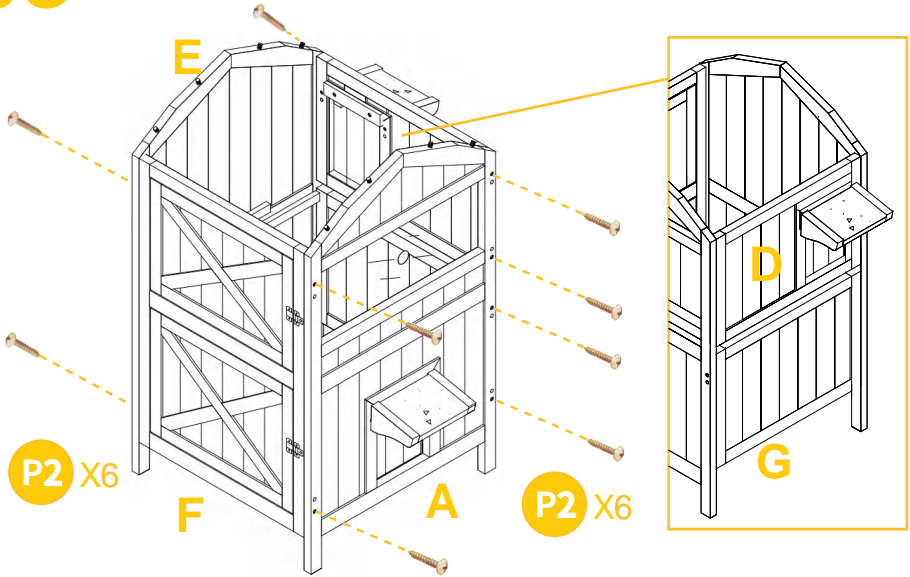
Screw the curtain Part B to the INSIDE of Part D by 2xP4.  
Screw Part C from the INSIDE of Part D by 2xP1.



# PRODUCT ASSEMBLY

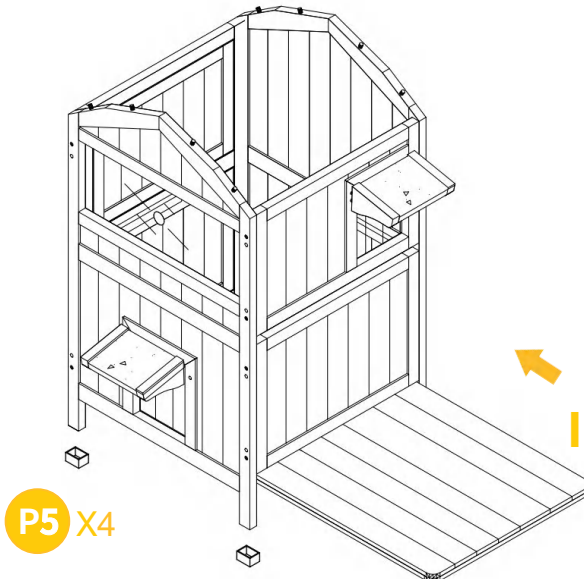
03

Screw Part A, F, E, D, G by 6xP2 on each side.



04

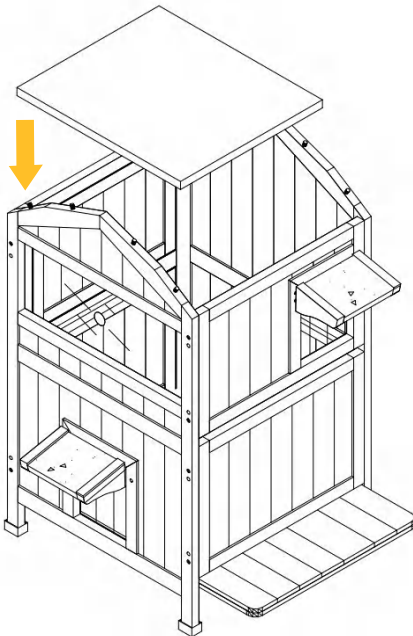
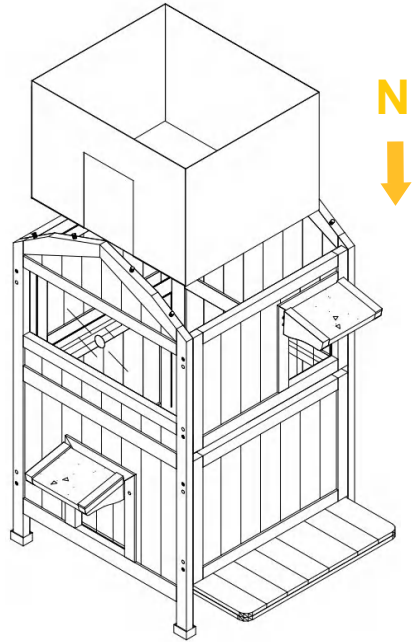
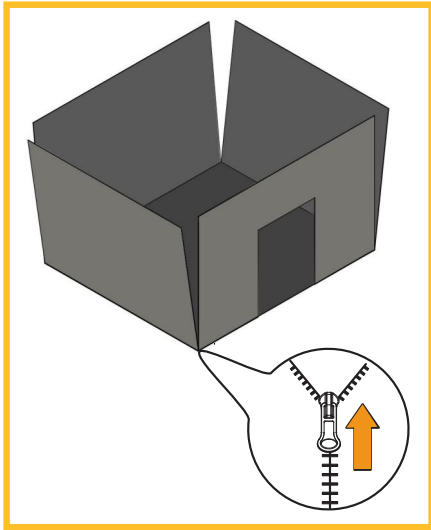
Attach P5 plastic feet to the house.  
Slide the floor Part I.



## PRODUCT ASSEMBLY //

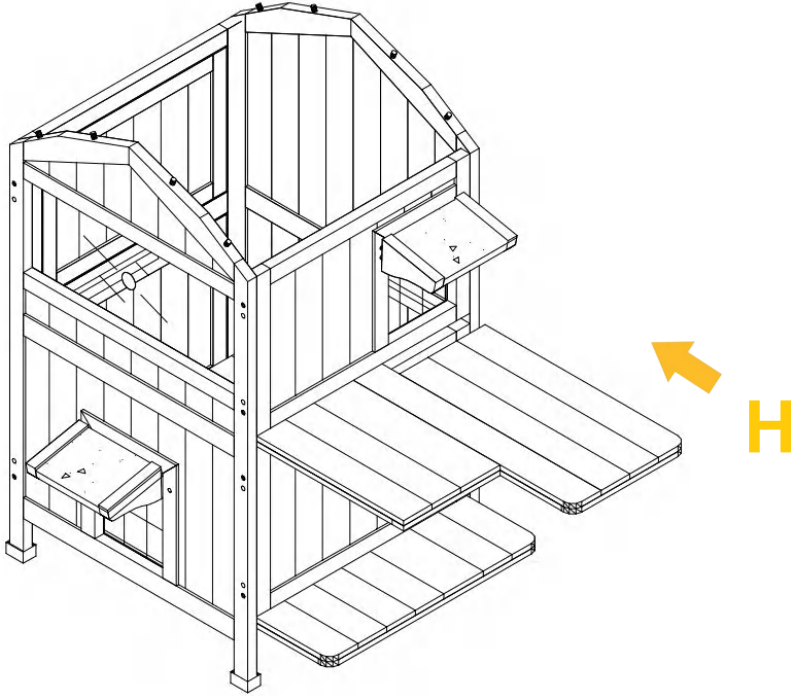
05

Put the insulated liner Part N in the house first.  
And then put in the bottom liner.



## PRODUCT ASSEMBLY

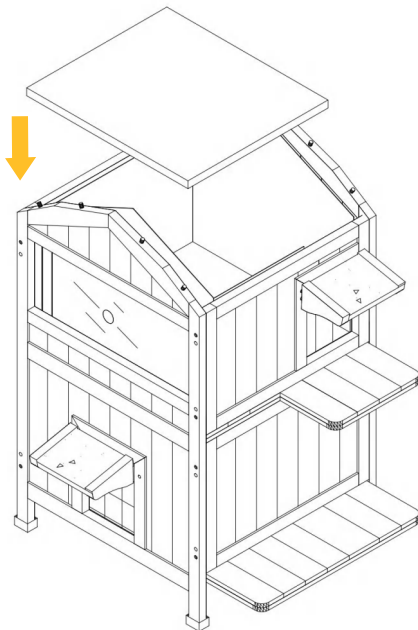
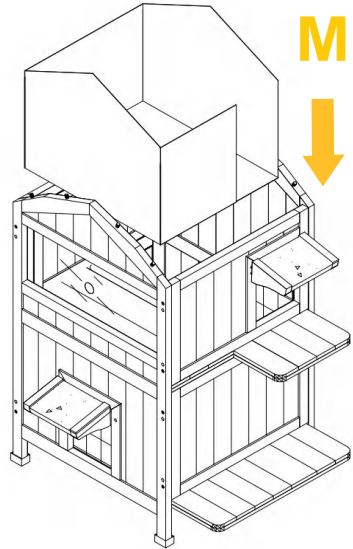
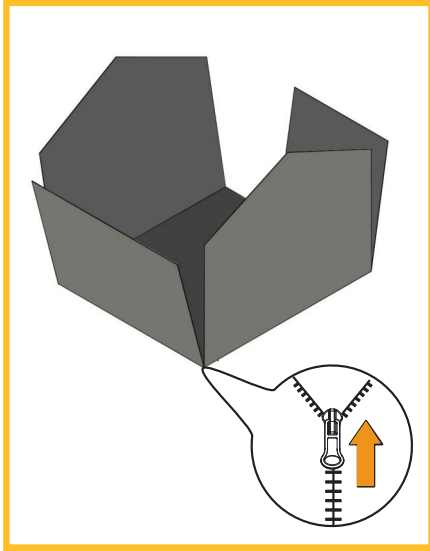
**06** Slide the floor Part H.



## PRODUCT ASSEMBLY //

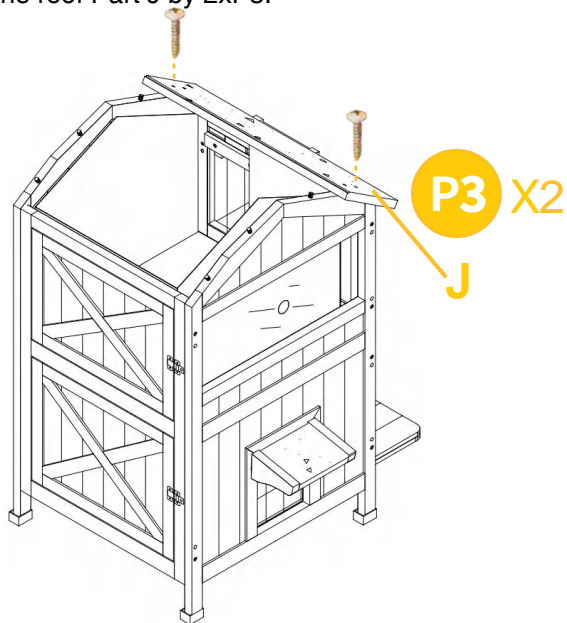
07

Put the insulated liner Part M in the house first.  
And then put in the bottom liner.

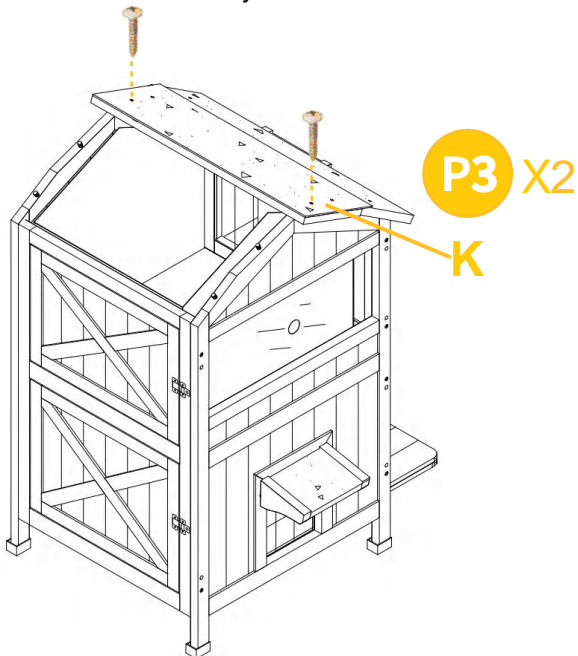


## PRODUCT ASSEMBLY

**08** Screw the roof Part J by 2xP3.

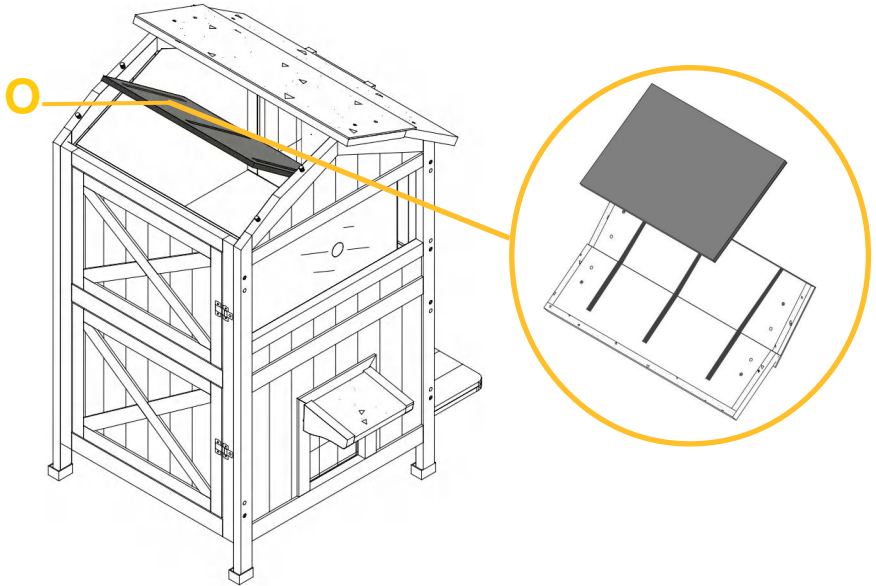


**09** Screw the roof Part K by 2xP3.

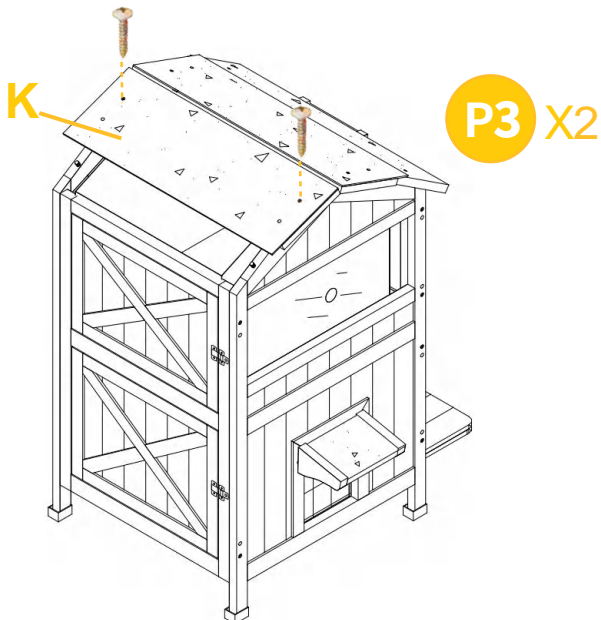


## PRODUCT ASSEMBLY

- 10** Stick the roof insulated liner Part O **INSIDE** of the roof.

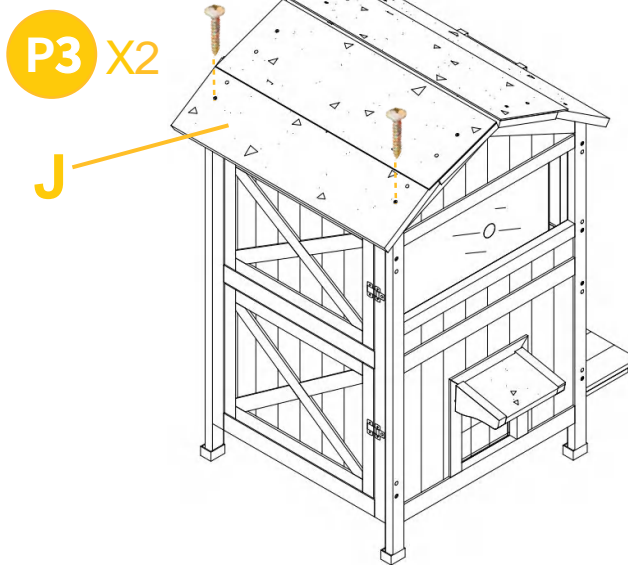


- 11** Screw the roof Part K by 2xP3.

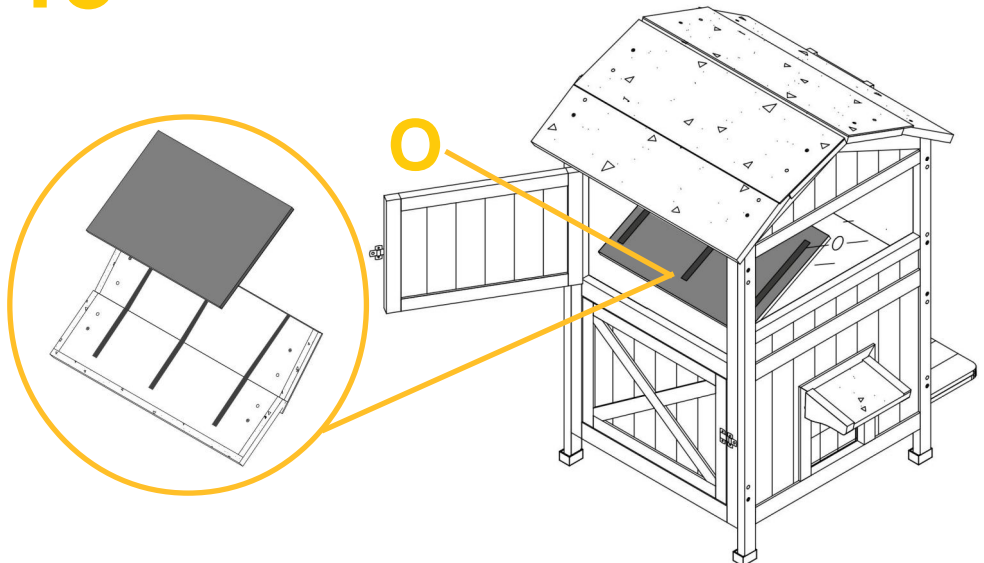


## PRODUCT ASSEMBLY //

**12** Screw the roof Part J by 2xP3.

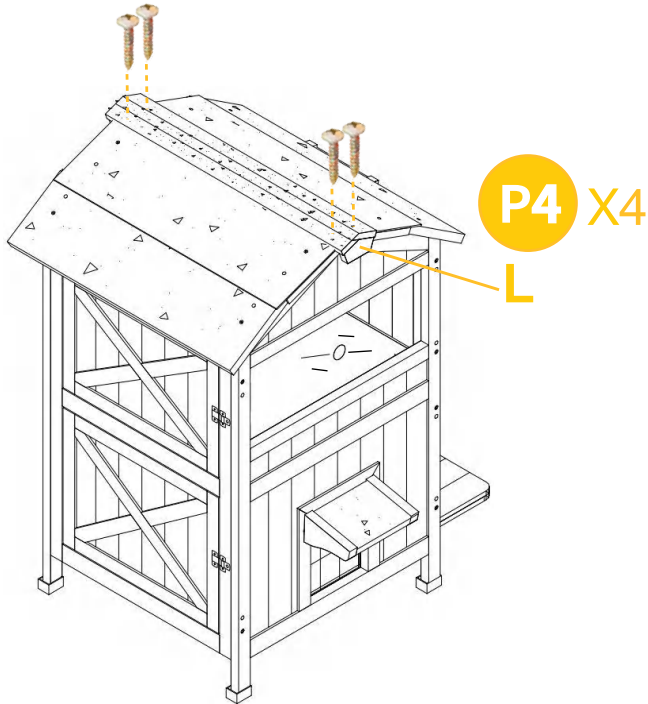


**13** Stick the roof insulated liner Part O **INSIDE** of the roof.



## PRODUCT ASSEMBLY //

**14** Screw the roof cap Part L by 4xP4.





**WARNING**

Manufacturer and seller expressly disclaim any and all liability for personal injury, property damage or loss, whether direct, indirect, or incidental, resulting from the incorrect attachment, improper use, inadequate maintenance, or neglect of this product.