

ASSEMBLING ACCESSORIES



Long screw*4



Cork*8



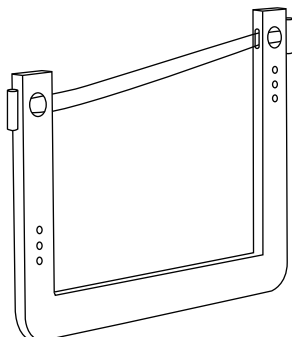
Crescent piece*4



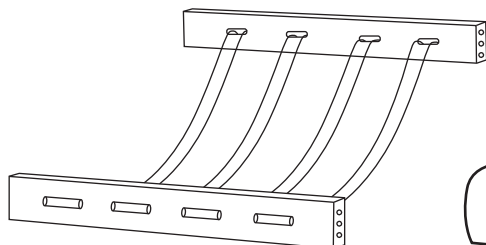
Nut*4



Small wrench*1



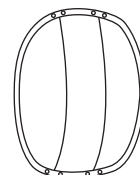
handrail*2



Main framework*1



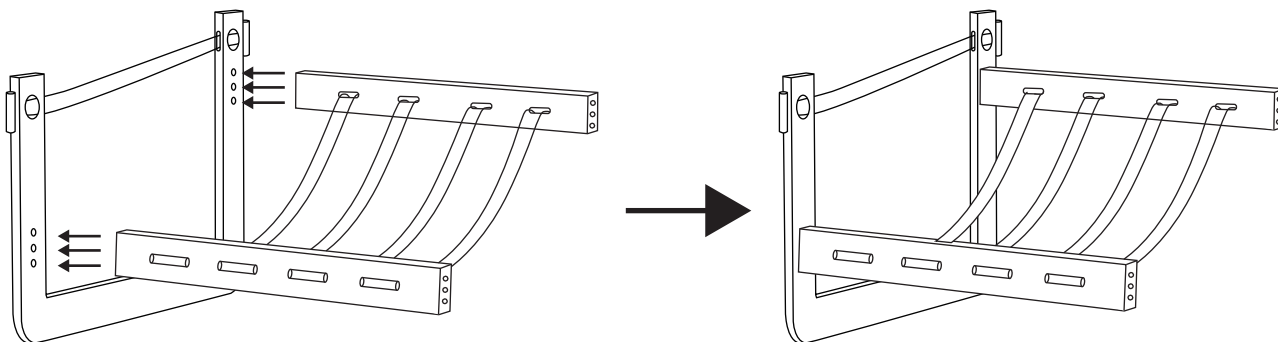
stationary ladle*1



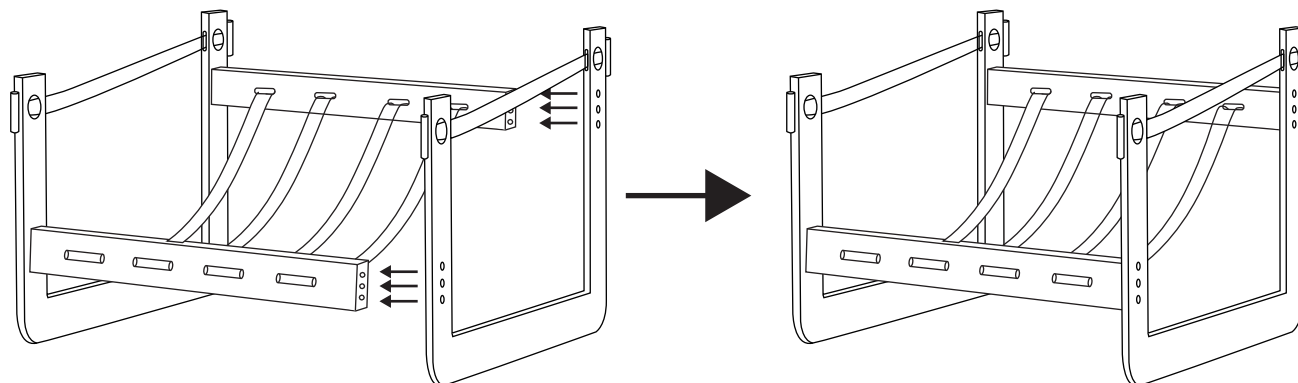
Armrest bag*2

ASSEMBLY PROCESS

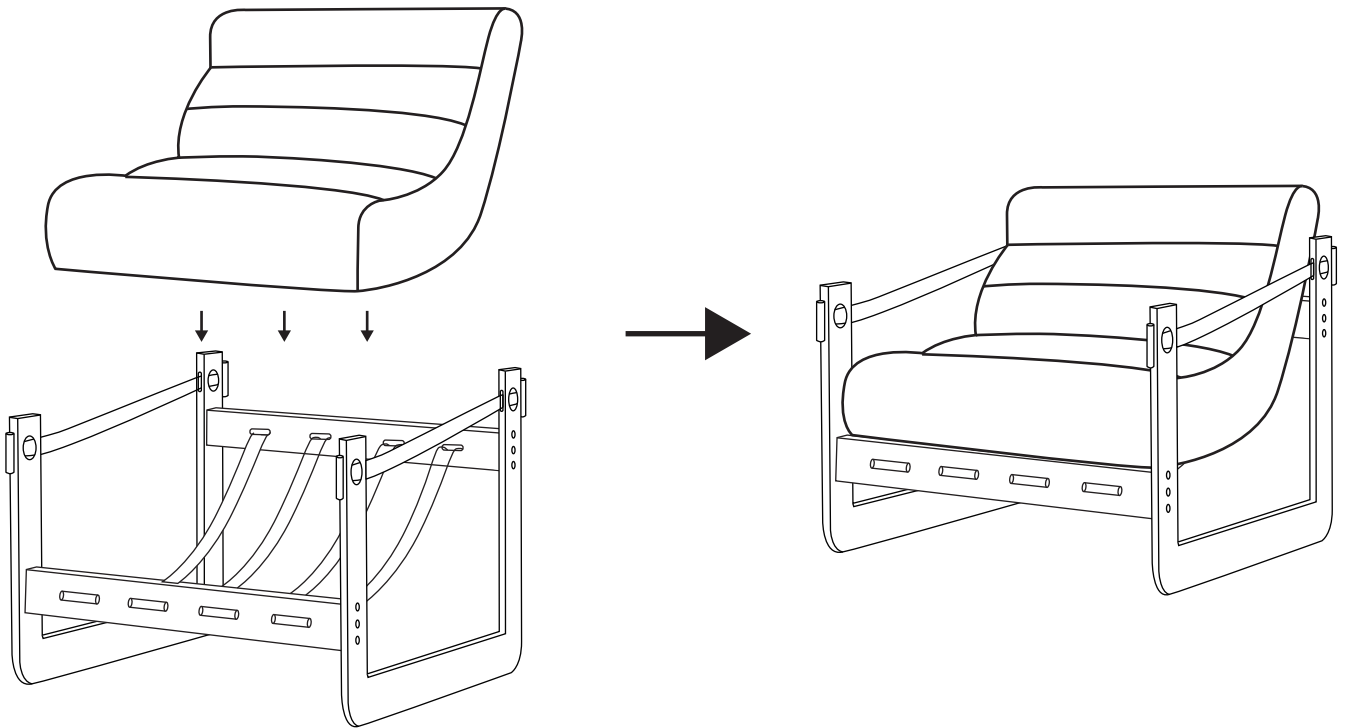
Step 1: Install the right armrest



Step 2: The same applies to the left armrest



Step 3: Installation seat package



Step 4: Install armrest bag

