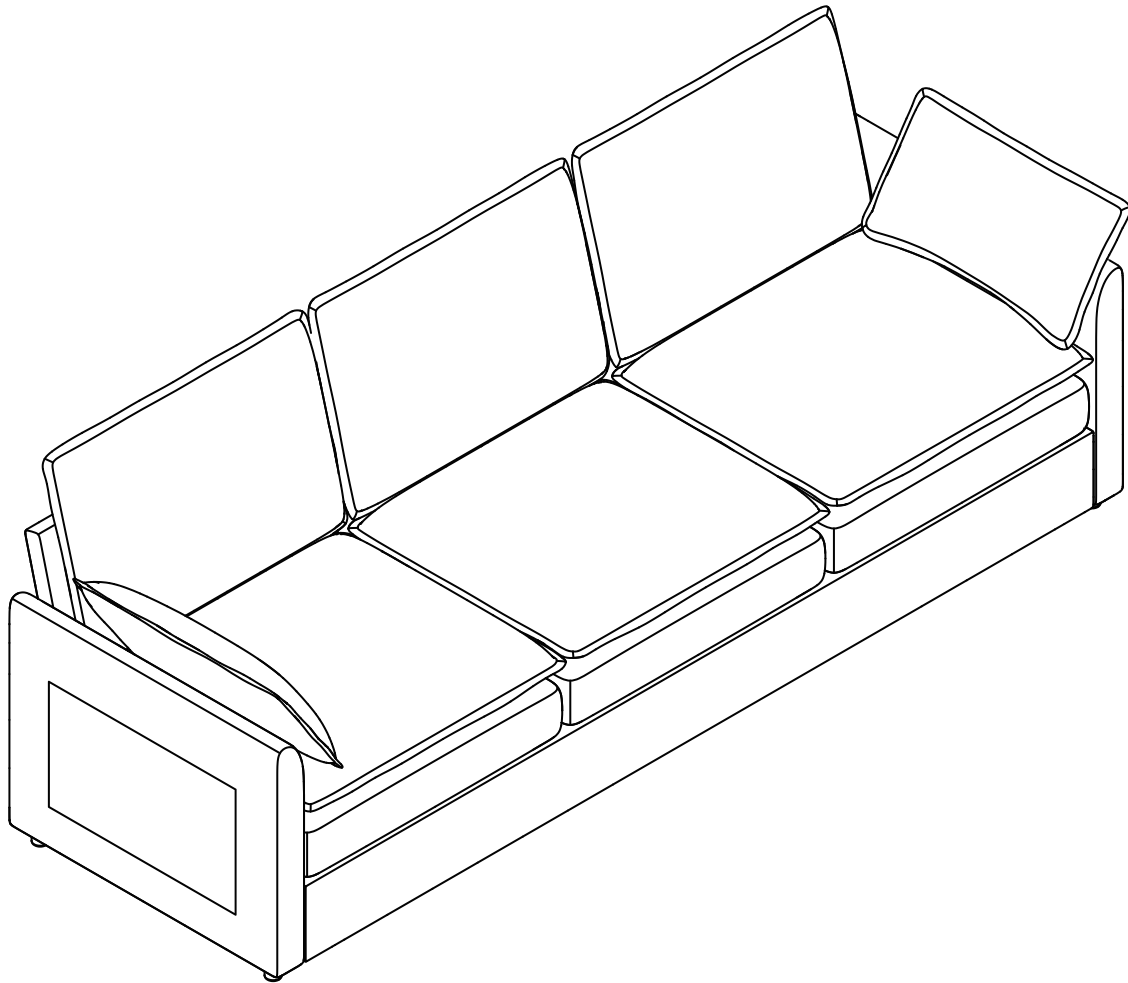


ASSEMBLY INSTRUCTIONS

ITEM#N719P433666



IMPORTANT NOTE

****Place all parts on a lean and smooth surface such as a rug or carpet to avoid the parts from being scratched.**

****Before you begin, please review the assembly instruction step by step.**

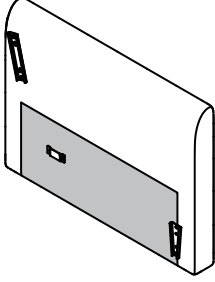
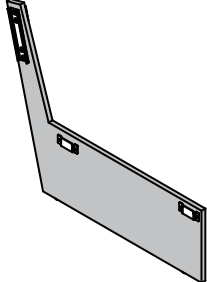
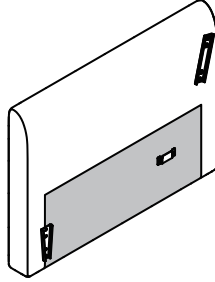
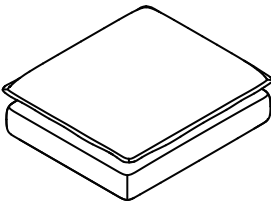
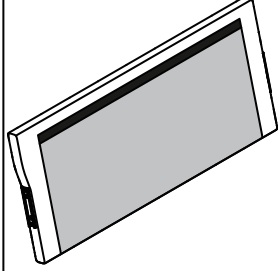
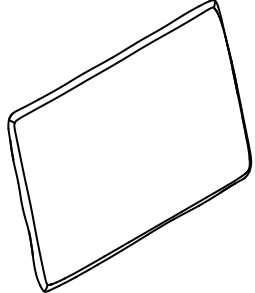
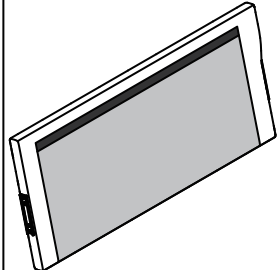
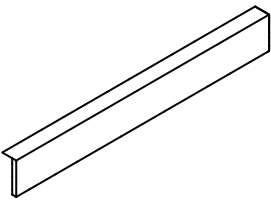
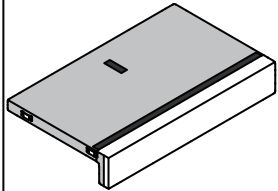
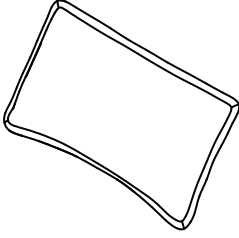
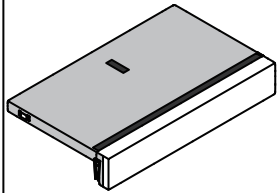
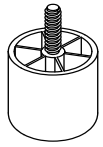
****Return & Warranty Policy:**

-We strive to offer the highest quality products. We also provide positive solutions with replacements or refund if needed.

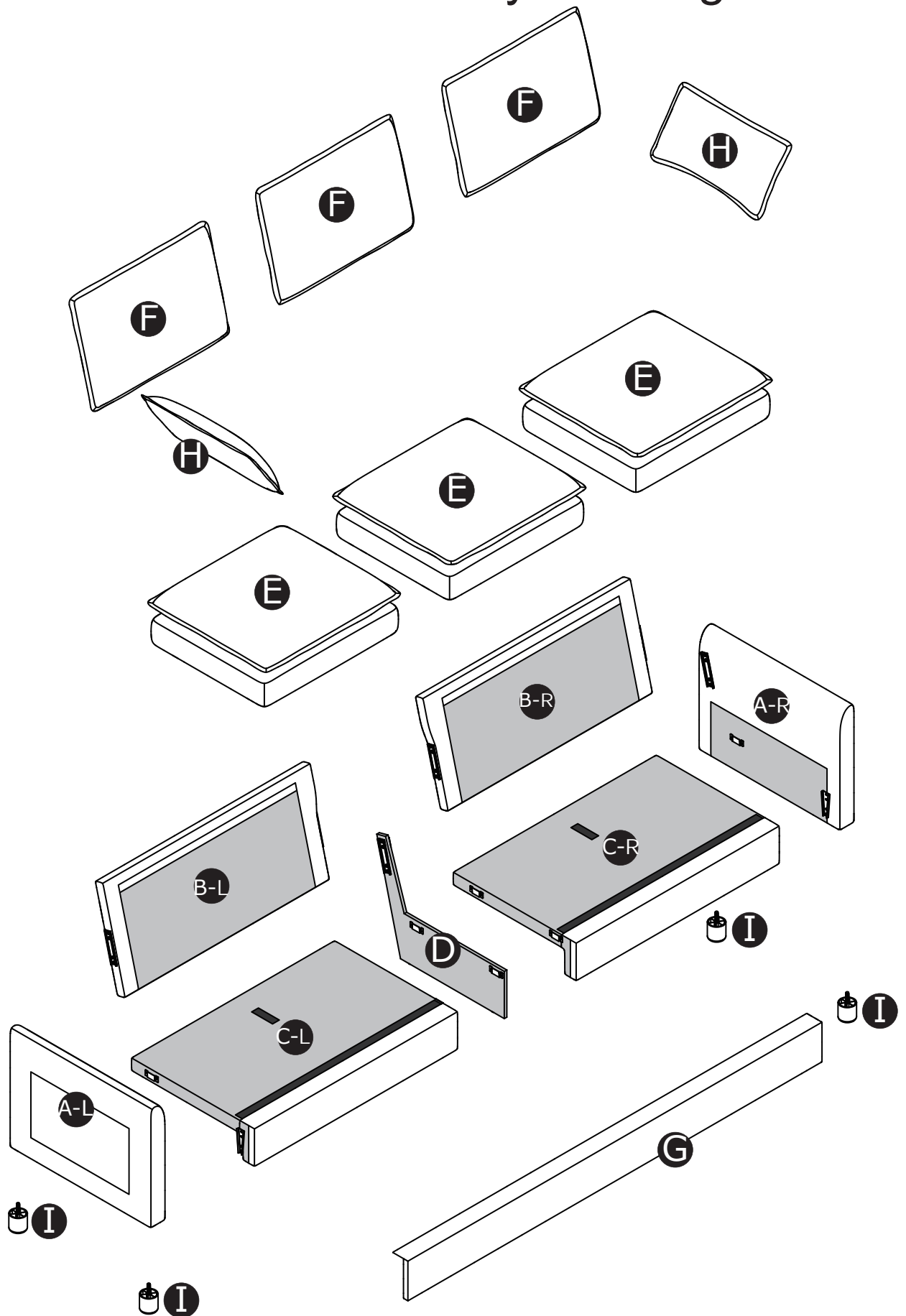
-If the item is damaged or defective, please take photos to show the problem and email to the seller.

-Please do not return back the product before contact the seller.

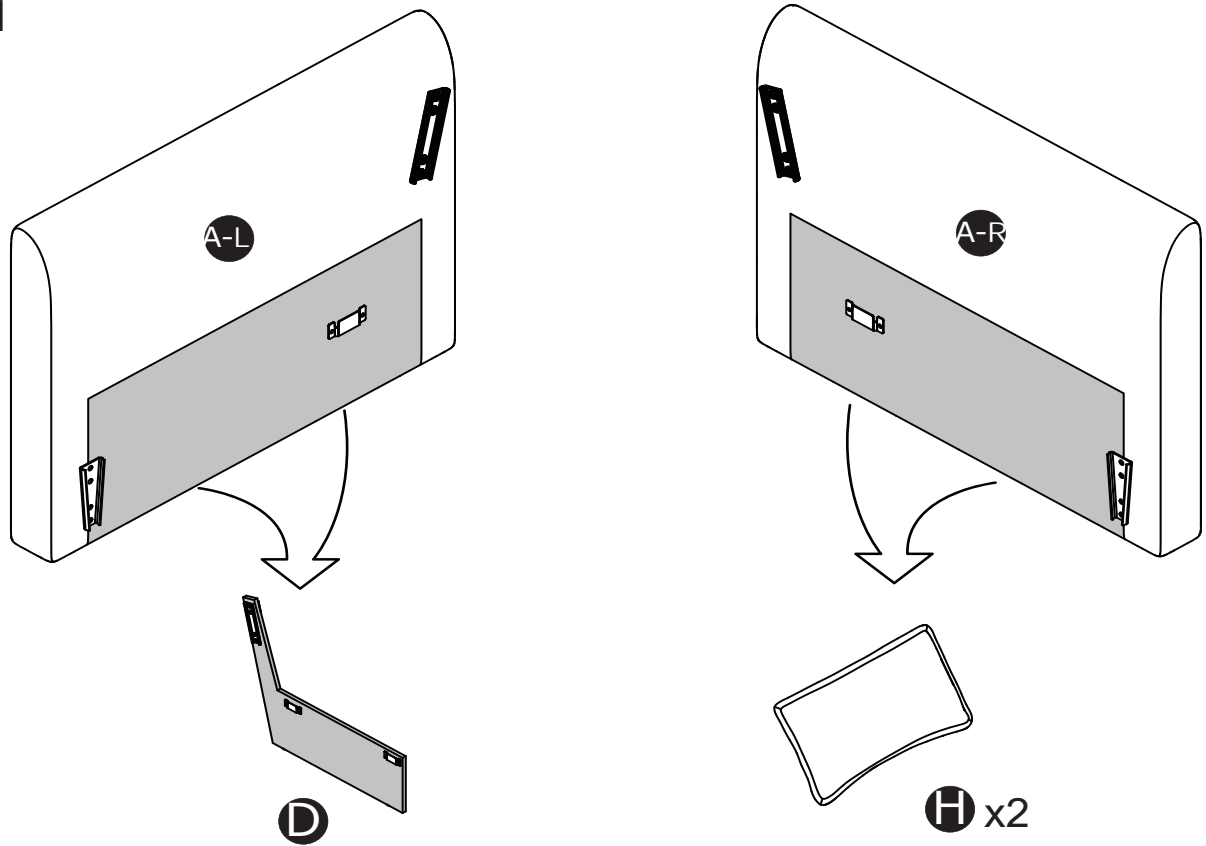
PART LISTS BOX 1:N719P433666

Part NO.	Part Image	Part Name	QTY	Part NO.	Part Image	Part Name	QTY
A-R		Right Armrest	1	D		Middle Baffle Board	1
A-L		Left Armrest	1	E		Seat Cushion	3
B-R		Right Back Frame	1	F		Back Cushion	3
B-L		Left Back Frame	1	G		Front Lining	1
C-R		Right Seat Frame	1	H		Armrest Cushion	2
C-L		Left Seat Frame	1	I		Leg	4

Sofa Overall Assembly Drawing

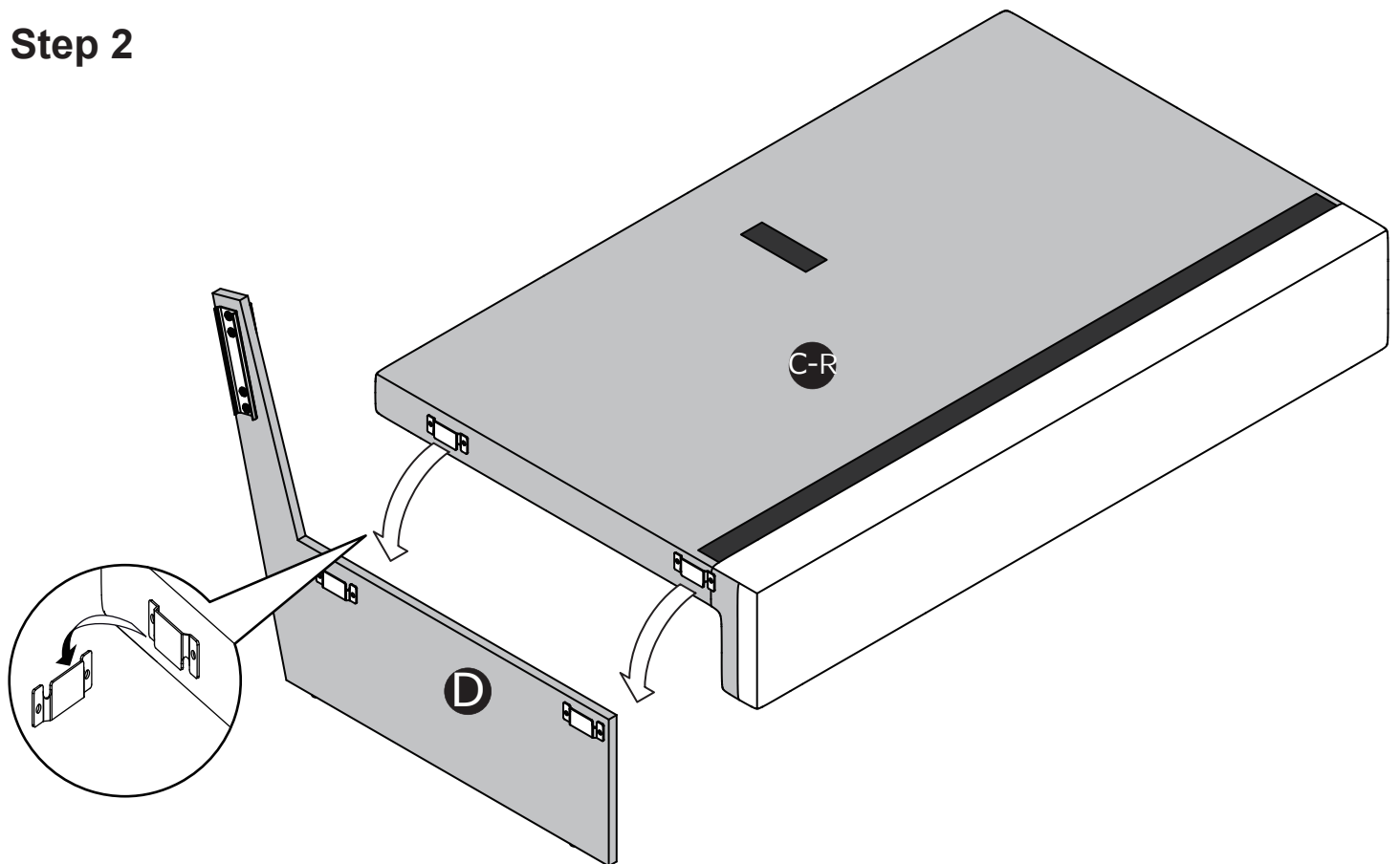


Step 1



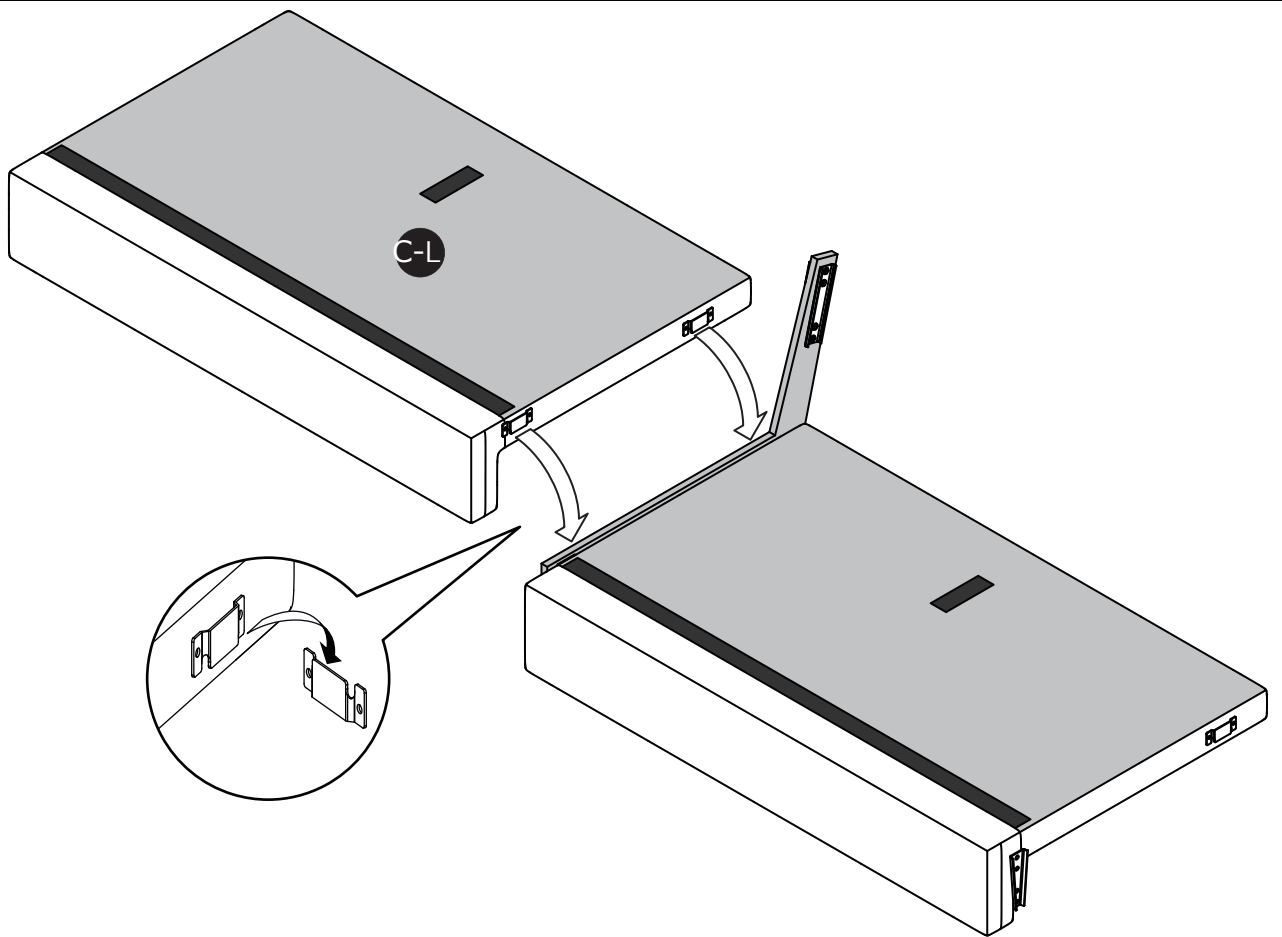
Some parts are inside Armrest, please take them out

Step 2



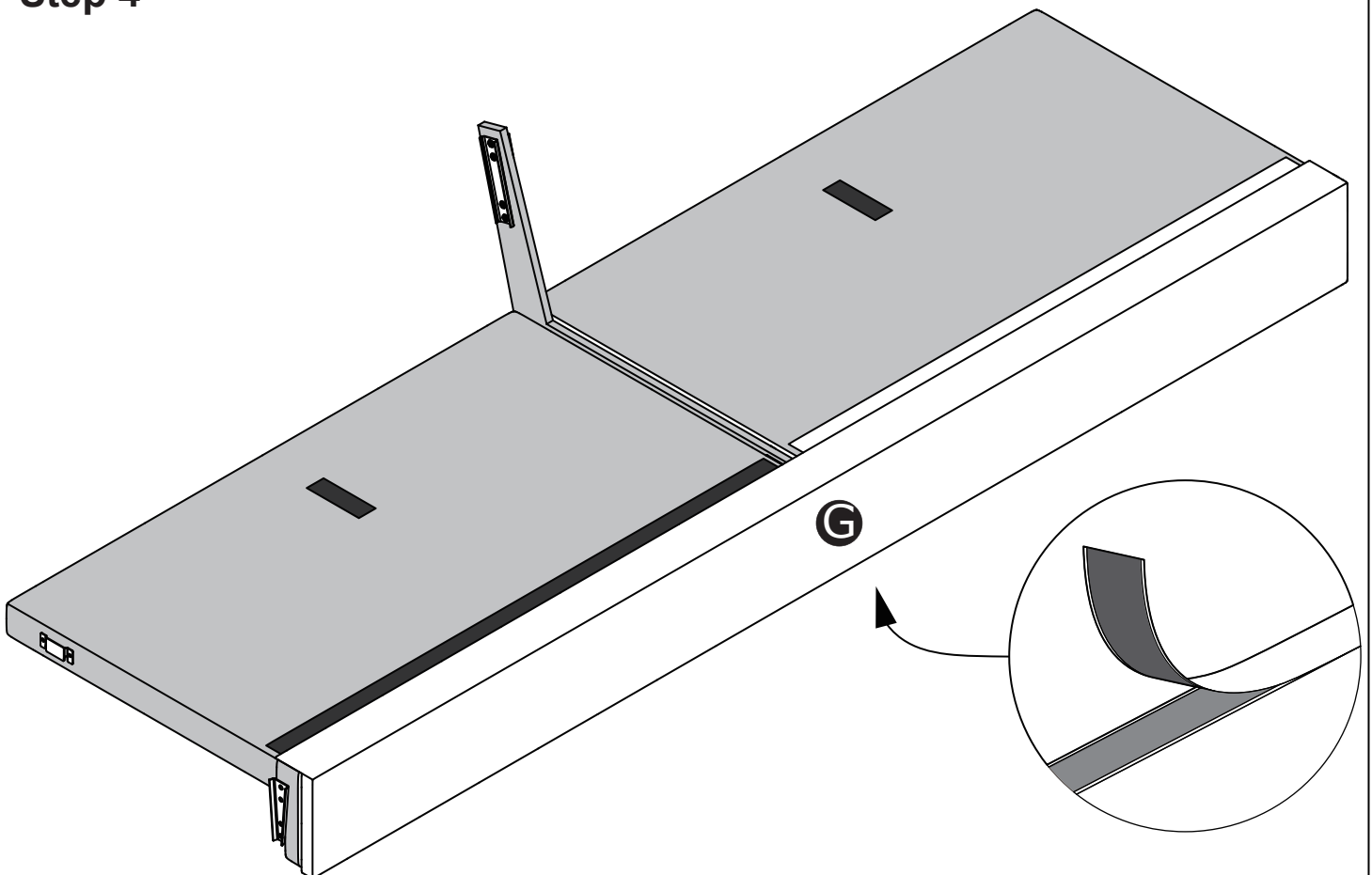
Please put armrests on the ground and lift the seat frame to inset into armrests.

Step 3



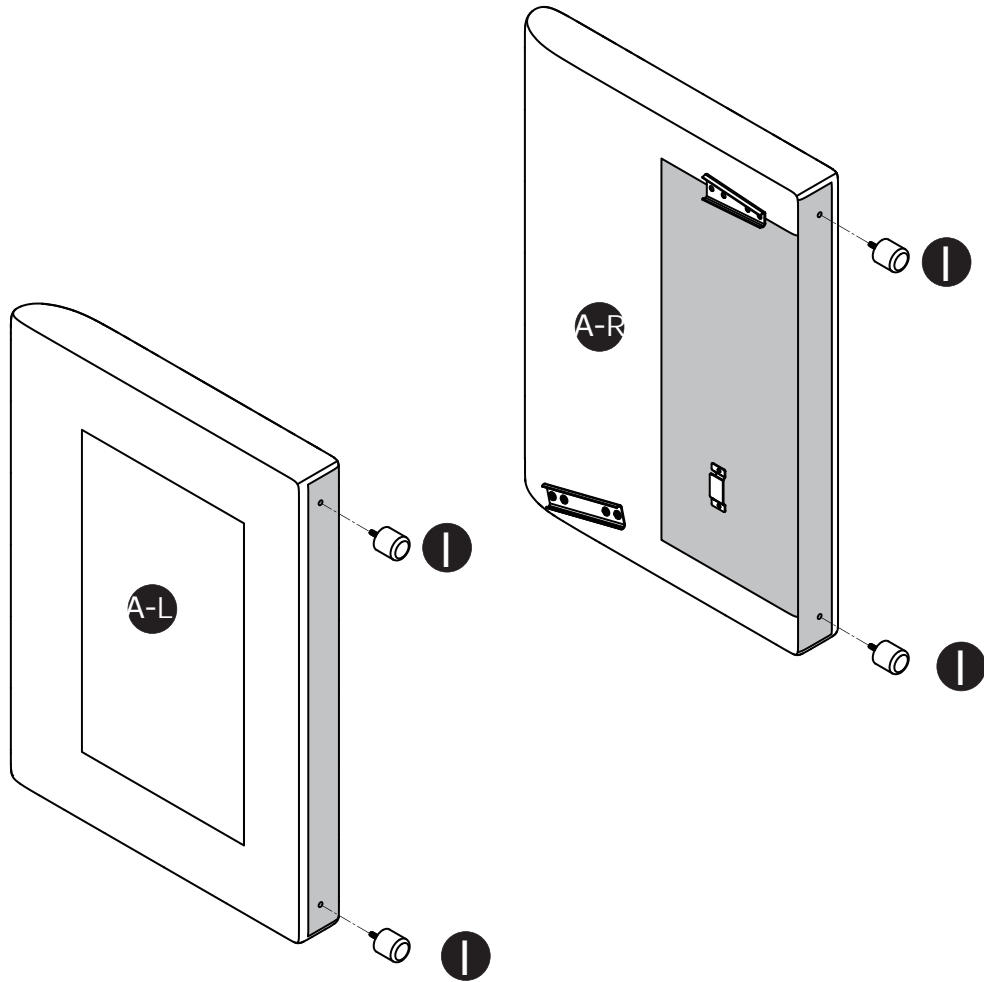
Please lift the seat frame "C-R" to inset into PART "D".

Step 4

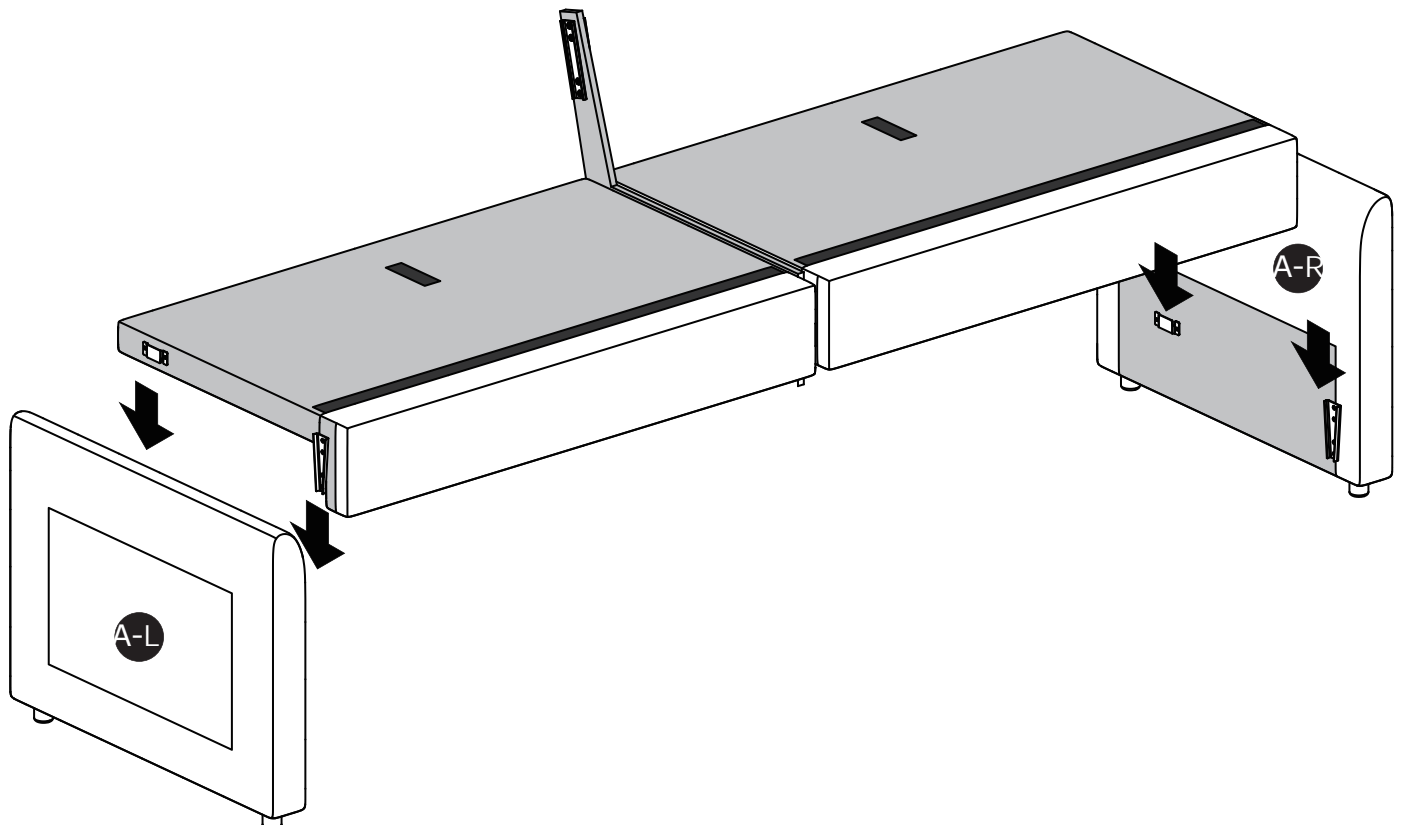


Remove the Velcro from Fabric "G" and attach to the seat frame "C-R" , "C-L".

Step 5

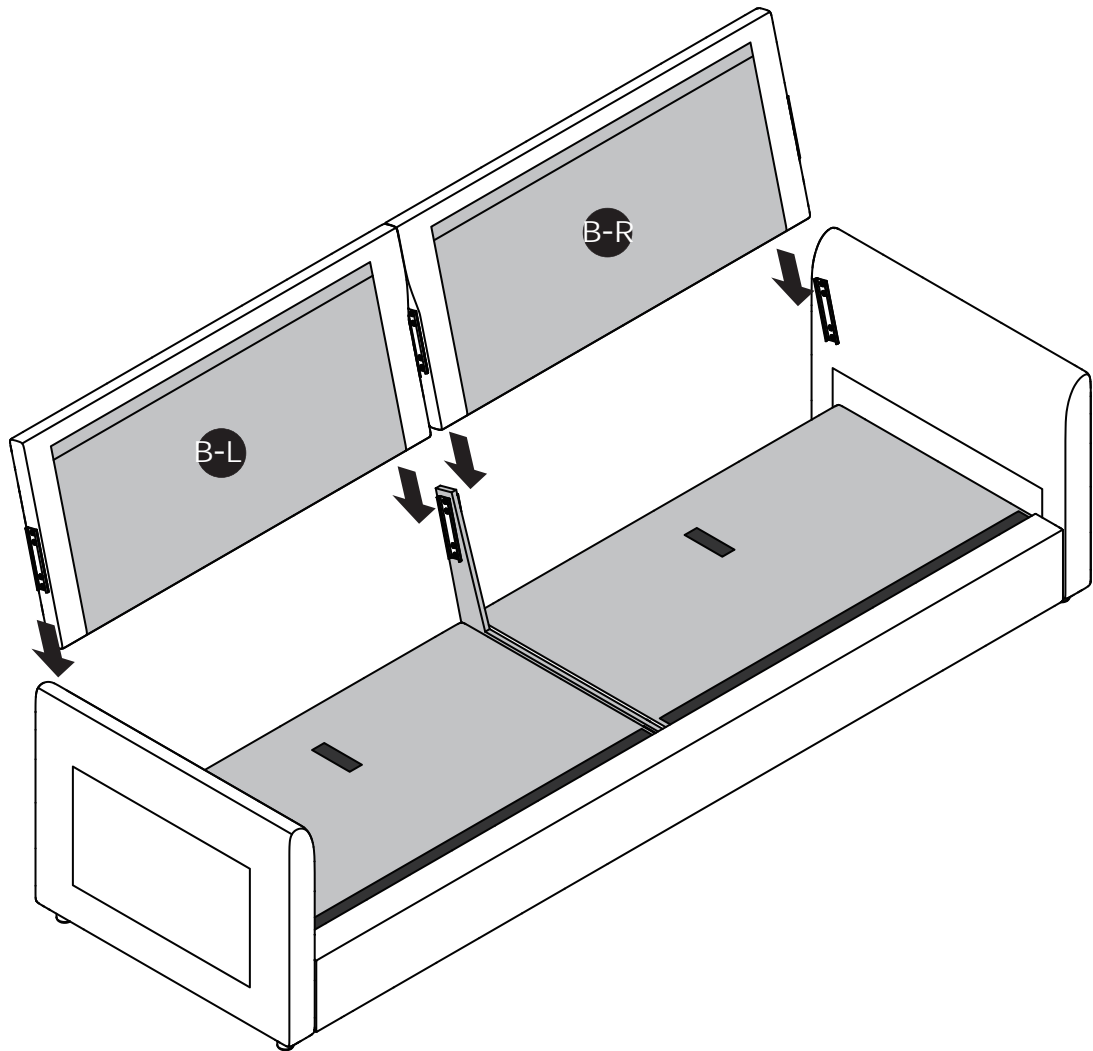


Step 6

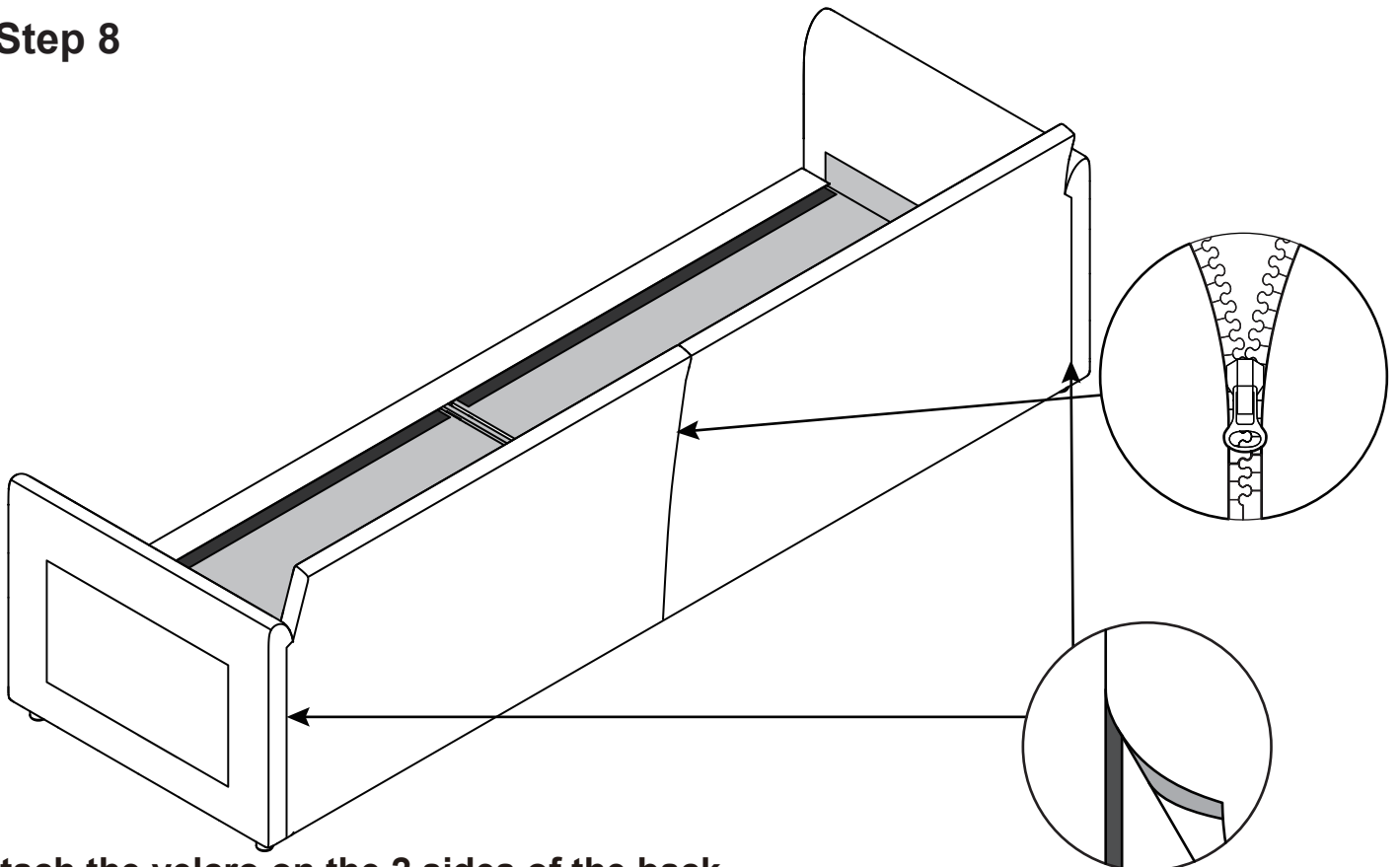


Please put armrests on the ground and lift the seat frame to inset into armrests.

Step 7

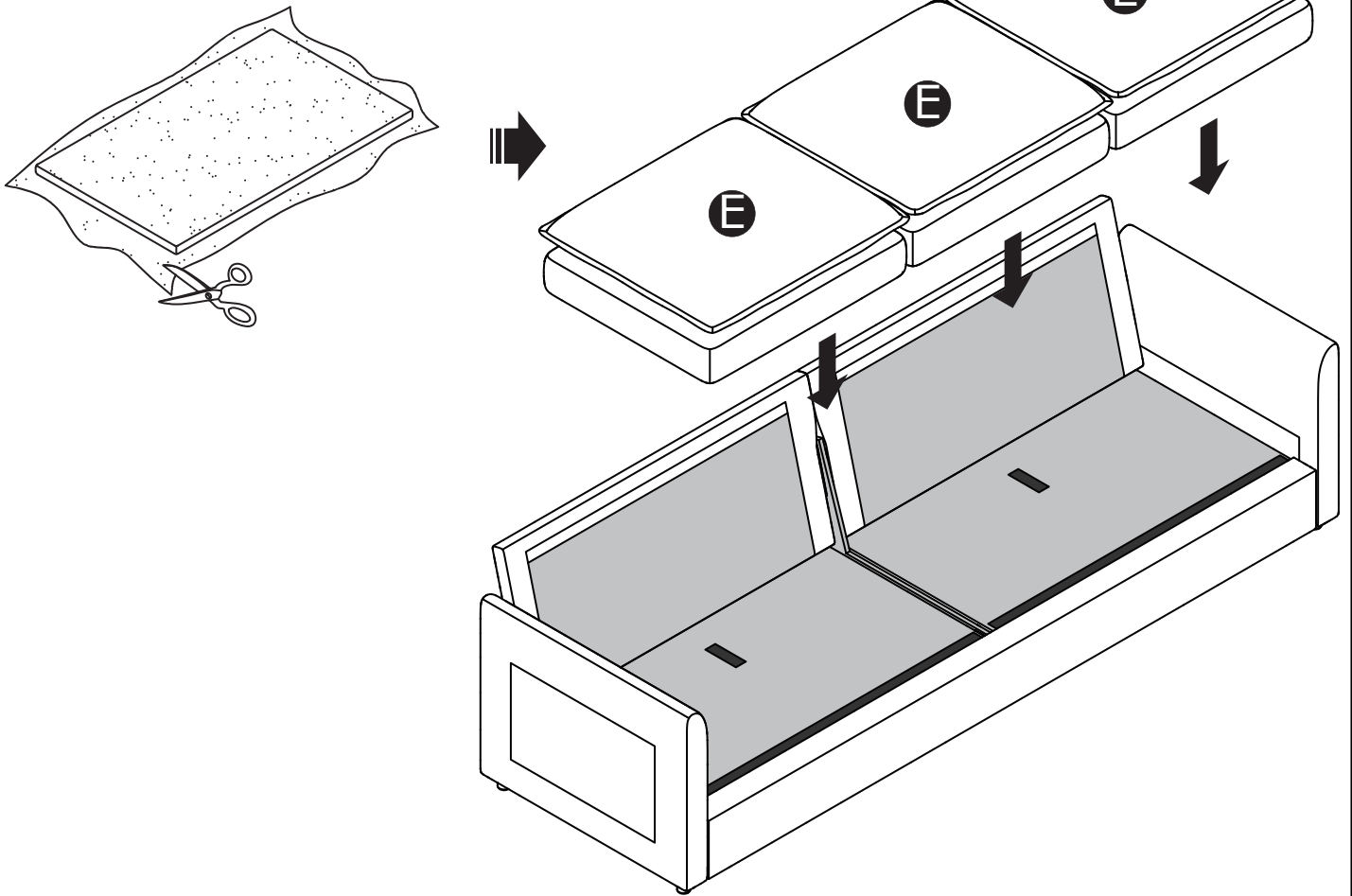


Step 8

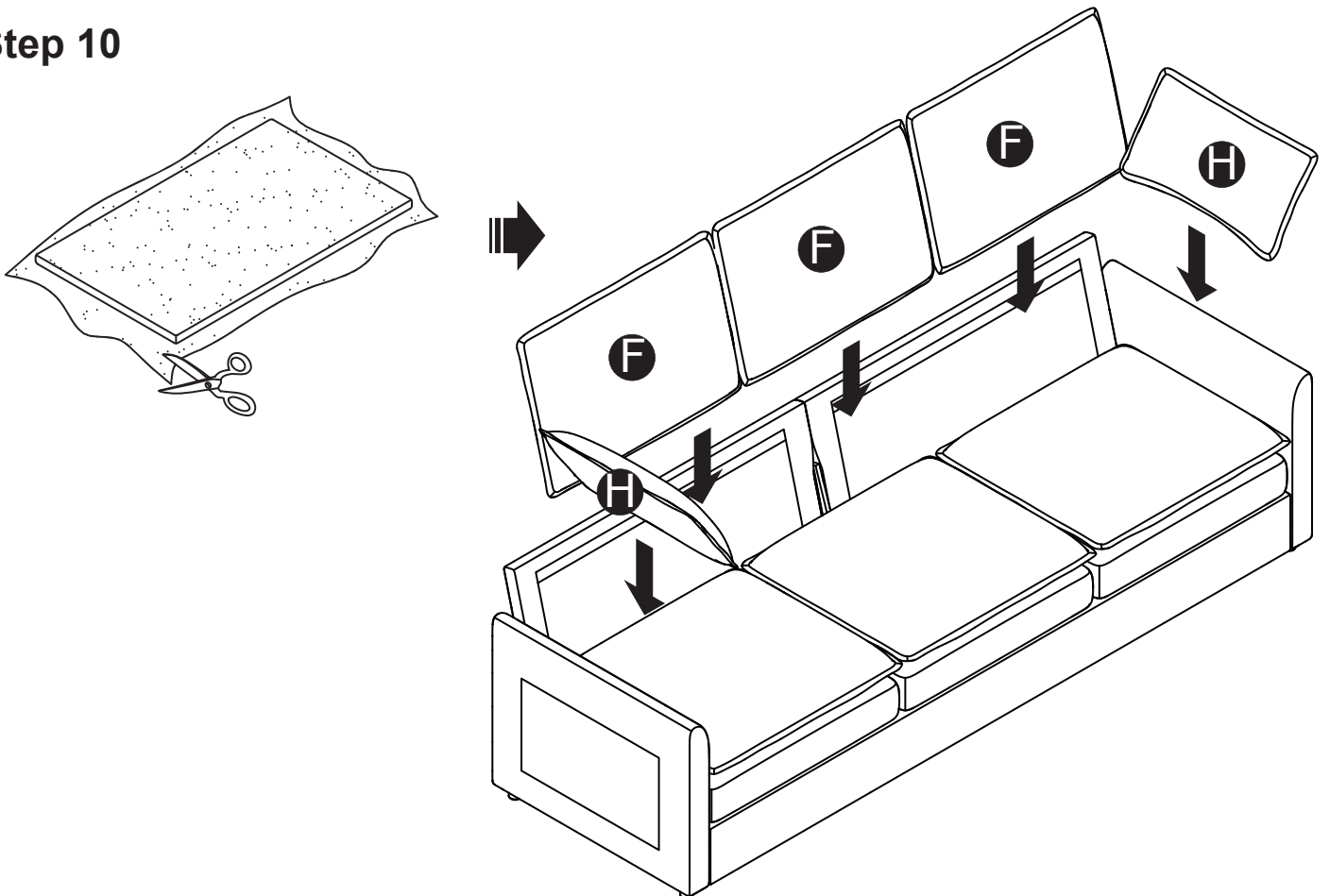


Attach the velcro on the 2 sides of the back and connect 2 back frame by zippering up the center of the back.

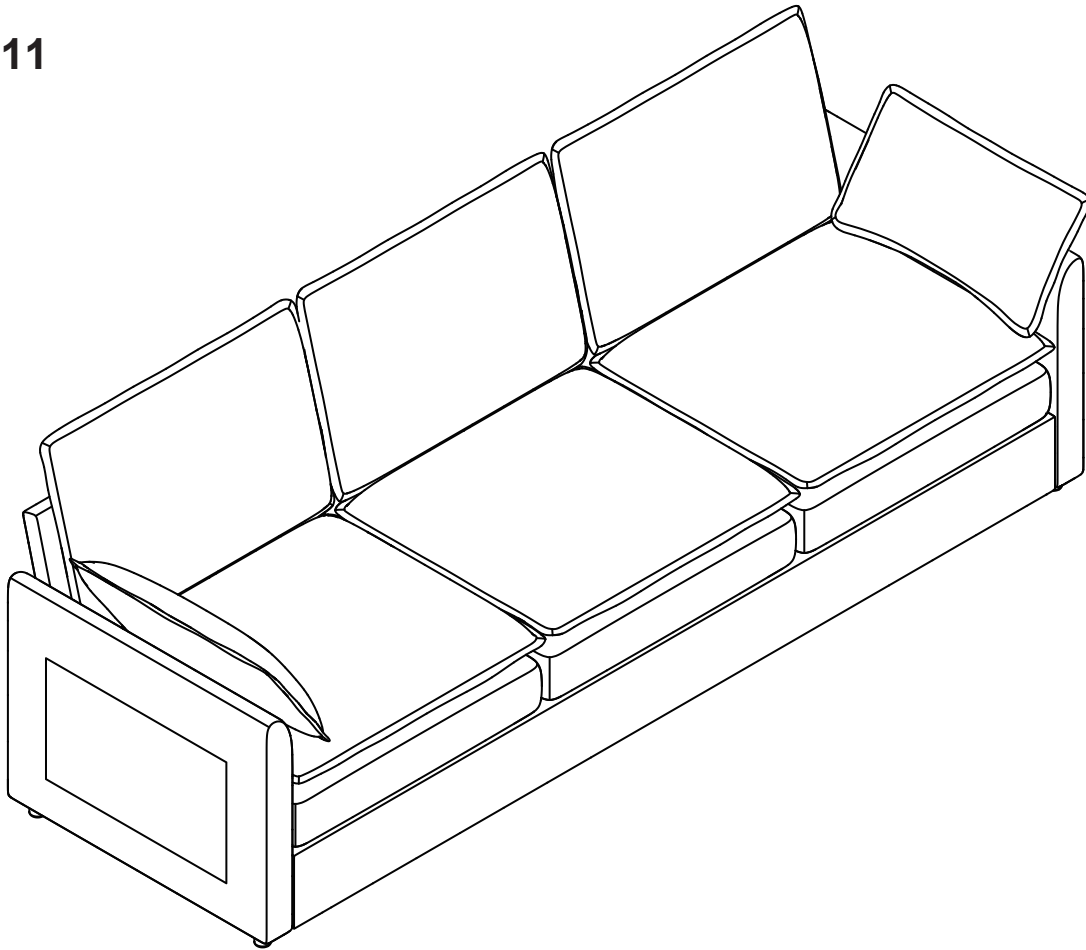
Step 9



Step 10



Step 11



**The product has compression parts,
Please pat them by hand and wait 72 hours, the cushions will be recover.**