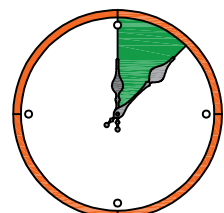
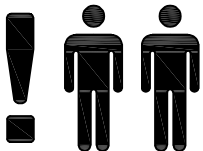
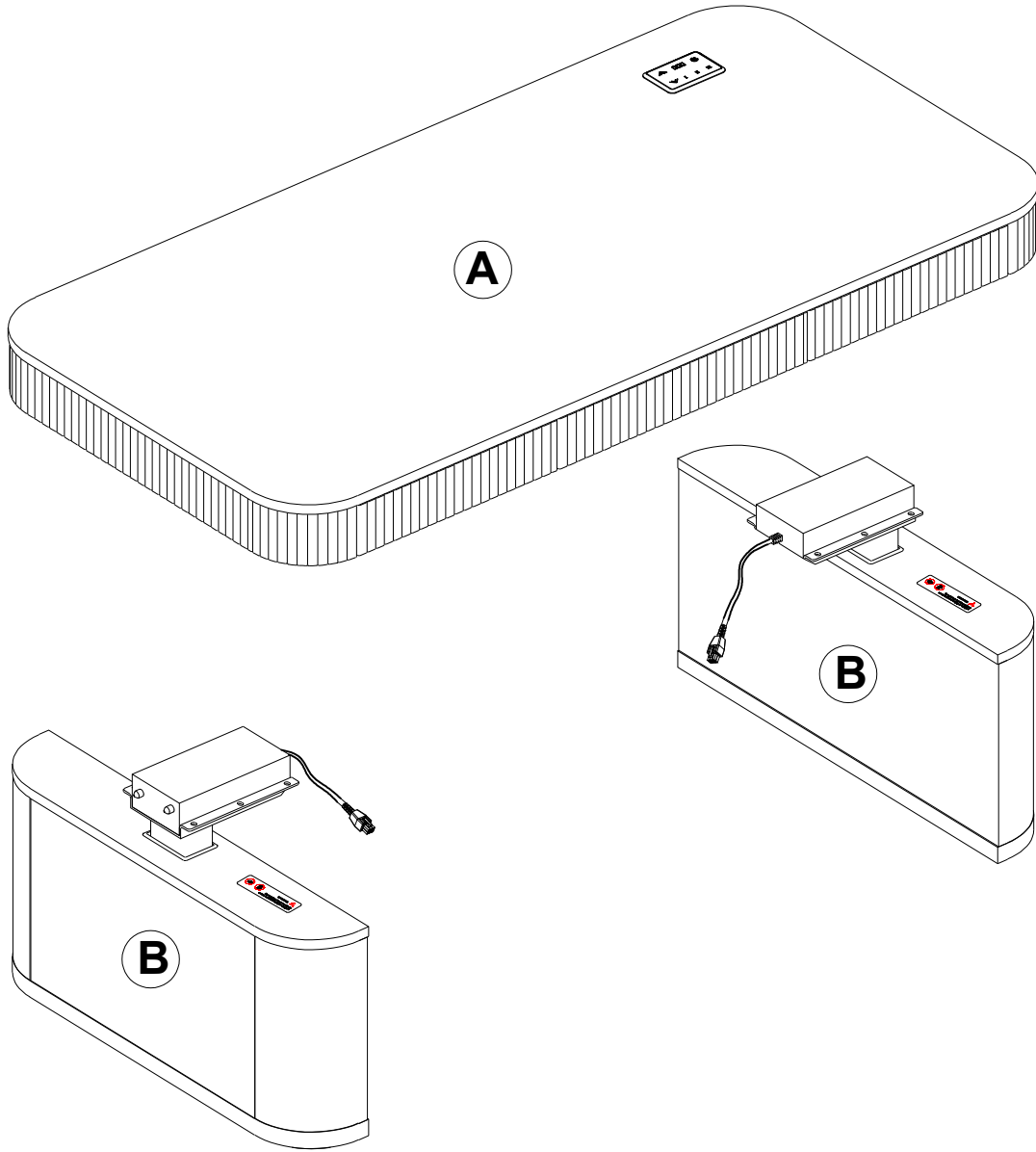


OWNER MANUAL

Thank you for purchasing this Liftable Table.

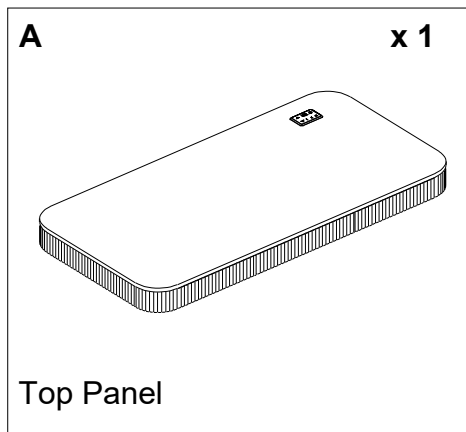
Please read the instructions and warnings carefully before use, to ensure safe and satisfactory operation of this product. We are committed to making great products possible. From our in-house Design Team, to our Buyers, we work together to bring great designs to life. Our expert Product Technologists work collaboratively with our buyers and suppliers to assure the legality, safety and quality of the product we sell. We are all committed to designing and developing products to the highest industry standards. We hope you are happy with your product and welcome any feedback or comments you may have.

Exploded Diagram

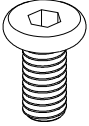
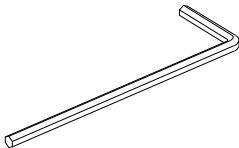
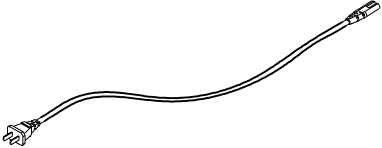


Around 15 min

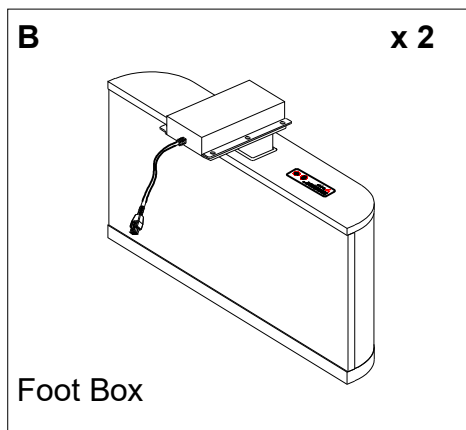
PARTS LIST (Carton A)



HARDWARE LIST (in Carton A)

| | | | | | |
|---|---------------|---|------------|---|------------|
| 1 | x 12+1 | 2 | x 1 | 3 | x 1 |
|  | |  | |  | |
| Bolt M6x12mm | | Wrench | | Power Cord 2.5M | |

PARTS LIST (Carton B)



Before your installation, please make sure that you have all the parts listed on the manual. If you find something missing, stop installing and contact your supplier immediately.

NOTE: Should be assembled on soft surface to keep balance.

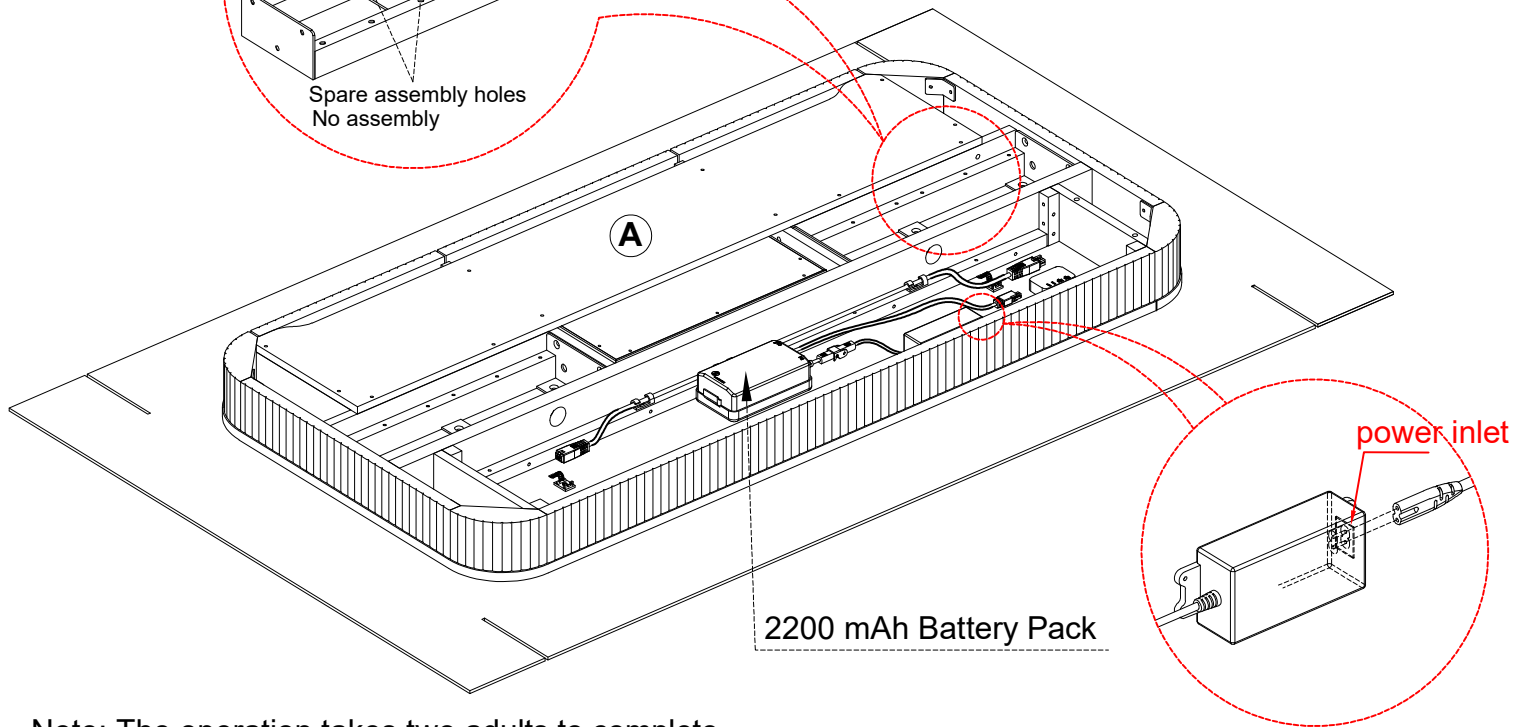
ASSEMBLY INSTRUCTION

STEP 1

Note:

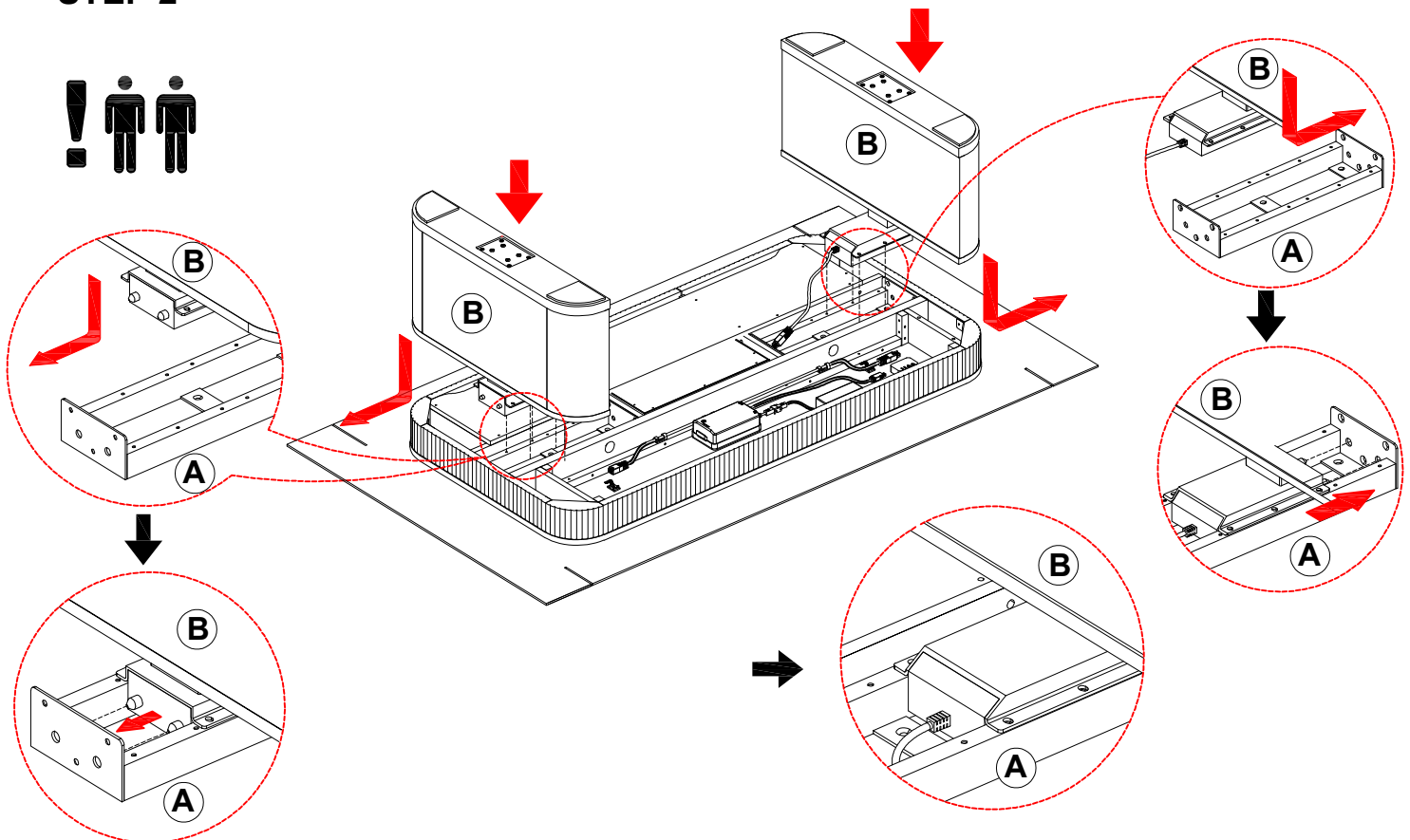
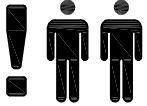
Assembly hole
Align with the outer edge

Spare assembly holes
No assembly





Note: The operation takes two adults to complete.

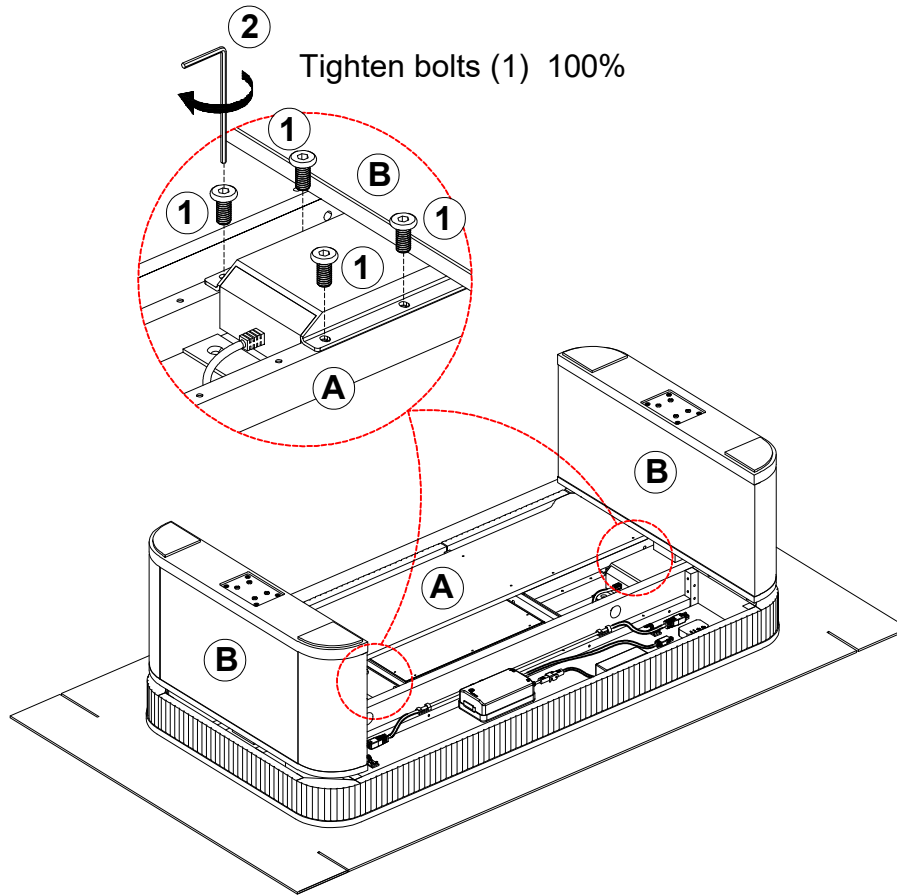
STEP 2



Put foot box into the bottom of table and carefully slide it to both sides respectively until it is completely aligned on both sides.

STEP 3

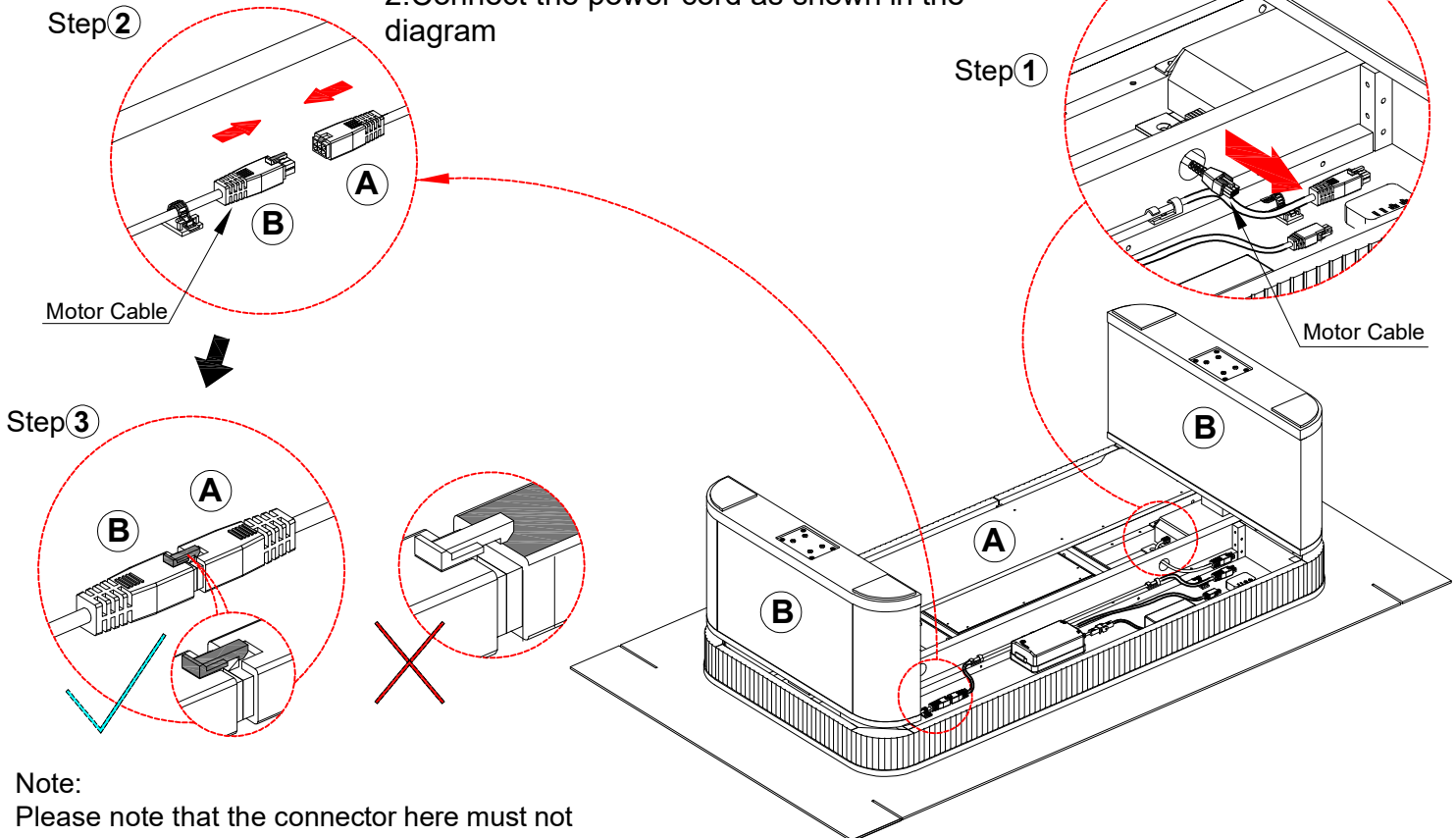
| | | |
|---|---|-----|
| 1 |  | x 8 |
| 2 |  | x 1 |



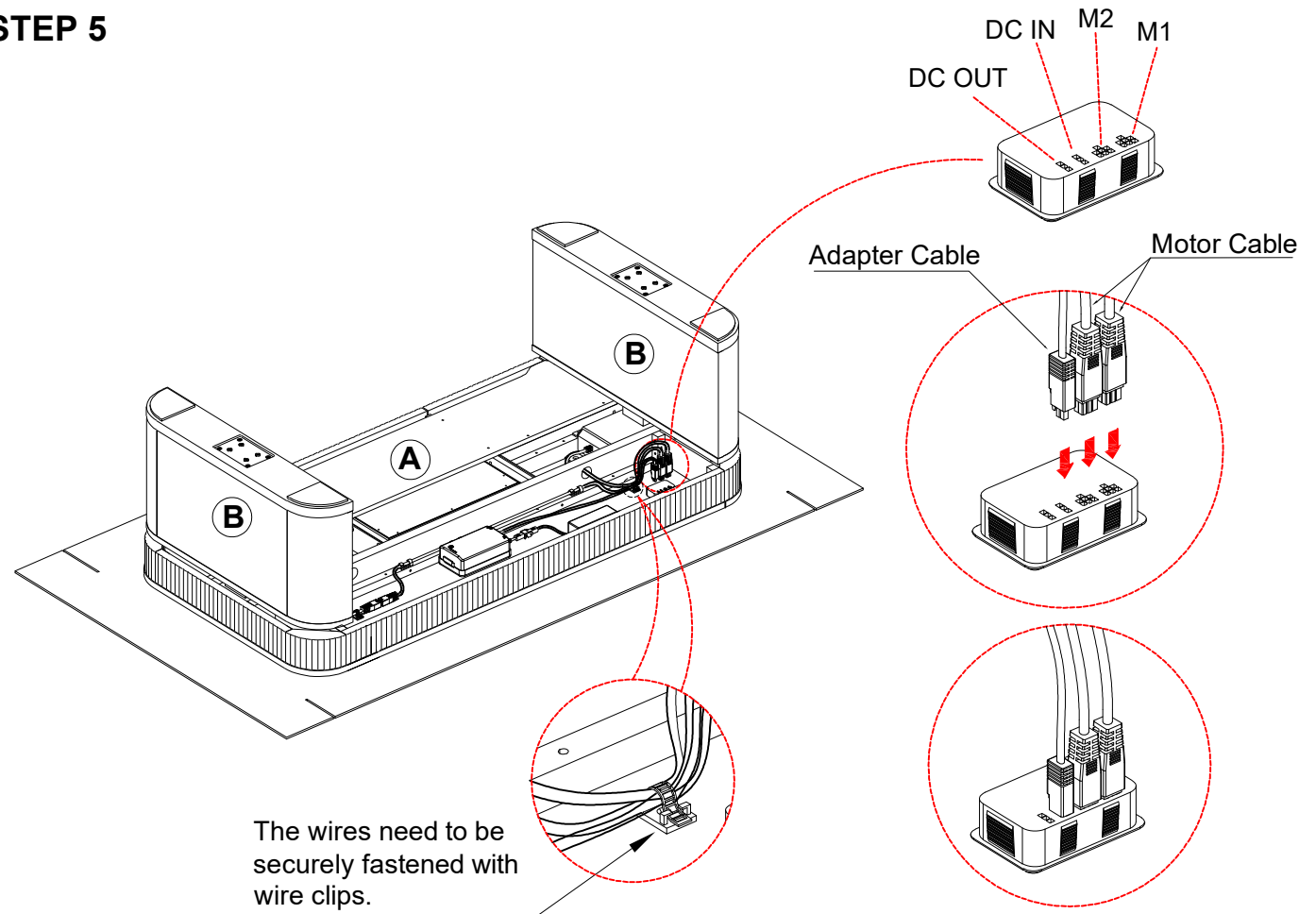
Use the wrench (2) to tighten bolts (1) to approximately 100%.

STEP 4

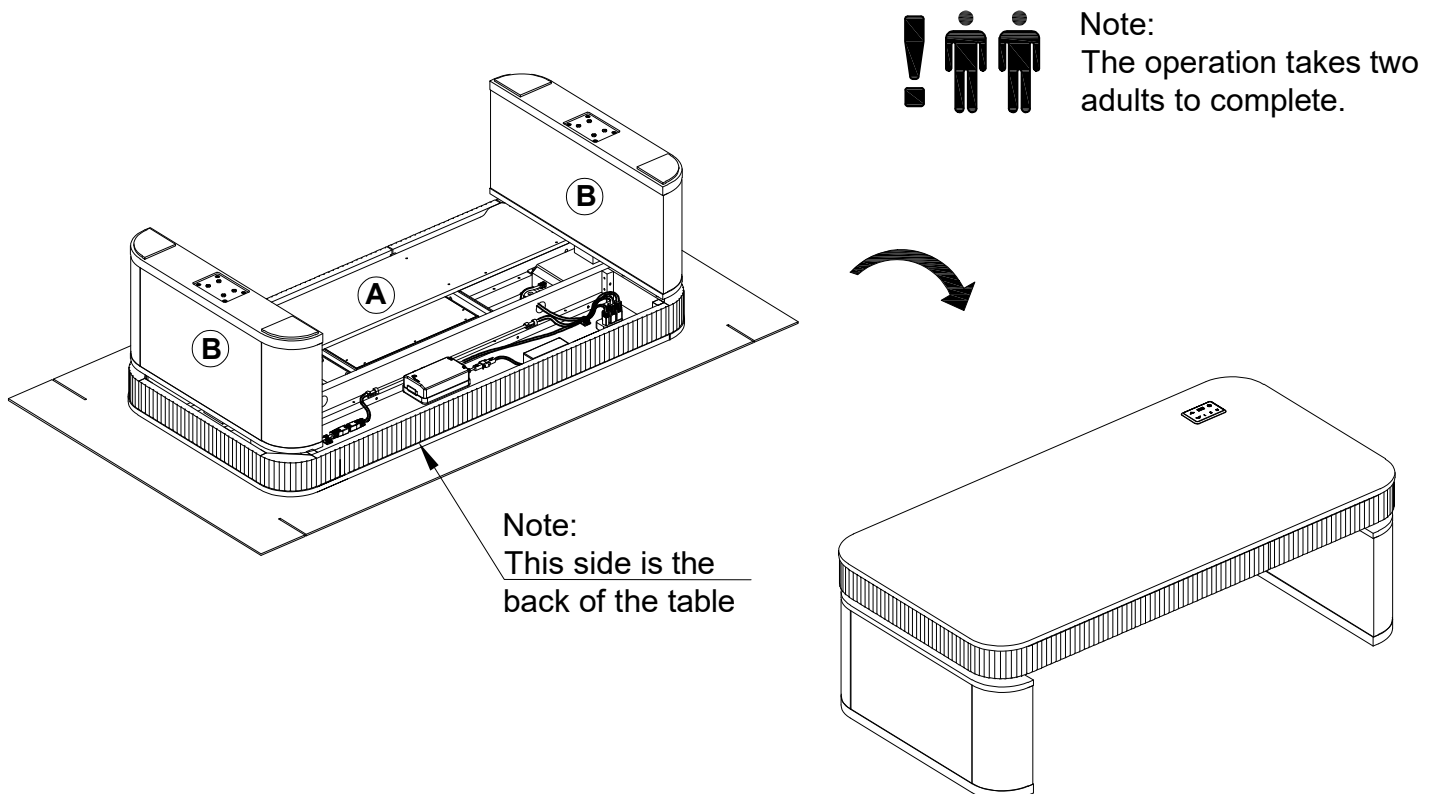
1. Pull the motor cable out through the holes of top panel (A).
2. Connect the power cord as shown in the diagram



STEP 5



STEP 6

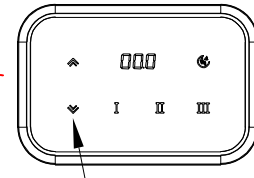
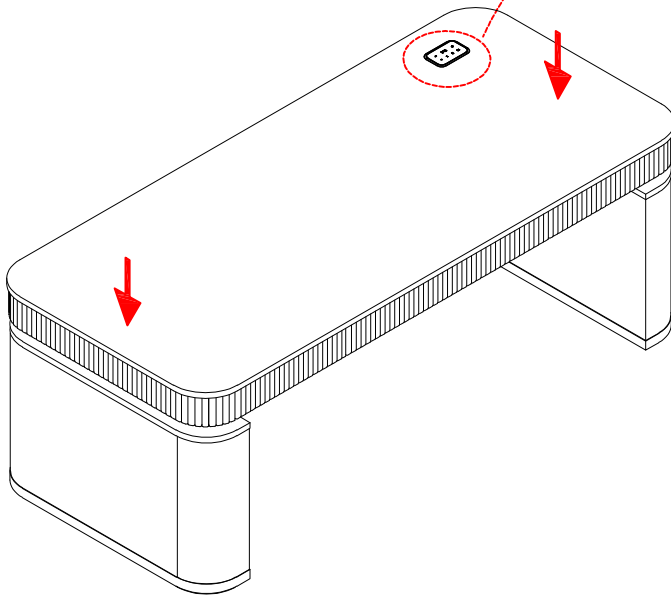


Flip the products forward in order, as shown.

STEP 7



controller
needs to be reset



Downward

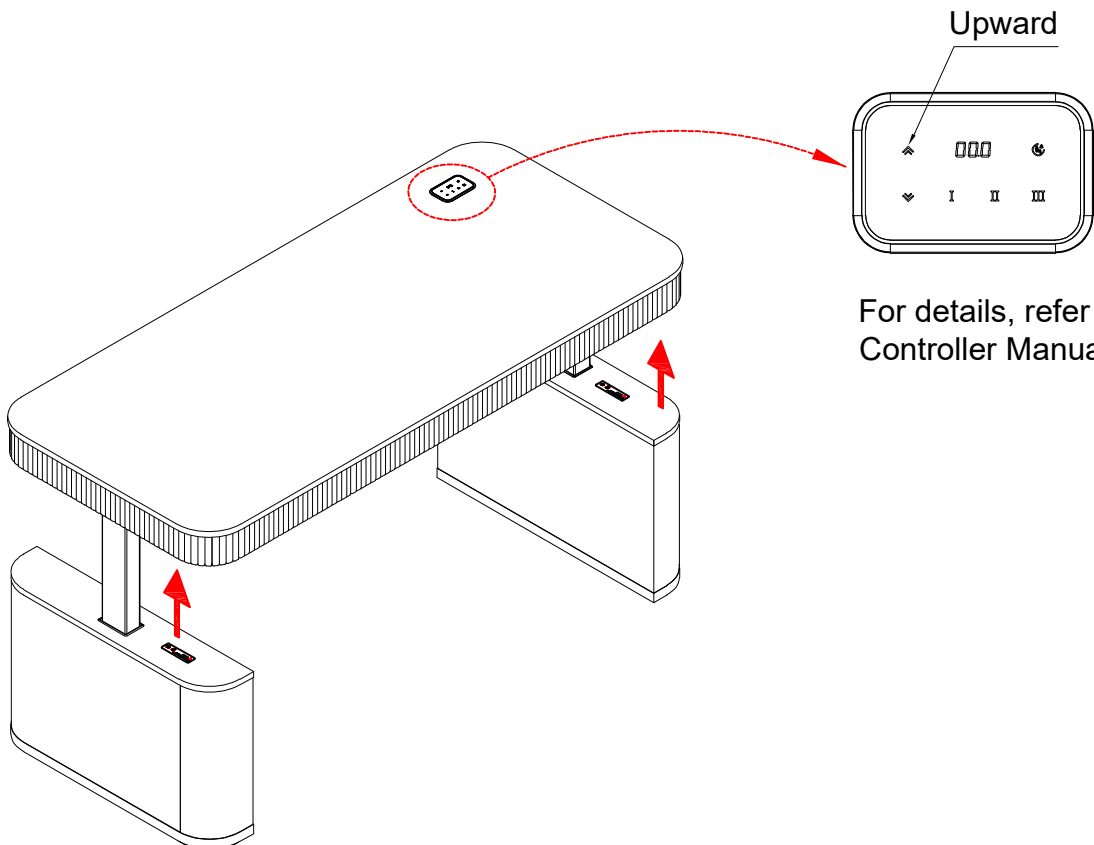


Reset Operation:

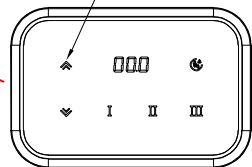
1. Press and hold the "▼" button for 5 seconds until "RST" appears on the display.
2. Press and hold the down "▼" button until you hear a "di" and the display shows the lowest height. During this process, the desk will rebound by about 10 mm. The controller will only function normally after the reset is complete.

Once the power is on, you'll need to restore the settings. For details, refer to the operating manual. If the battery pack has no power remaining, please connect the power cord to recharge it.

STEP 8



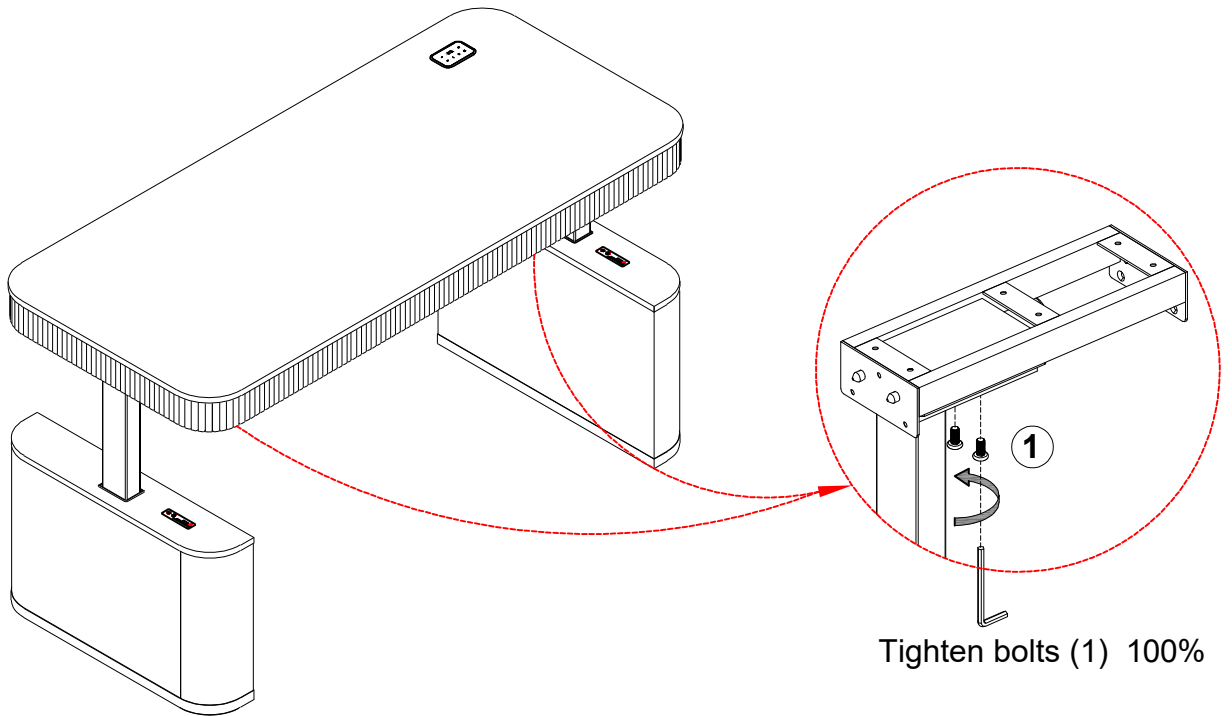
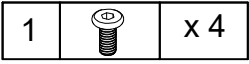
Upward



For details, refer to the
Controller Manual.

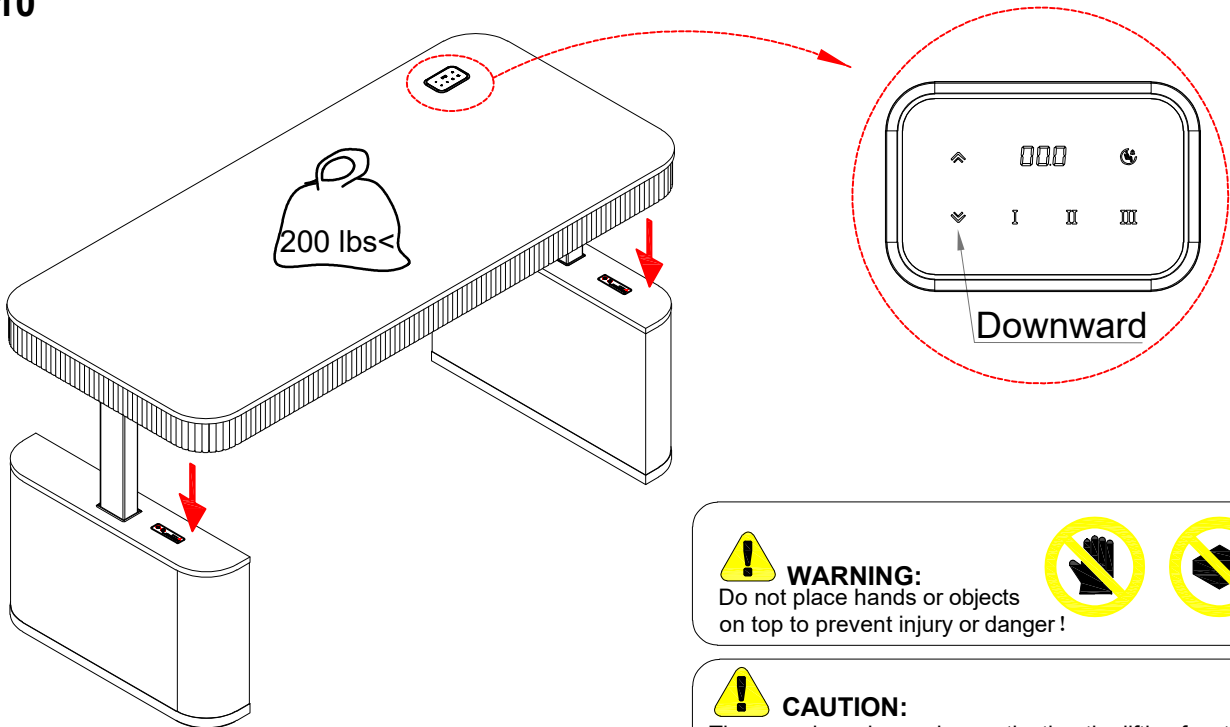
Press the rise button to raise the tabletop.

STEP 9



After raising the desktop, lock all the Bolts from the bottom.

STEP 10



WARNING:

Do not place hands or objects on top to prevent injury or danger!



CAUTION:

The sound you hear when activating the lifting function is normal and is caused by the high speed of the motor.



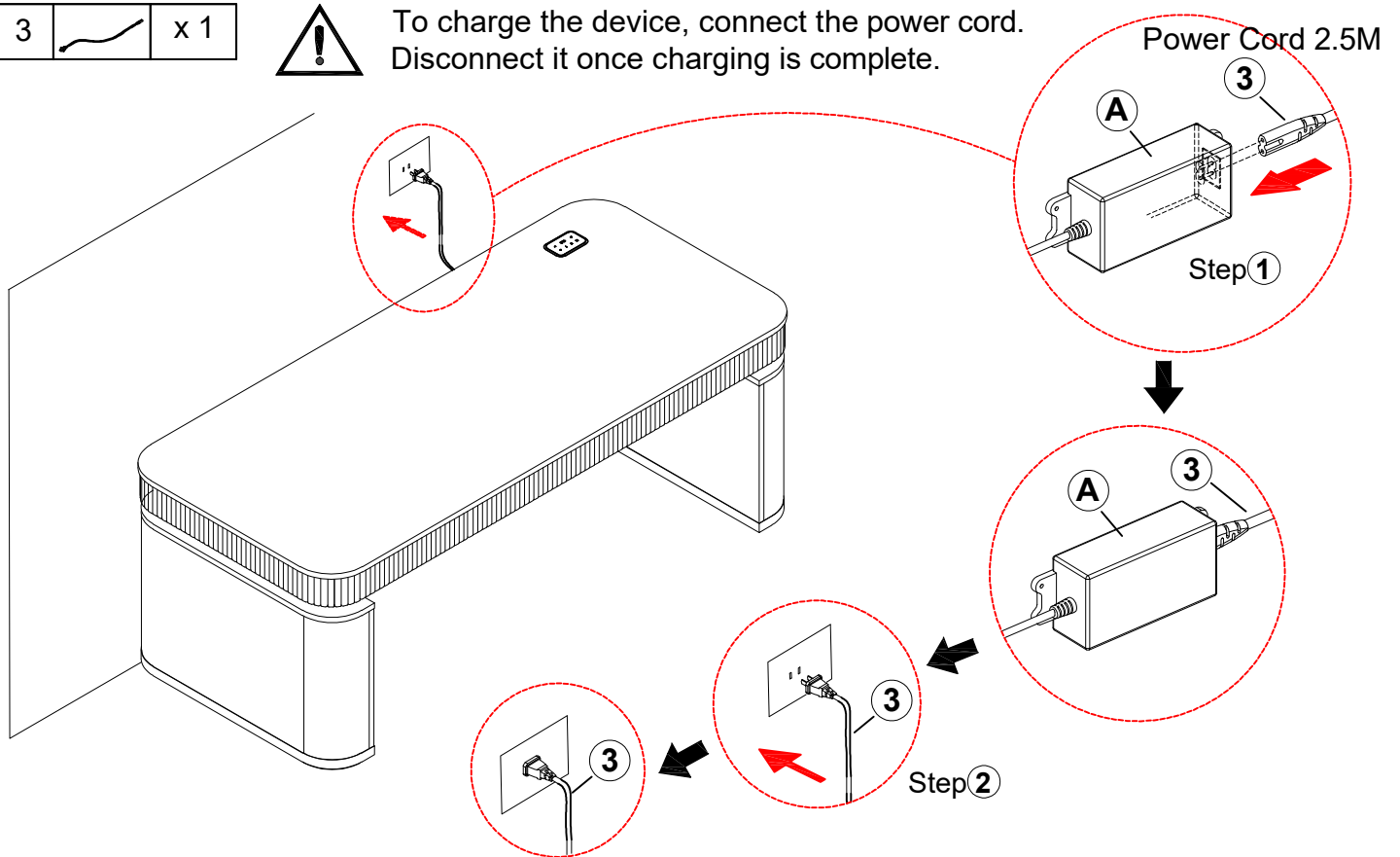
WARNING:

1. The load of the lifting table must be less than 200 LBS!
2. When raising or lowering the tabletop, ensure that the tabletop remains stationary and does not move!

STEP 11



To charge the device, connect the power cord. Disconnect it once charging is complete.



Insert the power cable into the adapter and turn on the power supply

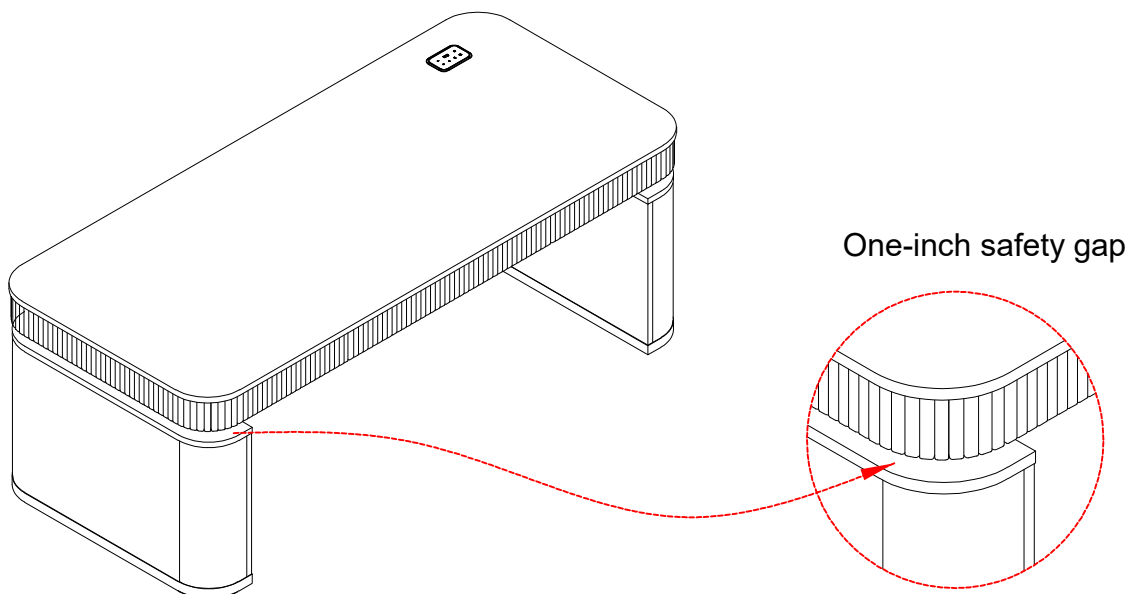
STEP 12

1. **Adjustable Lift-Top Design:**

Easily transforms from a sleek coffee table into a convenient dining or work table — perfect for flexible living spaces.

2. **Built-In Rechargeable Battery Pack:**

Use it anywhere without being tied to a power outlet; plug in for charging or remove the battery pack anytime for easy maintenance and portability



MAINTENANCE AND WARNING



- Keep furniture away from heat.
- Do not clean furniture with harsh cleansers or polish. Do not use detergents, Solvents, abrasives, spray packs or leather cleaner. Use non-color mild soap with warm water clean spills(Mix 1:10 soap to water)
- Do not place furniture under direct sunlight, material will possibly fade over time.
- Do not use on site dry Cleaning machine.
- Children should not climb or jump on the furniture.
- Do not write on furniture without a padded barrier to protect the surface.
- Not for commercial use, For residential use only.
- The maximum load is 200 LBS.

WARRANTY

We strive to offer high-quality products, and we also try our best to satisfy each and every customer that orders from us with product or service as needed. We provide 30 days warranty starting from the time you receive the item. Each customer must provide a record of their order such as the order number, or item receipt for any items that are out of the warranty period you may also still receive replacement parts by purchasing them with our company if they are available.

Are you having difficulty with assembly? Missing parts? Please send email with your order No to US.

For return, please check the return policy with the retailer or market place you bought from. Appreciate your purchasing from us. Pop up your life by our furniture piece!

MAINTENANCE AND WARNING



General Safety Warnings :

- **WARNING:** Risk of Electric Shock. Do not disassemble or modify the power unit.
- **CAUTION:** To reduce the risk of injury, keep all body parts and clothing away from moving parts.
- Use only the specified power adapter and battery pack.
- Do not use the recliner if the power cord or plug is damaged.



Battery-Specific Warnings :

- **WARNING:** Risk of Fire or Explosion.
 - Do not crush, puncture, or dispose of the battery in fire.
 - Do not short-circuit the battery terminals.
 - Only use the battery in the table for which it was designed.
- Do not expose the battery to excessive heat or moisture.



Operating Instructions :

- Fully charge the battery before first use.
- Do not operate the table while charging.
- Store the battery in a cool, dry place when not in use.



Disposal Instructions :

- Dispose of the battery according to local regulations for hazardous materials.
- Do not throw batteries in household trash.



Transportation and Shipping Warnings :

- This product contains a lithium-ion battery. Handle with care and follow all transportation regulations.
- Do not ship via air without proper packaging and labeling.