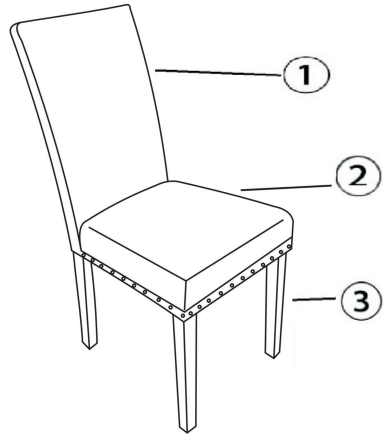
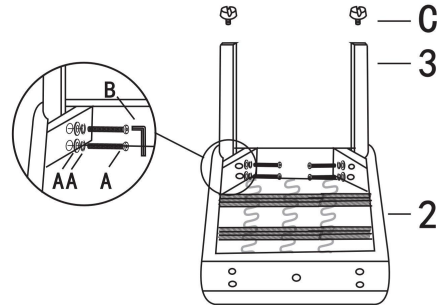


# ASSEMBLY INSTRUCTION

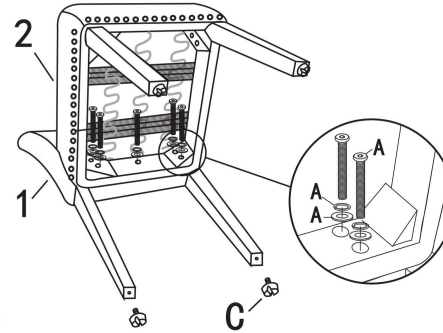


①



Insert the screws in the holes, tighten the screws, but not too tight, 90% is OK.

②



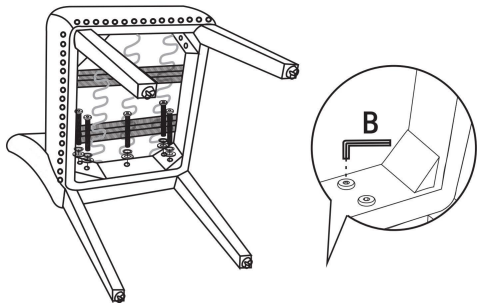
Insert the screws in the holes, tighten the screws, but not too tight, 90% is OK.

③



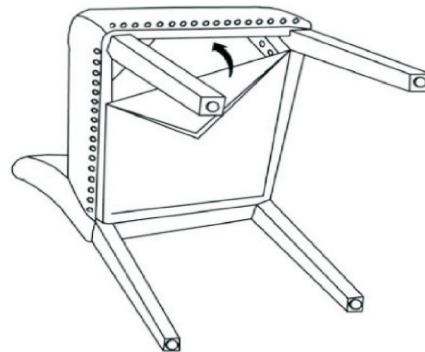
Use body weight to adjust balance of chair, then tighten all the screws all the way.

④



Tight all the screws to 100%

⑤



Stick the black part on the seat

⑥



A few days after initial assembly, the product may acclimate to its new environment. Please ensure all screws are still securely tightened.

HARDWARE LIST	CODE	PARTS	QTY.
	1	BACK	
2	SEAT		1
3	FRONT LEG		2

HARDWARE LIST	CODE	PARTS	QTY.
	A	M8x55MM	
B	ALLEN KEY		1
C	ADJUSTMENT FOOTNAIL		4

\* Tool kit is in the seat \*