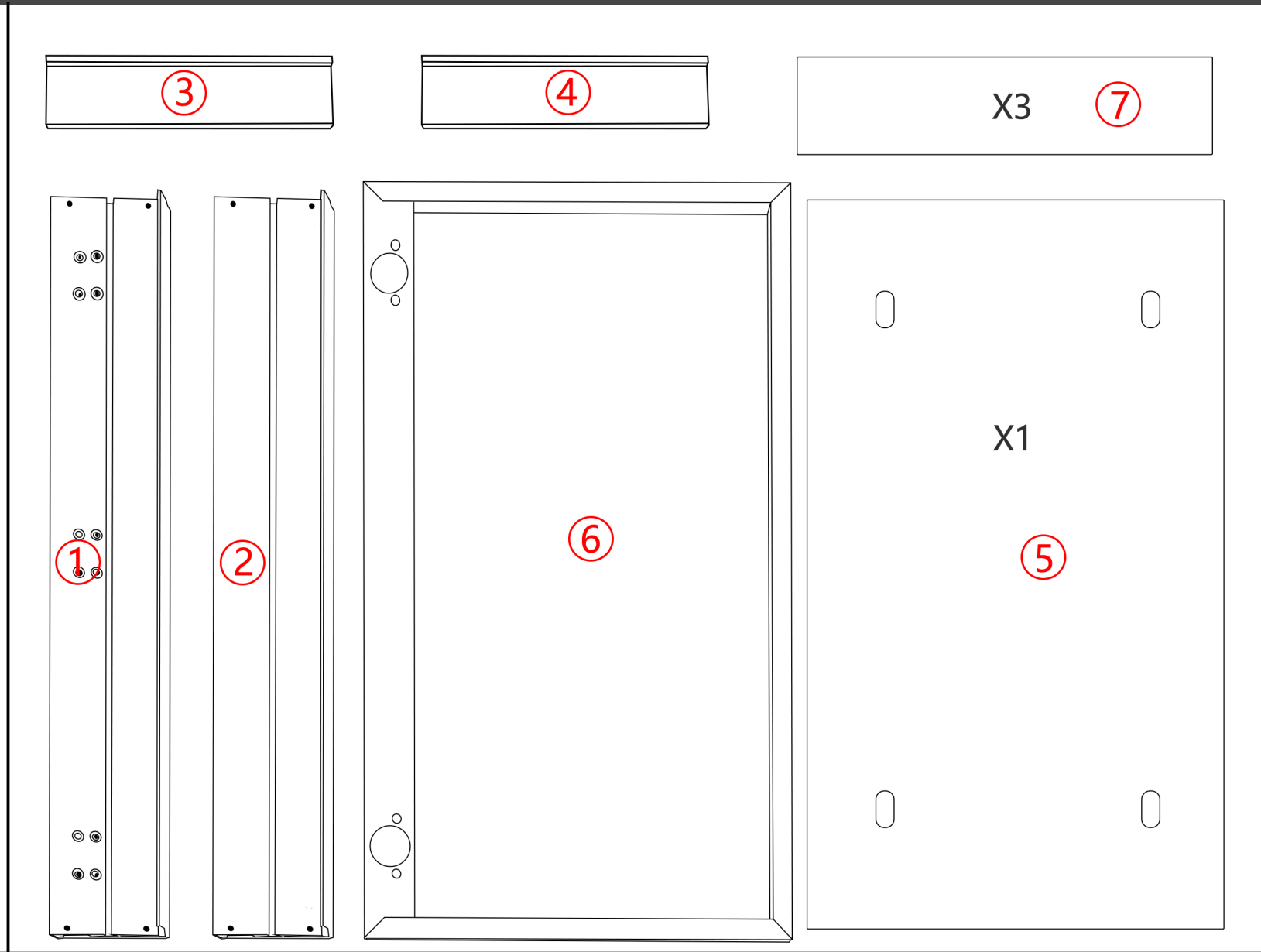
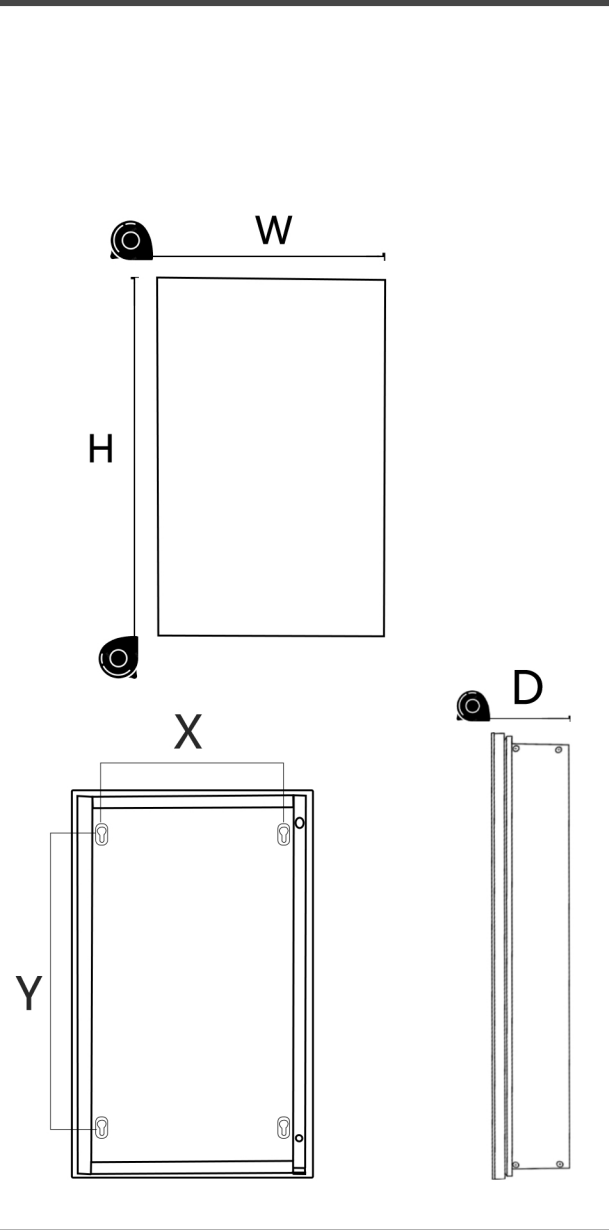
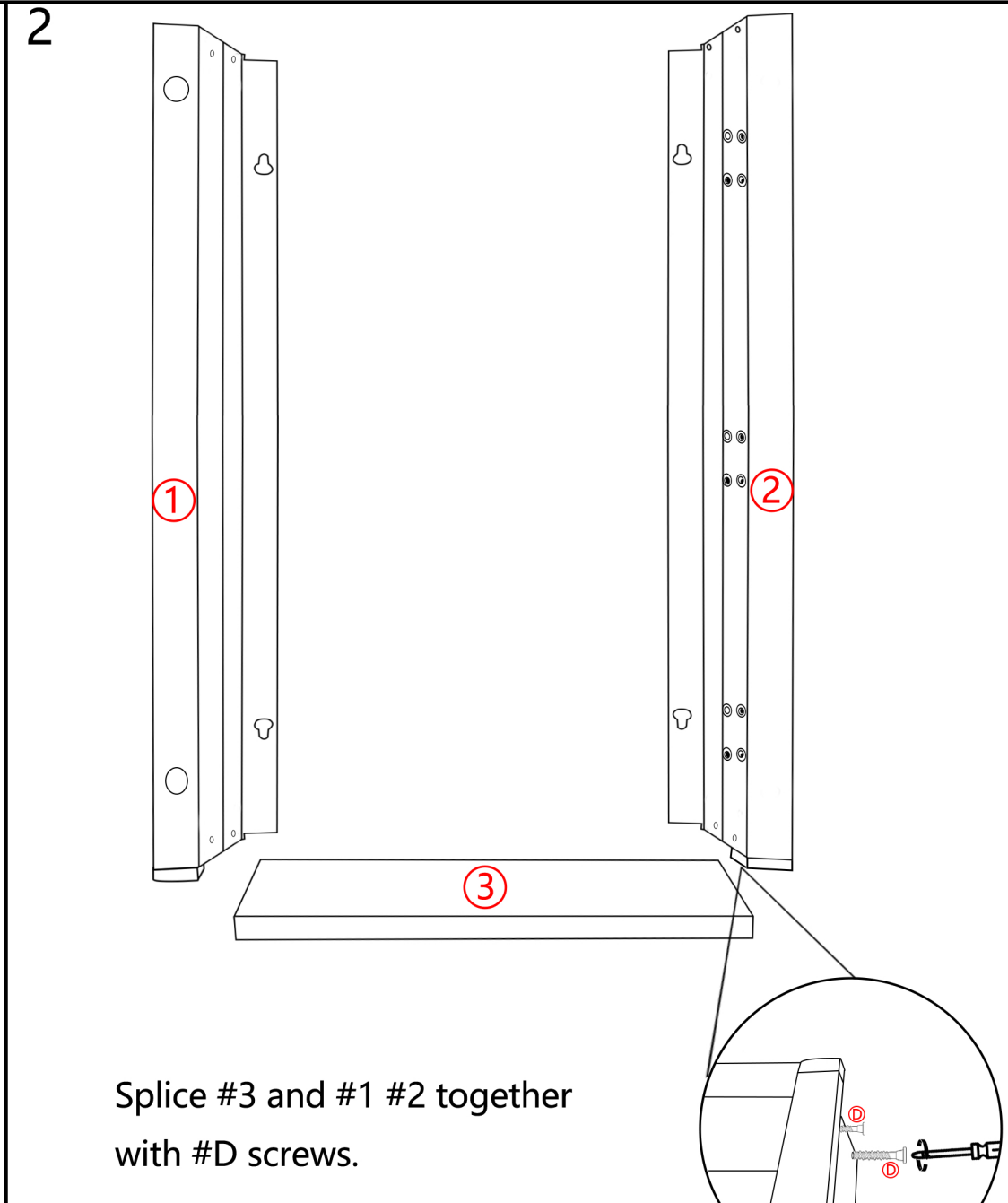
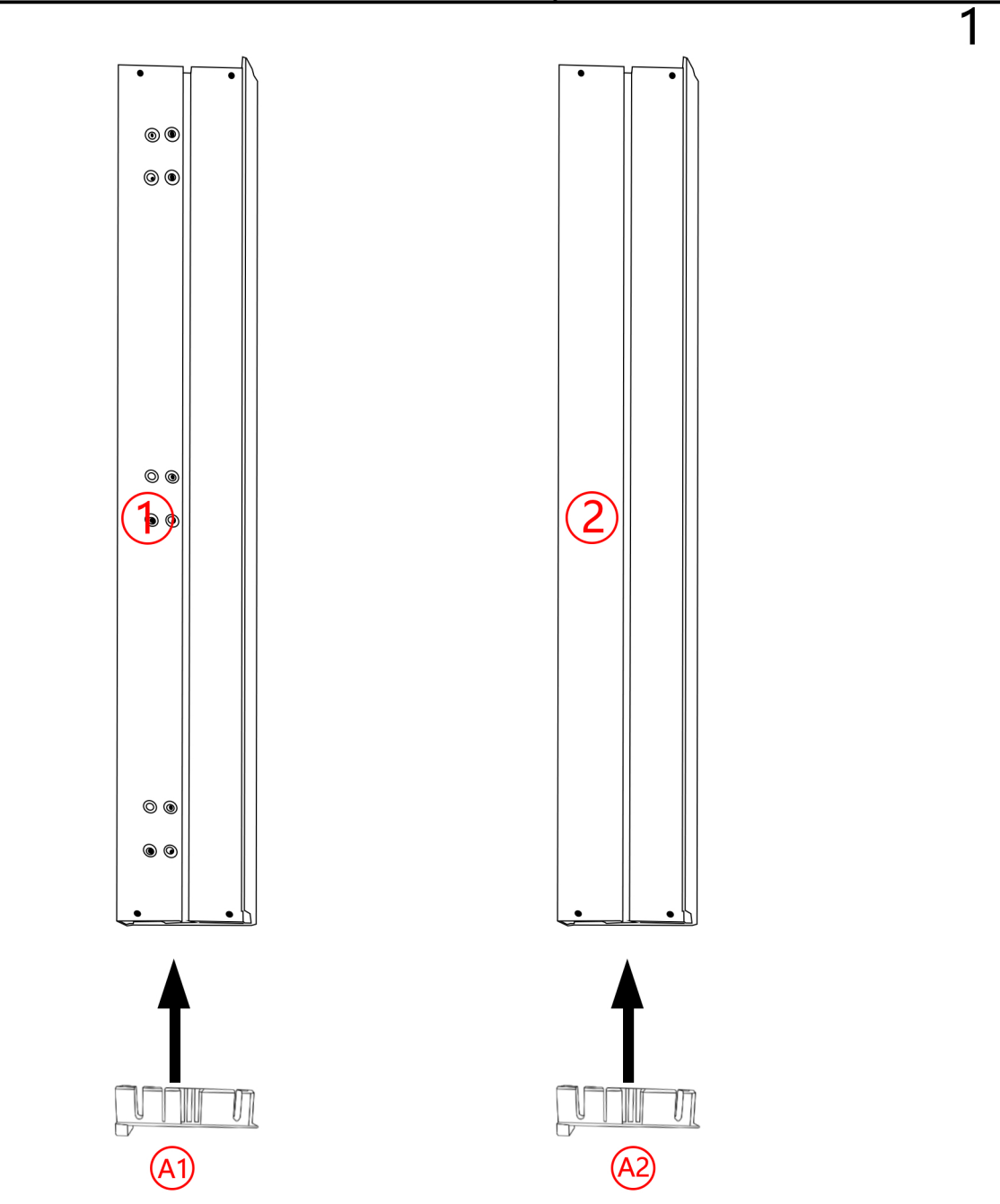
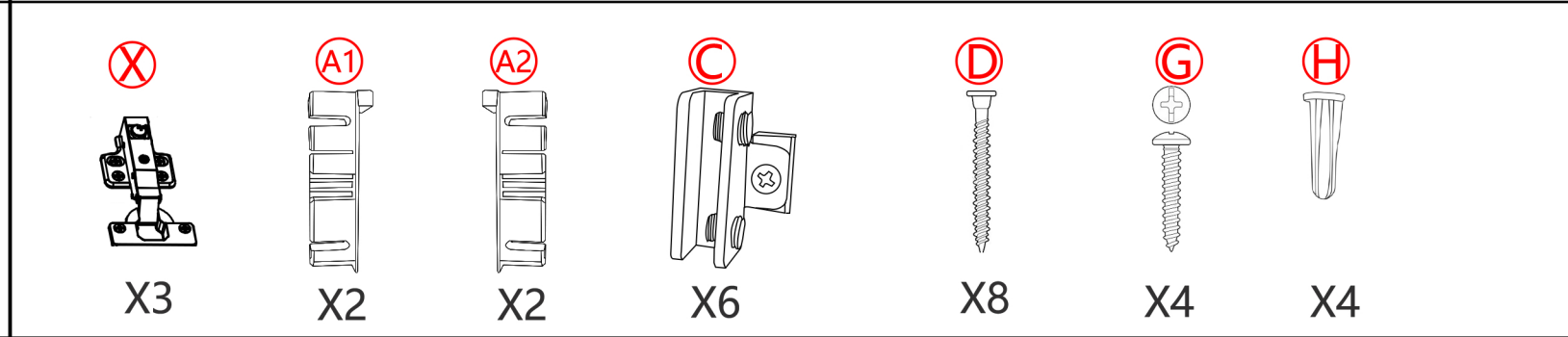


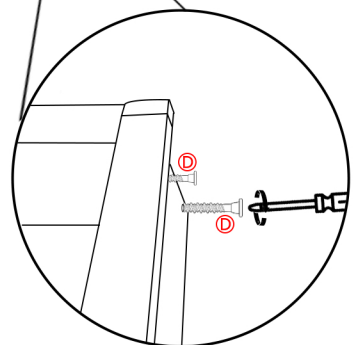
Product Manuals



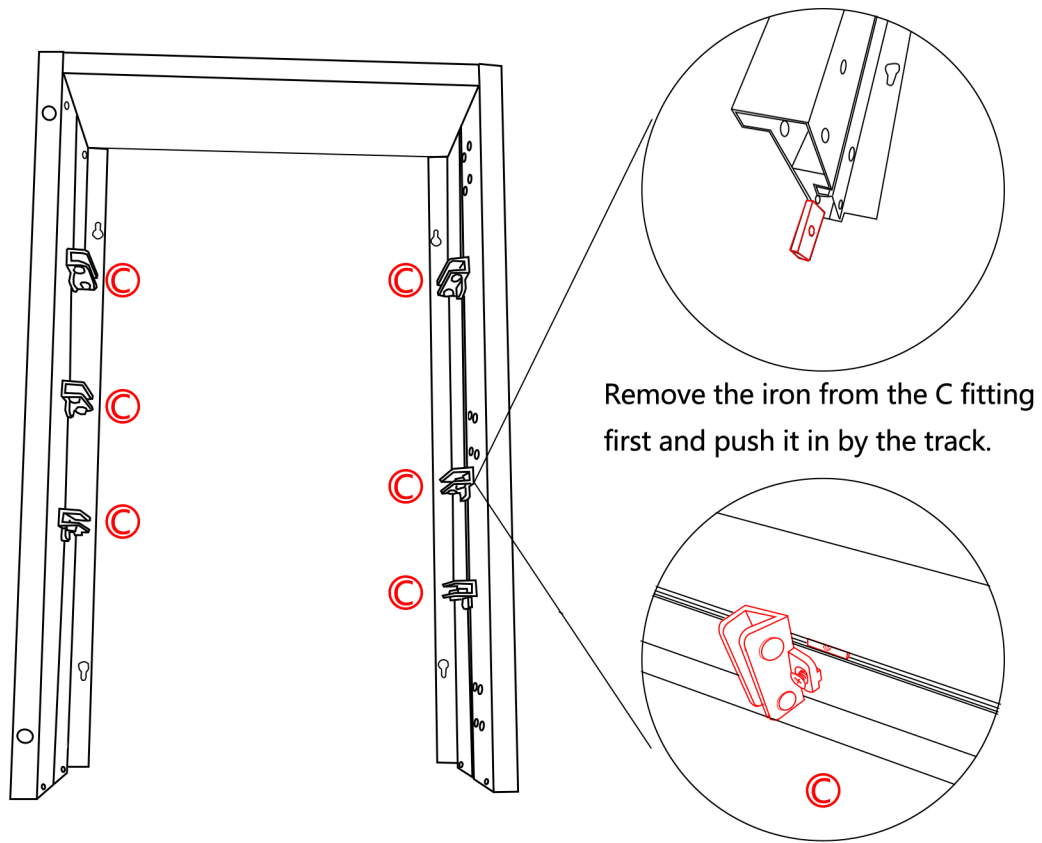
Accessory Kit



Splice #3 and #1 #2 together with #D screws.

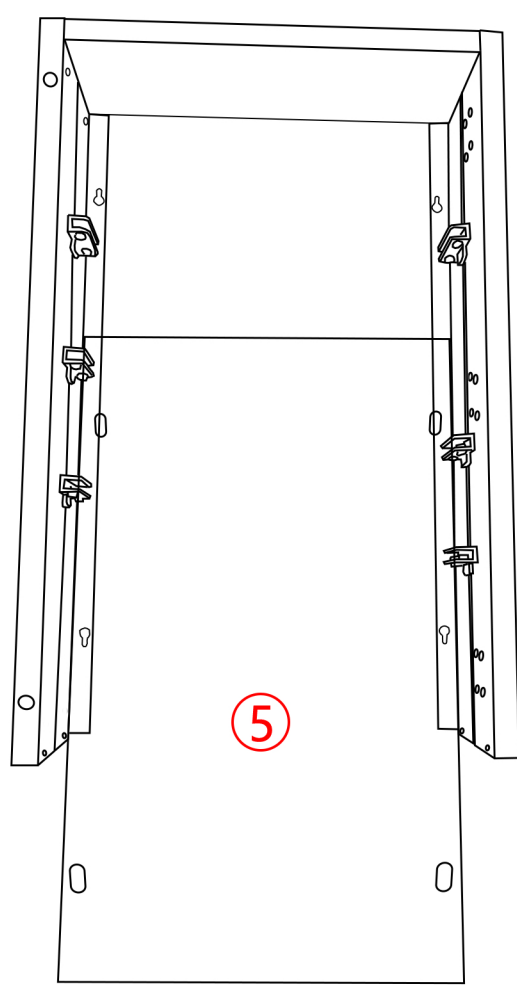


Install the A1 A2 plastic fittings on top of 1 and 2 respectively.



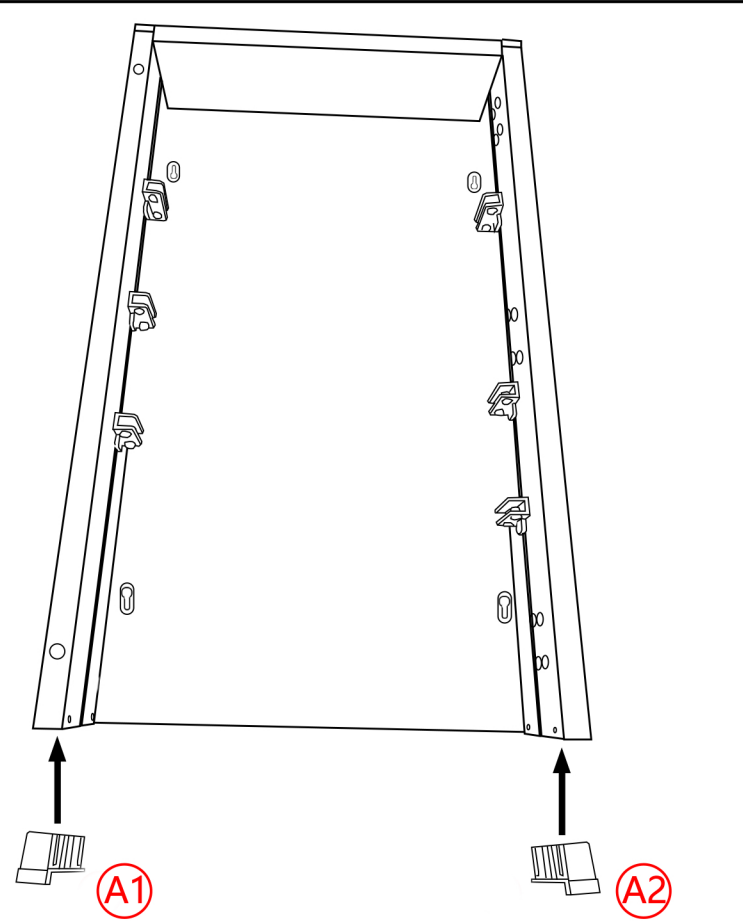
Attach C to the combo individually as per the steps.

3 4

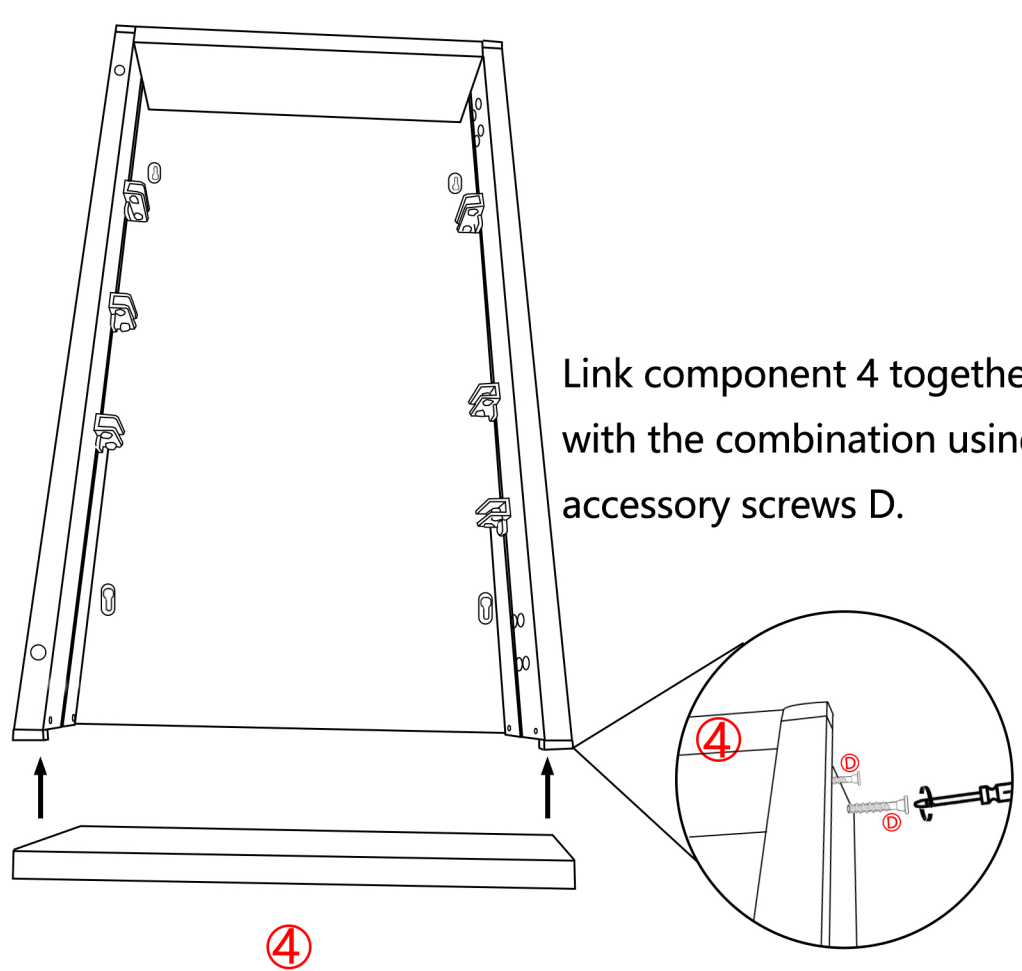


Setting of the accessory 5 with the combination.

5 6

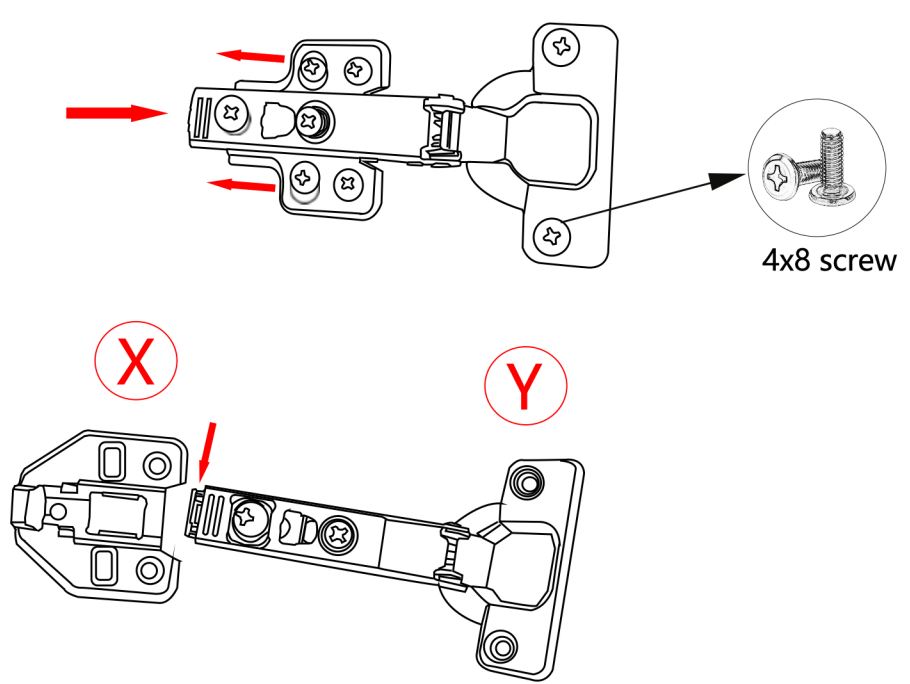


Setting of the accessory plastic component A1A2 with the assembly.

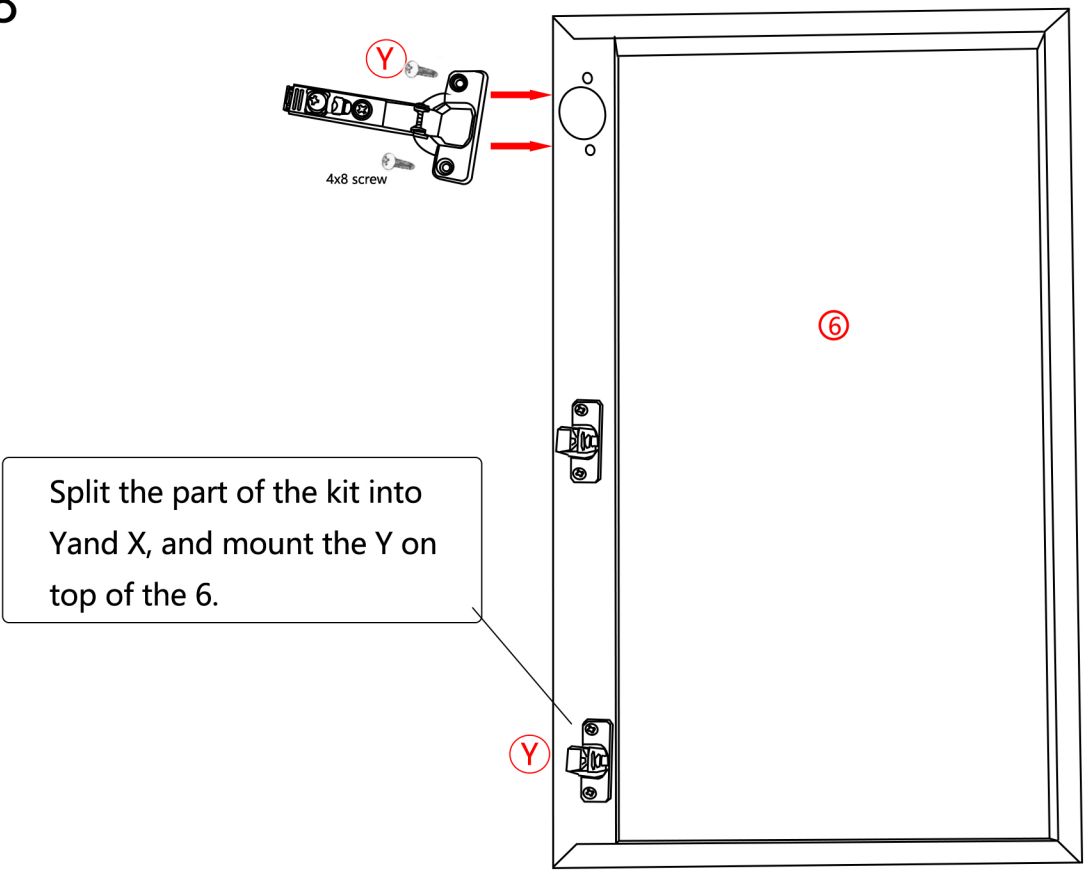


Link component 4 together with the combination using accessory screws D.

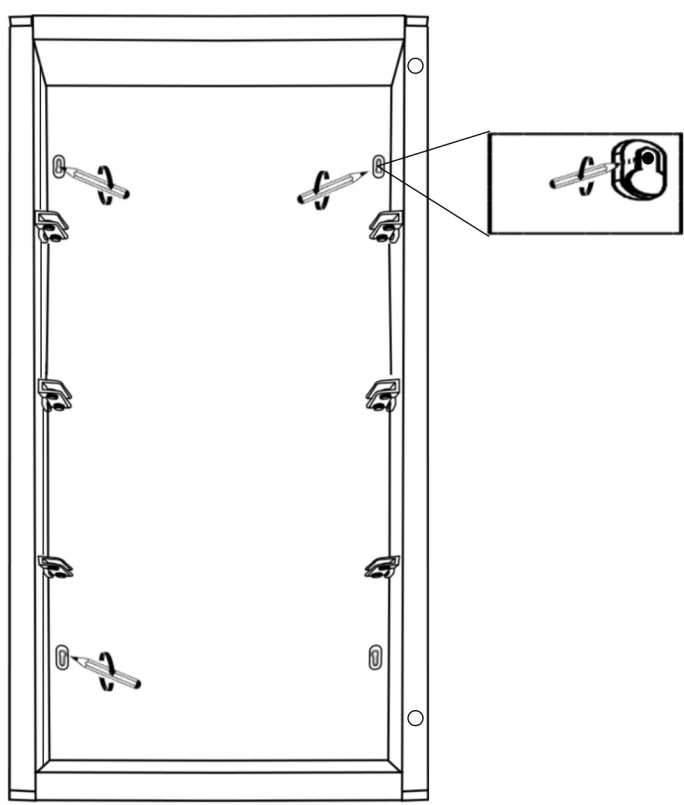
7 8



Dismantle accessory X into two parts

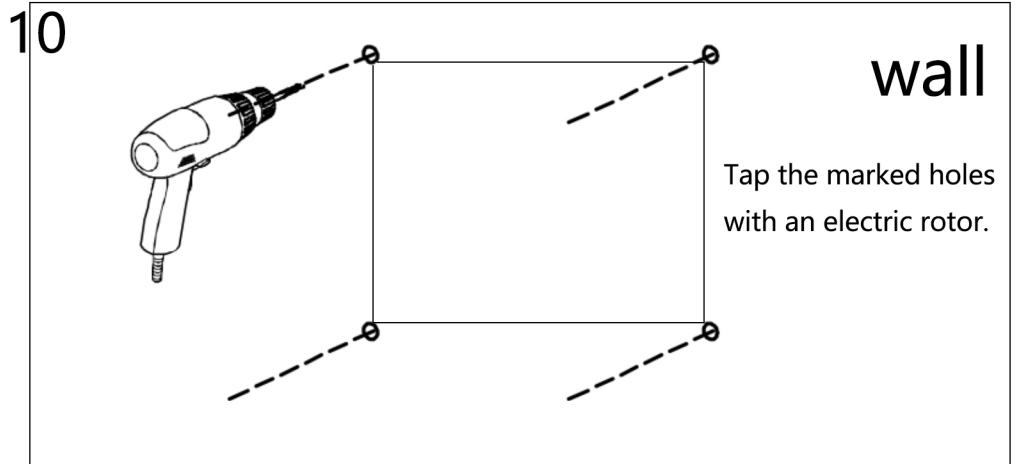


Split the part of the kit into Yand X, and mount the Y on top of the 6.

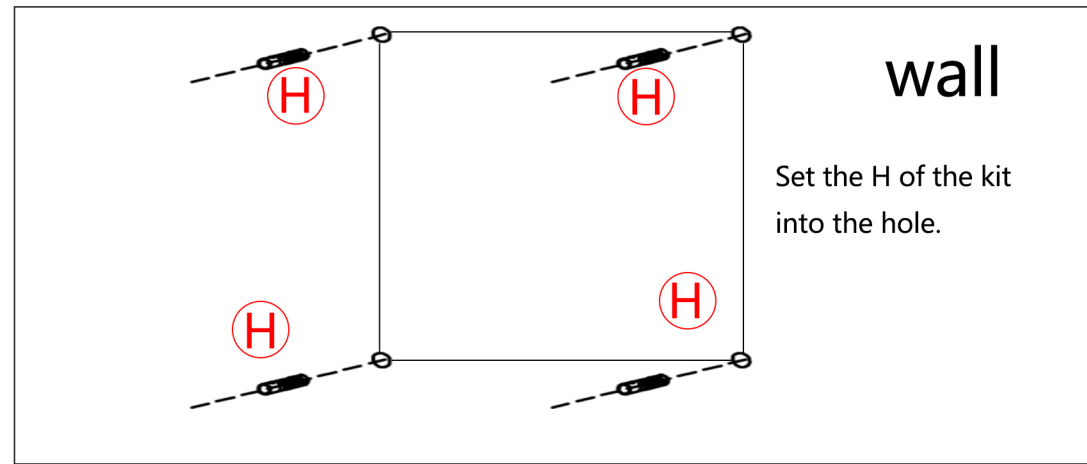


9
wall

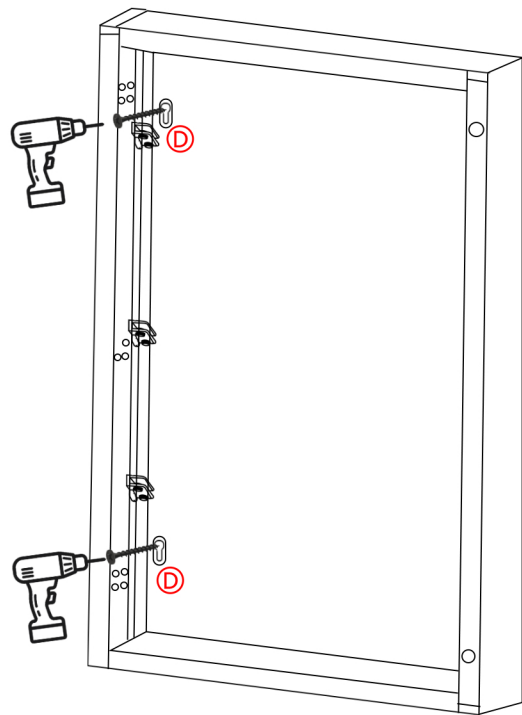
Put the cabinet on the wall and mark the holes with a paint pen.



10
wall
Tap the marked holes with an electric rotor.

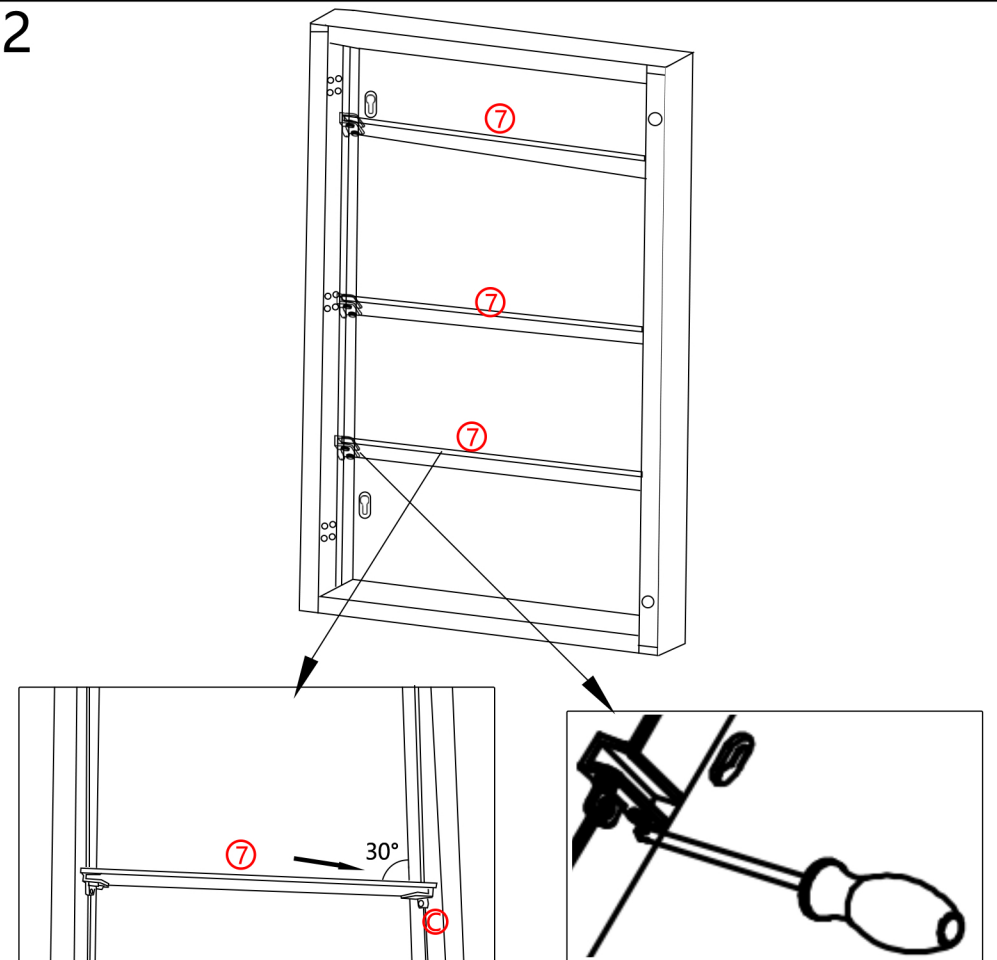


11
wall
Set the H of the kit into the hole.

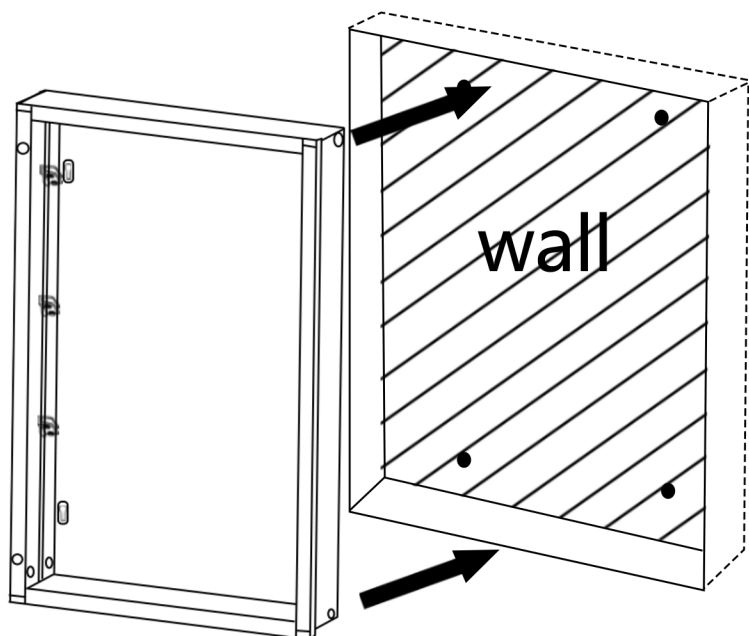


12
wall

Fix the corresponding drawn marks with screw D

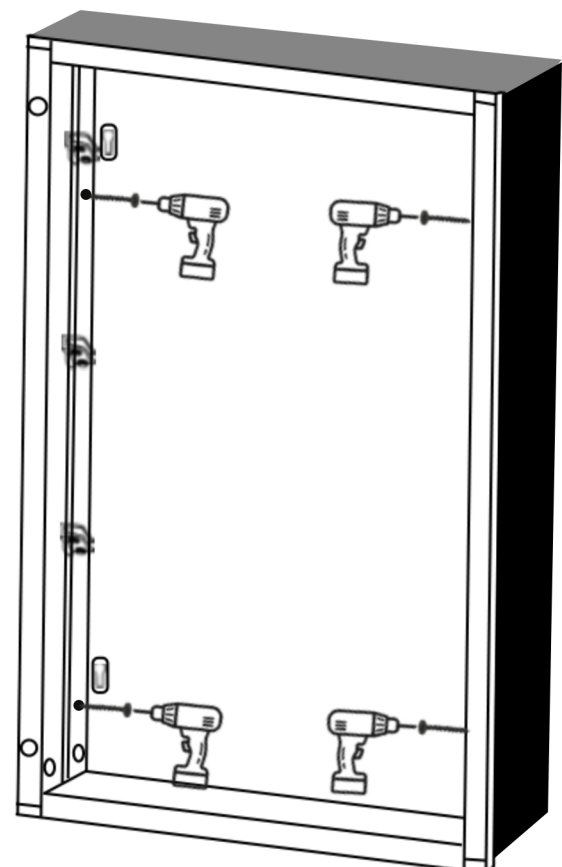


13
Adjust the balance after tilting the 7 fitting 30° to snap into the slot of the fitting C.



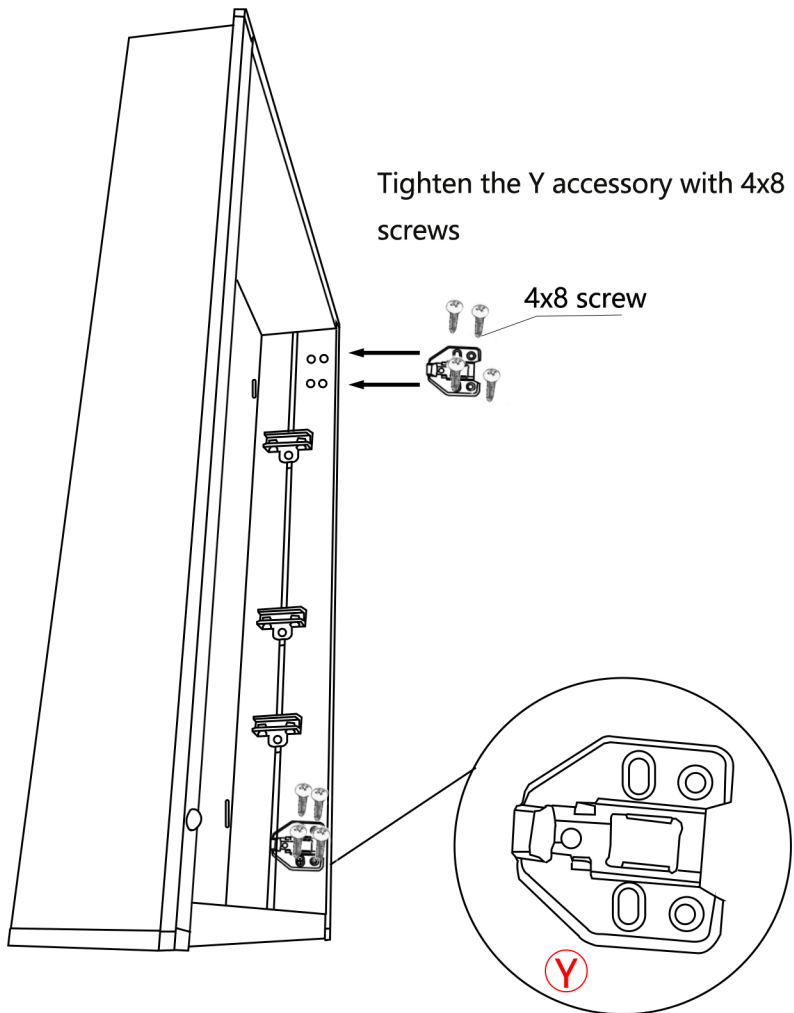
14
wall

Flush mounting: cut out position on the wall according to the dimensions of the product



15
wall

After embedding the product in the wall, fasten it with screws.



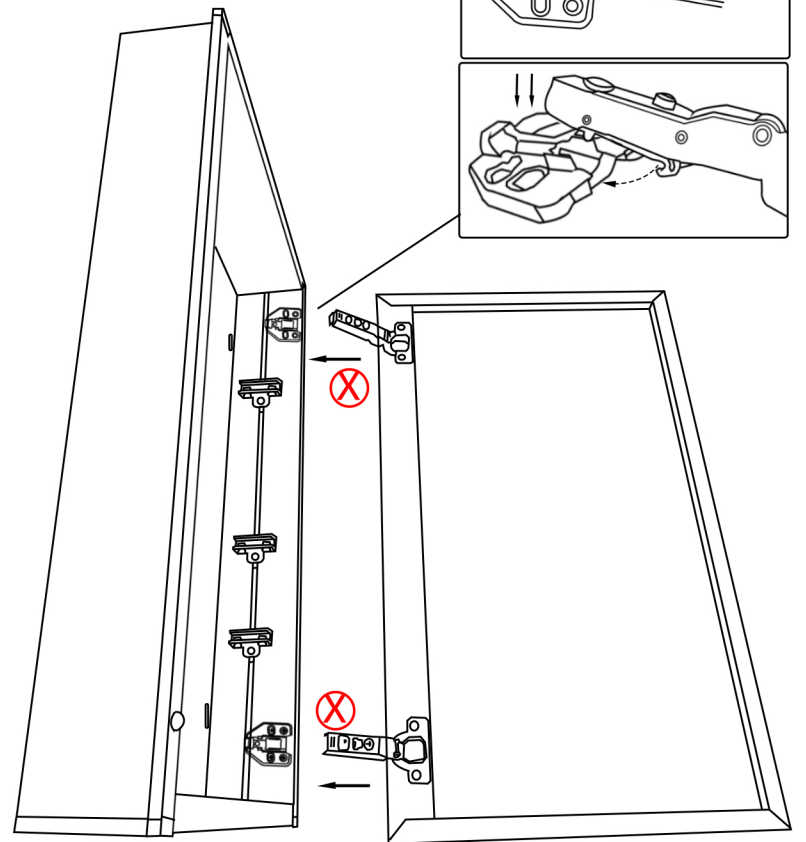
Tighten the Y accessory with 4x8 screws

4x8 screw

Attach part Y of the accessory X split to the top of the combination cabinet.

15

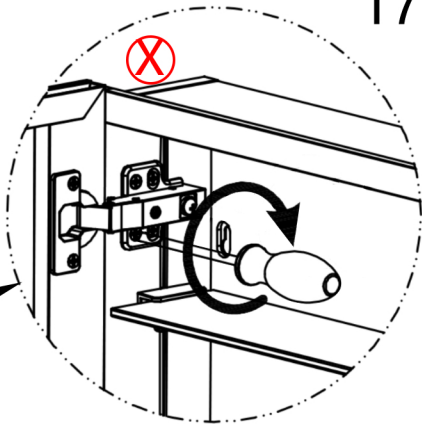
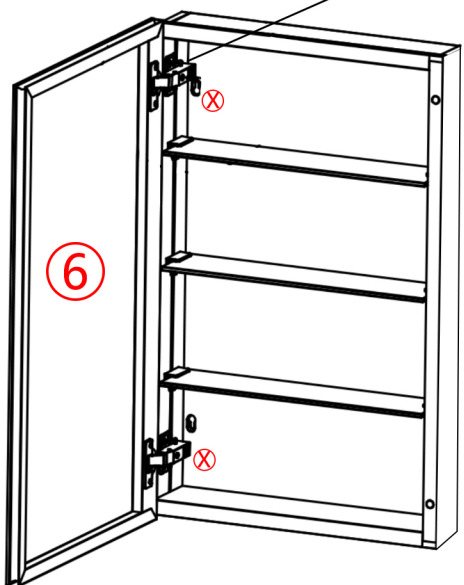
16 Insert the hook at the bottom of accessory X into the slot of accessory z and press down at the front end to lock it



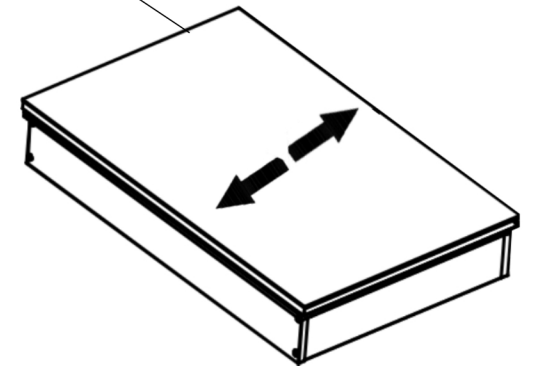
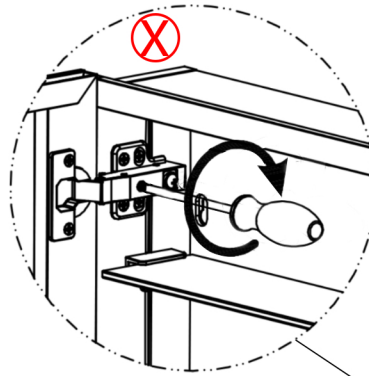
Use accessory X to join the two parts together to complete the assembly.

17 18

Assemble the link with part X for fitting #6.



Adjust fitting X to equalize the mirror.



19 20

Adjust fitting A to equalize the mirror.

