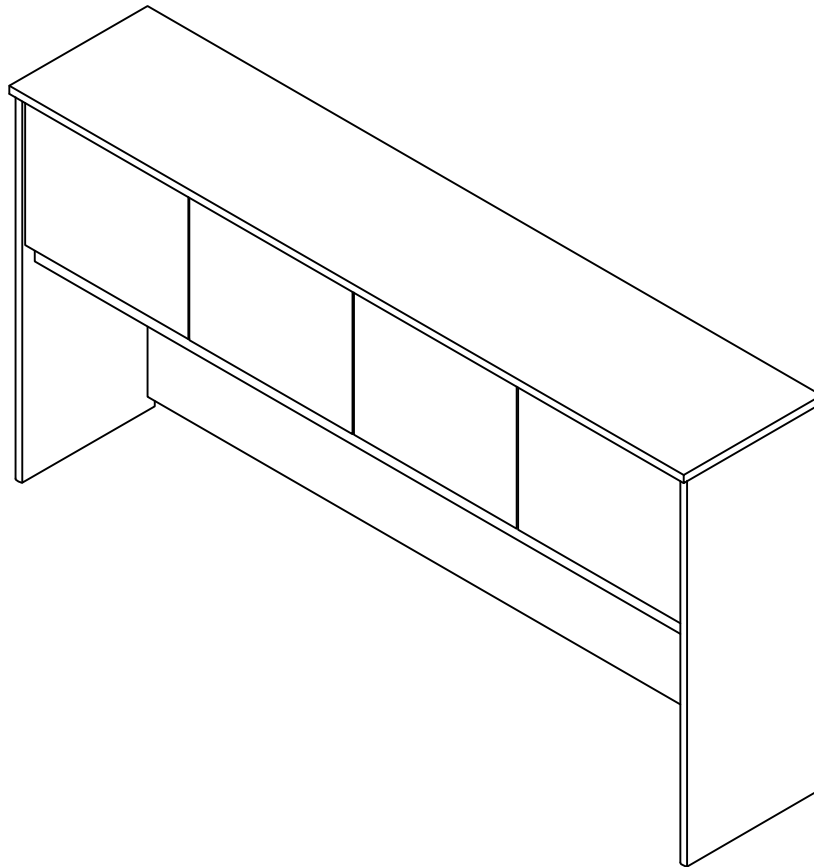


Assembly Guide



72" Hutch



Get Ready to Assemble

For best results, keep these tips in mind:

- ① We know you want to finish this assembly as quickly as possible, but trust us: you'll have a better experience if you take it one step at a time.
- ② Give yourself some room to work near where you want the fully assembled product.
- ③ If your floor isn't carpeted, assemble this product on the empty carton to avoid scratching.
- ④ Do you have a friend who owes you a favor? Some steps may go a little easier with a second set of hands.

DOs

- ✔ Use a #2 Phillips head screwdriver (or other handheld tools as indicated)
- ✔ Wear safety glasses at all times during assembly
- ✔ Carefully follow the instructions in this guide and complete all steps in order
- ✔ Give us a call if you're having trouble with a particularly tricky step

DON'Ts

- ✘ We know power tools are quick and easy, but you shouldn't use them when assembling this product (unless otherwise specified)
- ✘ Never move your furniture with items inside or resting on the surface
- ✘ Do not attempt to use this product before all steps have been completed

IMPORTANT SAFETY INFORMATION



PLEASE READ WARNINGS

Improper use can cause safety hazards, or damage to your furniture and household items.

Warning	Do	Don't	Why it's important
Serious injury may occur.	<ul style="list-style-type: none">Assemble following all instructions using all indicated parts and hardware provided.Attach hutch only as described in the instructions.Verify furniture is stable on it's own.Only place against a permanent wall structure at least as tall as the hutch or place back-to-back with hutch of same size.	<ul style="list-style-type: none">Do not move unit when loaded.Do not load with a television or other heavy equipment.Do not exceed the maximum load limits stated in the instructions.Do not allow children to climb, or hang on furniture.	Improper assembly, use or loading can lead to product instability, tip-over or collapse.

Advertencia	Hacer	No	Por qué es importante
Se pueden producir lesiones graves.	<ul style="list-style-type: none">Ensamble siguiendo todas las instrucciones utilizando todas las piezas y ferretería indicados provistos.Conecte la conejera solo como se describe en las instrucciones.Verifique que los muebles sean estables por sí mismos.Solo colóquelo contra una estructura de pared permanente al menos tan alta como la conejera o colóquelo espalda con espalda con una conejera del mismo tamaño.	<ul style="list-style-type: none">No mueva la unidad cuando esté cargada.No cargue con un televisor u otro equipo pesado.No exceda los límites máximos de carga establecidos en las instrucciones.No permita que los niños se paren, trepen o cuelguen de muebles.	El ensamblaje, uso o carga inadecuados pueden provocar inestabilidad del producto, vuelco o colapso.

IMPORTANT SAFETY INFORMATION

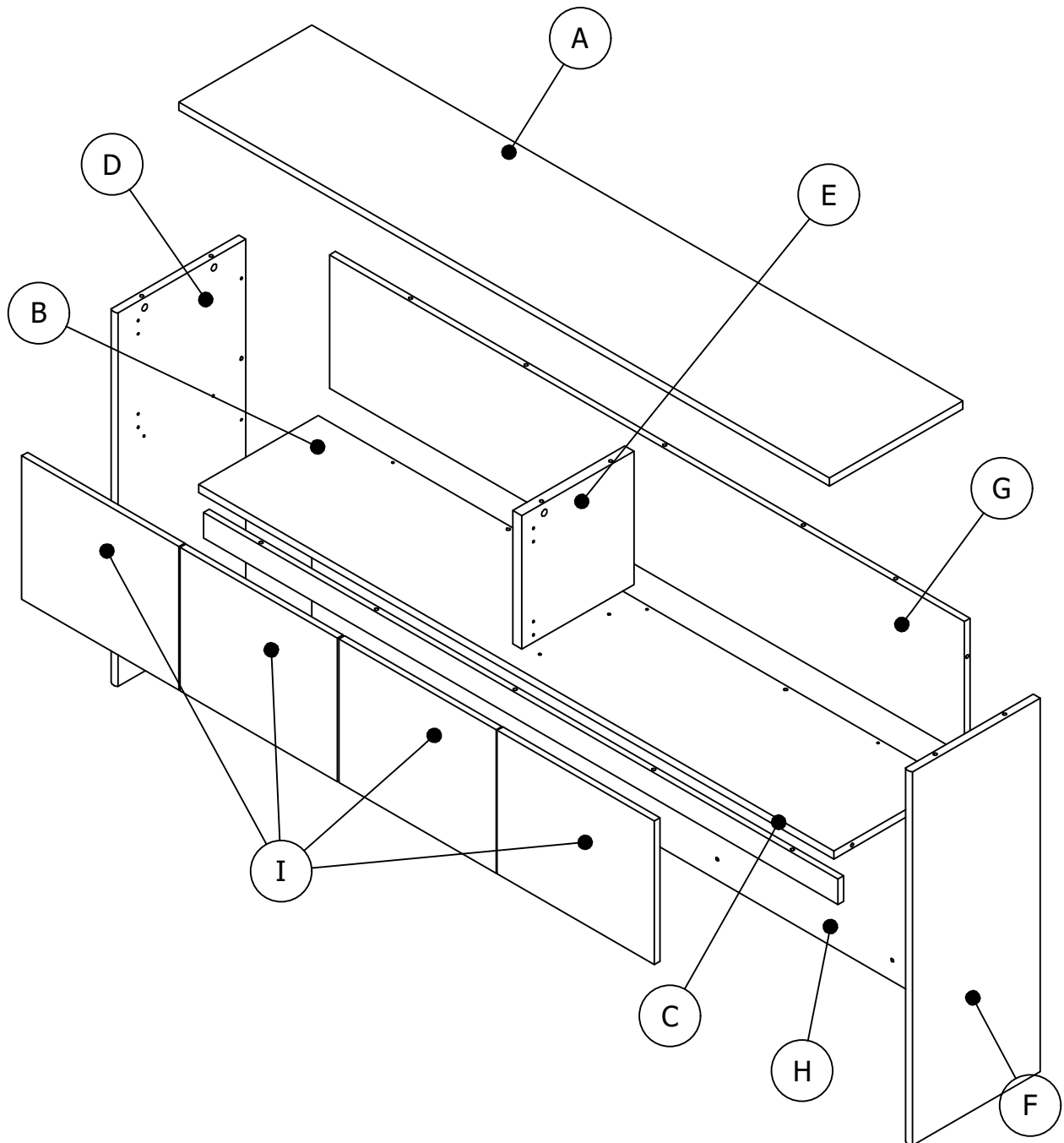
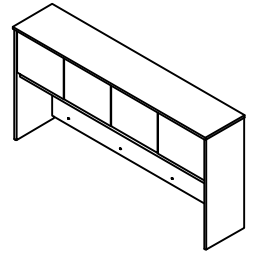


PLEASE READ WARNINGS

Improper use can cause safety hazards, or damage to your furniture and household items.

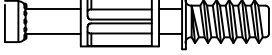
Avertissement	Faire	Ne le fais pas	Pourquoi c'est important
Des blessures graves peuvent survenir.	<ul style="list-style-type: none">• Assemblez en suivant toutes les instructions en utilisant toutes les pièces et le matériel indiqués fournis.• Fixez la huche uniquement comme décrit dans les instructions.• Vérifiez que les meubles sont stables par eux-mêmes.• Placer uniquement contre une structure murale permanente au moins aussi haute que la huche ou placer dos à dos avec une huche de même taille.	<ul style="list-style-type: none">• Ne déplacez pas l'unité lorsqu'elle est chargée.• Ne chargez pas avec un téléviseur ou un autre équipement lourd.• Ne dépassez pas les limites de charge maximale indiquées dans les instructions.• Ne laissez pas les enfants grimper ou s'accrocher aux meubles.	Un assemblage, une utilisation ou un chargement incorrects peuvent entraîner une instabilité du produit, un renversement ou un effondrement.

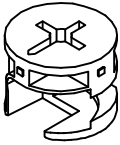
Get to know your Boards

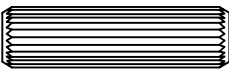


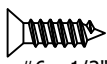
Get to know your Fasteners

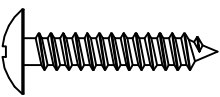
Fasteners are shown actual size.


H72988  [27]
KD Bolt

H71659  [27]
KD Cam

H38169  [11]
Wood Dowel

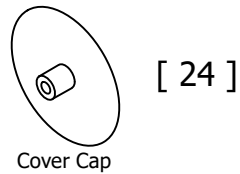
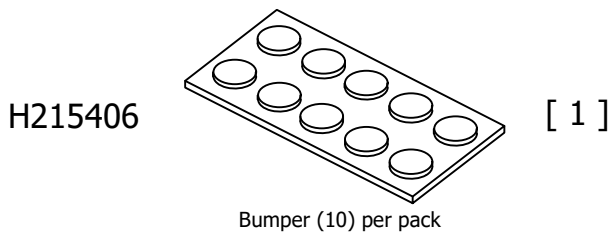
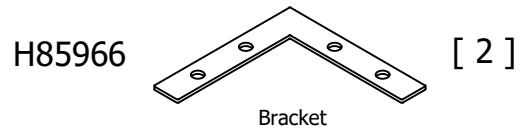
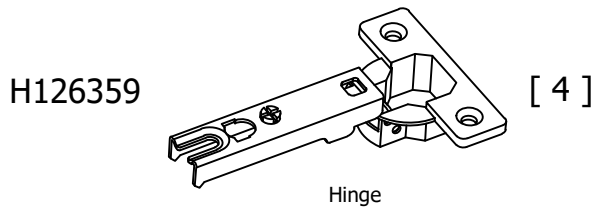
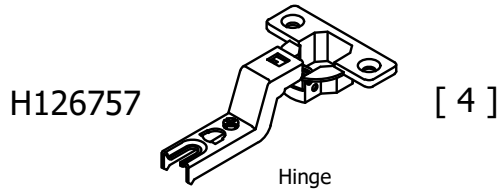
H28917  [16]
#6 x 1/2"

H23682  [8]
#10 x 1"

H23491  [2]
#10 x 2"

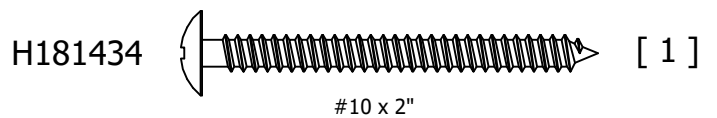
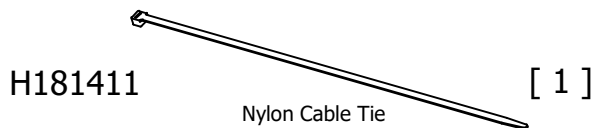
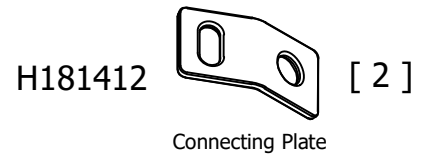
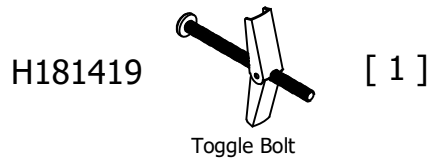
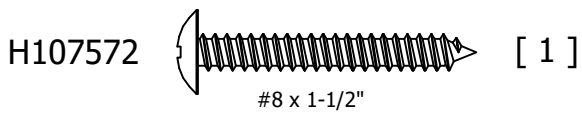
Get to know your Hardware

Hardware not to scale.



TIPOVER RESTRAINT HARDWARE

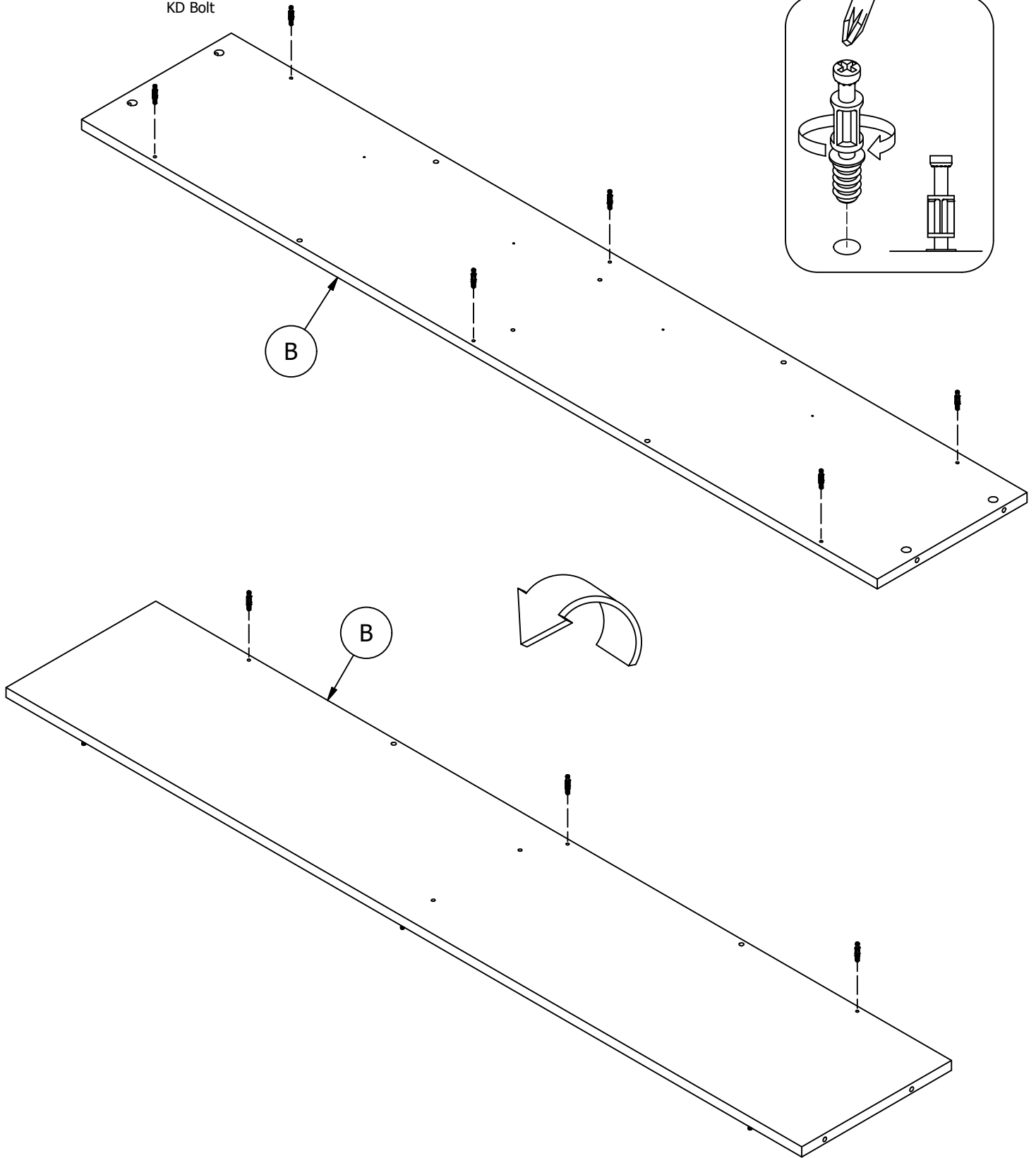
SUGERENCIA SOBRE HARDWARE DE RETENCIÓN
MATÉRIEL DE RETENUE SUR LE SUPPORT



STEP 1

Prepare Panels

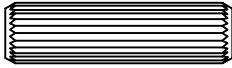
H72988 [9]
KD Bolt



STEP 2

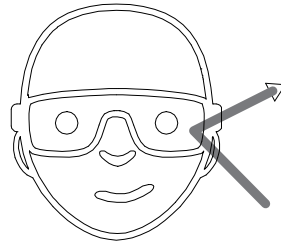
Prepare Panel

H38169

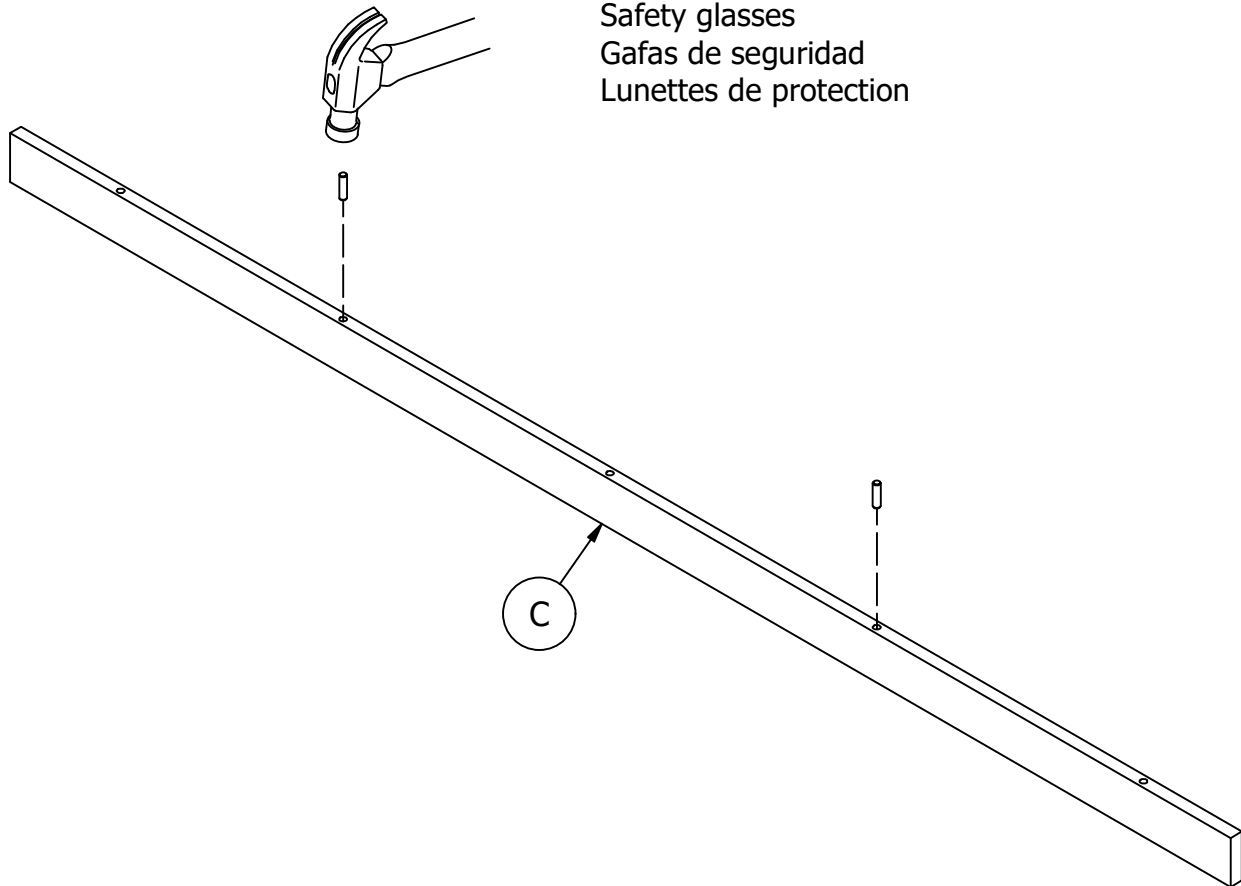


Wood Dowel

[2]



Safety glasses
Gafas de seguridad
Lunettes de protection



STEP 3

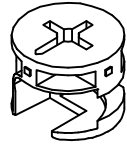
Assemble Panels

Scan QR Code to Watch Video on:



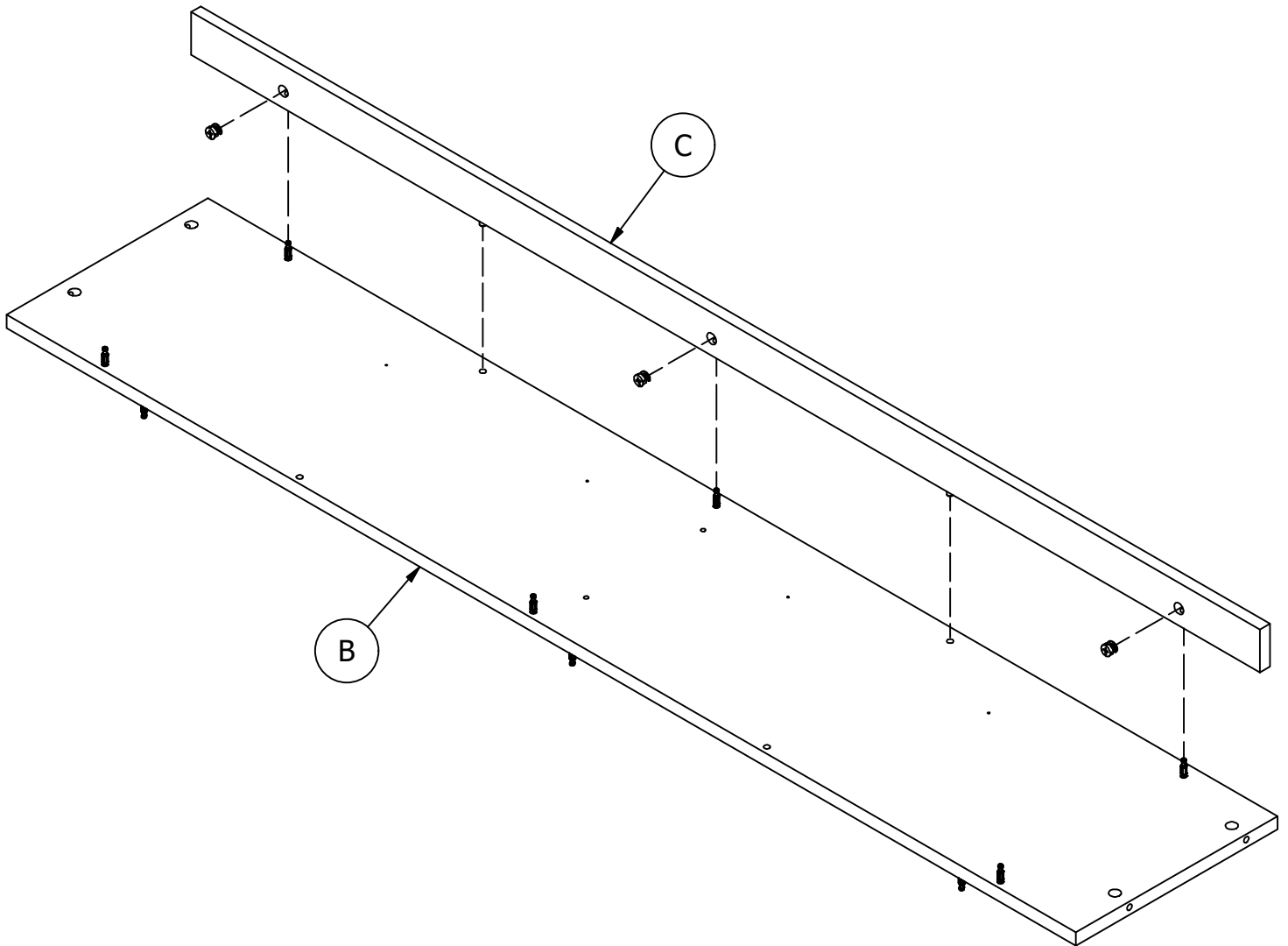
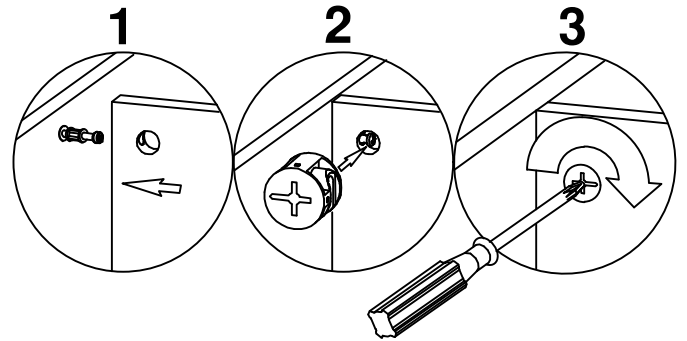
How to Tighten KD Cams

H71659



KD Cam

[3]



STEP 4

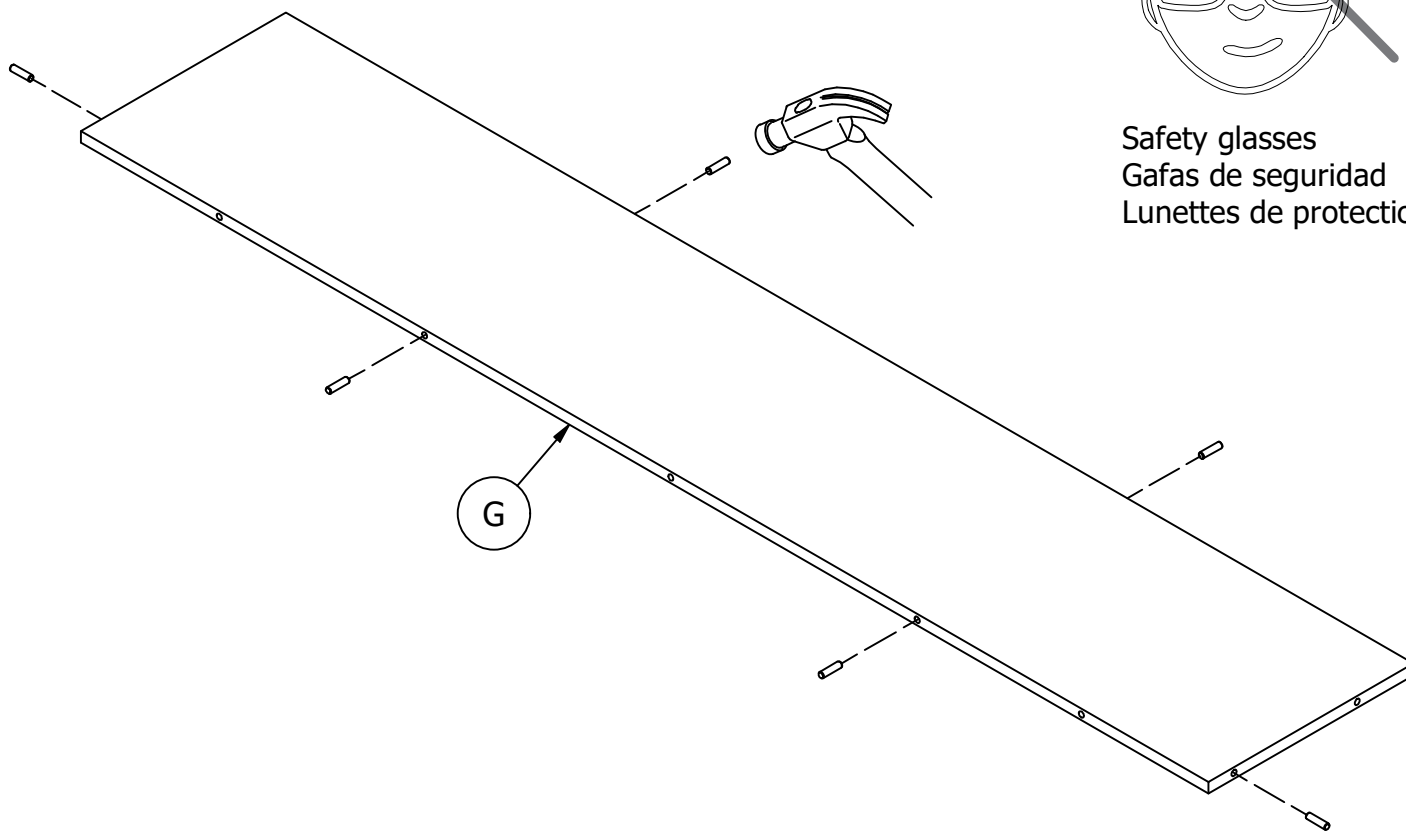
Prepare Panel

H38169



[6]

Wood Dowel



Safety glasses
Gafas de seguridad
Lunettes de protection

STEP 5

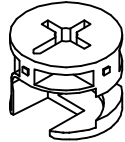
Assemble Panels

Scan QR Code to Watch Video on:



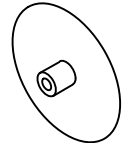
How to Tighten KD Cams

H71659



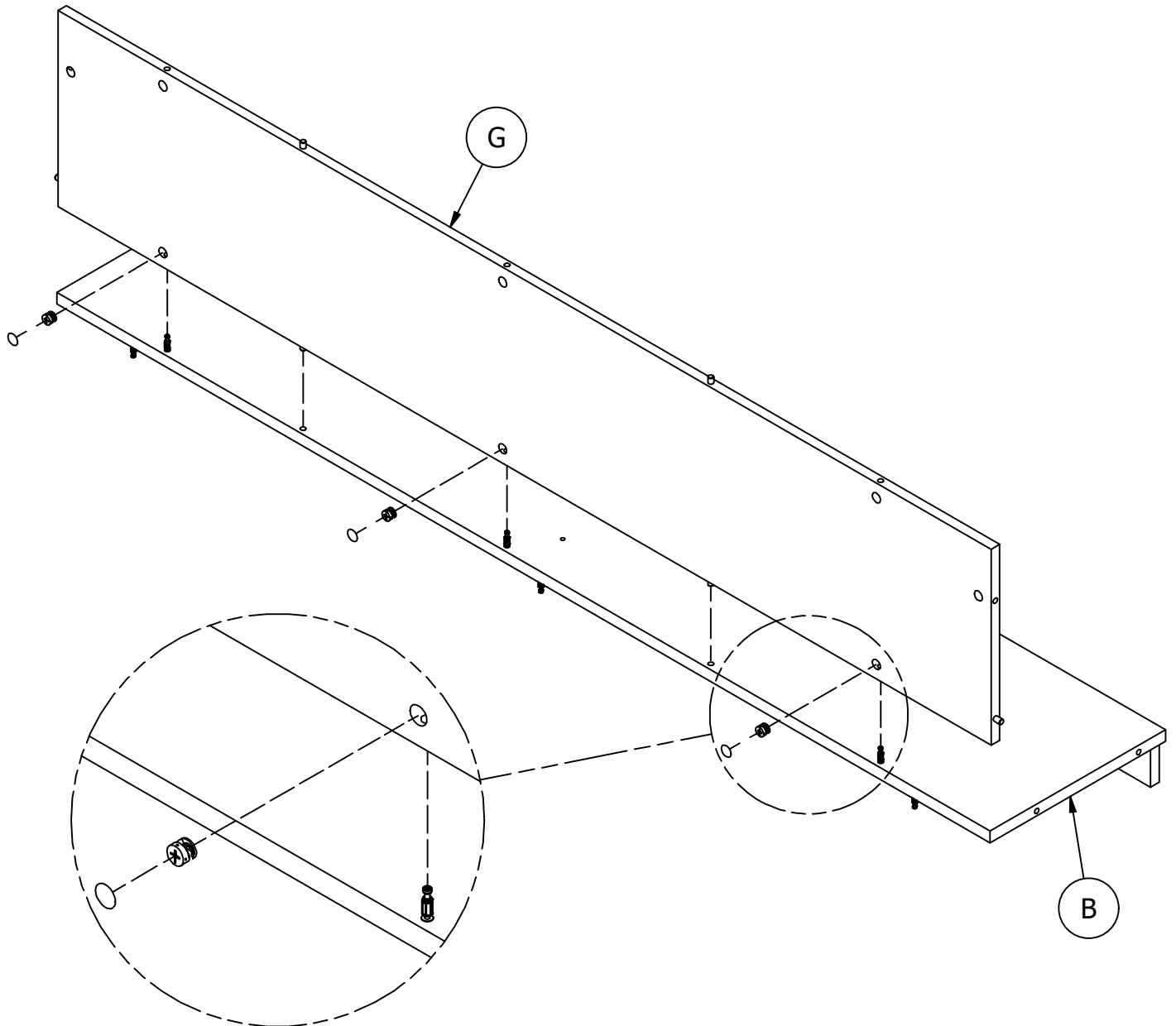
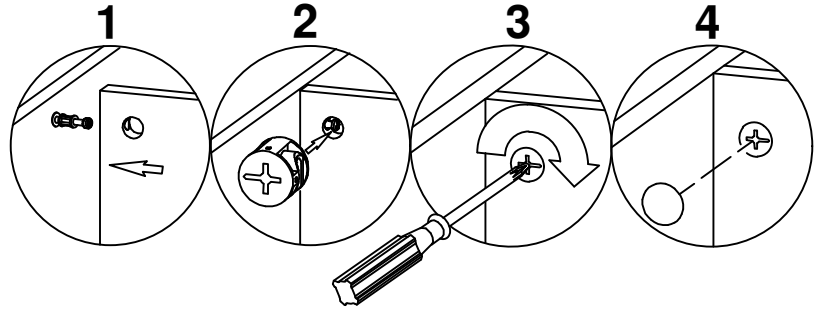
KD Cam

[3]



Cover Cap

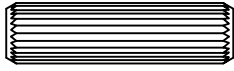
[3]



STEP 6

Prepare Panel

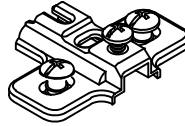
H38169



[1]

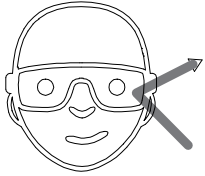
Wood Dowel

H126758

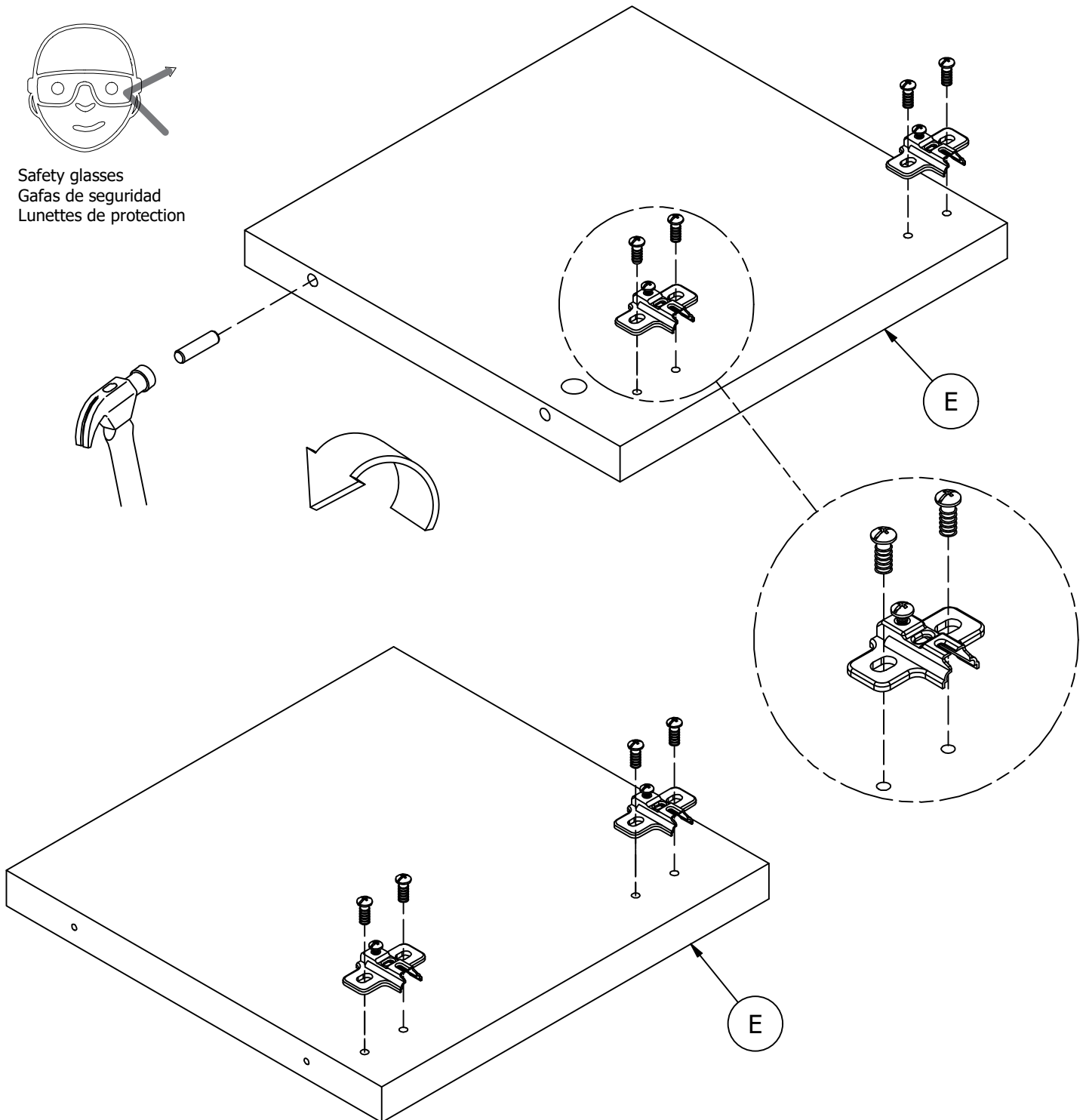


[4]

Mounting Plate



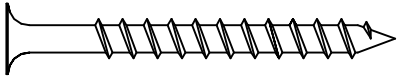
Safety glasses
Gafas de seguridad
Lunettes de protection



STEP 7

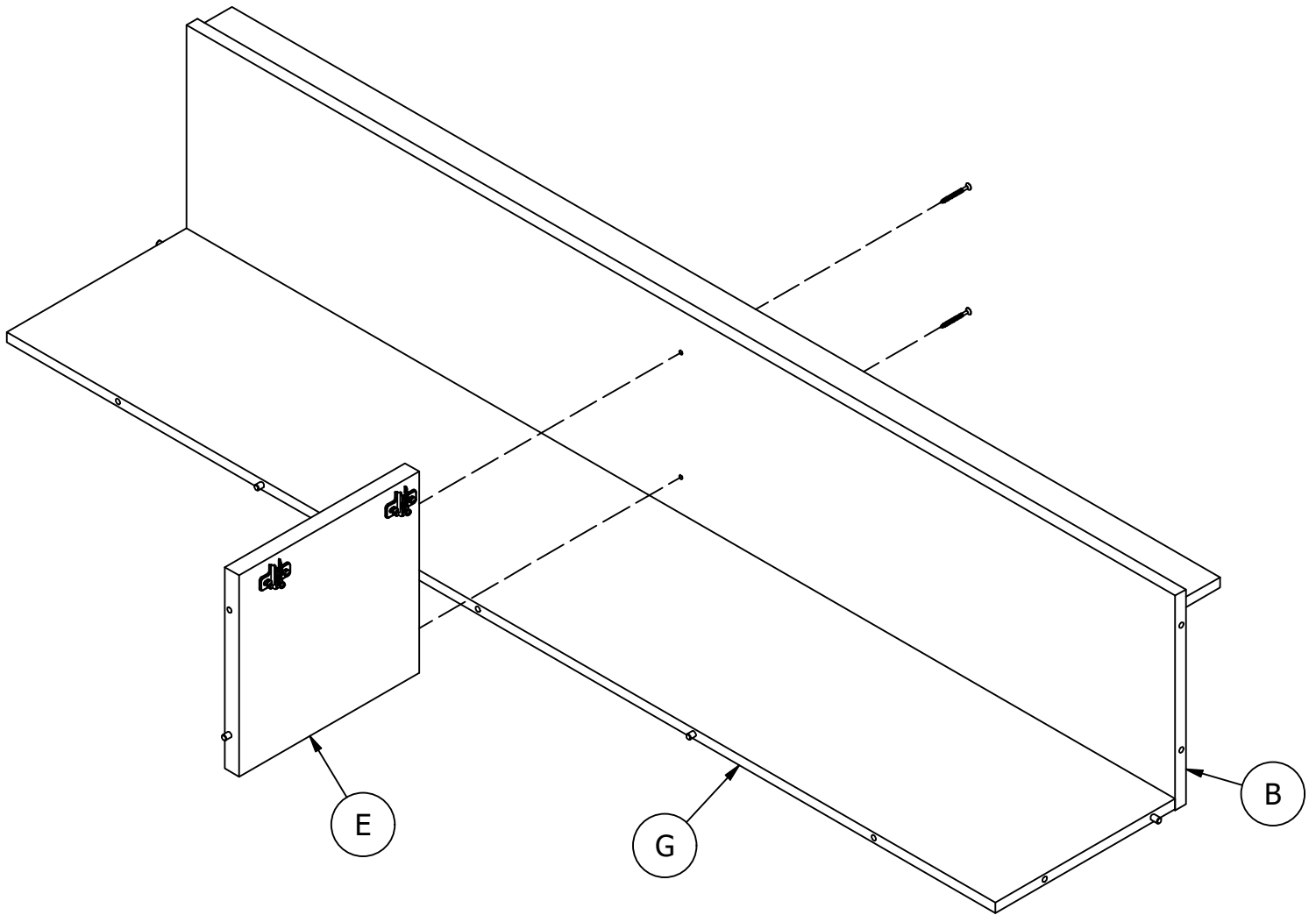
Assemble Panels

H23491



[2]

#10 x 2"



STEP 8

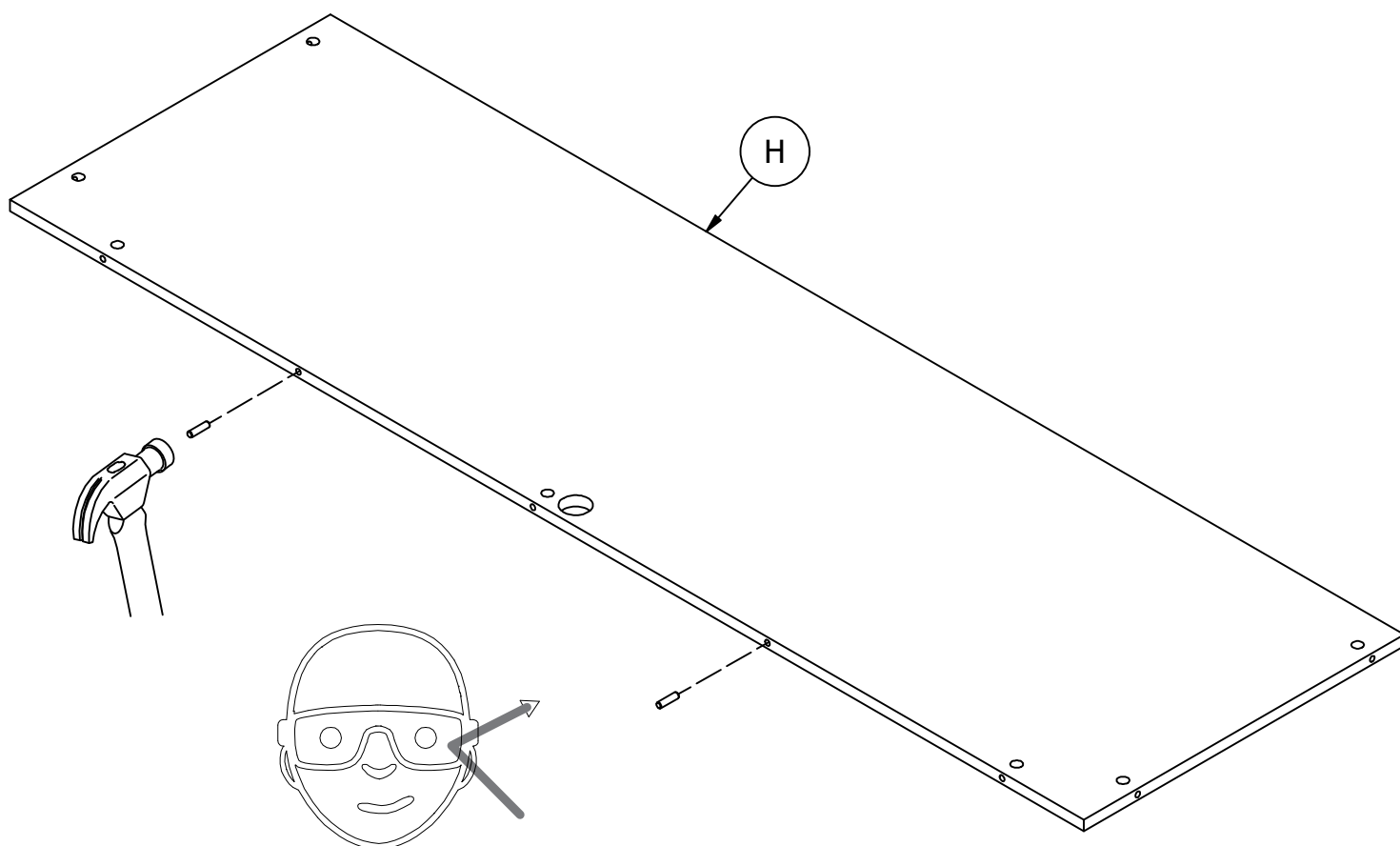
Prepare Panel

H38169



[2]

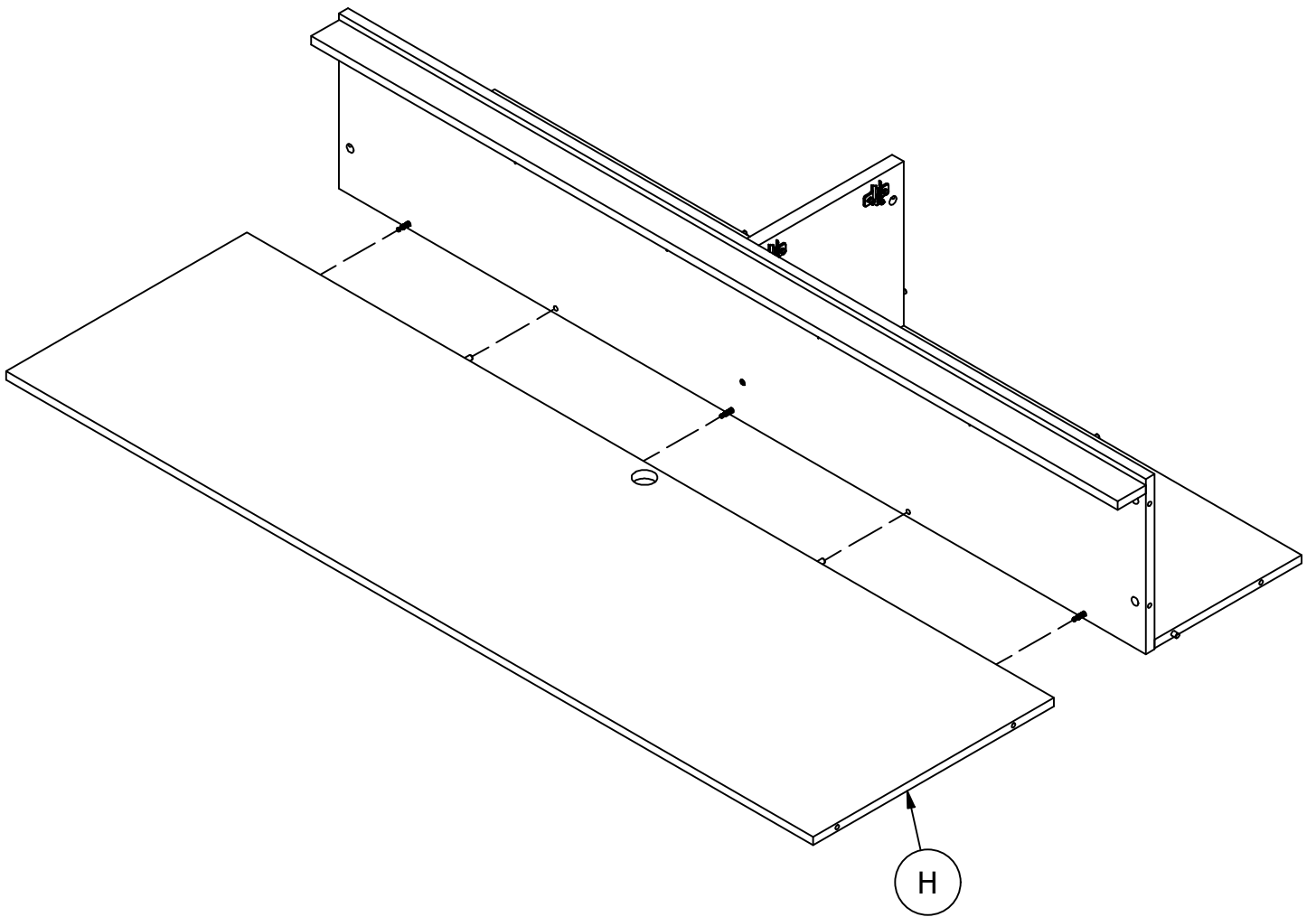
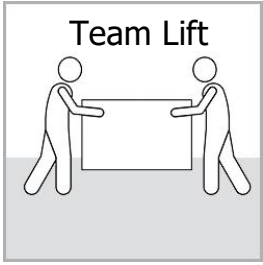
Wood Dowel



Safety glasses
Gafas de seguridad
Lunettes de protection

STEP 9

Assemble Panels

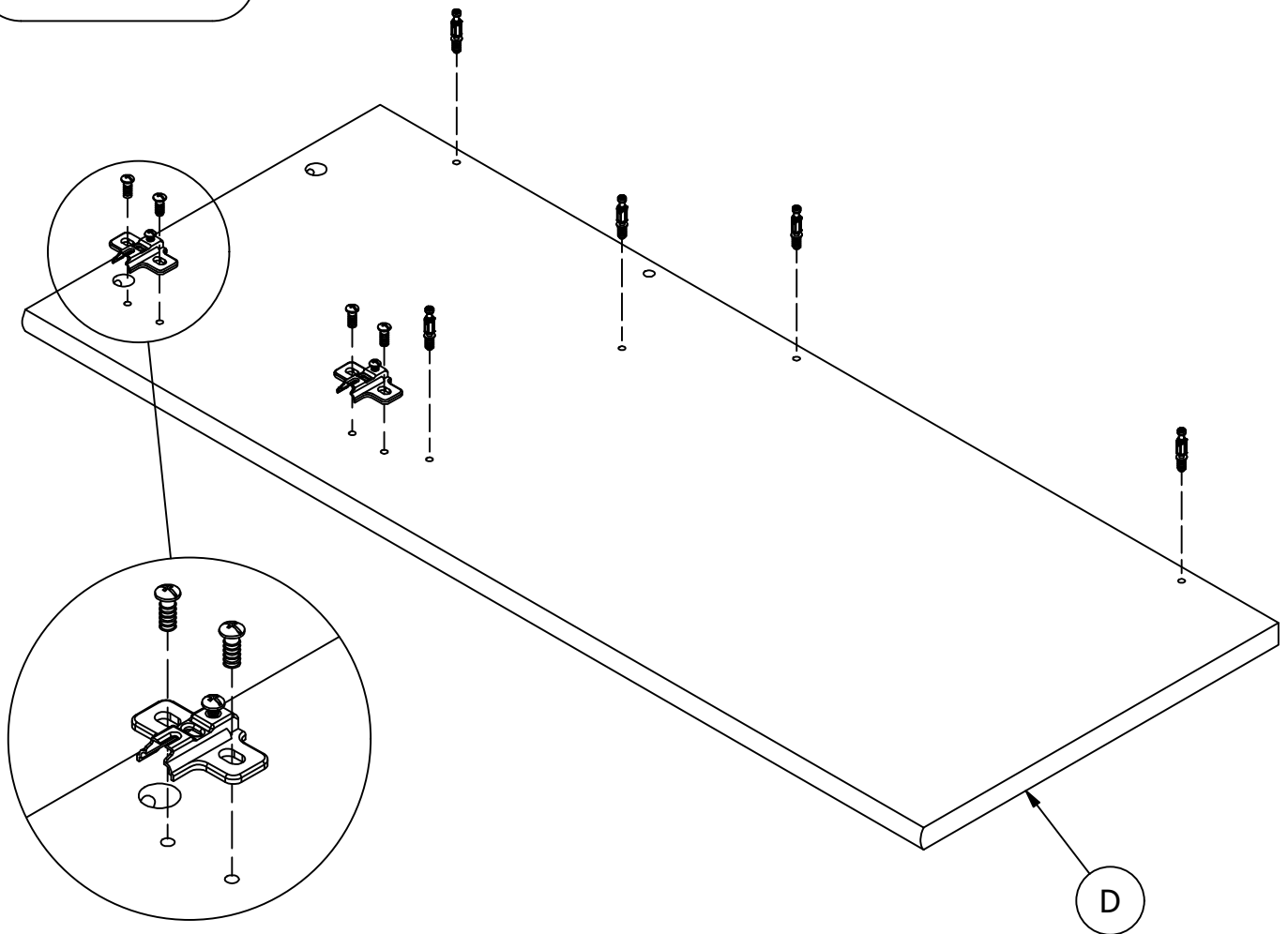
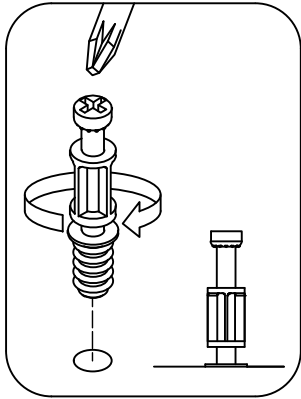


STEP 10

Prepare Panel

H72988 [5]
KD Bolt

H126758 [2]
Mounting Plate



STEP 11

Assemble Panels

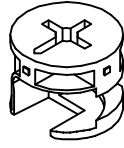


Scan QR Code to Watch Video on:



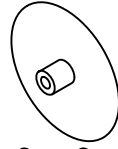
How to Tighten KD Cams

H71659



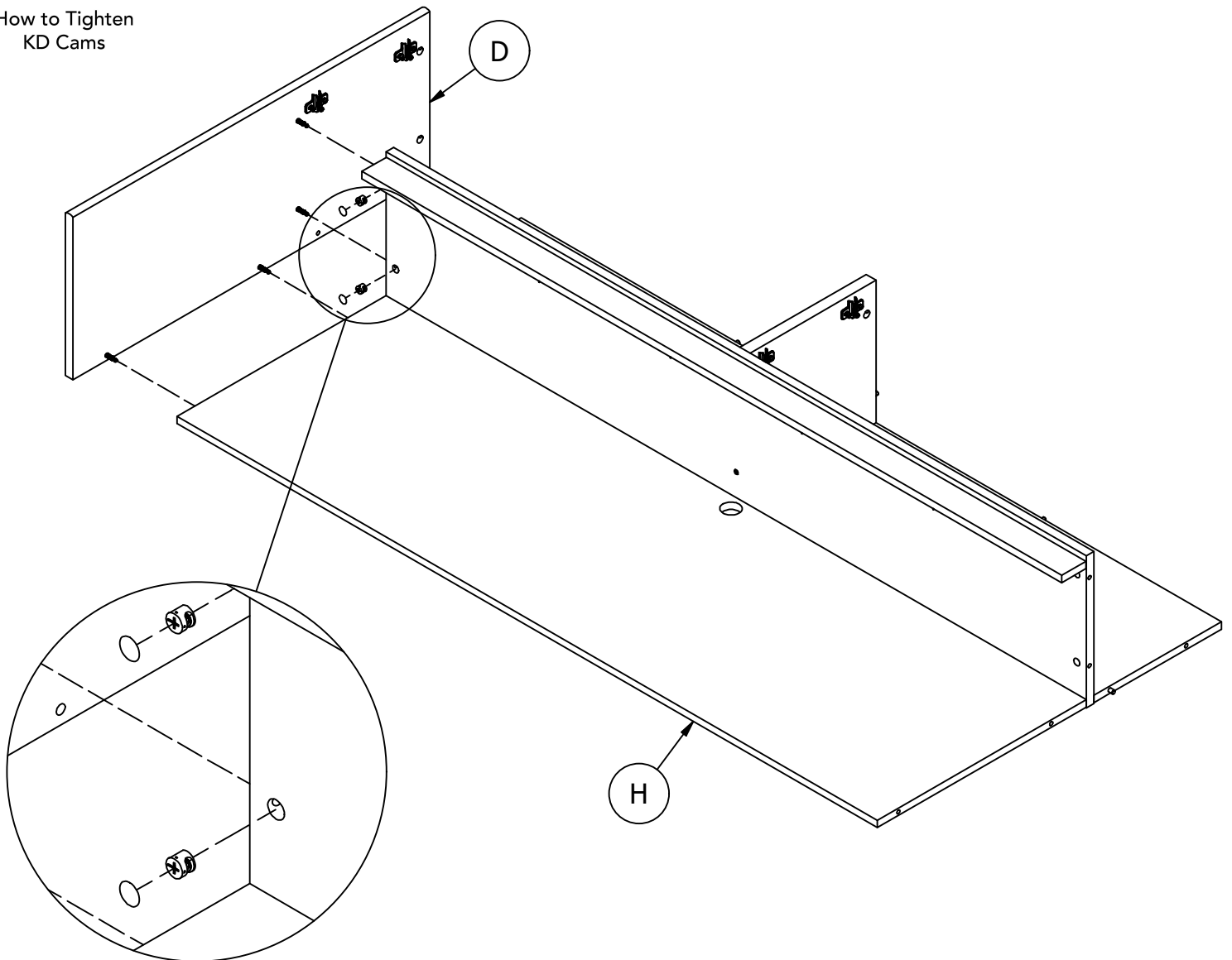
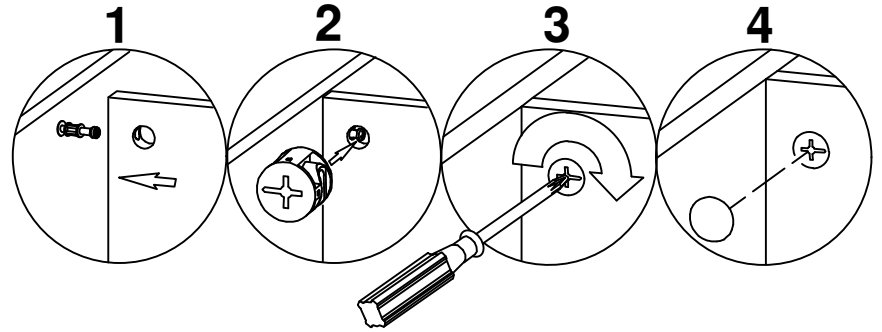
KD Cam

[2]



Cover Cap

[2]

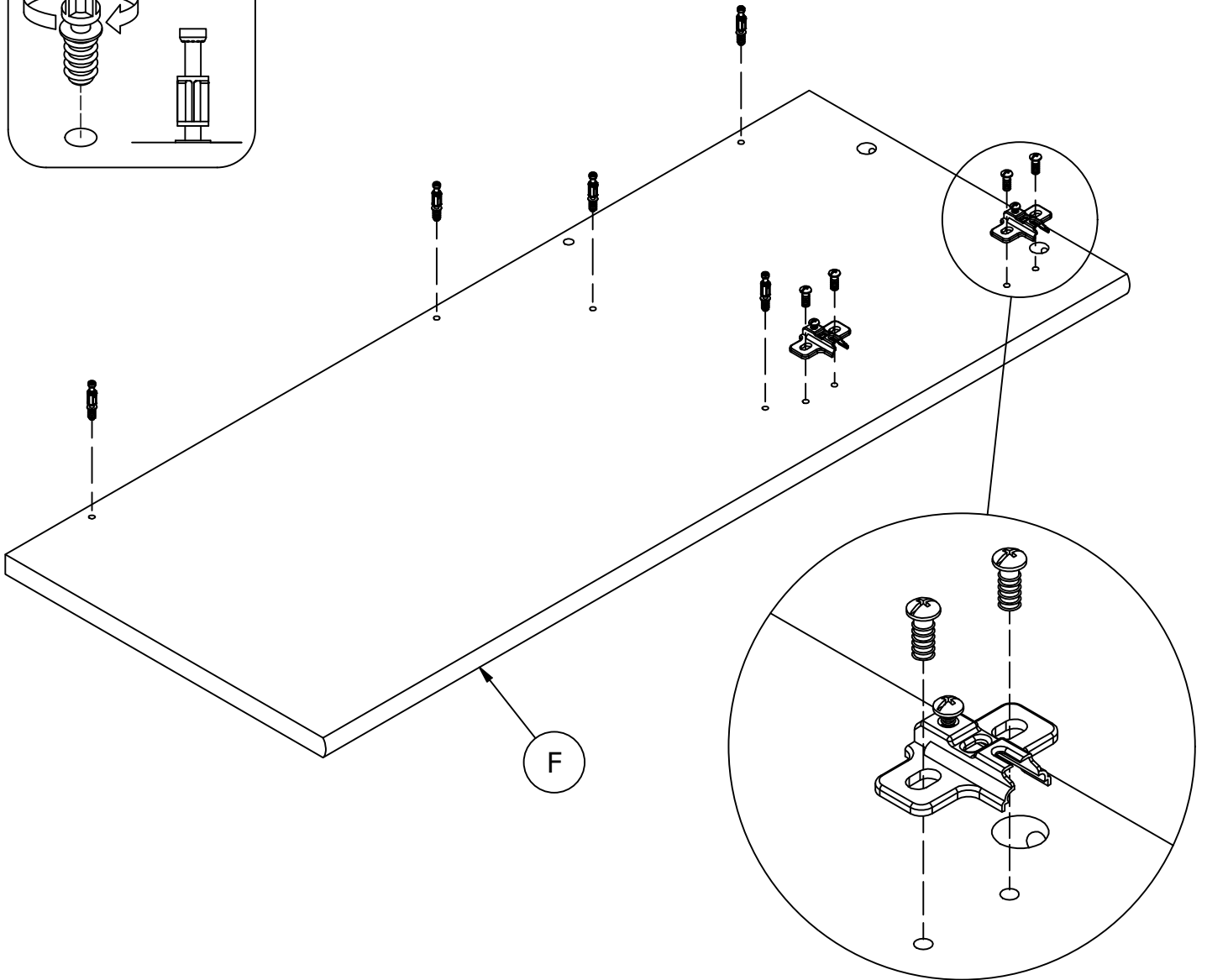
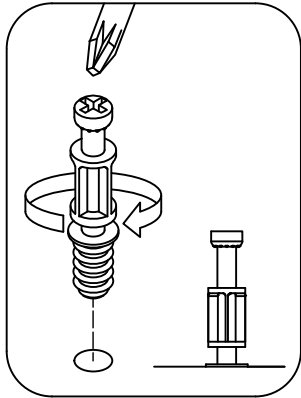


STEP 12

Prepare Panel

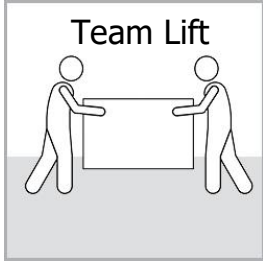
H72988 [5]
KD Bolt

H126758 [2]
Mounting Plate

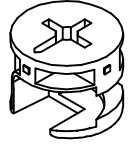


STEP 13

Assemble Panels

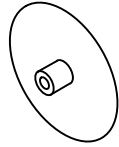


H71659



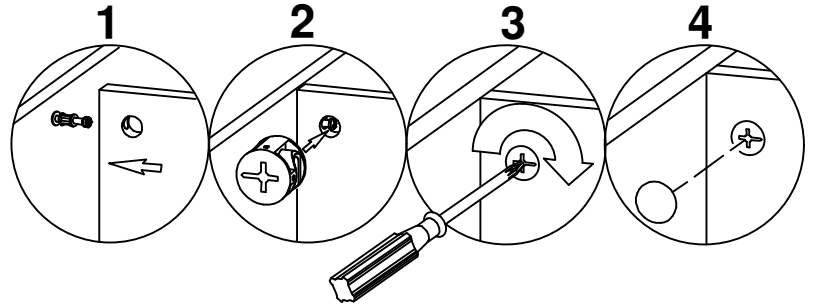
KD Cam

[2]



Cover Cap

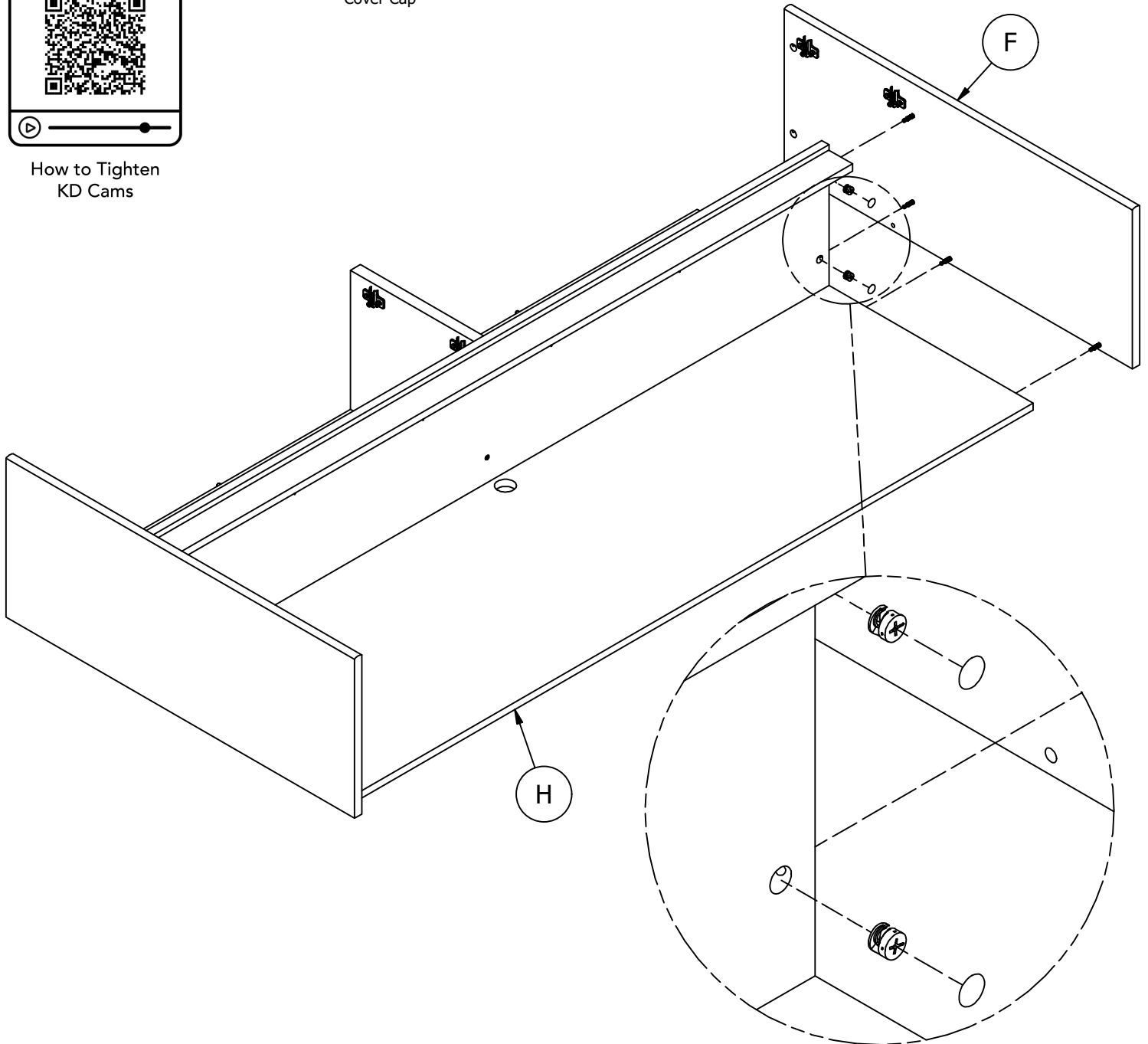
[2]



Scan QR Code to Watch Video on:



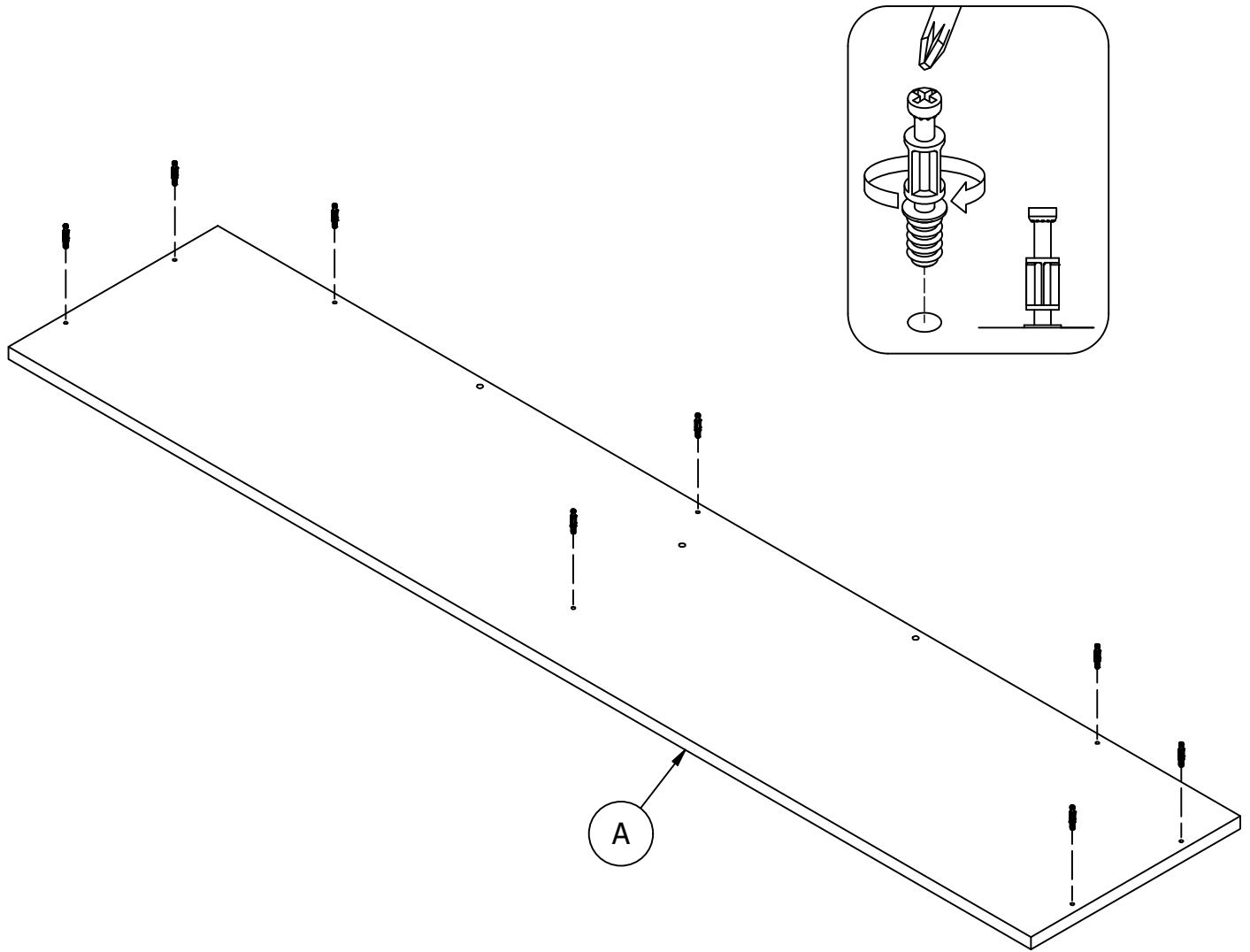
How to Tighten KD Cams



STEP 14

Prepare Panel

H72988 [8]
KD Bolt



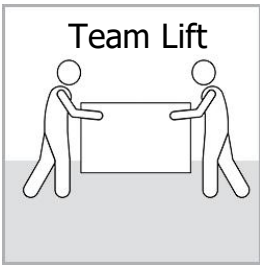
STEP 15

Assemble Panels

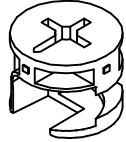
Scan QR Code to Watch Video on:



How to Tighten KD Cams

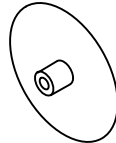


H71659



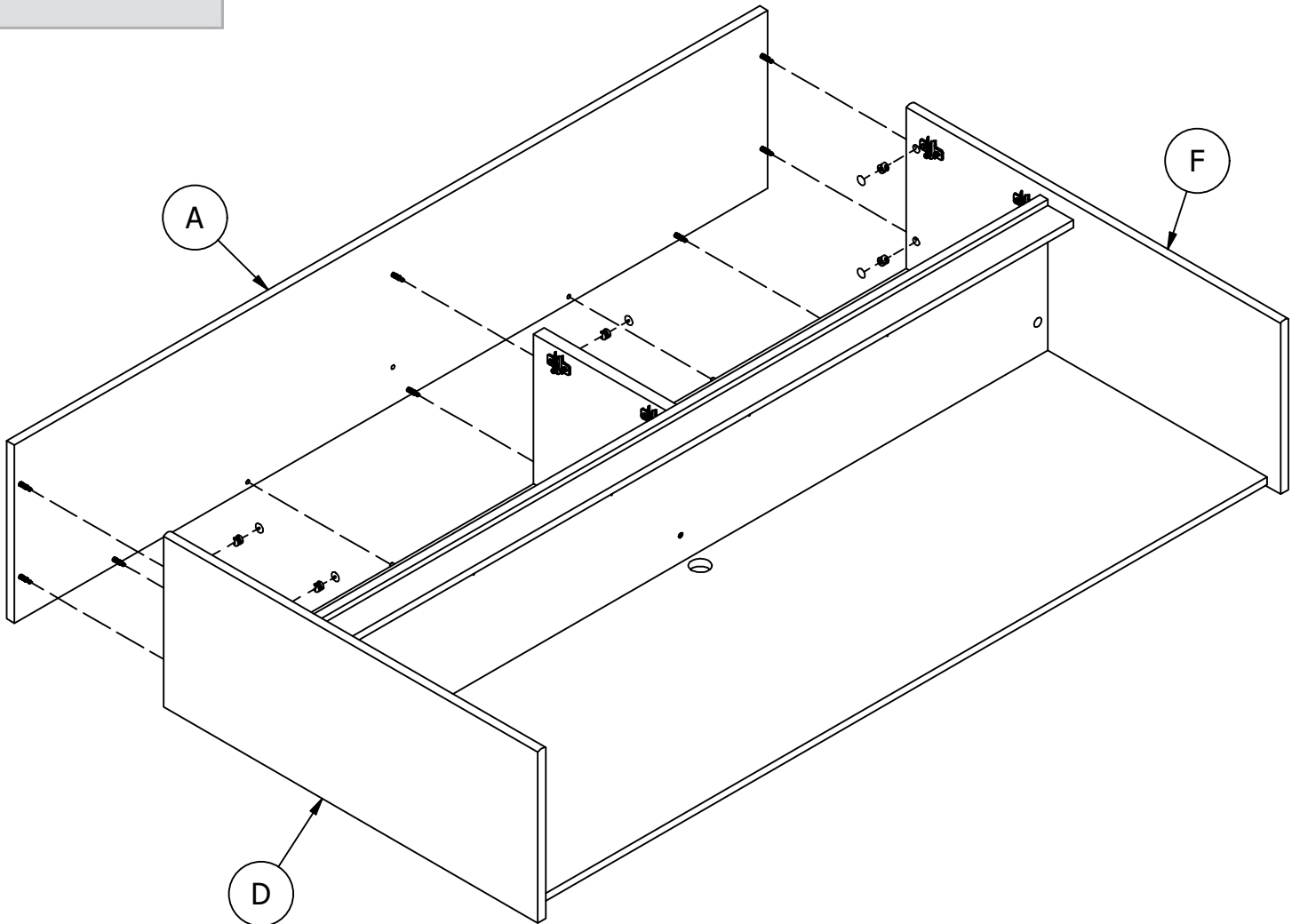
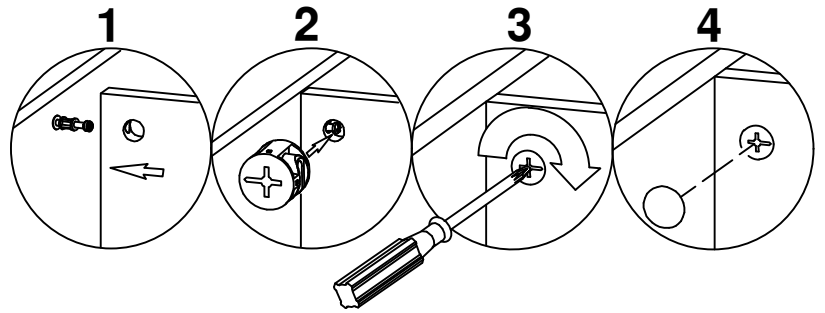
KD Cam

[5]



Cover Cap

[5]



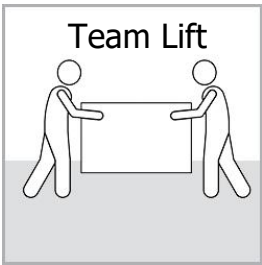
STEP 16

Install Hardware

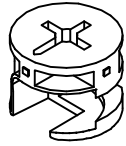
Scan QR Code to Watch Video on:



How to Tighten KD Cams

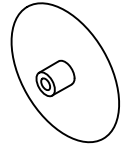


H71659



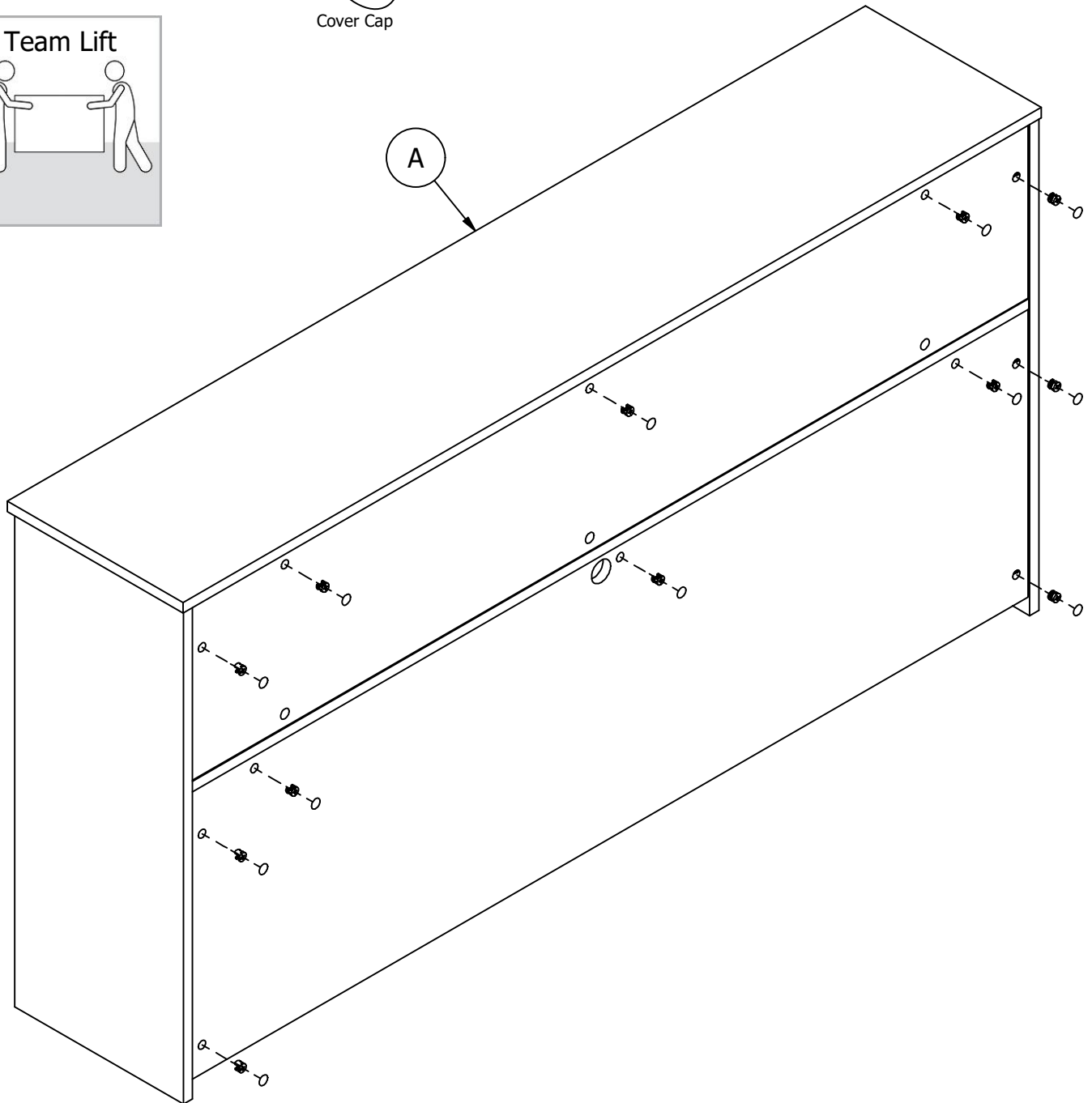
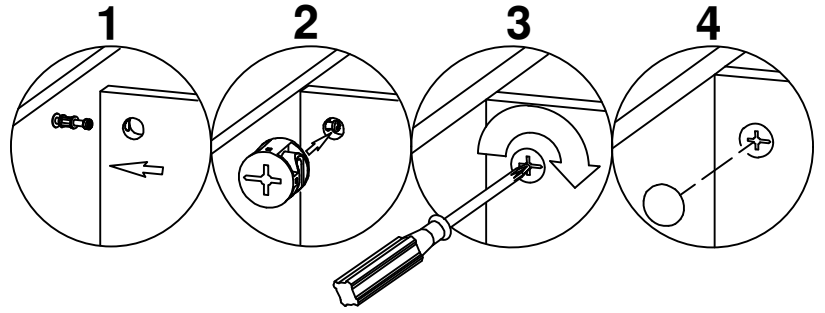
KD Cam

[12]



Cover Cap

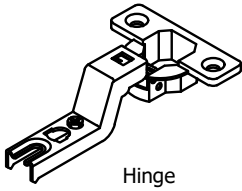
[12]



STEP 17

Prepare Doors

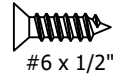
H126757



Hinge

[4]

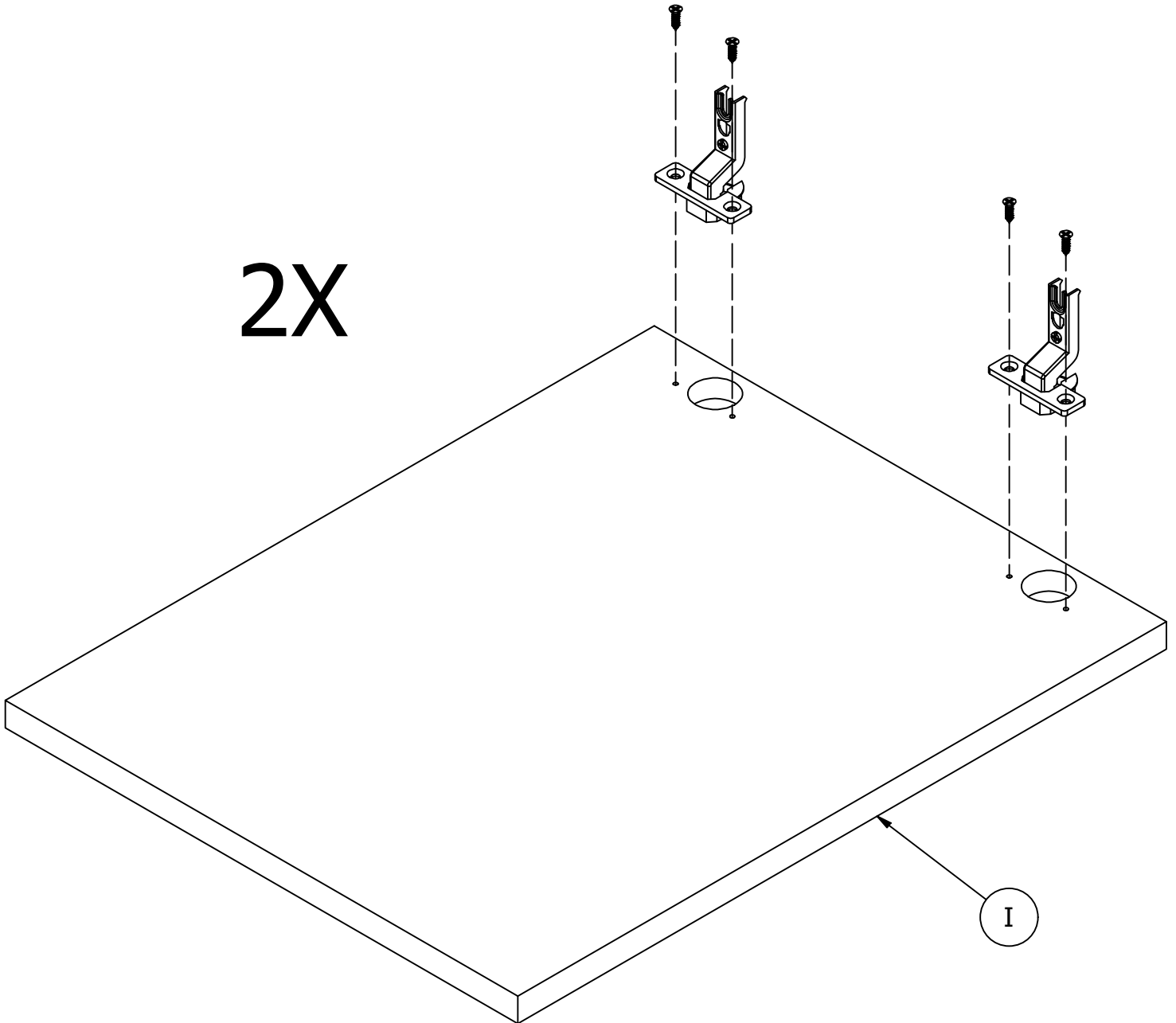
H28917



#6 x 1/2"

[8]

2X



STEP 18

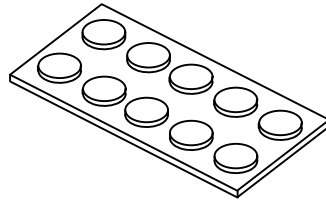
Install Doors

Scan QR Code to Watch Video on:

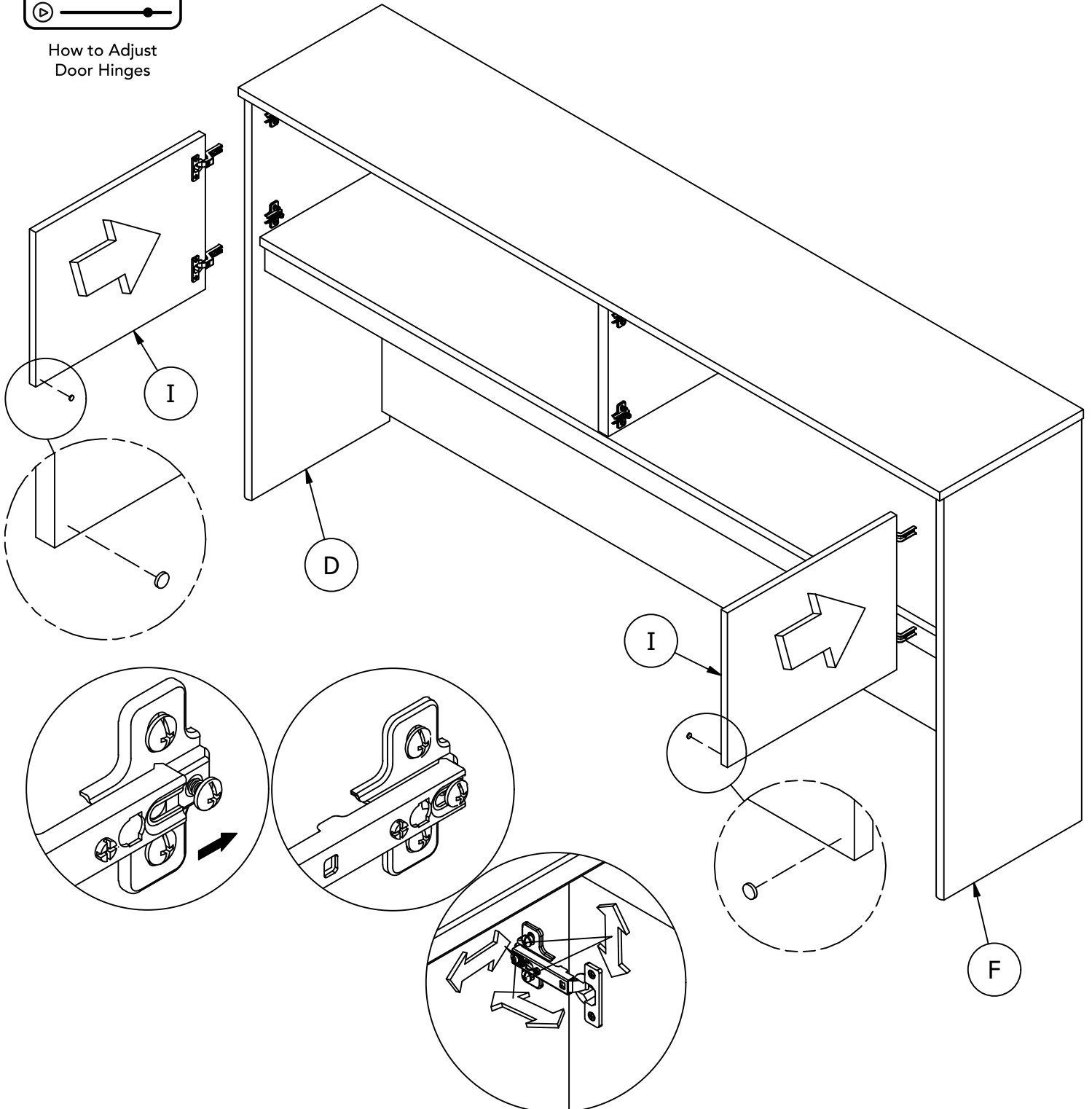


How to Adjust Door Hinges

H215406



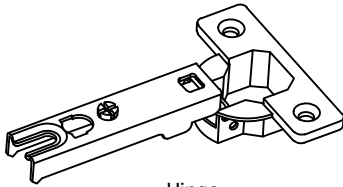
Bumper (10) per pack



STEP 19

Prepare Doors

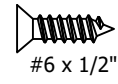
H126359



[4]

Hinge

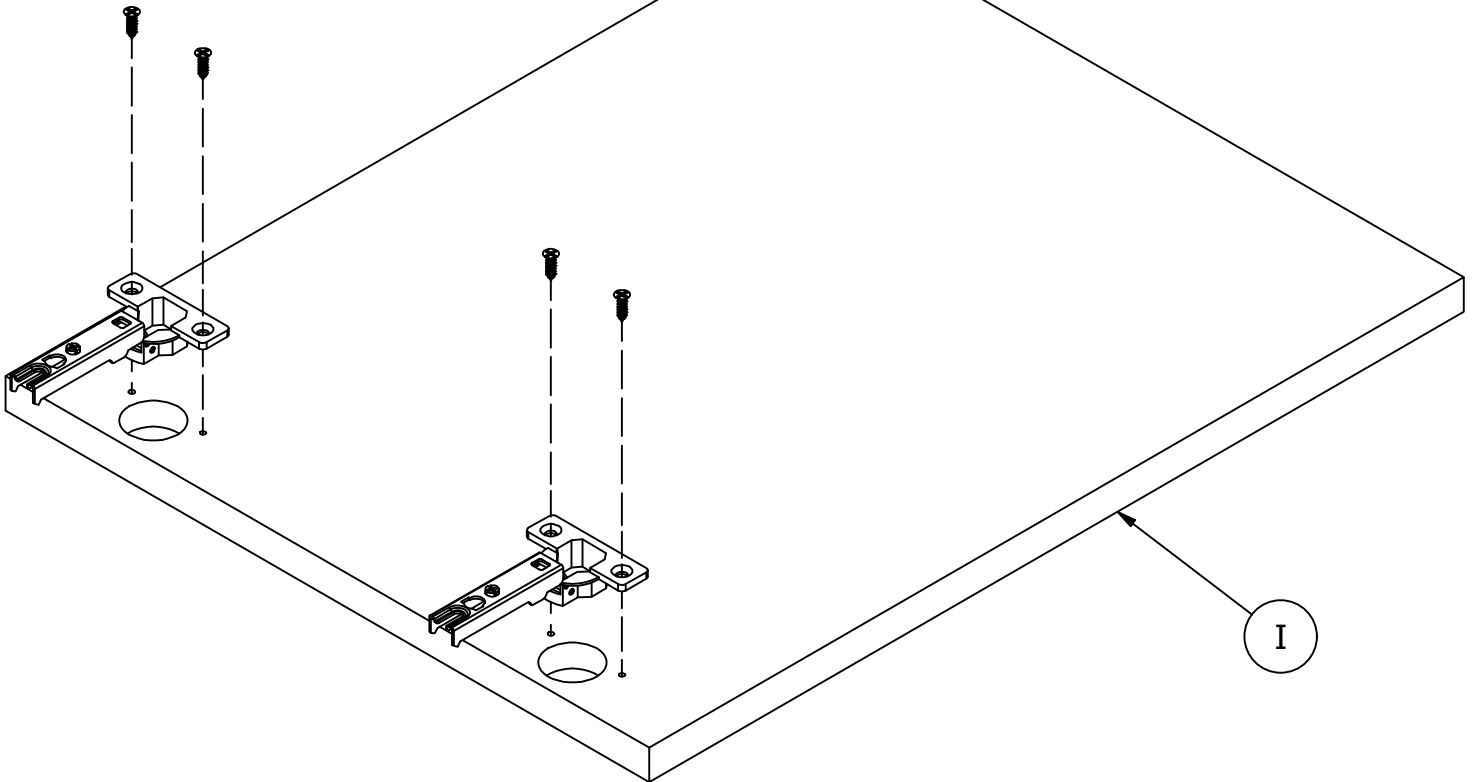
H28917



[8]

#6 x 1/2"

2X



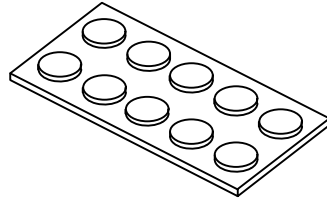
STEP 20

Install Doors

Scan QR Code to Watch Video on:

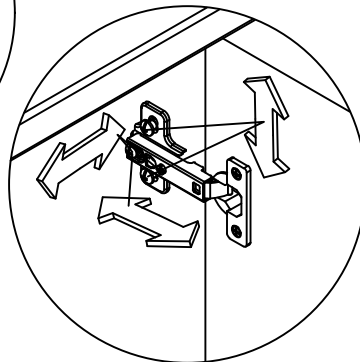
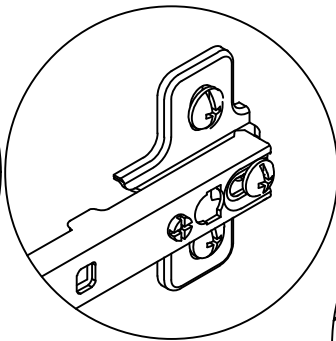
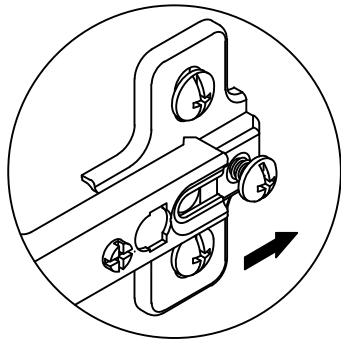
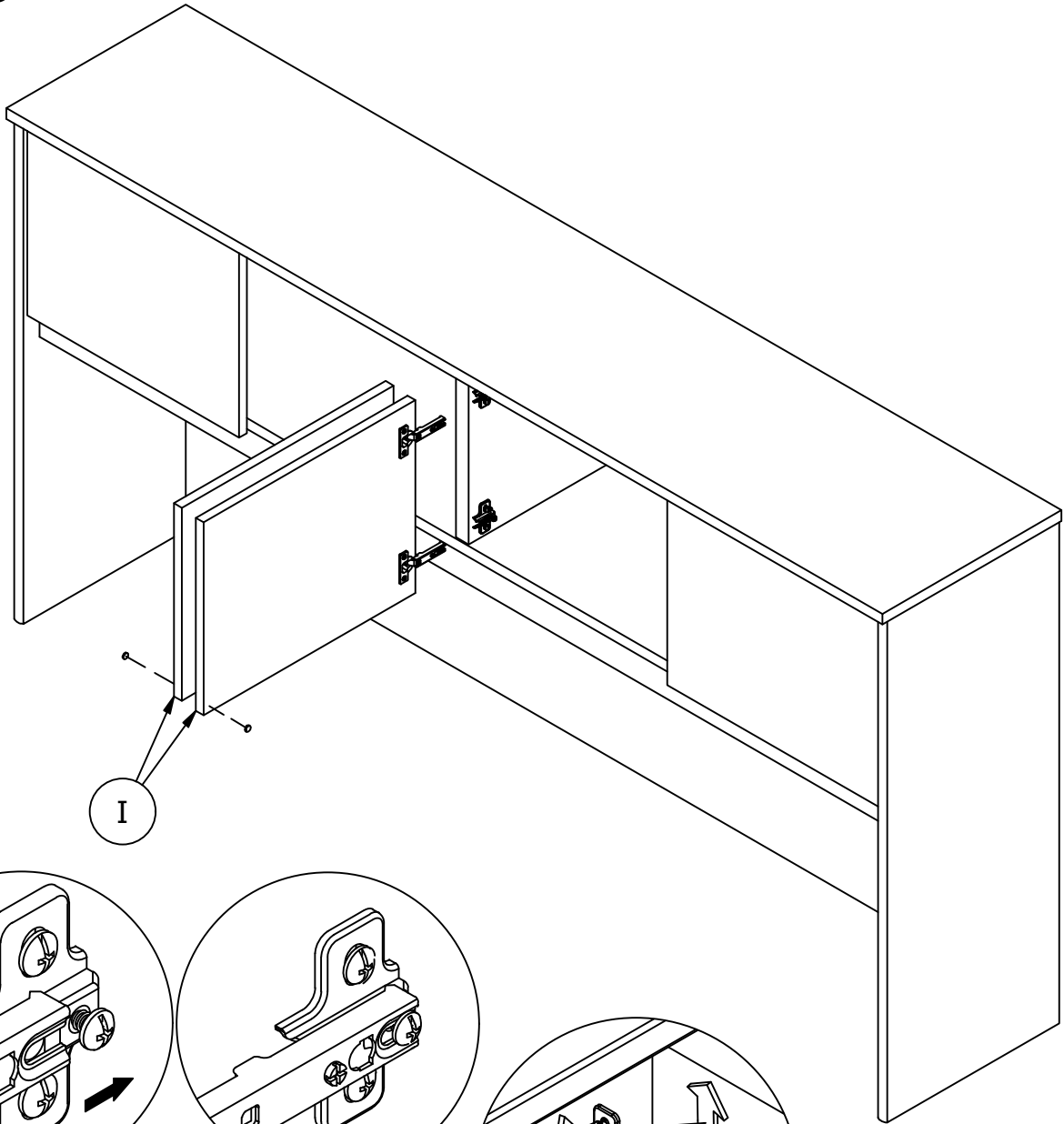


H215406



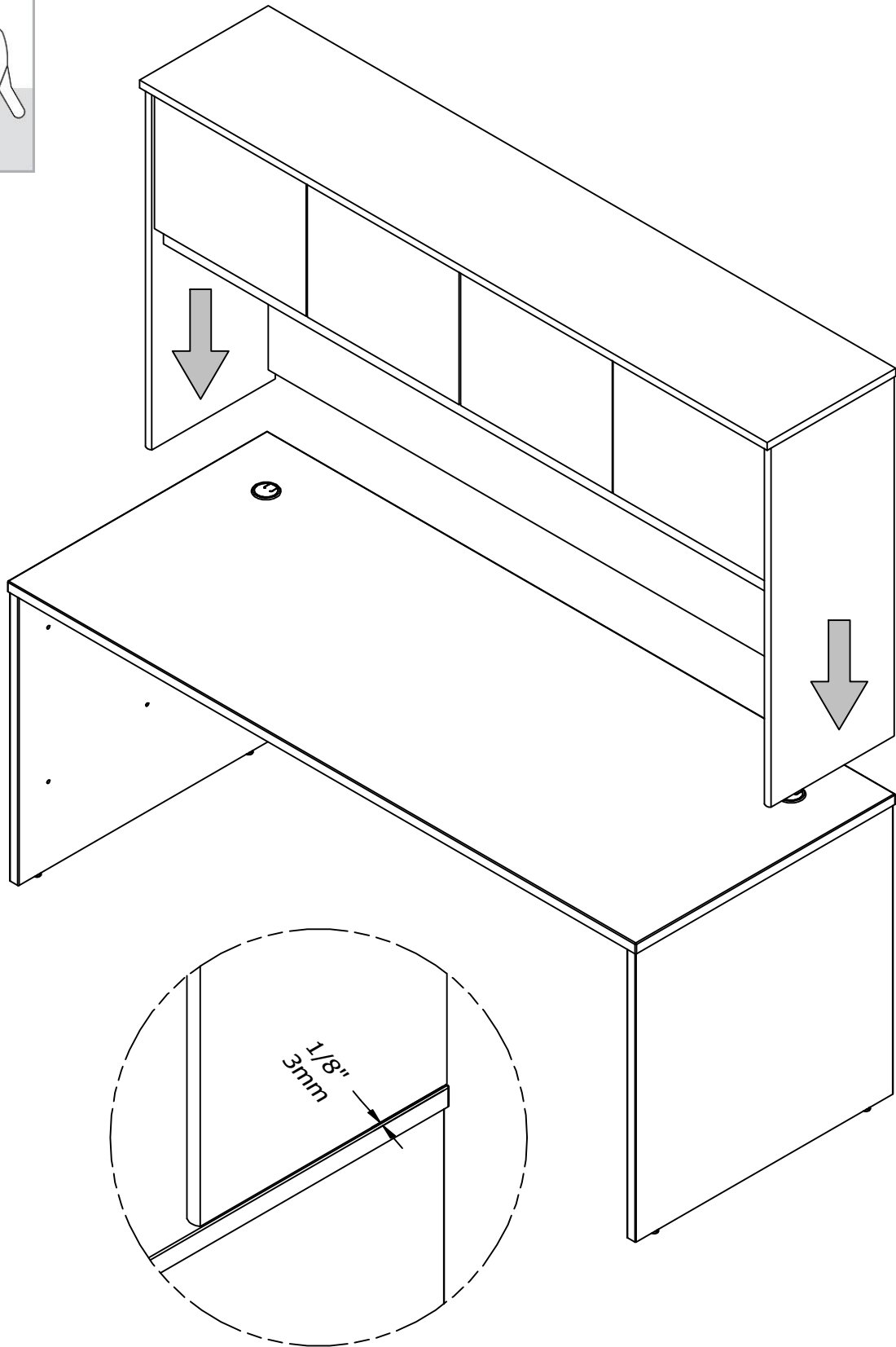
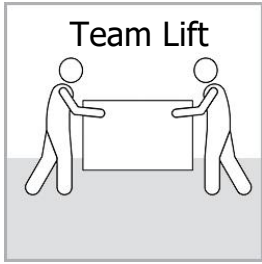
Bumper (10) per pack

How to Adjust Door Hinges



STEP 21

Attach Hutch

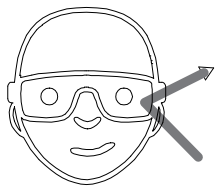
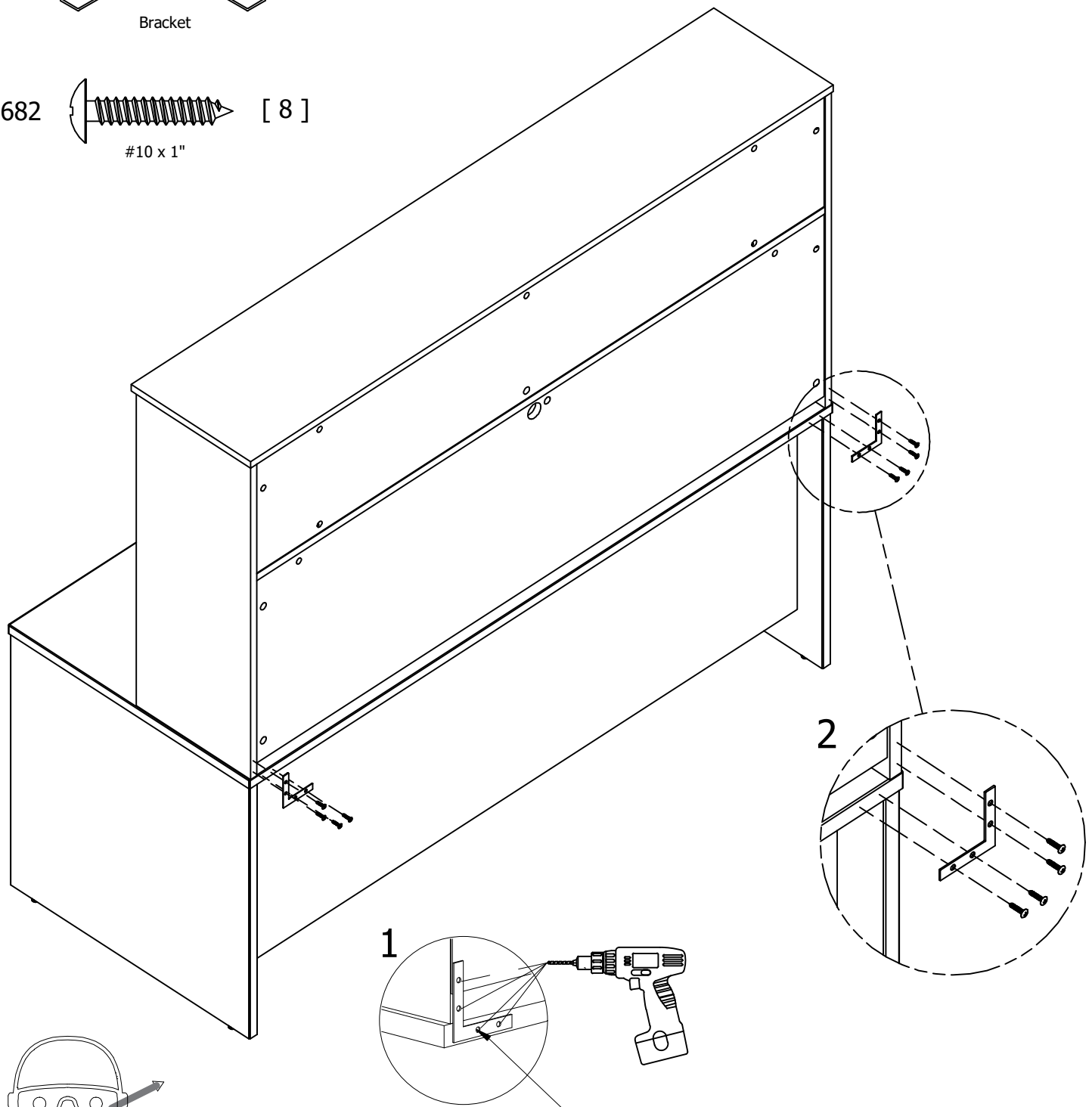


STEP 22

Install Brackets

H85966 [2]
Bracket

H23682 [8]
#10 x 1"

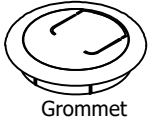


Safety glasses
Gafas de seguridad
Lunettes de protection

Drill (8) 1/8" holes 3/4" deep.
Perfore (8) agujeros de 3mm a 19mm de profundo.
Percer (8) trous de 3mm de diamètre et 19mm de profondeur.

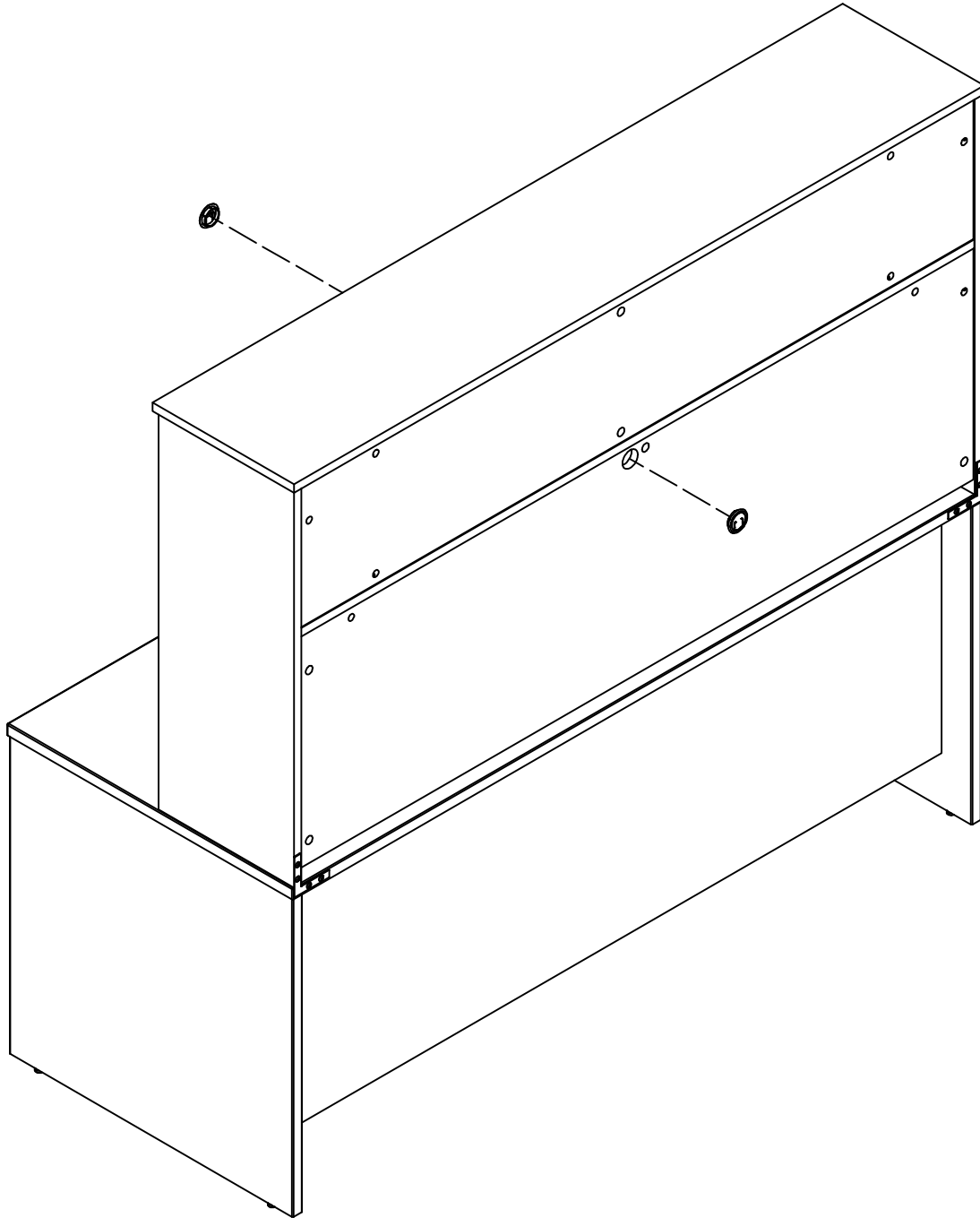
STEP 23

Install Hardware



[2]

Grommet



STEP 24

Wall Attachment

Secure unit to the wall with a tip-over restraint.

Unidad de seguro a la pared con un sistema de retención de un vuelco.

Fixer l'unité au mur avec un dispositif de retenue renversement.

1. Place unit in desired location.
2. Locate wall stud nearest unit center. **FIG A**
3. On wall, mark center of stud location 1" below top of unit. **FIG A**
4. If a wall stud cannot be located mark hollow wall at unit center. **FIG A**
5. On back of unit, mark corresponding location 3/8" below top of unit. **FIG B**

1. Coloque la unidad en el lugar deseado.
2. Localice pie derecho de pared centro de unidad más próxima.
3. En la pared del, marque el centro de la ubicación del montante 1 "abajo la parte superior de la unidad.
4. Si un poste de la pared no se puede localizar marcar pared hueca en el centro de la unidad.
5. En el dorso de la unidad, marque la ubicación 3/8 correspondiente abajo la parte superior de la unidad.

1. Placez l'unité à l'endroit désiré.
2. Localiser centre d'unité la plus proche de la paroi Stud.
3. Sur le mur, centre de emplacement du montant 1 "ci-dessous dessus de l'appareil de la marque.
4. Si un montant de mur ne peut pas être situé marquer mur creux au centre de l'unité.
5. Le dos de l'appareil, marquer l'emplacement 3/8 correspondant ci-dessous dessus de l'appareil.

FIG A

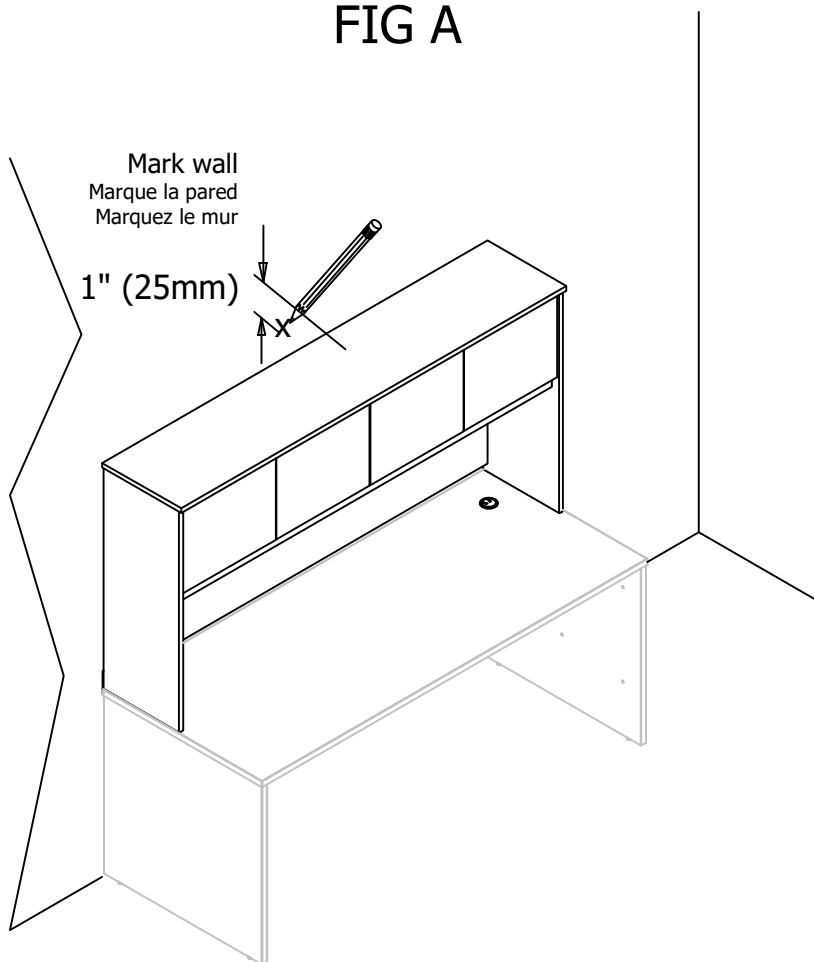
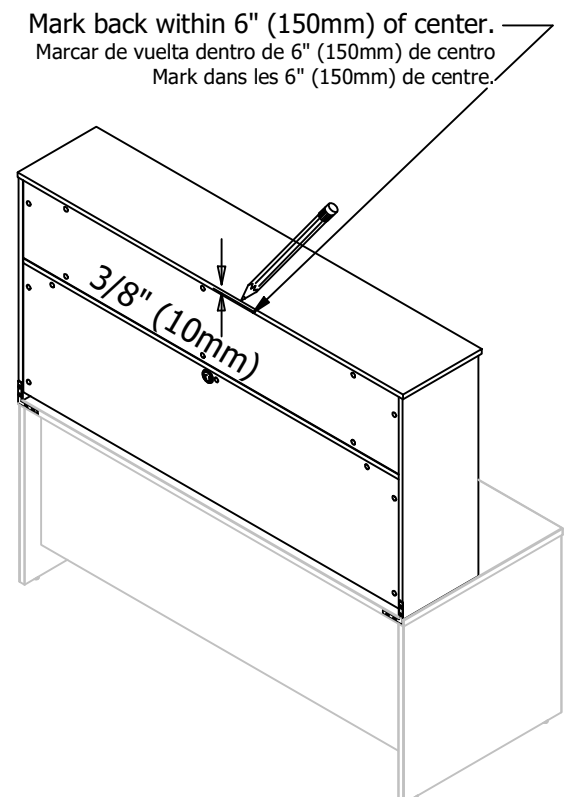
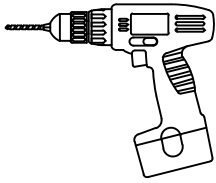


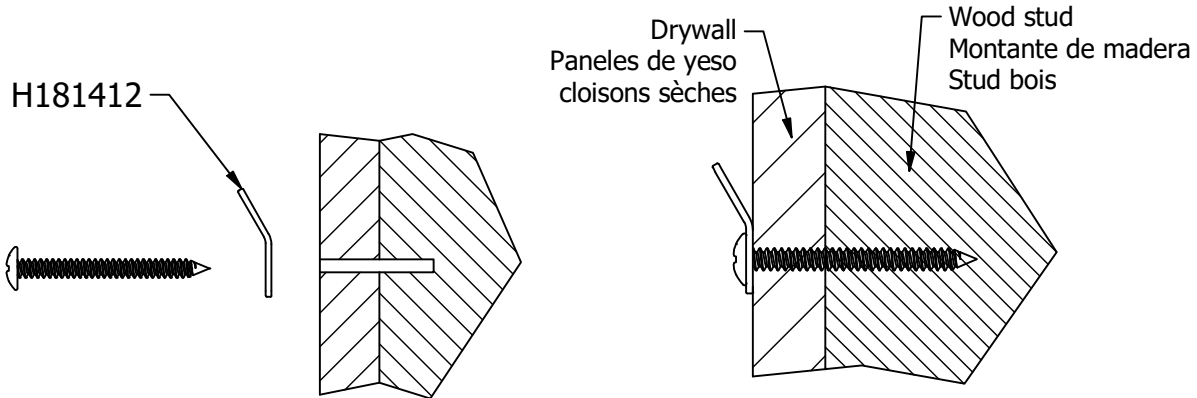
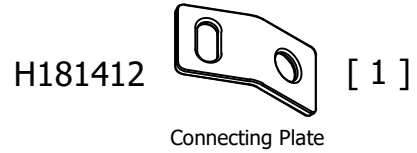
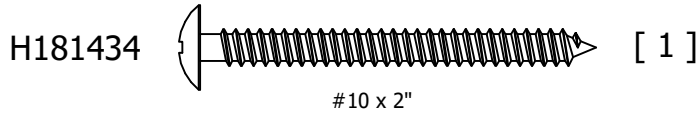
FIG B



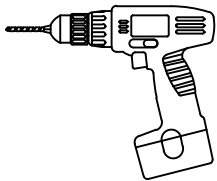
WALL STUD ATTACHMENT



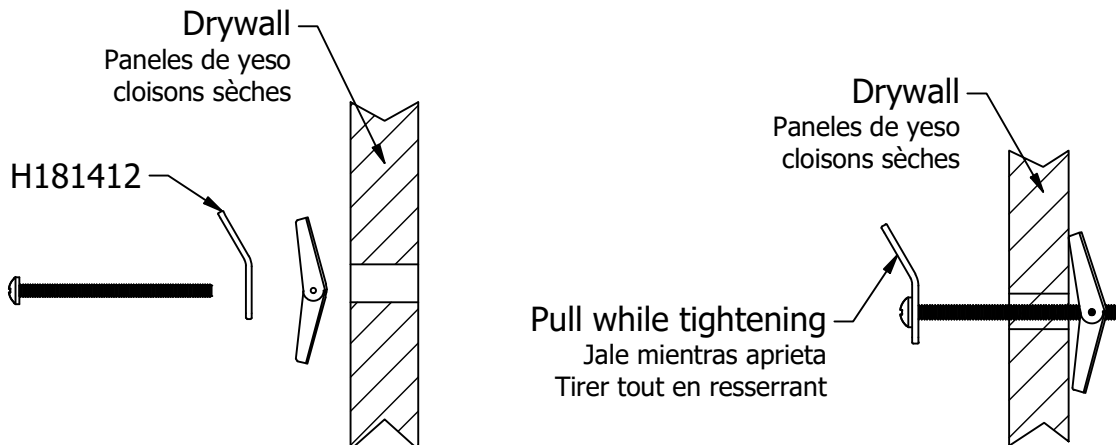
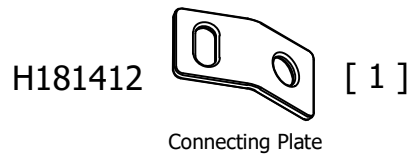
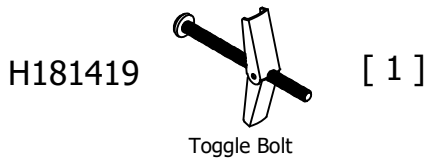
Drill 1/8" hole 2" deep at mark on wall.
 Taladro 1/8 "agujero 2" de profundidad en la marca en la pared.
 Percer 1/8 "trou de 2" de profondeur à la marque sur le mur.



HOLLOW WALL ATTACHMENT



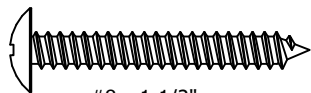
Drill 1/2" hole 1" deep at mark on wall.
 Taladro 1/2 "agujero 1" de profundidad en la marca en la pared.
 Percer 1/2 "trou de 1" de profondeur à la marque sur le mur.



STEP 26

Wall Attachment

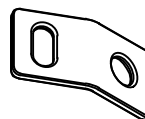
H107572



[1]

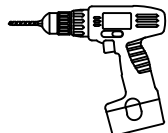
#8 x 1-1/2"

H181412



[1]

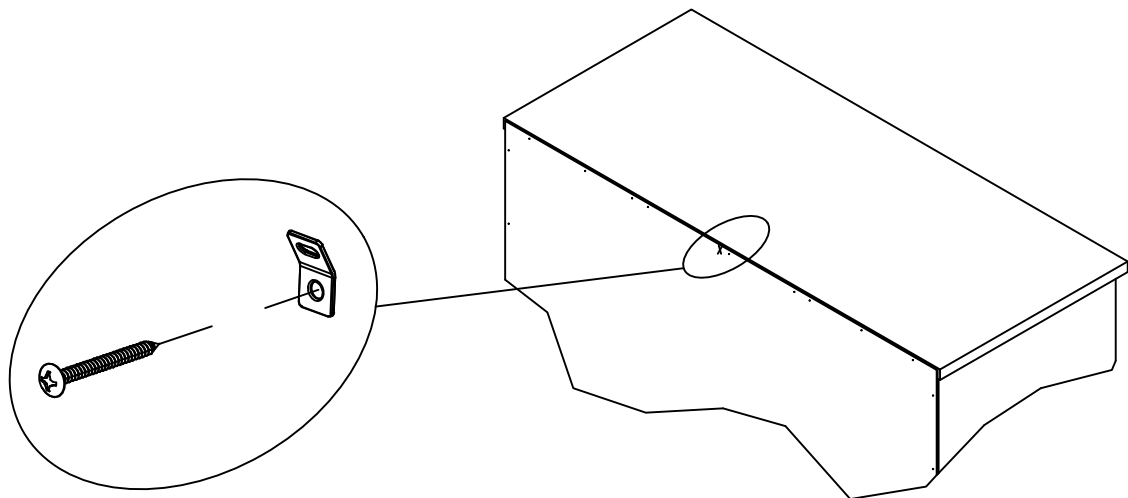
Connecting Plate



Drill 1/8" hole 1" deep at mark on unit.

Taladro 1/8 "agujero de 1" de profundidad en la marca de la unidad.

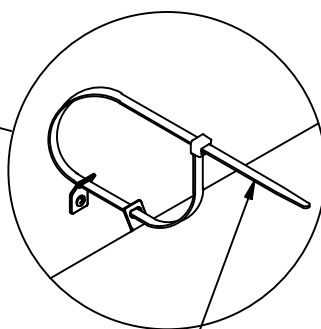
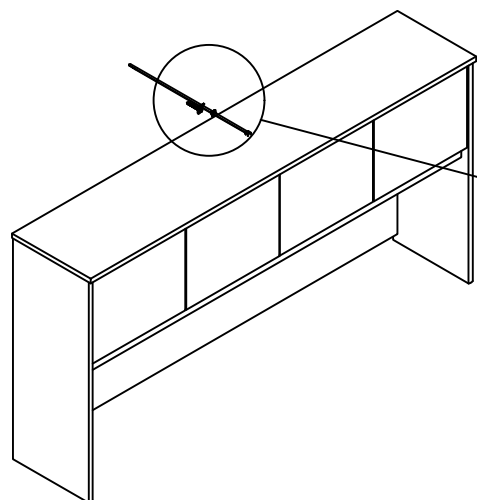
Perçer 1/8 "trou 1" de profondeur à la marque sur l'unité.



H181411

Nylon Cable Tie

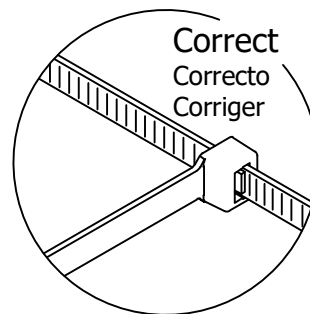
[1]



Pull to verify lock

Tire para verificar cerradura

Tirez pour vérifier serrure



Use replacement cable tie with minimum breaking strength of 120lbs.

Utilice reemplazo empate Cable con resistencia a la rotura mínima de 120 libras.

Utilisez remplacement Attache de câble avec une force de rupture minimale de 120 lbs.

STEP 27

Maximum Loading and Cleaning

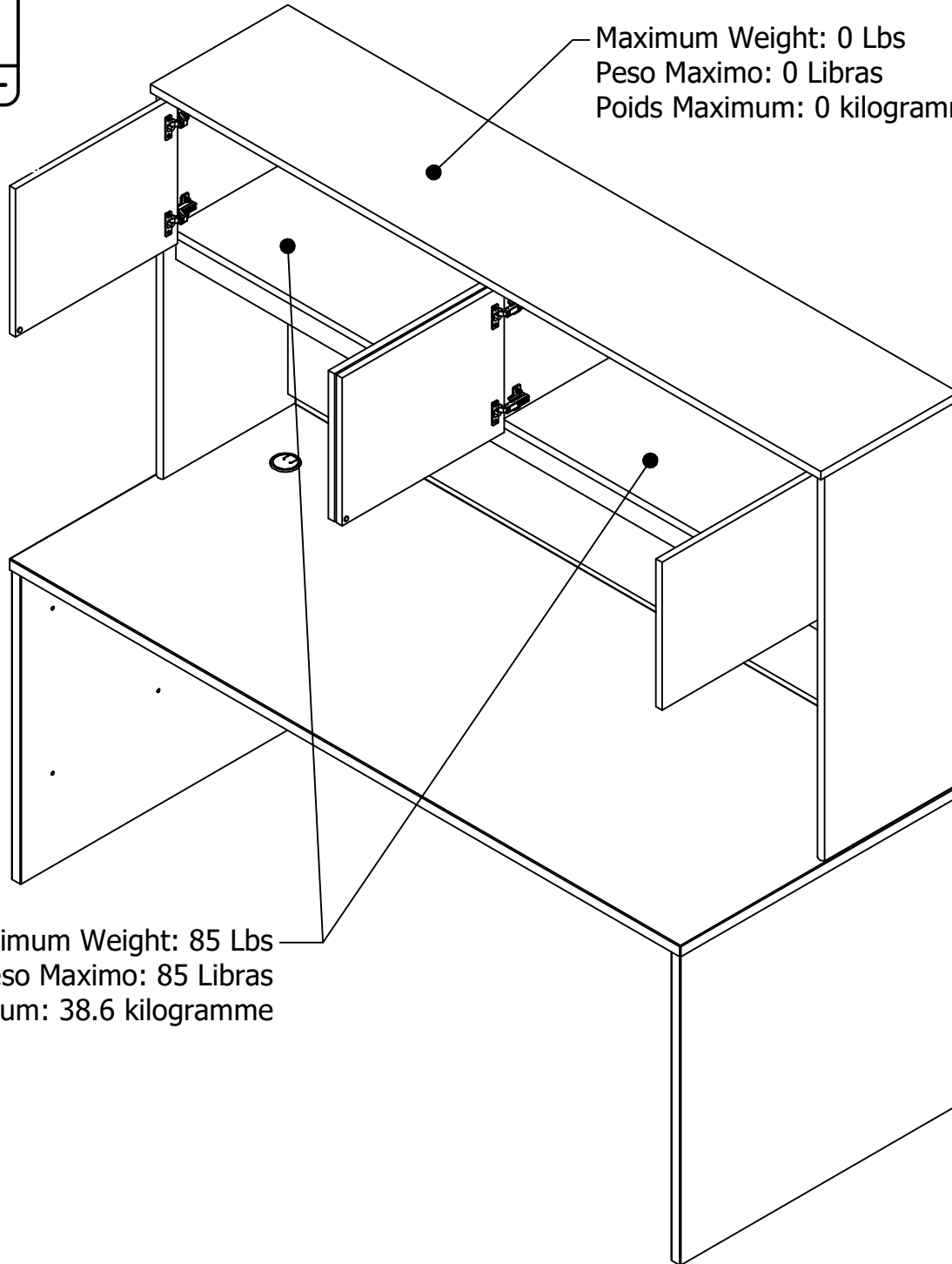
Scan QR Code to Watch Video on:



How to Clean the Surface

Gently clean surfaces with a damp sponge eraser.

Maximum Weight: 0 Lbs
Peso Maximo: 0 Libras
Poids Maximum: 0 kilogramme



Maximum Weight: 85 Lbs
Peso Maximo: 85 Libras
Poids Maximum: 38.6 kilogramme

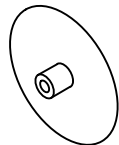
Congratulations! You are all done. If you have any questions or concerns, please call.

PARTS LIST

SCH172BW

A	[1]	W205530
B	[1]	W205531
C	[1]	W205532
D	[1]	W205533
E	[1]	W205534
F	[1]	W205535
G	[1]	W205536
H	[1]	W205538
I	[4]	W205537

H191633 [24]



Cover Cap

H147659 [2]



Grommet

SCH172SG

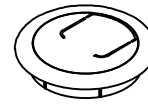
A	[1]	W189322
B	[1]	W189323
C	[1]	W189324
D	[1]	W189325
E	[1]	W189326
F	[1]	W189327
G	[1]	W189328
H	[1]	W192265
I	[4]	W189330

H92521 [24]



Cover Cap

H184607 [2]

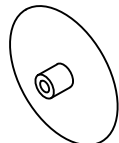


Grommet

SCH172PG

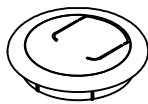
A	[1]	W191658
B	[1]	W191659
C	[1]	W191660
D	[1]	W191661
E	[1]	W191662
F	[1]	W191663
G	[1]	W191664
H	[1]	W191665
I	[4]	W191666

H83021 [24]



Cover Cap

H184607 [2]

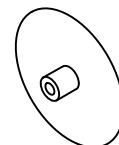


Grommet

SCH172MH

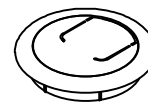
A	[1]	W205539
B	[1]	W205540
C	[1]	W205541
D	[1]	W205542
E	[1]	W205543
F	[1]	W205544
G	[1]	W205545
H	[1]	W205547
I	[4]	W205546

H83021 [24]



Cover Cap

H184607 [2]

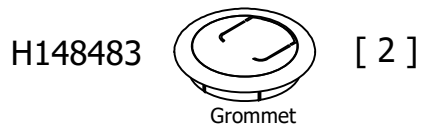
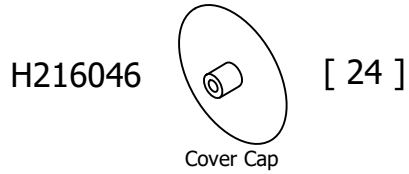


Grommet

PARTS LIST

SCH172NE

A	[1]	W216005
B	[1]	W216006
C	[1]	W216007
D	[1]	W216008
E	[1]	W216009
F	[1]	W216010
G	[1]	W216011
H	[1]	W216012
I	[4]	W216013



SCH172WH

A	[1]	W191857
B	[1]	W191858
C	[1]	W191859
D	[1]	W191860
E	[1]	W191861
F	[1]	W191862
G	[1]	W191863
H	[1]	W191864
I	[4]	W191865

