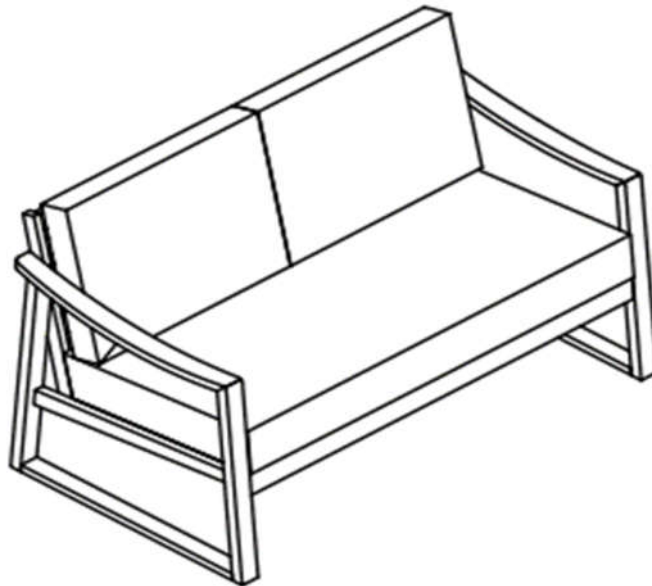


# Assembly Instructions

**Caution: You must read this before you proceed**

**Please look in the Leg Frame for Hardware packs**

## Loveseat

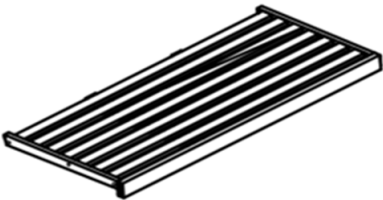
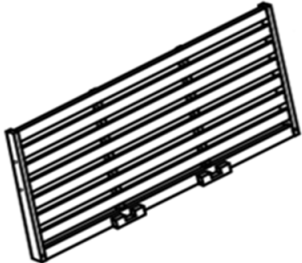
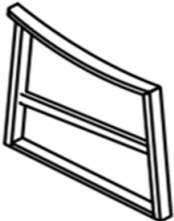
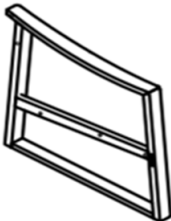
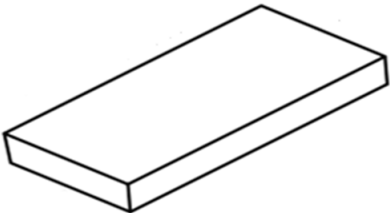
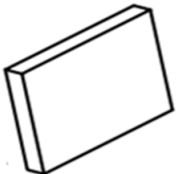


**CAUTION:** This Loveseat is NOT a TOY.




Keep your child / children at bay during the assembly process.

Whenever lifting or moving the Loveseat and to prevent damage to the Loveseat, two adults may be needed to execute these actions.

# Part List

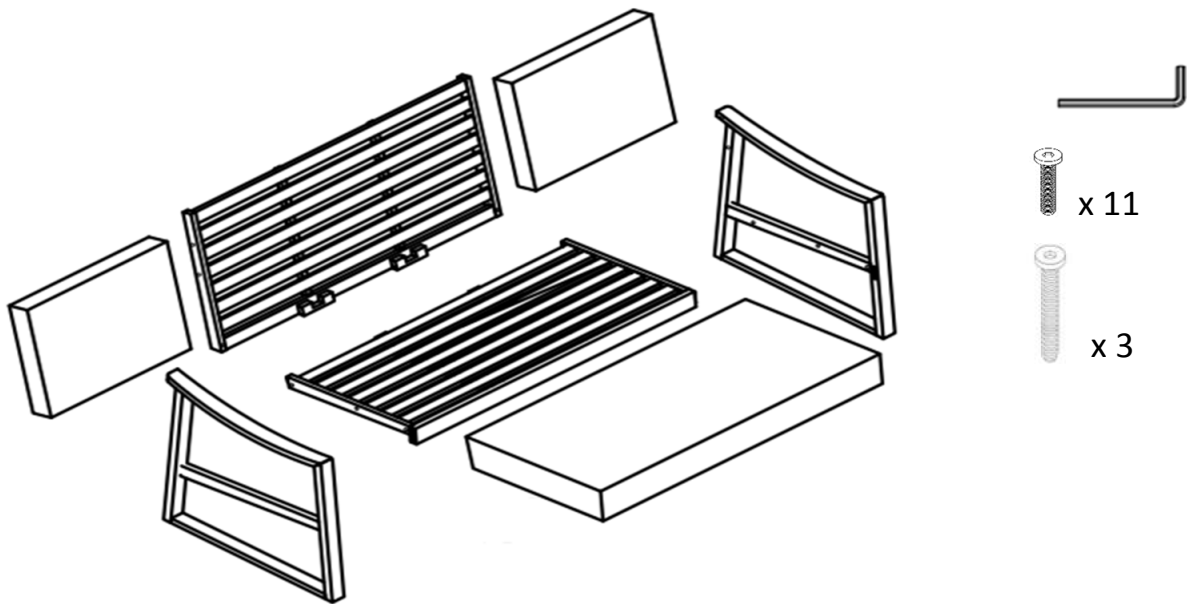
Label	Picture	Description	QTY
A	 A rectangular panel with horizontal slats, shown from a perspective view.	Seat Panel	1
B	 A rectangular panel with horizontal slats, shown from a perspective view. It has two small circular fasteners on the bottom edge.	Backrest Panel	1
C	 A rectangular frame with a curved top edge, shown from a perspective view.	Left Leg Frame	1
D	 A rectangular frame with a curved top edge, shown from a perspective view.	Right Leg Frame	1
E	 A rectangular cushion, shown from a perspective view.	Seat Cushion	1
F	 A rectangular pillow, shown from a perspective view.	Pillow	2

# Hardware

Label	Picture	Description	QTY
①		Bolt (M6x35mm)	11
②		Screw (M6x60mm)	3
③		Allen Key	1

# Assembly Preparation

Before Beginning Assembly:



- Read instructions, cover to cover-



- Have 2 adults on hand for assembly-



- Do not assemble on flooring or carpet-



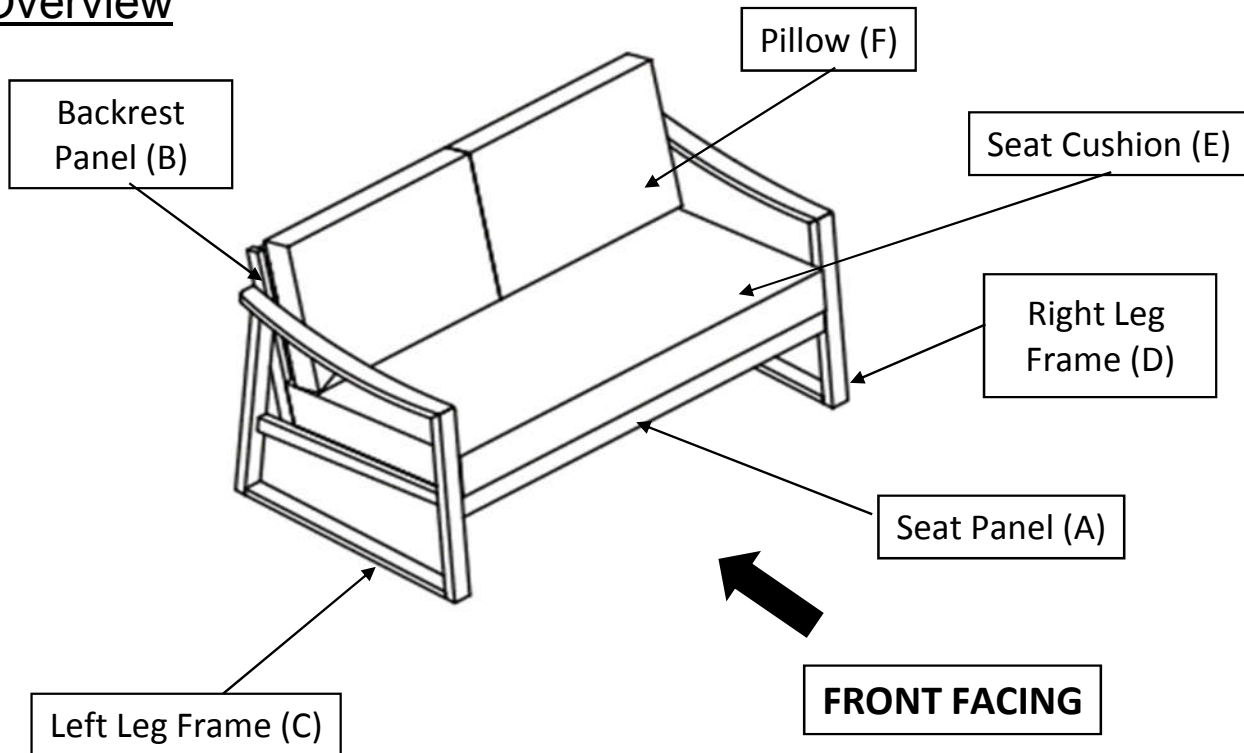
- Assemble on a clean non-marring surface (packing foam)-



- Save all packaging until finished-

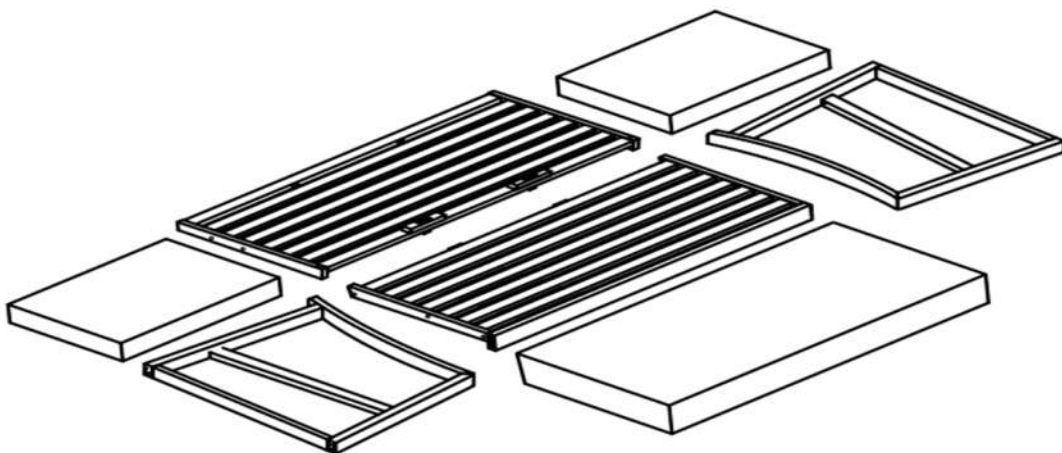
# Assembly Steps

## Overview



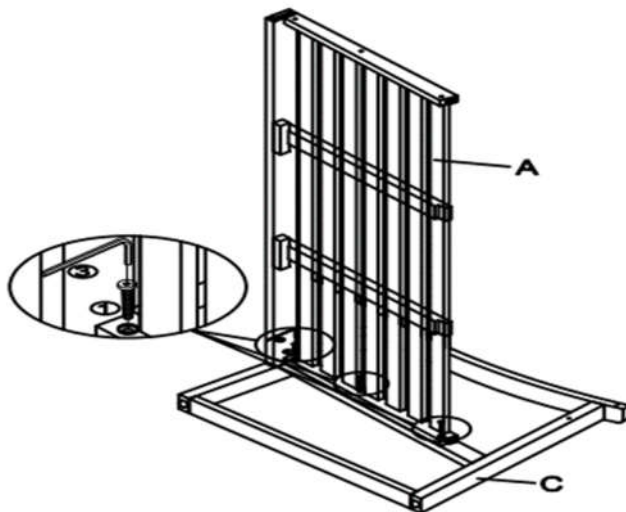
This Loveseat has multiple parts and may require up to 30 minutes to assemble. To give you an overview of the Loveseat parts, the above picture is to help you put the various parts into perspective. Please read through the instructions below to familiarise yourself with the parts and steps before assembly.

## Step 1



Unpack and place all parts on a clean, non-marring surface.

## Step 2

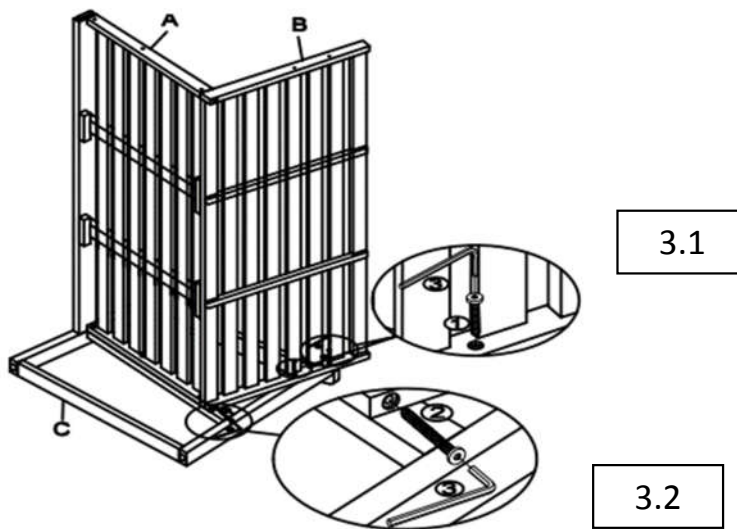


With assistance from your adult partner, position Seat Panel(A) to Left Leg Frame(C) as shown in above picture.

Using 3 Bolts(①) with Allen Key(③) to attach Seat Panel(A) to Left Leg Frame(C) as pictured.

**Do not fully tighten the Bolts.**

## Step 3



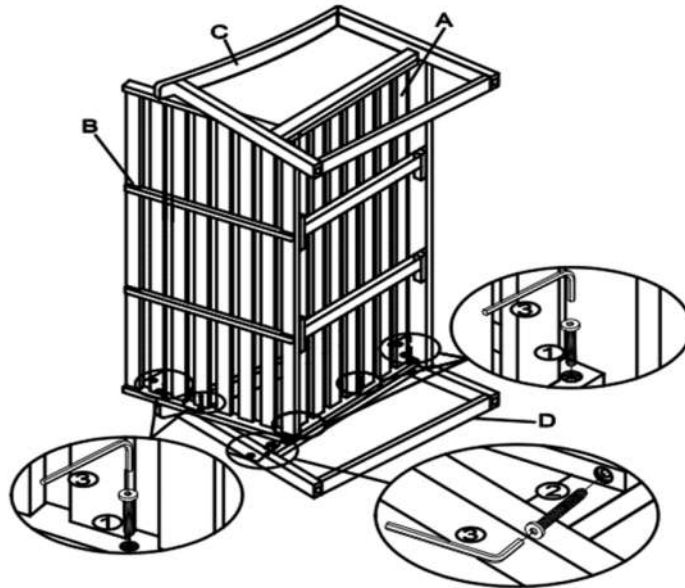
With assistance from your adult partner, position Backrest Panel(B) to assembled parts in Step 2 as shown in above picture.

3.1) Using 2 Bolts(①) with Allen Key(③) to attach Backrest Panel(B) to Left Leg Frame(C) as pictured.

3.2) Using Screw(②) with Allen Key(③) to attach Backrest Panel(B) to Seat Panel(A) as pictured.

**Do not fully tighten the Bolts and Screw.**

## Step 4

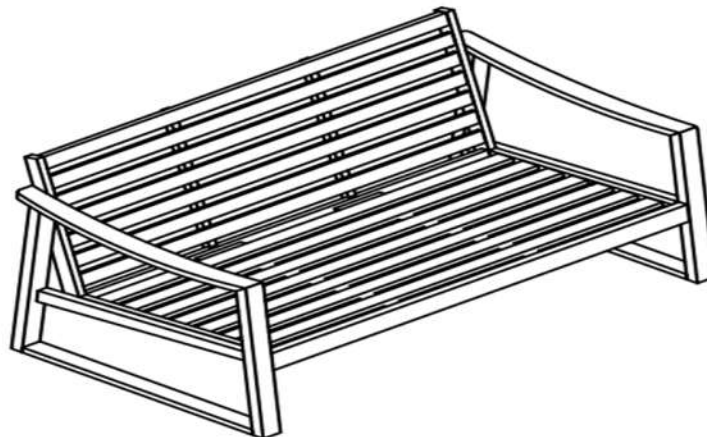


With assistance from your adult partner, turn the assembled parts in Step 3 to its other side.

Repeat the same process in Step 2 and Step 3 to attach Right Leg Frame(D) to Seat Panel(A) and Backrest Panel(B).

**Do not fully tighten the Bolts and Screws.**

## Step 5



Stand the Loveseat up, with assistance from your adult partner.

Exert pressure floorwards, onto the Loveseat with both your hands.

This pressure will help the Legs and Loveseat reach full alignment status.

Check for wobbles on a LEVEL surface.

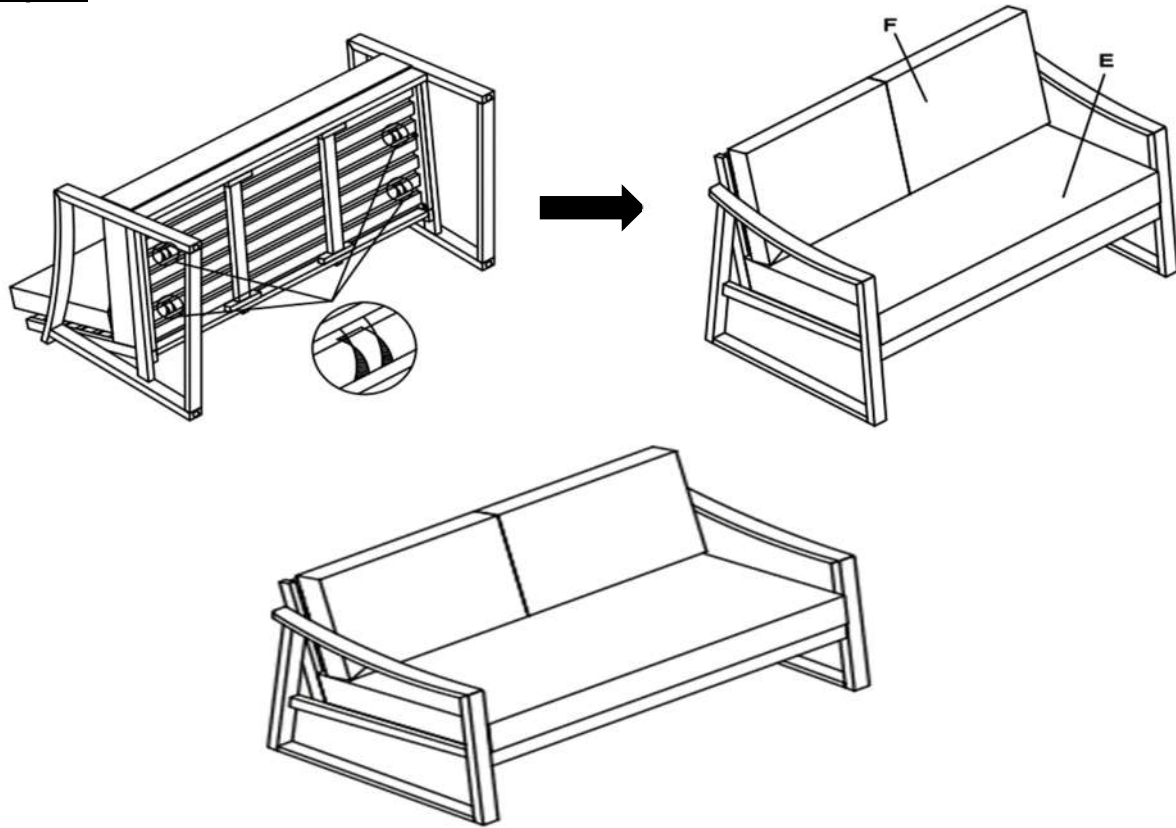
If no wobbles are found proceed to tighten Bolts and Screws in a sequential manner, until evenly secured.

When tightening Bolts and Screws tighten sequentially.

**Do not tighten any Bolt and Scew fully and then move on towards the next one.**

**If there are still wobbles, loosen Bolts and Screws and excute the same above process.**

## Step 6












Place Seat Cushion(E) onto the Loveseat, then tie the velcro of Seat Cushion(E) to the Loveseat as shown above  
Turn the Loveseat right side up, place the Pillow(F) to the Loveseat as shown above.

**Your Loveseat is ready for use.**

**This Loveseat can only be used on a flat, level surface.**

## Care & Maintenance

-  ● Do not put hot items directly on furniture surface
  -  ● Do not clean furniture with harsh cleansers or polish.
  -  ● To obtain the longest lifespan of your outdoor products, minimizing exposure to direct sunlight is recommended.
  -  ● Children should not climb or jump on the furniture.
  -  ● Do not write on furniture without a padded barrier to protect the surface.
  -  ● To obtain the longest lifespan of your outdoor products, avoid extended and lengthy exposure to rain, snow, and direct sunshine. Whenever possible cover the product and /or place under patio or awnings.
  -  ● Not for commercial use. For residential use only .
  -  ● Stains may be removed with mild soap solution and damp cloth.
- 
-  ● Dust and pick-up spills using a clean, non-colored, lint-free cloth .