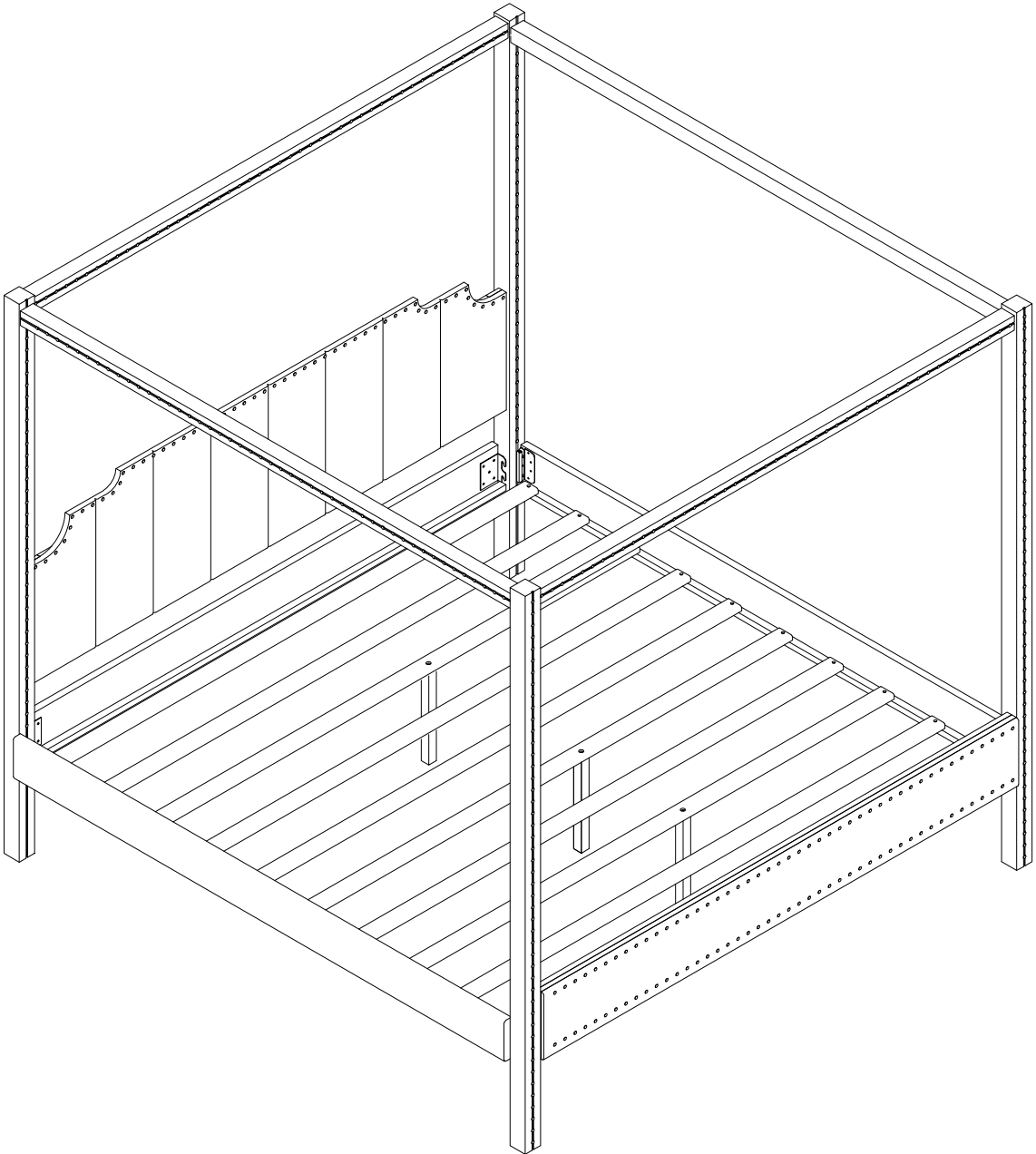


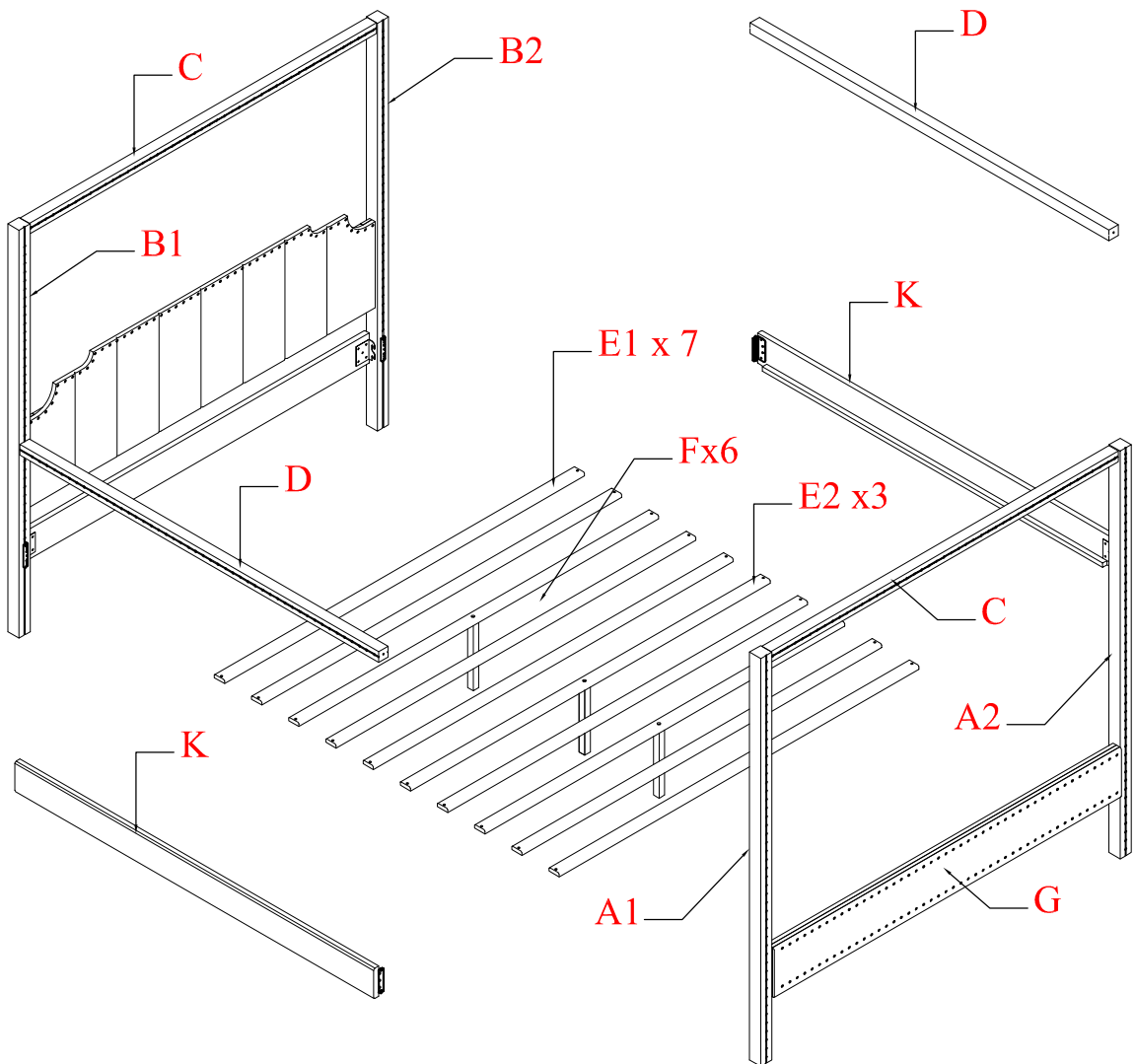
ASSEMBLY INSTRUCTION
SKU CODE: (WF290572AAE-WF290573AAE)




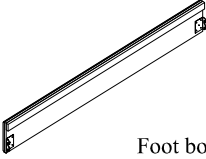
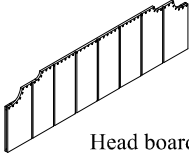
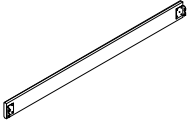
! SAFETY WARNINGS !

1. This bed is designed for use Queen Mattress 80 inch Long and 60 inch Wide
2. Always use the recommended size mattresses or mattress supports, or both, to help prevent the likelihood of entrapment or falls.
3. Do not allow horseplay on or under the bed and prohibit jumping on the bed
4. Do not use substitute parts. Contact the manufacturer or dealer for replacement parts.
5. Keep these instructions for future reference





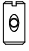

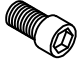


ASSEMBLY INSTRUCTION



Part List(WF290572AAE)

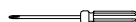
<p>F</p>  <p>Support Leg : 3 pcs</p>	<p>G</p>  <p>Foot board - panel : 1 pc</p>	<p>H</p>  <p>Head board - top panel : 1 pc</p>
<p>L</p>  <p>Head board - bottom panel : 1 pc</p>		

Hardware List

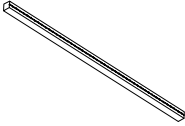
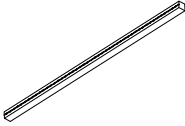
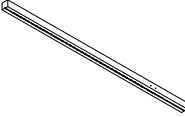
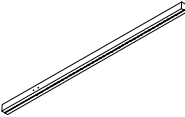


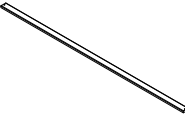

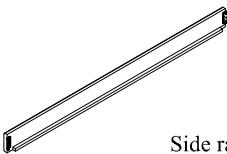
<p>1</p>  <p>Ø1/4" x 25 mm Hex-Head bolts 15 pcs</p>	<p>2</p>  <p>Ø1/4" x 80 mm Hex-Head bolts 4 pcs</p>	<p>3</p>  <p>Ø1/4" x 100 mm Hex-Head bolts 8 pcs</p>
<p>4</p>  <p>Allen Key P4 1pc</p>	<p>5</p>  <p>M 1/4 x 12 mm Crossing Nut : 4 pcs</p>	<p>6</p>  <p>M4 x 30 mm Wood Screws 20 pcs</p>
<p>7</p>  <p>Ø1/4" x 10 mm Hex-Head bolts 8 pcs</p>	<p>8</p>  <p>Allen Key P5 1pc</p>	<p>9</p>  <p>Plastic Foot(Ø32x12) 4pcs</p>

Assembly Tools Required (Not Included)



Screwdriver

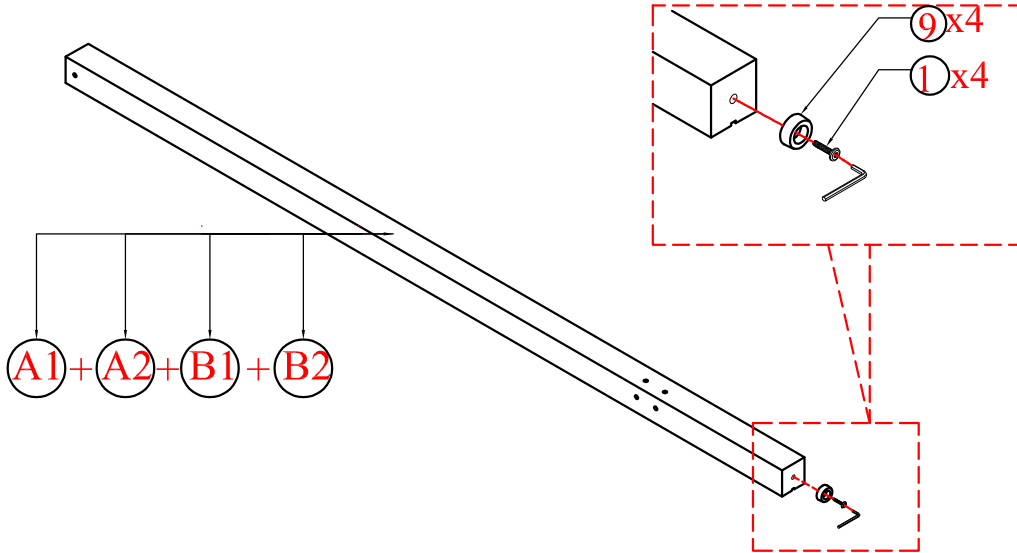



Part List(WF290573AAE)

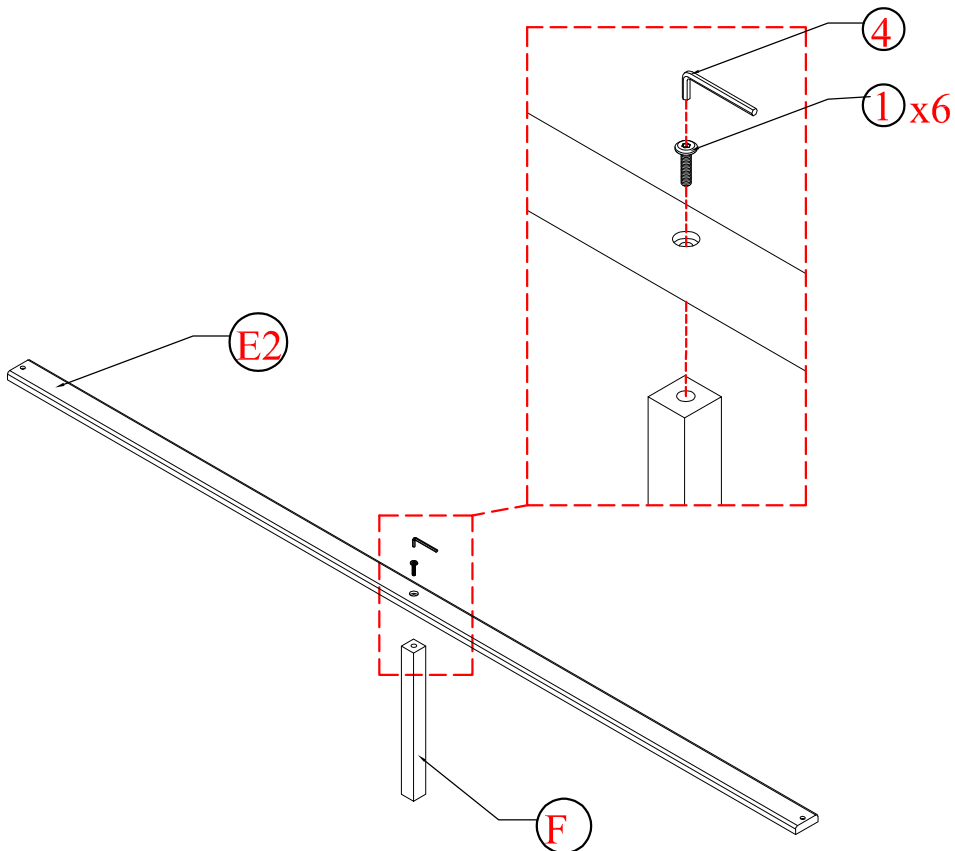
<p>A1</p>  <p>Foot board post - Left : 1 pc</p>	<p>A2</p>  <p>Foot board post - Right : 1 pc</p>	<p>B1</p>  <p>Head board post - Left : 1 pc</p>
<p>B2</p>  <p>Head board post - Right : 1 pc</p>	<p>C</p>  <p>Post connector HB and FB : 2 pcs</p>	<p>D</p>  <p>Post connector -Side rail : 2 pcs</p>
<p>E1</p>  <p>Slats : 7 pcs</p>	<p>E2</p>  <p>Slats : 3 pcs</p>	<p>K</p>  <p>Side rail: 2 pcs</p>

STEP 1: Following below illustration:

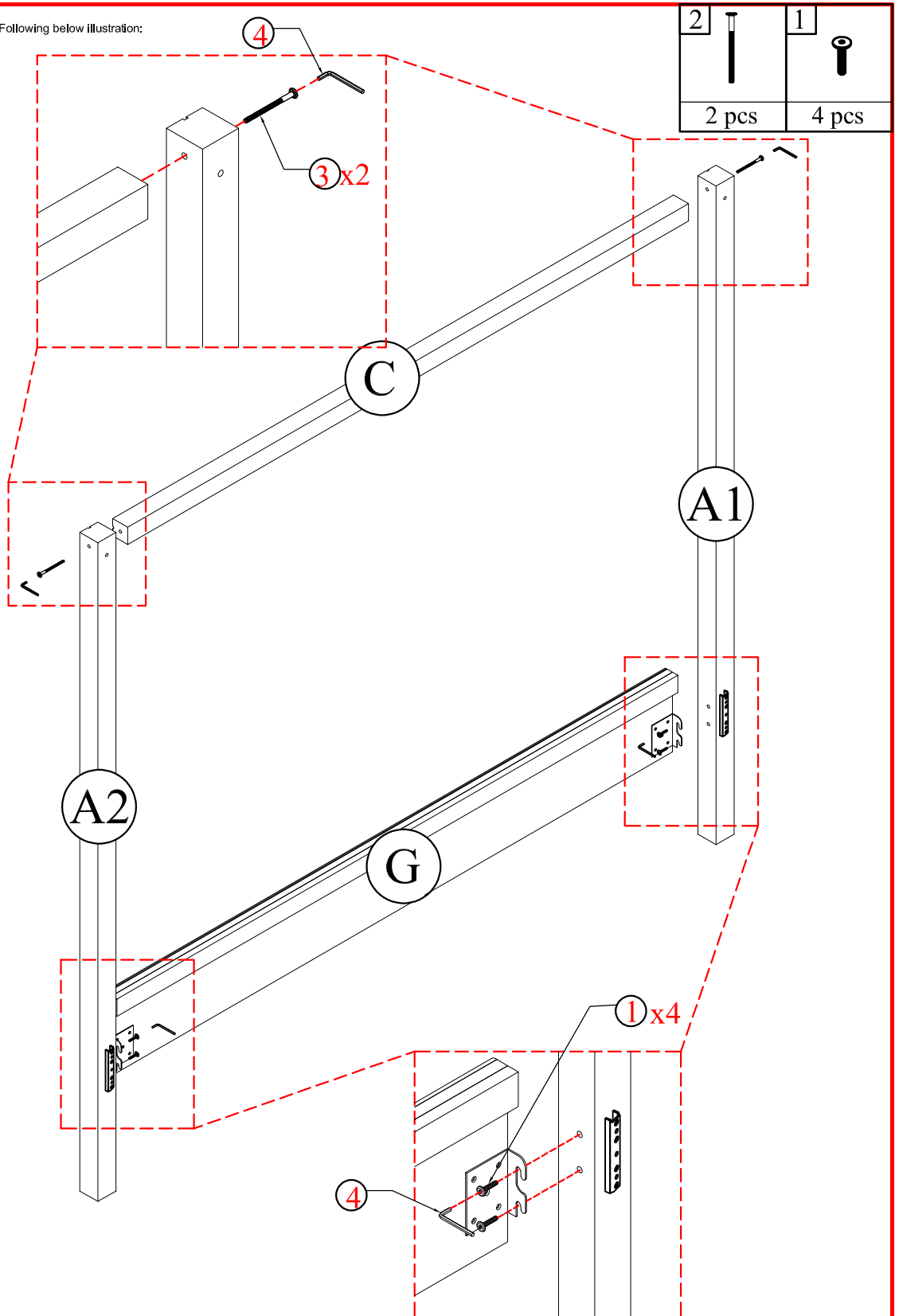
9	1
	
4pcs	4pcs





1

3 pcs

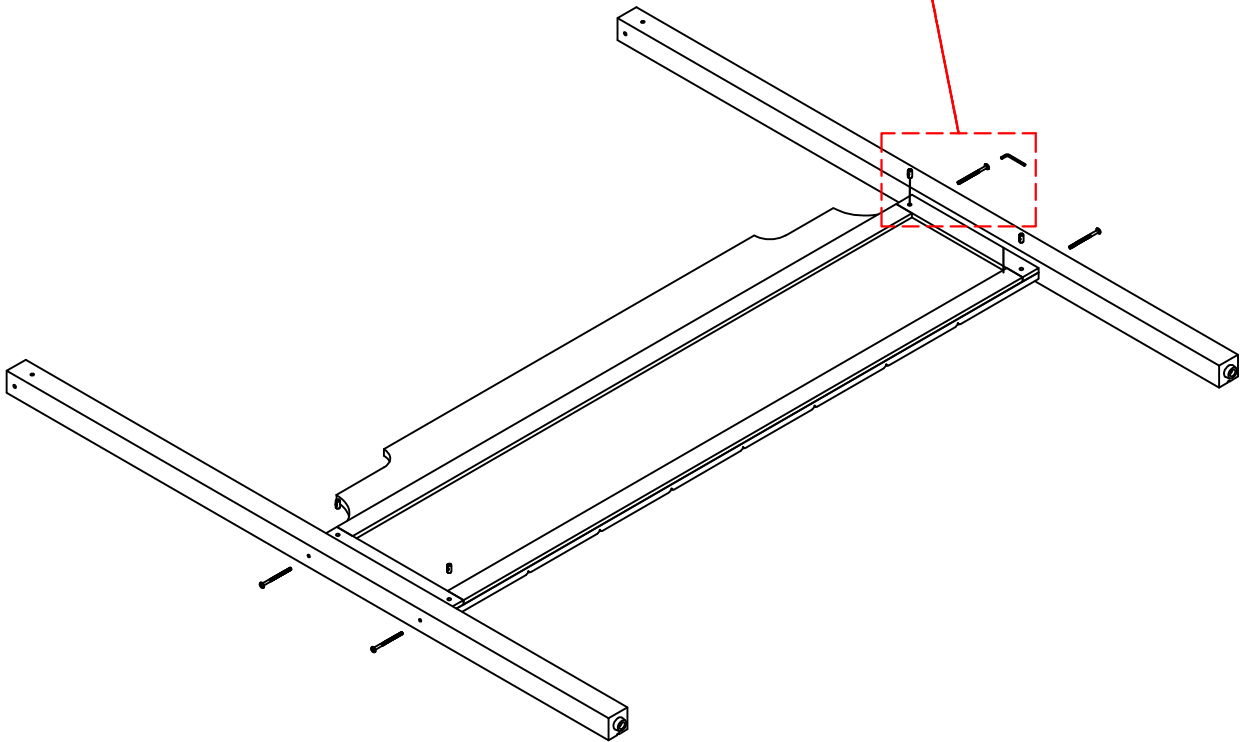
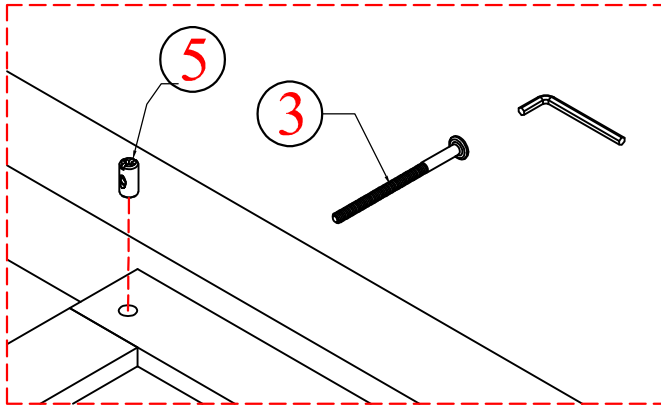


STEP 2: Following below illustration:





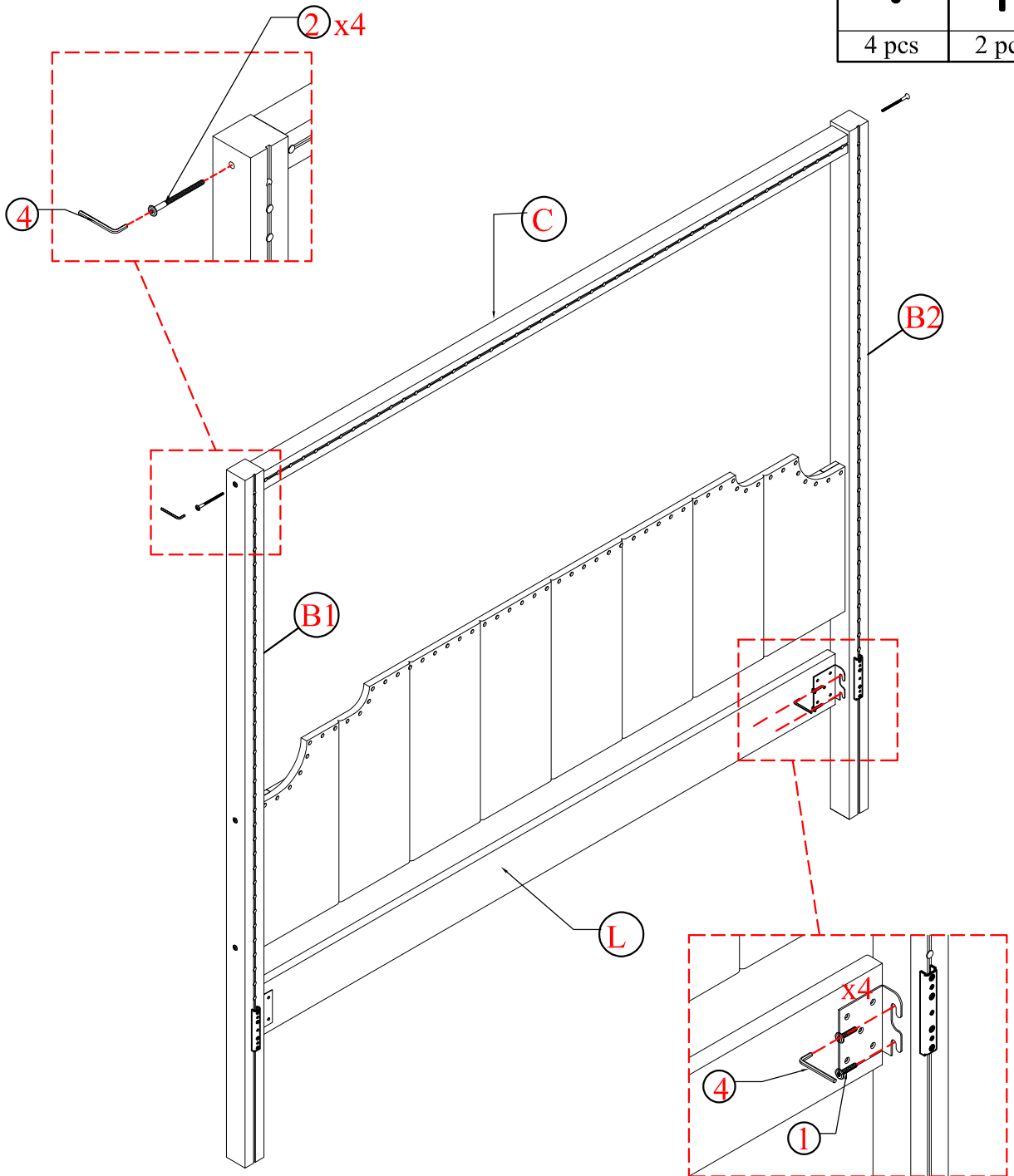
STEP 3: Following below illustration

5	3
	
4 pcs	4 pcs




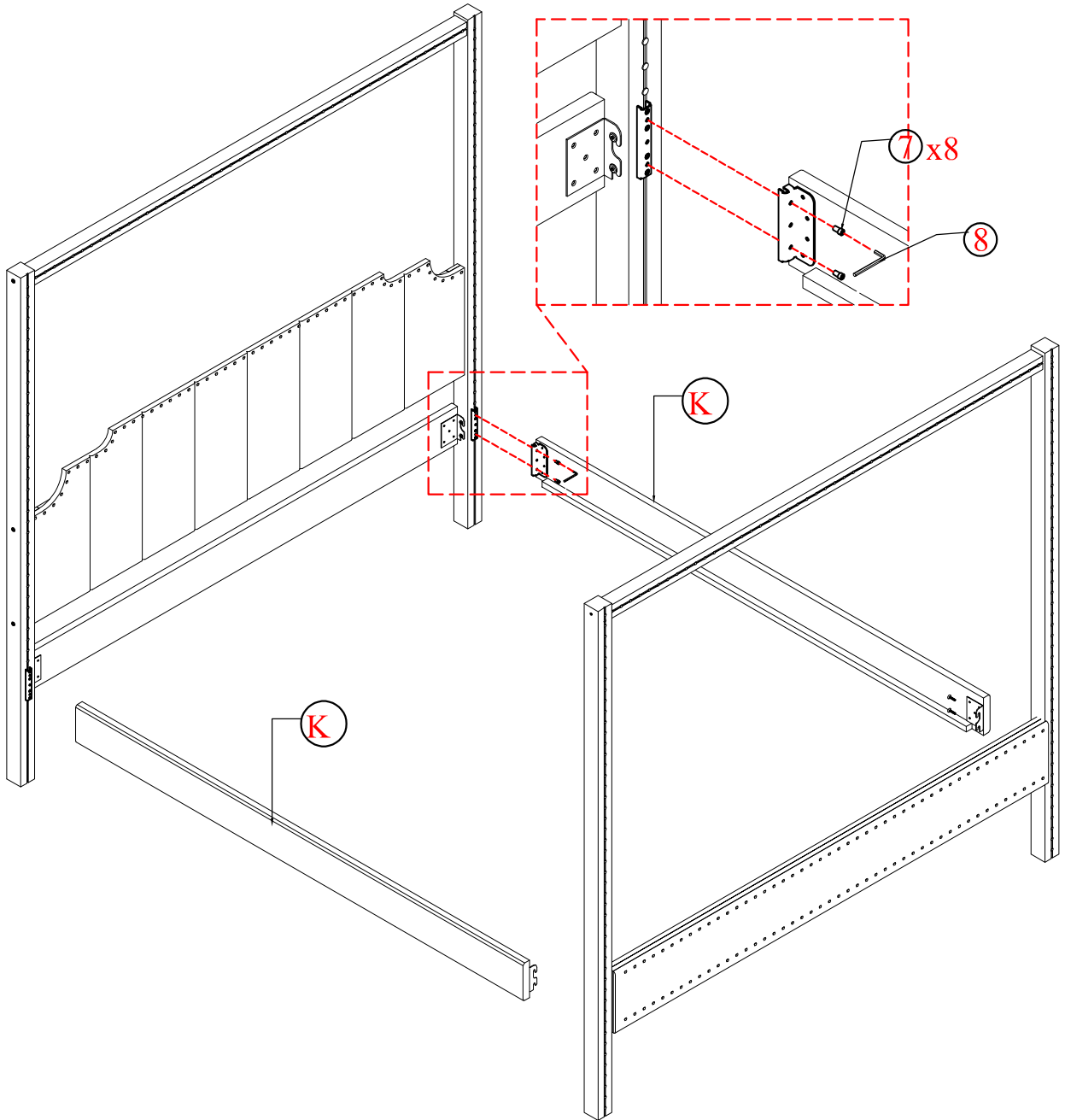
STEP 4: Following below illustration

1	2
	
4 pcs	2 pcs




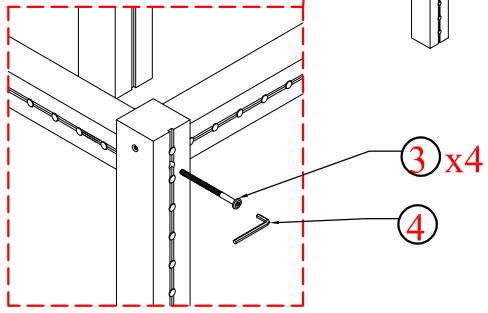
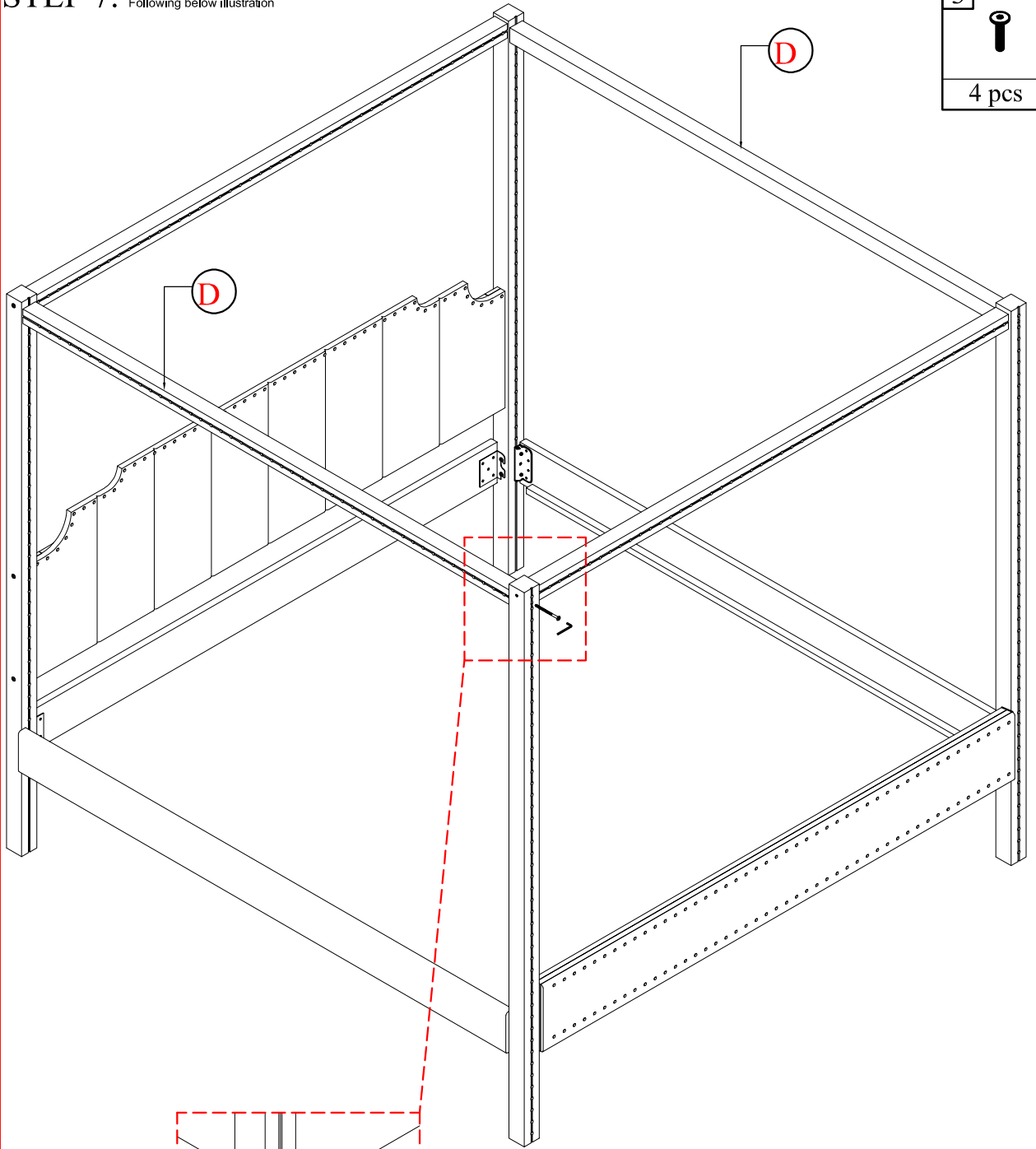
STEP 6: Following below illustration

7

8 pcs



STEP 7: Following below illustration

3	
4 pcs	



STEP 8: Following below illustration

6
20 pcs

