

EXTENSION LEAF DINING TABLE

ASSEMBLY INSTRUCTIONS



ASSEMBLY INSTRUCTIONS

ASSEMBLY TIPS:









1. Remove hardware from box and sort by size
2. Please check to see that all hardware and parts are present prior to start of assembly.
3. Please follow attached instruction in the same sequence as numbered to assure fast & easy assembly.




Warning!

1. Don't attempt to repair or modify parts that are broken or defective. Please contact the store immediately.
2. This product is for home use only and not intended for commercial establishment

PARTS IDENTIFICATION

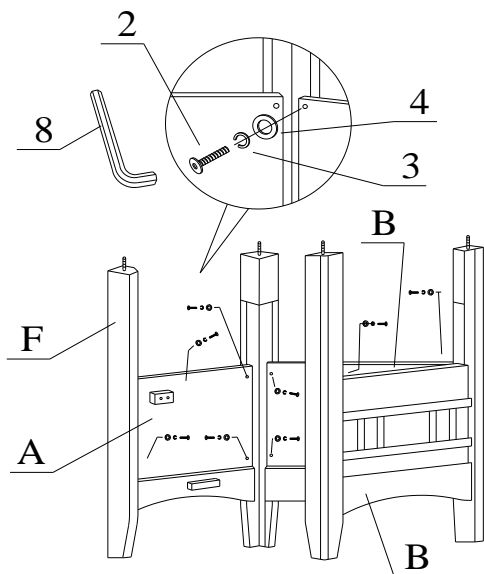
A		SIDE PANEL WITH EXTRA CLEAT	1PC
B		SIDE PANEL	2PCS
C		DOOR PANEL	1PC
D		TABLE TOP	1PC
E		TABLE LEAF	1PC
F		TABLE LEG	4PCS
G		TOP PANEL	1PC
H		BOTTOM PANEL	1PC

HARDWARE IDENTIFICATION

1		HEX NUT	4PCS
2		BOLT	14PCS
3		LOCK WASHER	18PCS
4		SMALL FLAT WASHER	14PCS
5		LARGE FLAT WASHER	4PCS
6		SCREW	4PCS
7		DOOR HINGE	1PC
8		ALLEN WRENCH	1PC
9		WRENCH	1PC

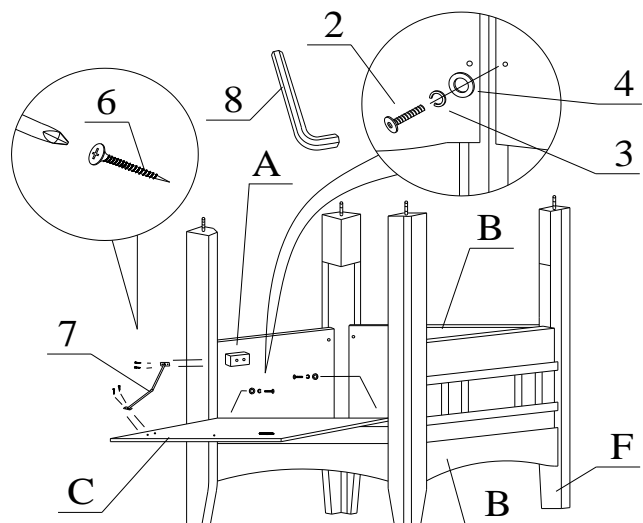
STEP 1

Align & fasten side panels to table legs using bolts, lock washers & small flat washers. Tighten with Allen wrench.



STEP 2

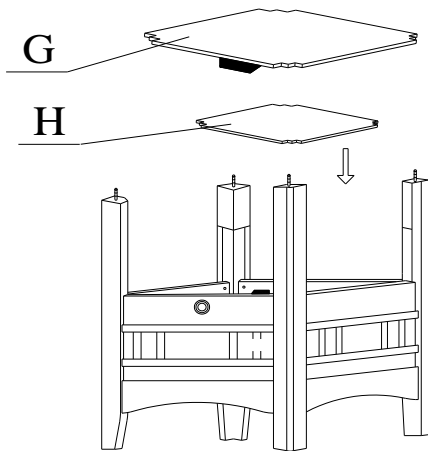
2.1 Align & fasten door panel to table legs using bolts, lock washers & small flat washers. Tighten with Allen wrench.
2.2 Align & fasten door hinge to extra cleat on side panel using screw. Tighten with screw driver (not included)



ASSEMBLY INSTRUCTIONS

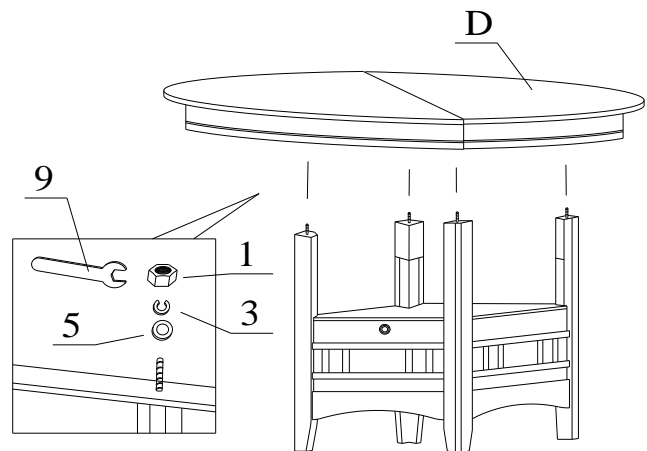
STEP 3

Place both top & bottom panels into position as per diagram shown.



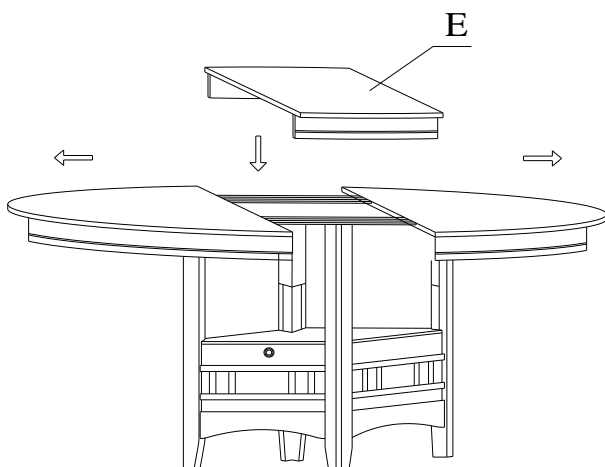
STEP 4

Align & fasten table top to table legs using large flat flat washer, lock washer & hex nut. Tighten with wrench.



STEP 5

Pull out the table top in order to place the table leaf into position.



STEP 6

Close the table top.

