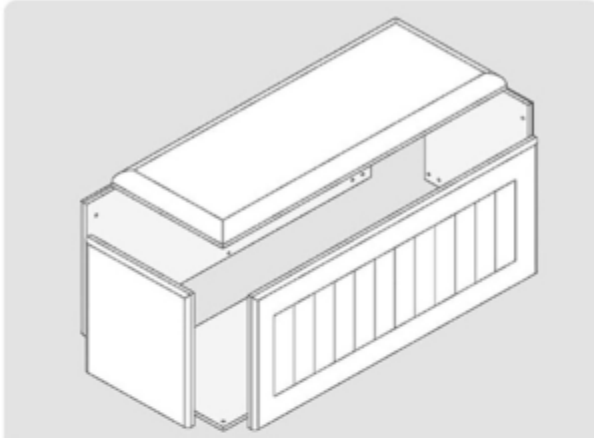
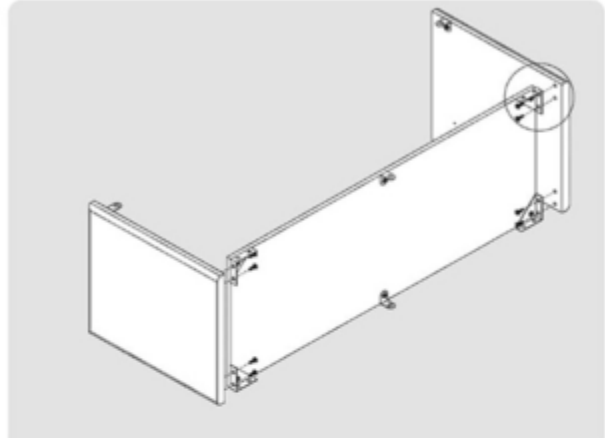


BUILT TO LAST – JUST 4 STEPS AWAY

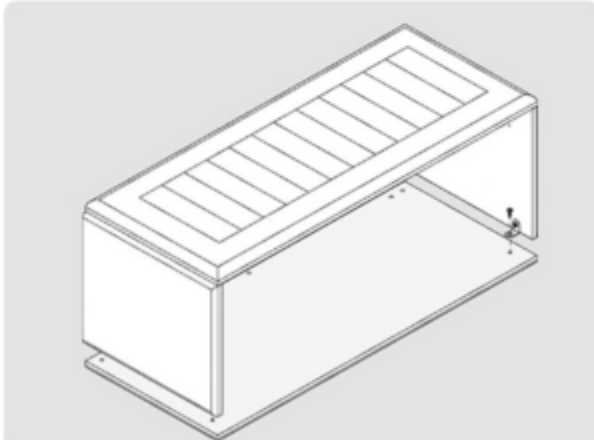
Secure. Durable. Worth the effort.



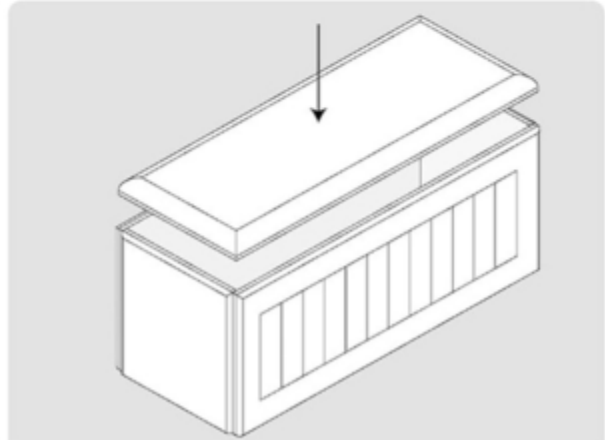
1. Check that all parts are included.



2. Attach the side panels to the base.



3. Install the front and back boards.



4. Place the cushion lid – you're done!