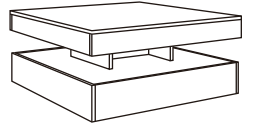
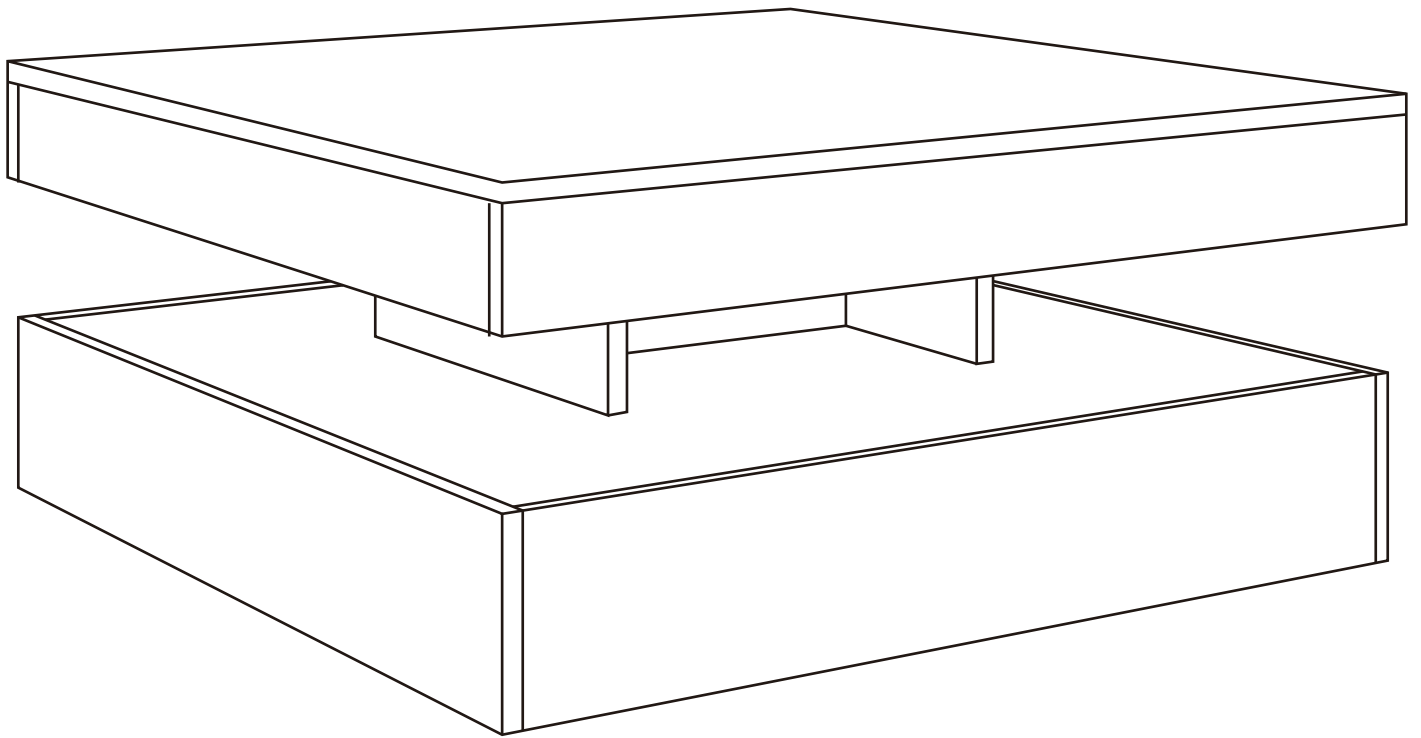


# LED Coffee Table

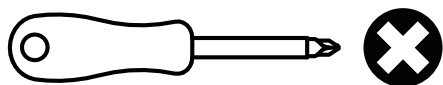
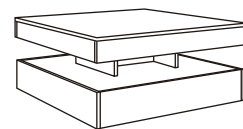


## Instruction

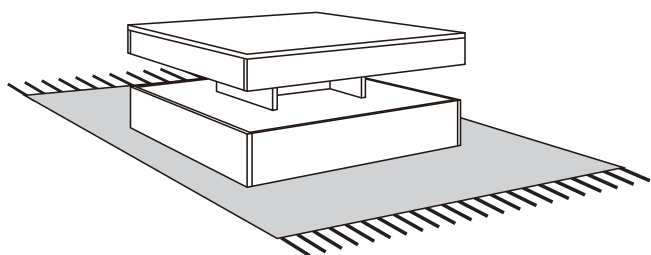


# INSTRUCTION

## TOOLS & TIPS

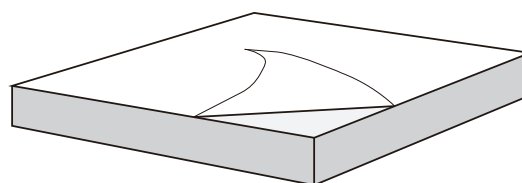


# 1



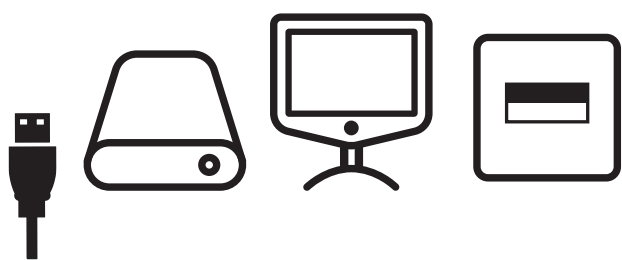
Before assembling, please be sure to put all the boards on a very clean and soft blanket or sheet, and do not put them next to sharp objects to avoid the boards being scratched or soiled.

# 2



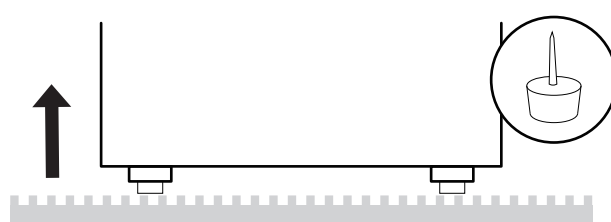
After assembly, the plastic film on the surface of the board should be torn off to avoid affecting the overall visual effect.

# 3



The LED lights can be directly connected to USB power supply, such as power bank, computers, USB plugs, etc.

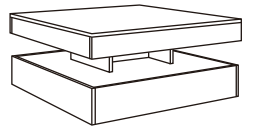
# 4

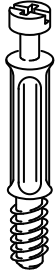


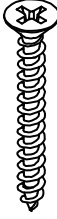
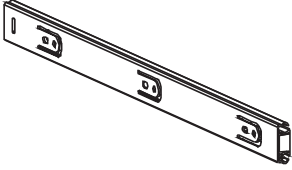
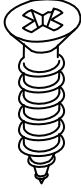

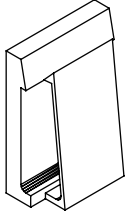
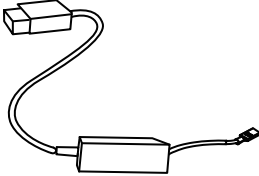
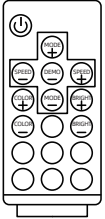
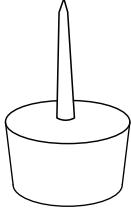


The package comes with a number of high feet, if your home carpet is thick, you can staple the high pads to the sideboard of the table bottom.

# INSTRUCTION

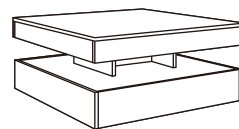
# HARDWARE



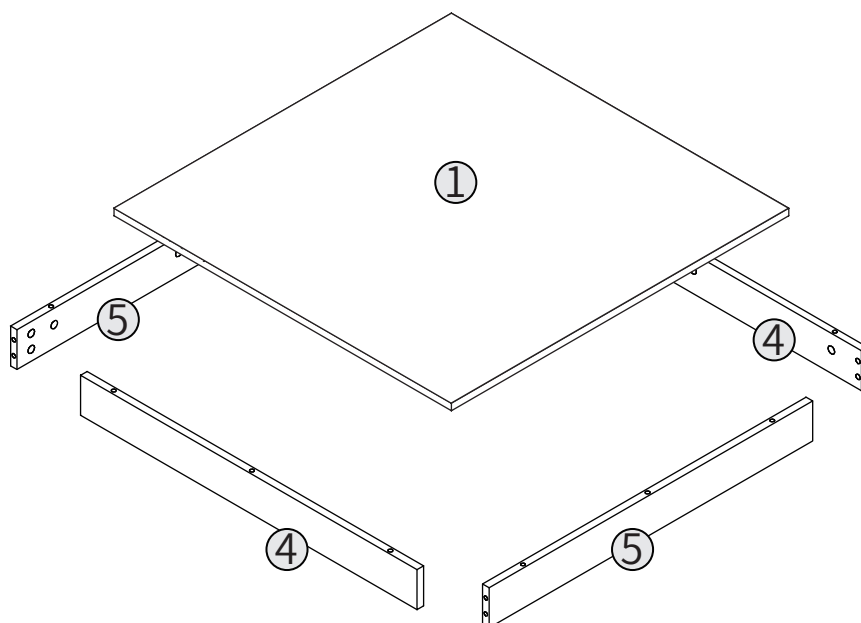
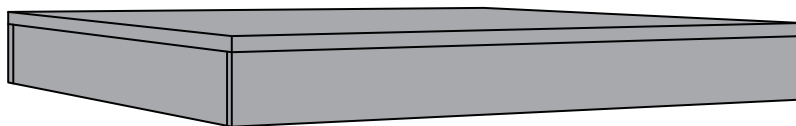
<b>A</b>  75 PCS	<b>B</b>  75 PCS	<b>C</b>  6 PCS	<b>D</b>  8 PCS
<b>E</b>  4 PCS	<b>F</b>  16 PCS	<b>G</b>  2 PCS	<b>H</b>  8 PCS
<b>I</b>   1 SET			<b>J</b>  6 PCS

# INSTRUCTION

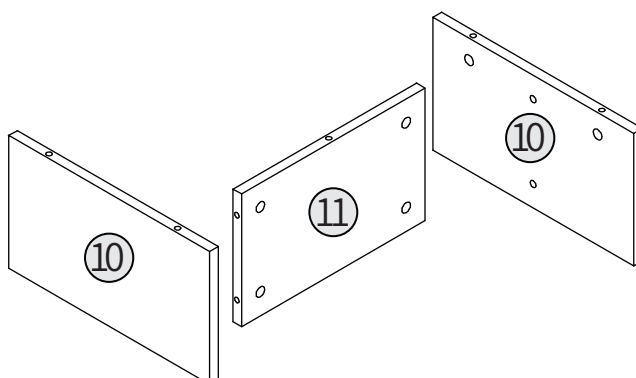
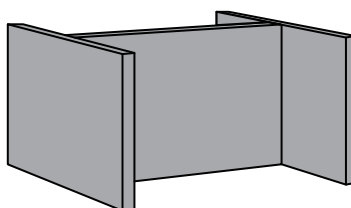
# PARTS LIST



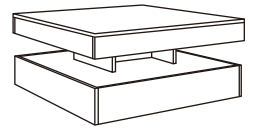
# 1



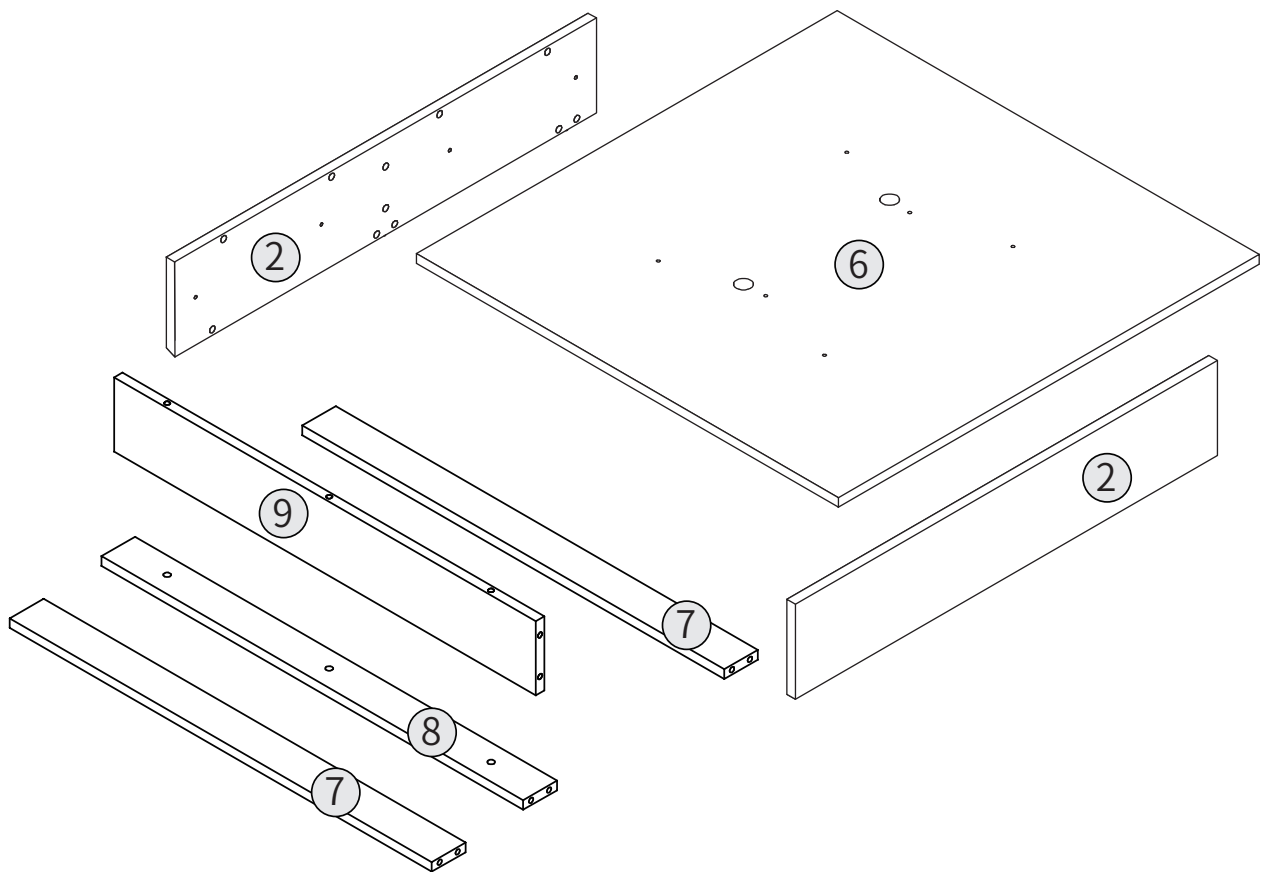
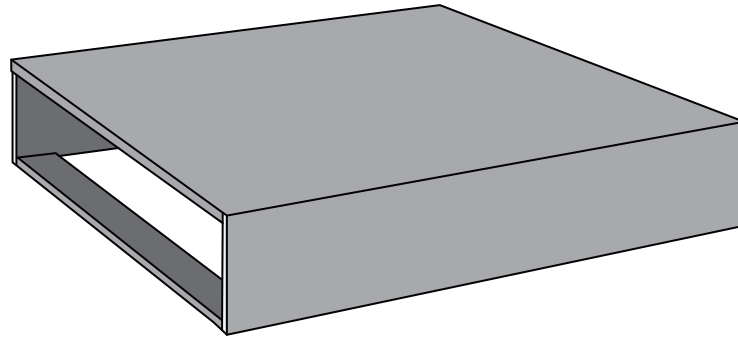
# 2



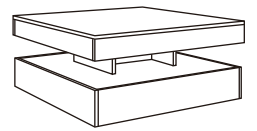
# PARTS LIST



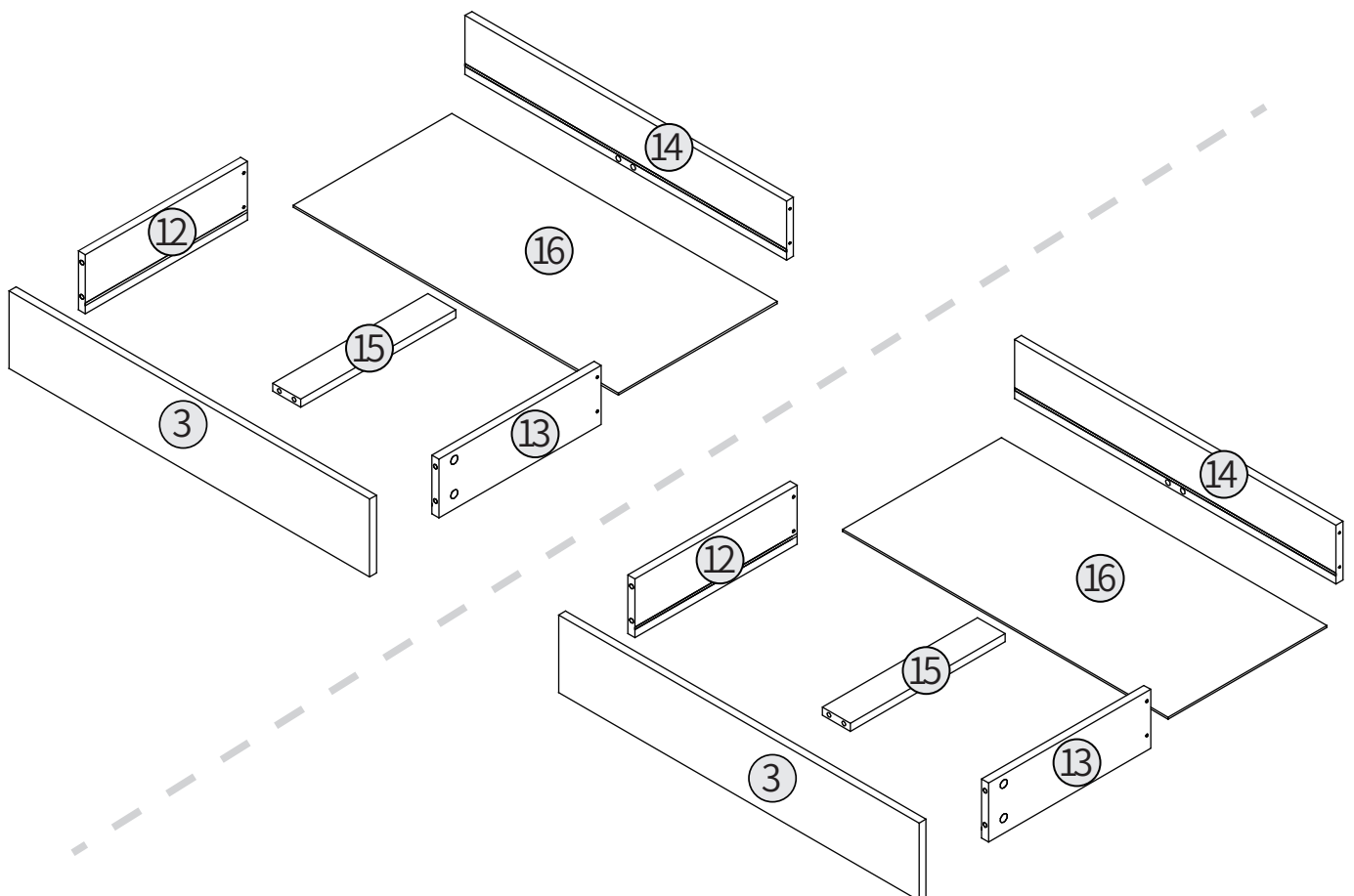
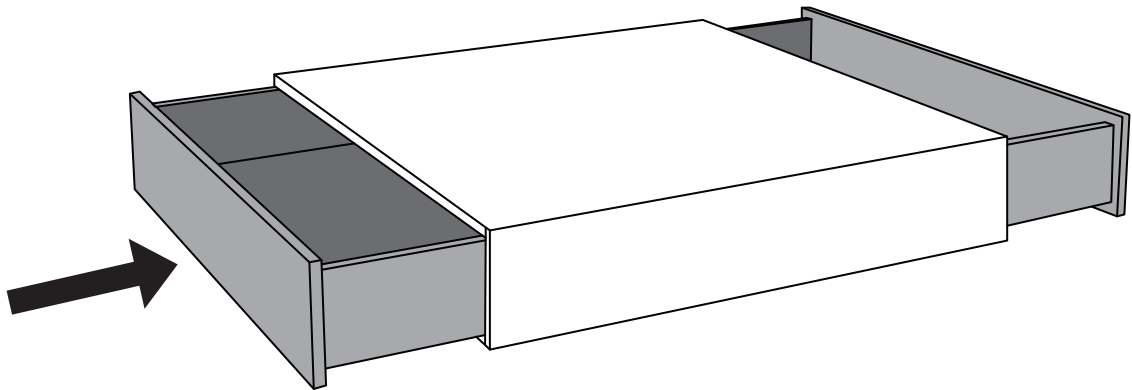
# 3



# PARTS LIST

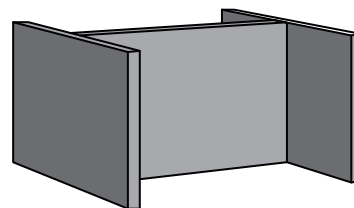
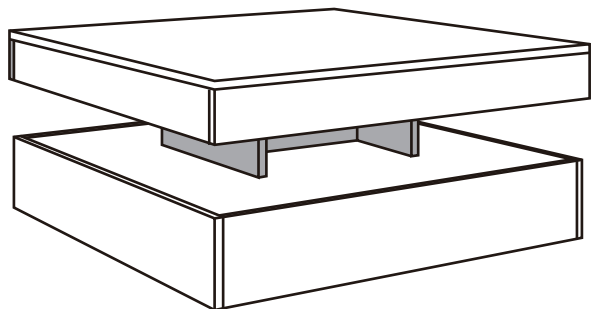
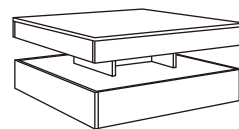


# 4



# INSTRUCTION

## STEP 1



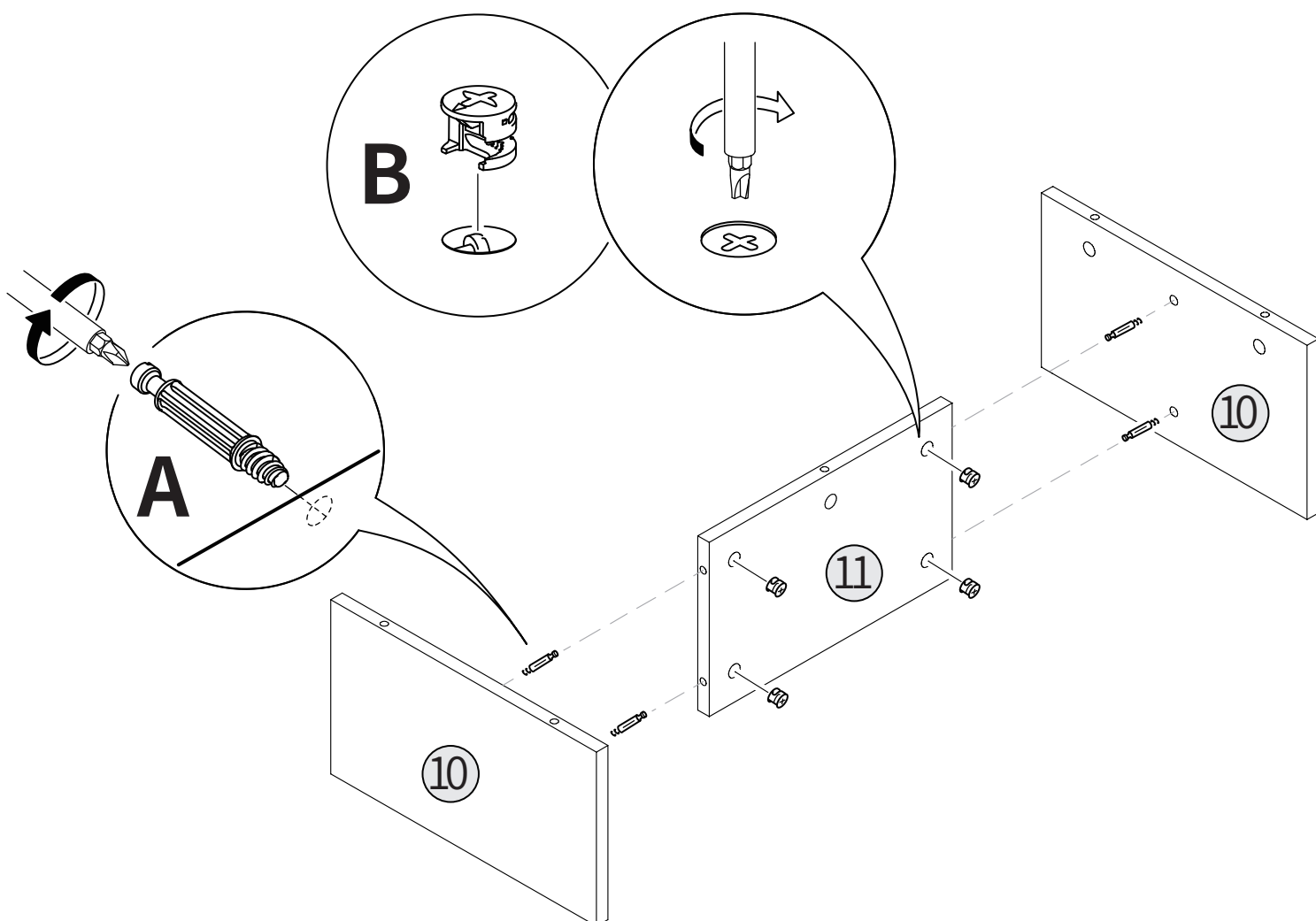
**A**

x 4



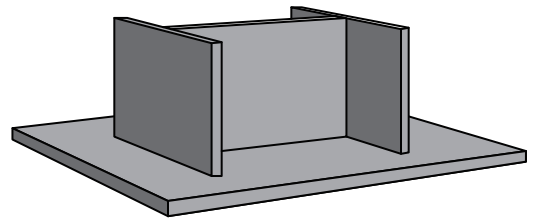
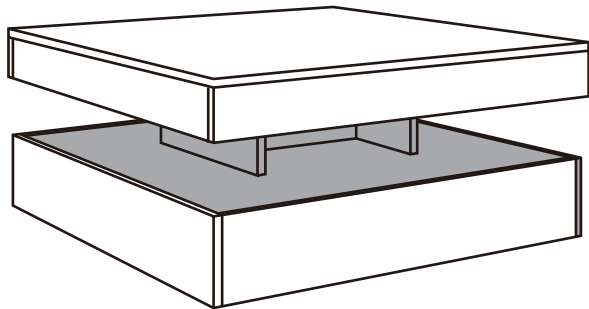
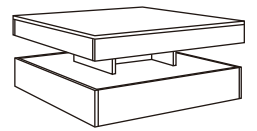
**B**

x 4



# INSTRUCTION

## STEP 2



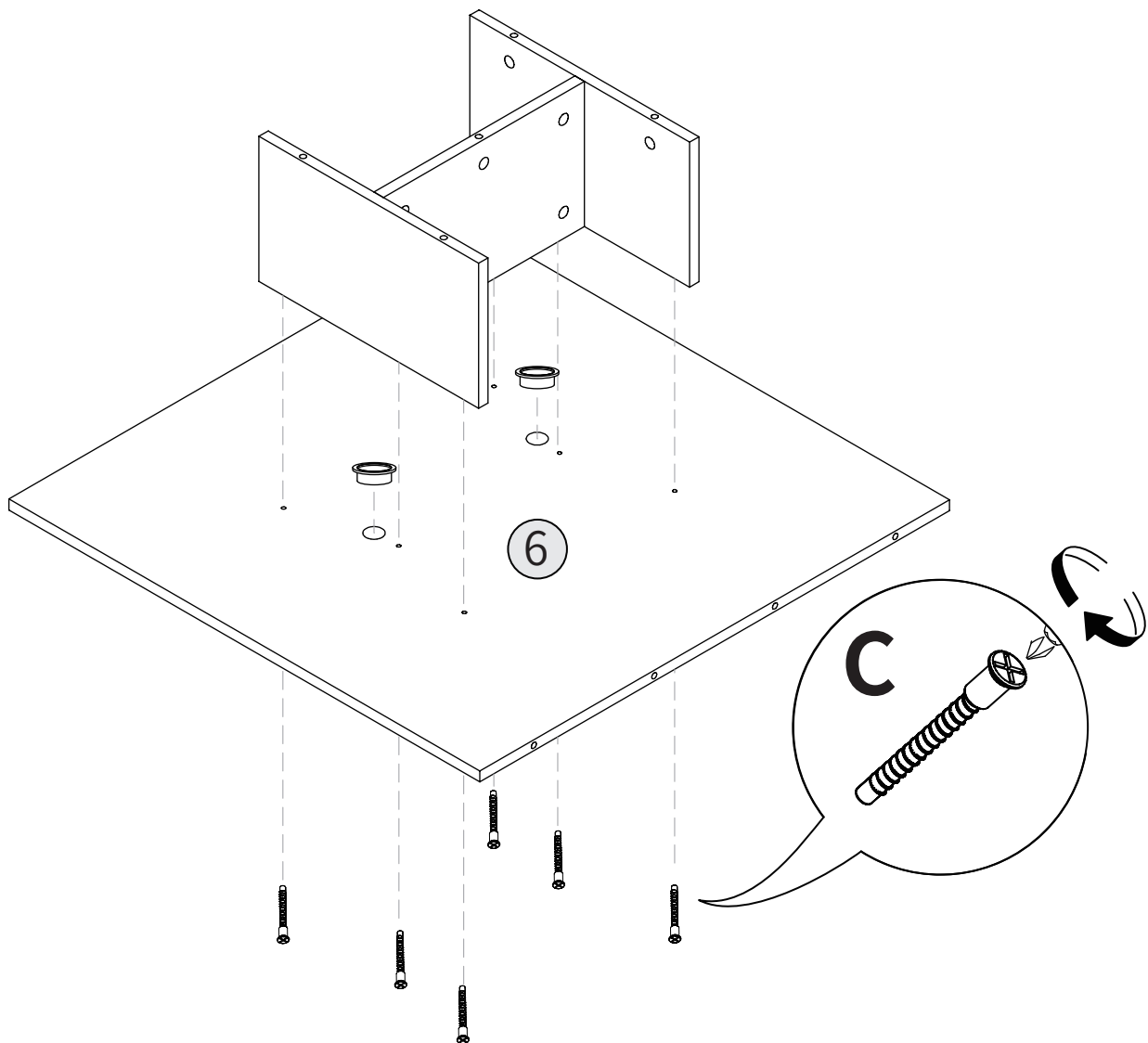
**C**

× 6

**G**



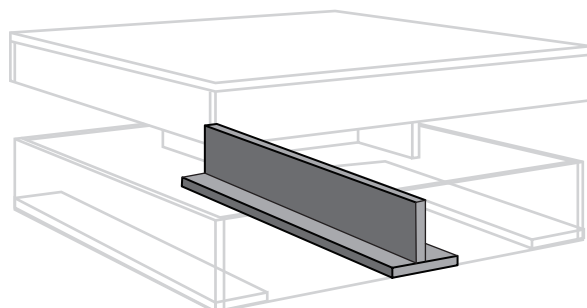
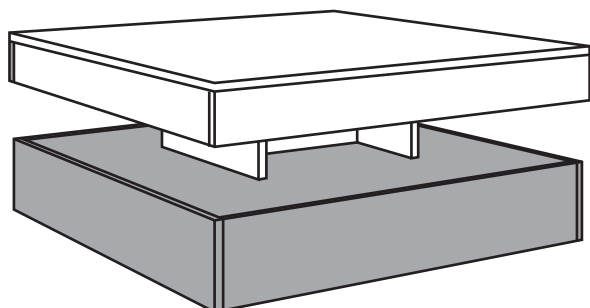
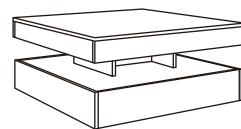
× 2



6

# INSTRUCTION

## STEP 3



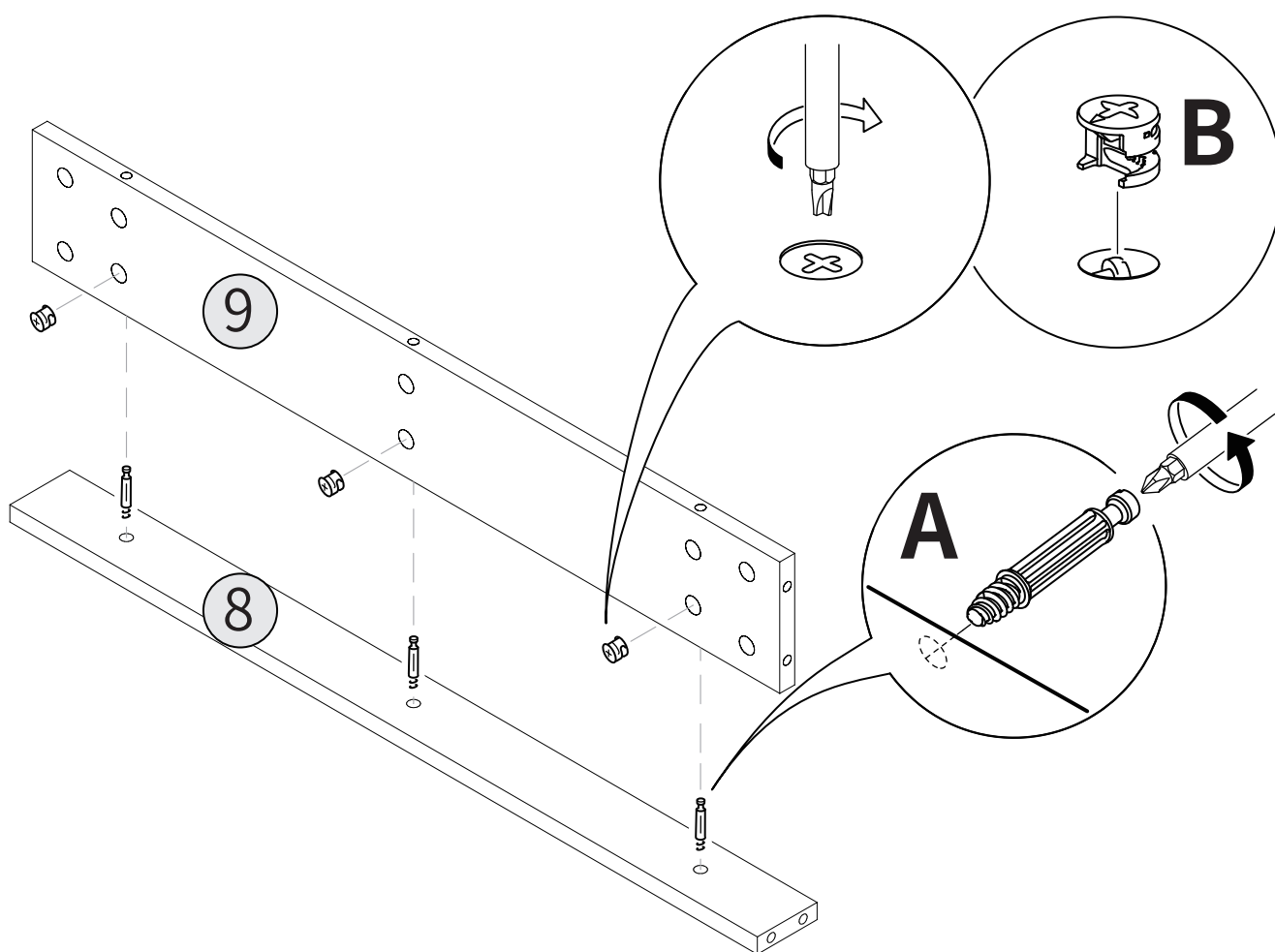
**A**

× 3

**B**

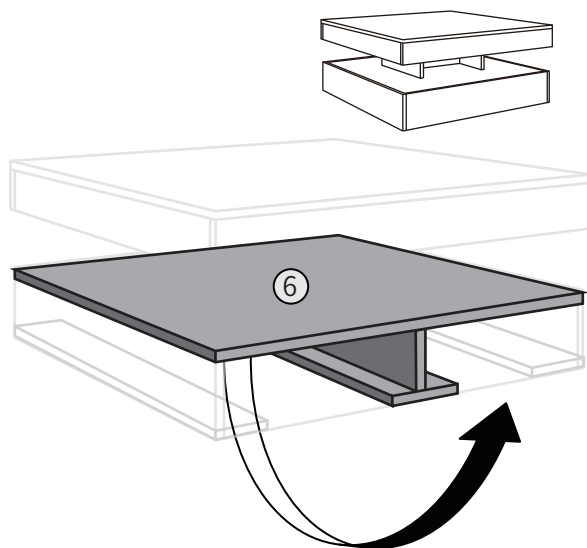
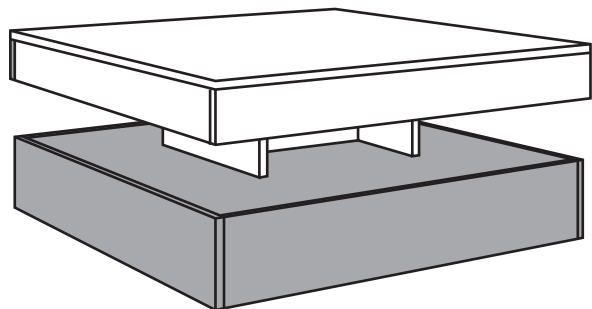


× 3



INSTRUCTION

**STEP 4**



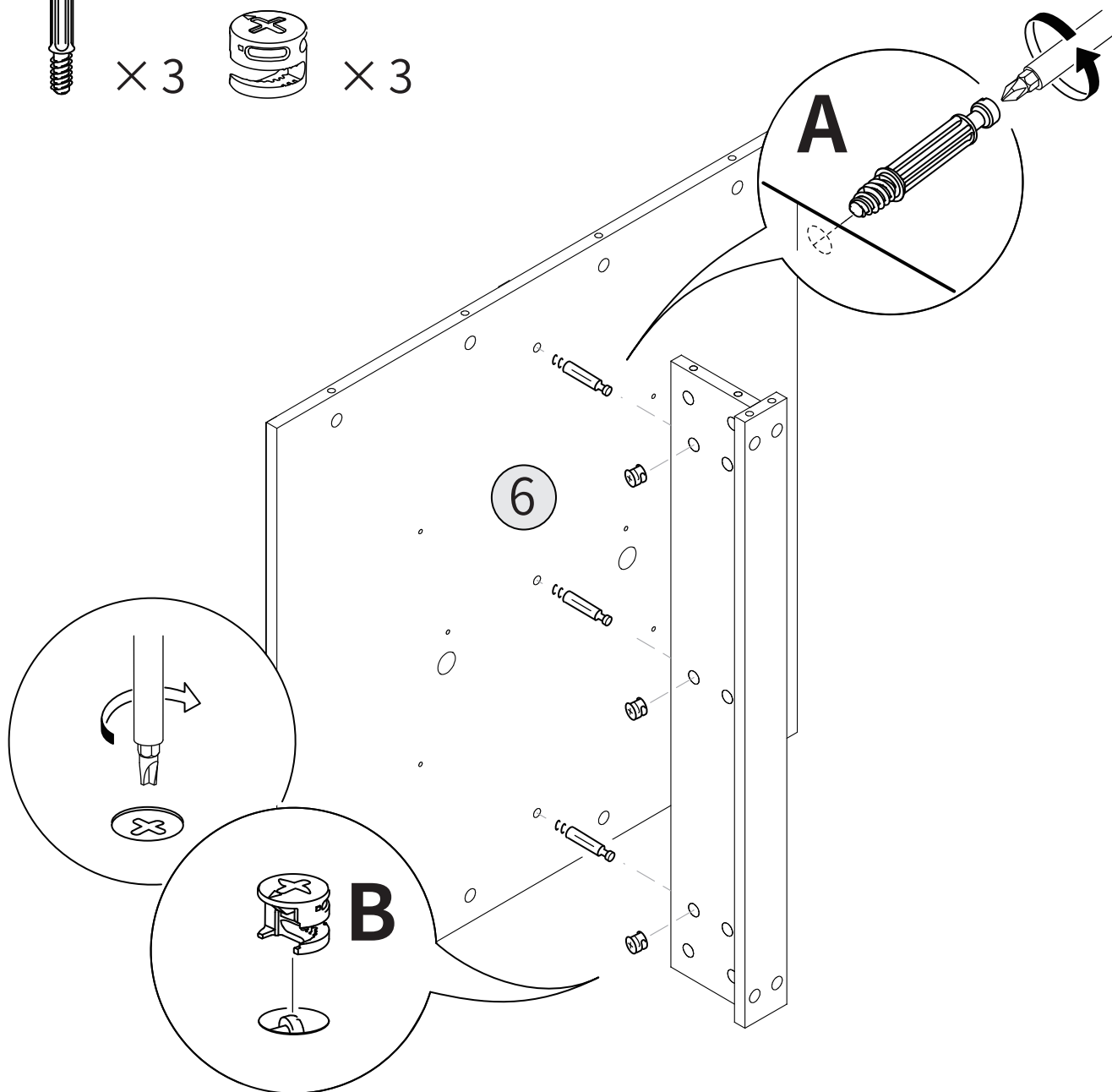
**A**

× 3



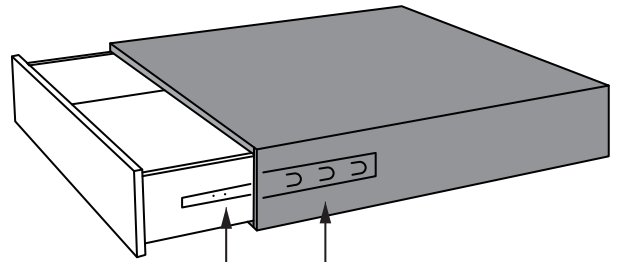
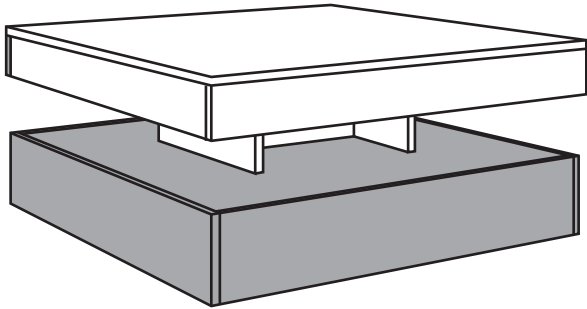
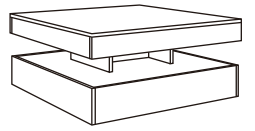
**B**

× 3

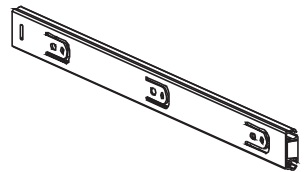


INSTRUCTION

**STEP 5**

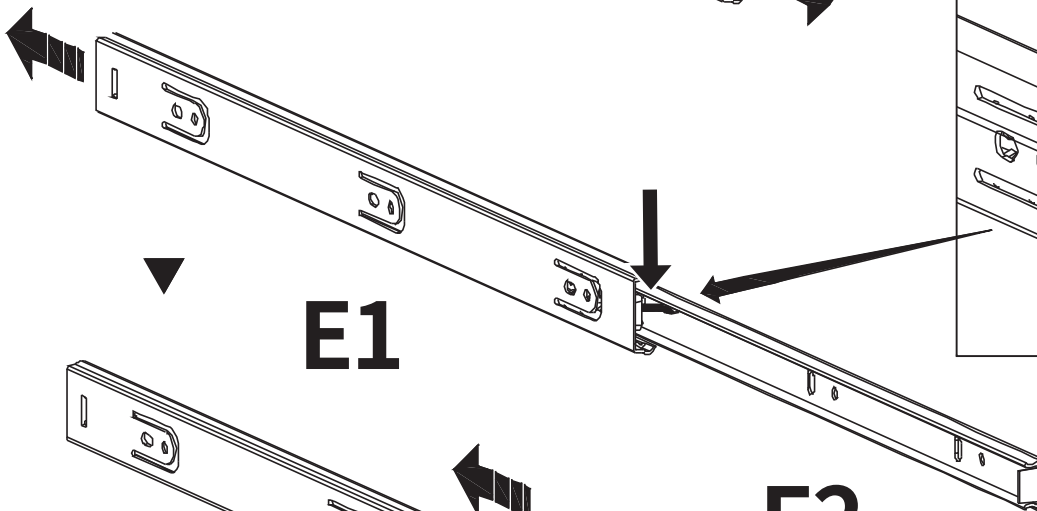
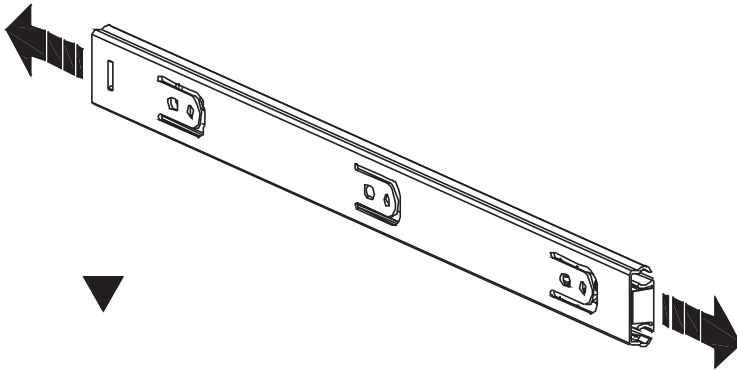


E2 E1

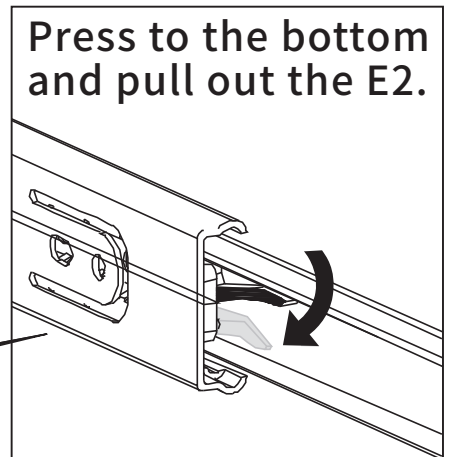


**E**

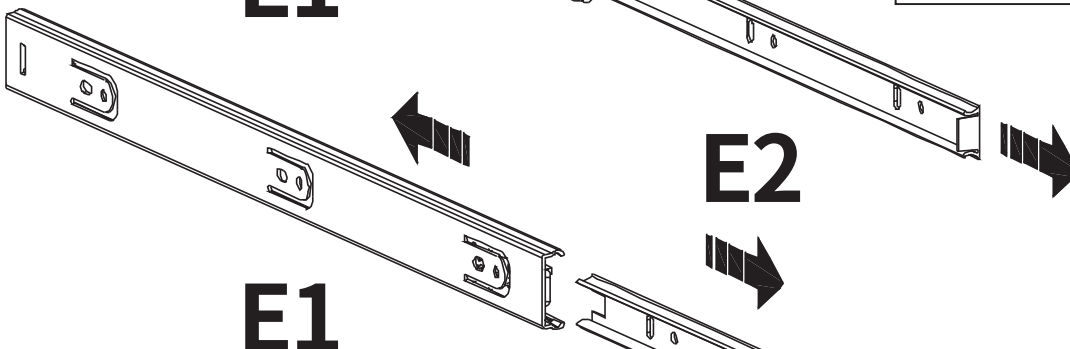
× 4



**E1**

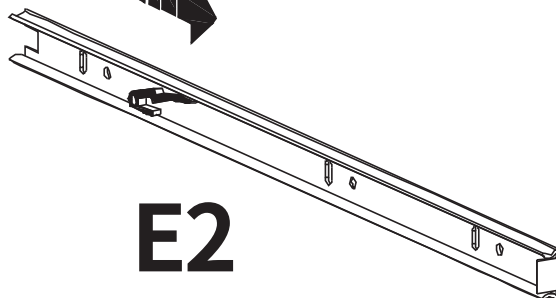


Press to the bottom and pull out the E2.



**E1**

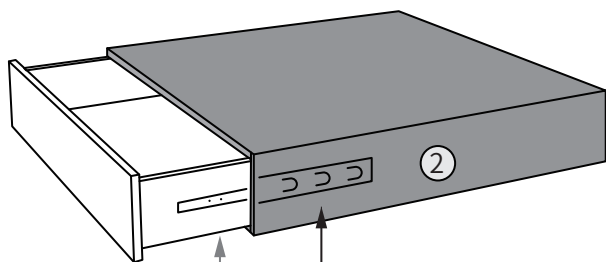
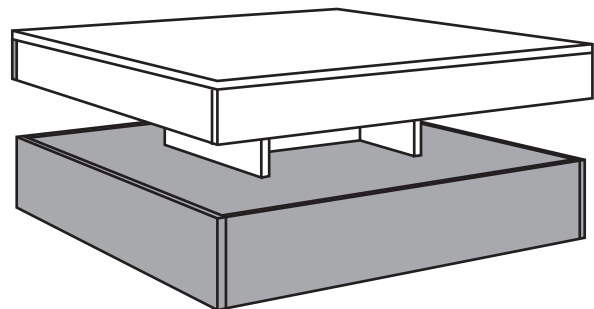
**E2**



**E2**

# INSTRUCTION

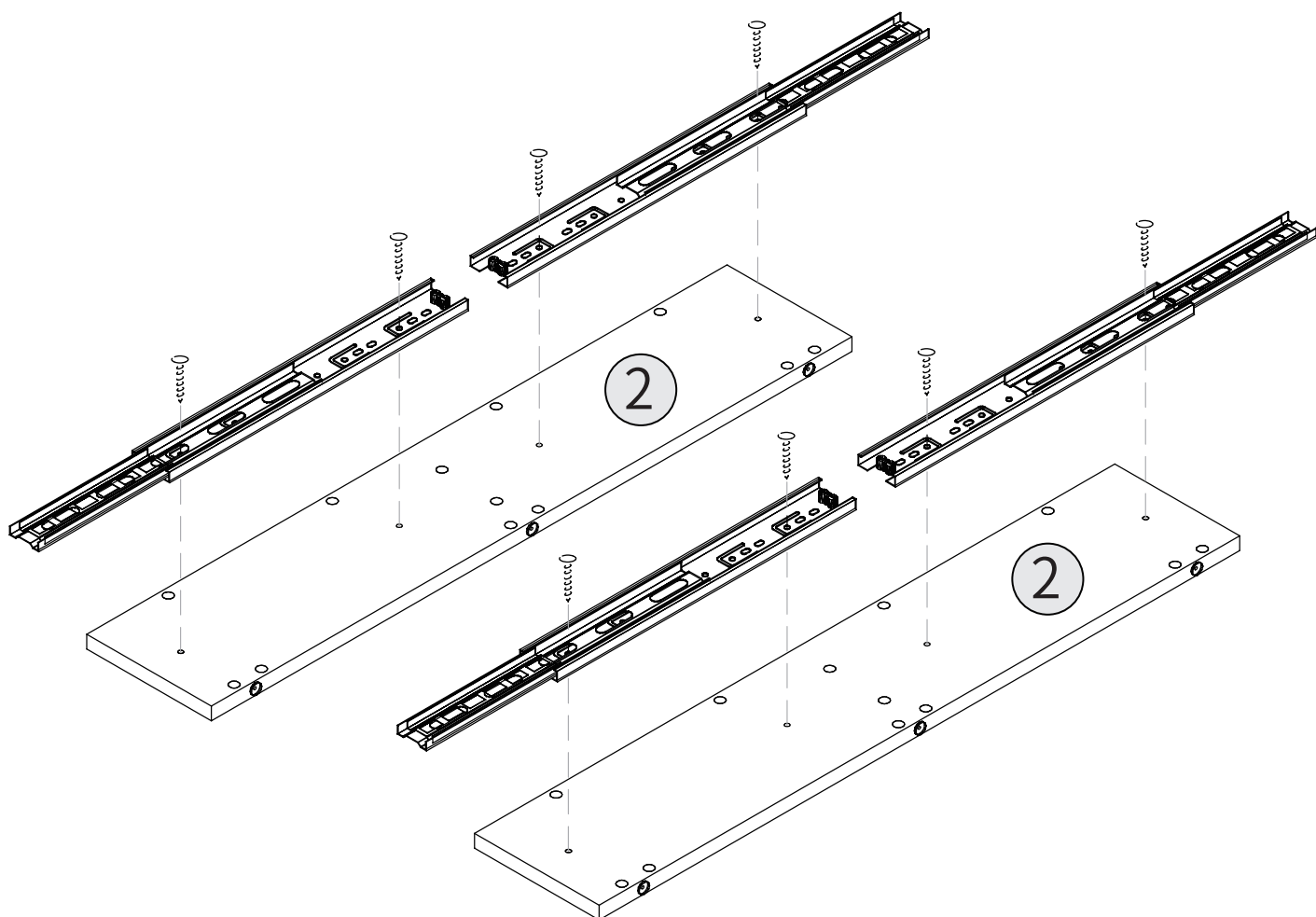
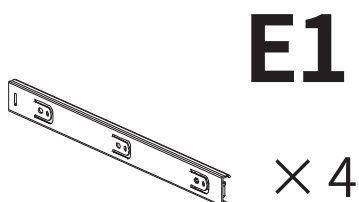
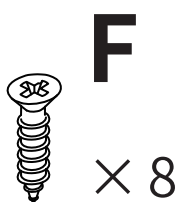
## STEP 6



E2

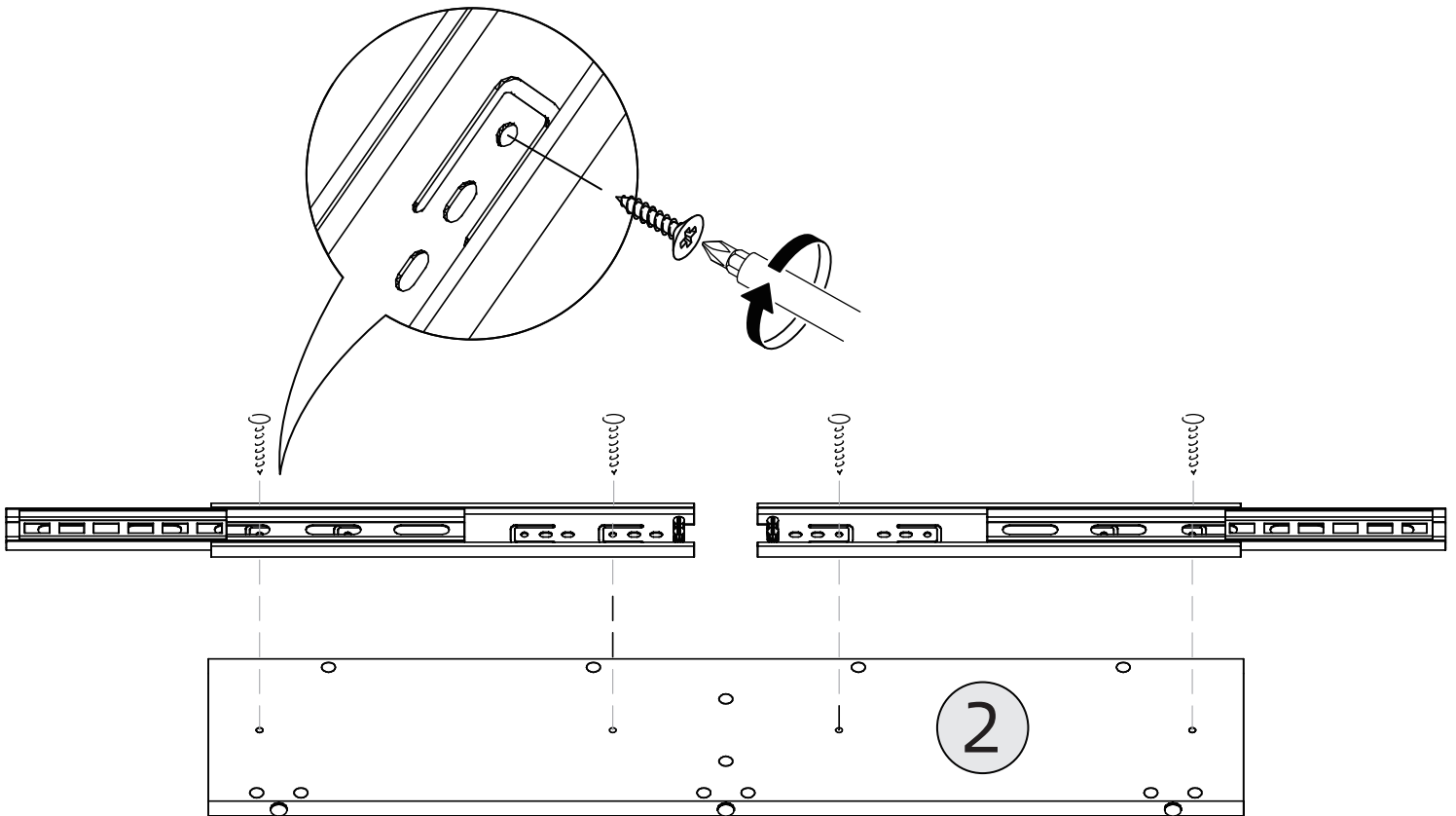
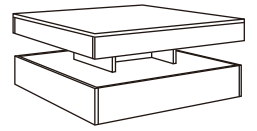
E1

X2



INSTRUCTION

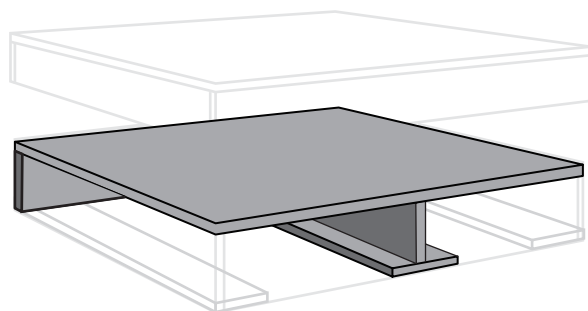
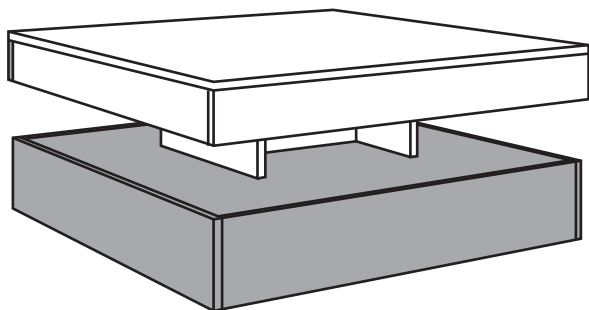
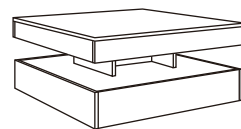
# STEP 6 - Installation detail



The screws should be screwed into the small round holes.

# INSTRUCTION

## STEP 7



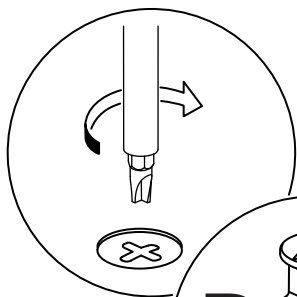
**A**

× 8

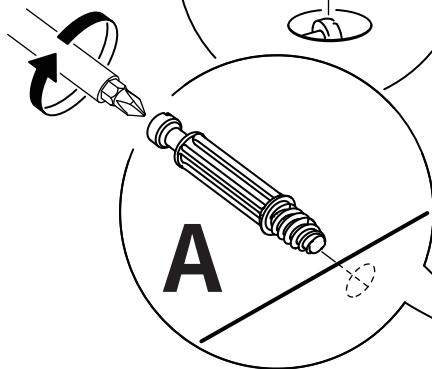
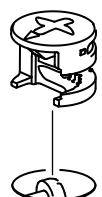
**B**



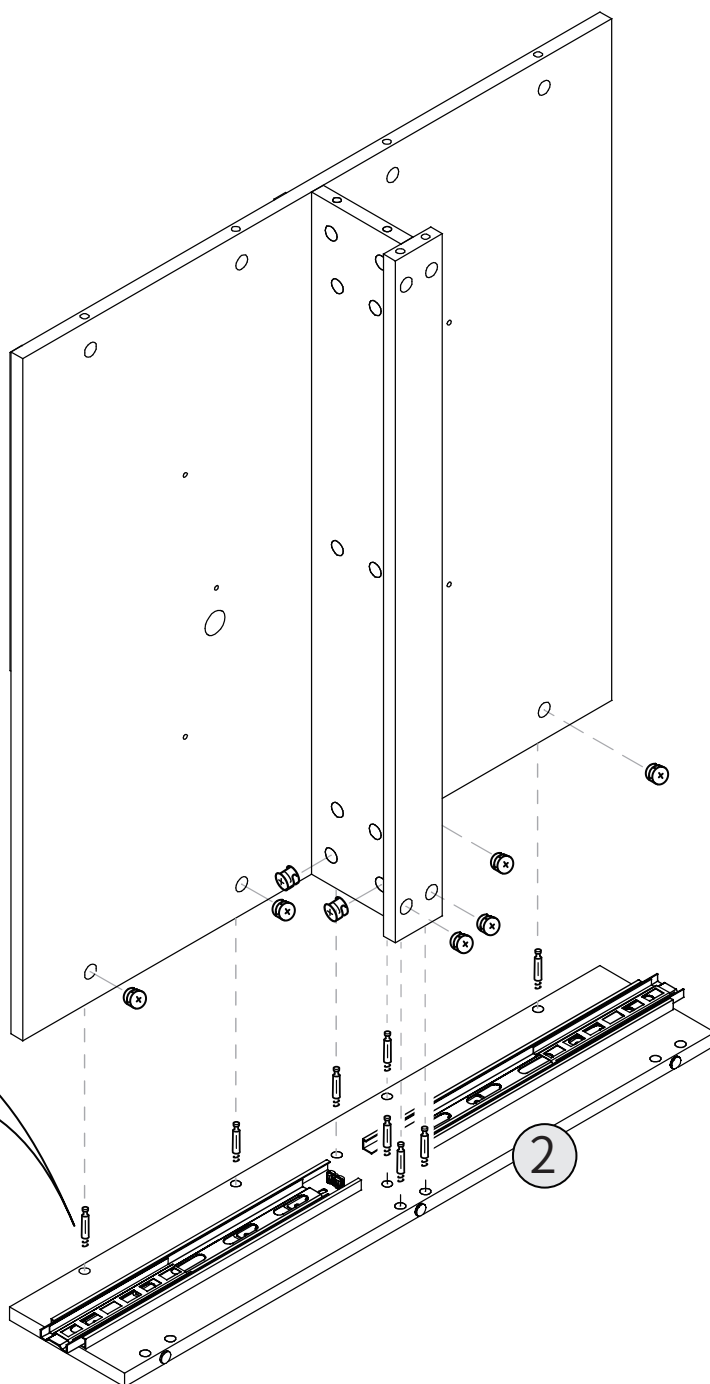
× 8



**B**

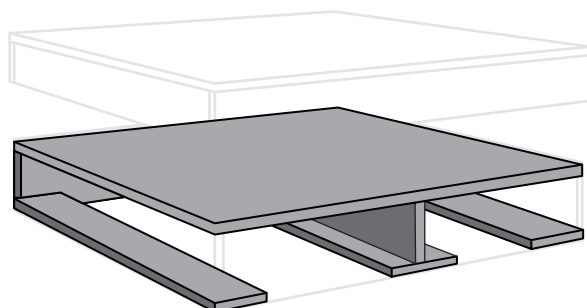
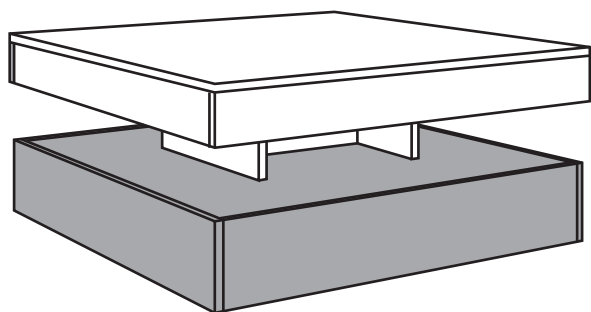
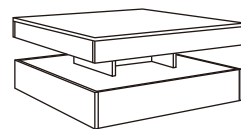


**A**



# INSTRUCTION

## STEP 8



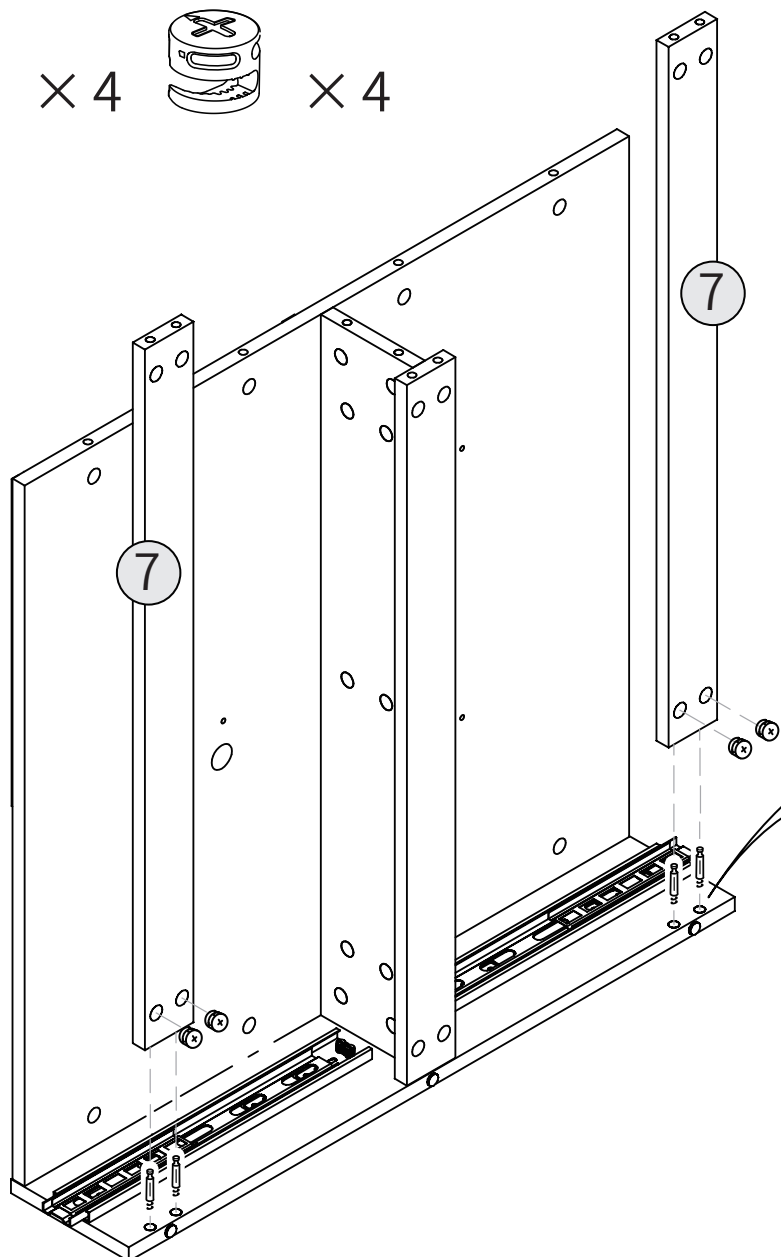
**A**

× 4



**B**

× 4

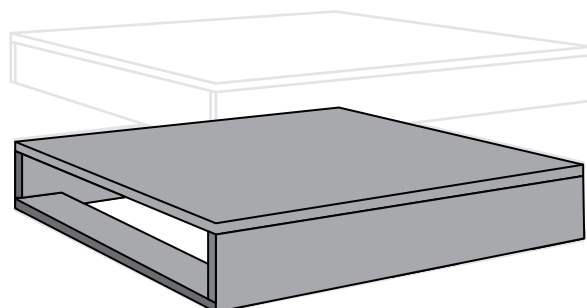
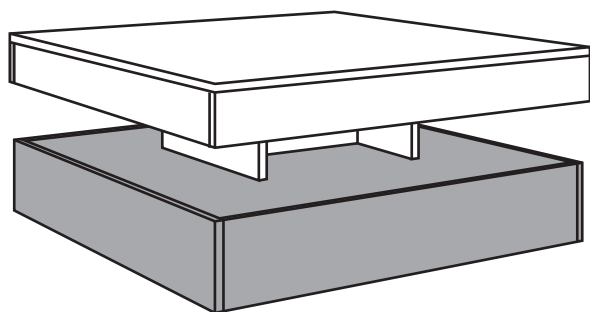
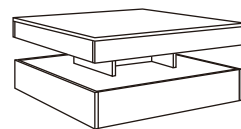


**B**

**A**

# INSTRUCTION

## STEP 9



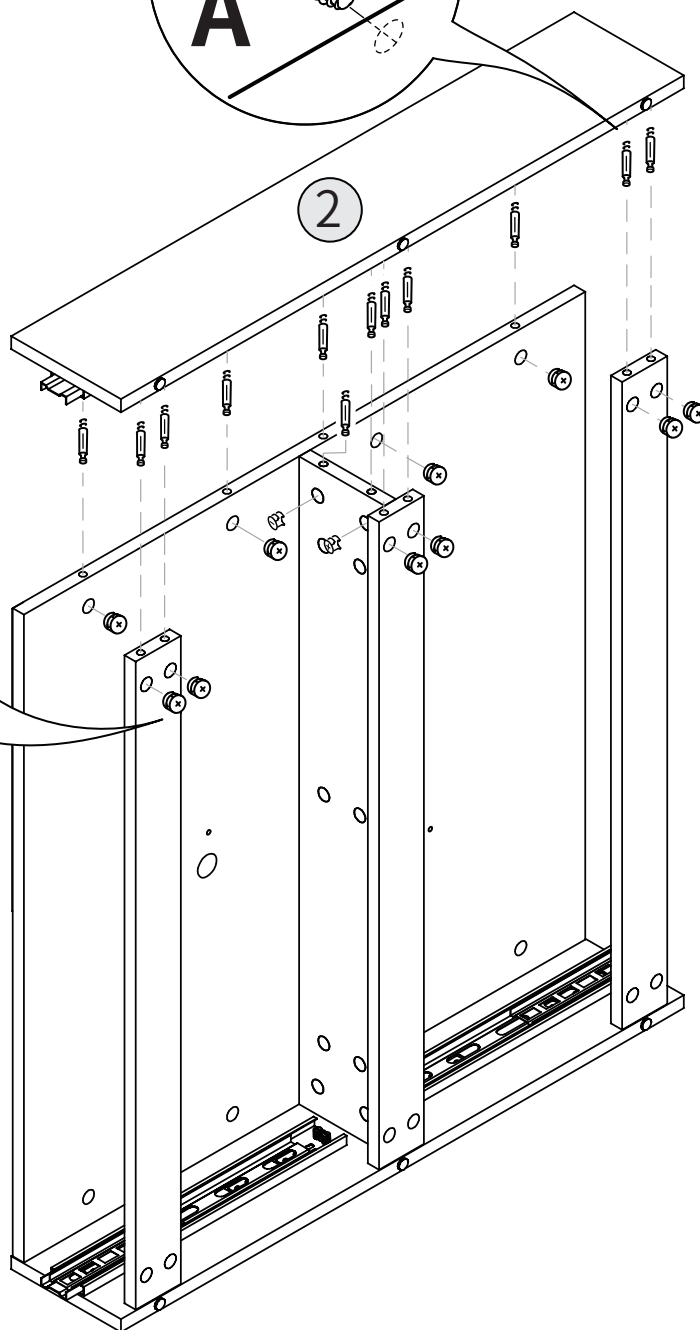
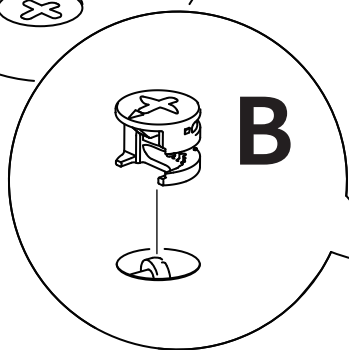
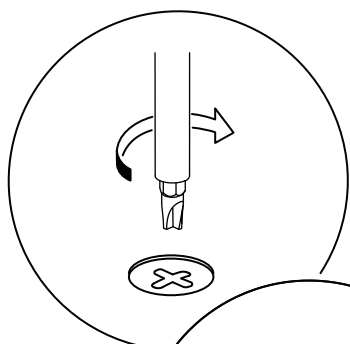
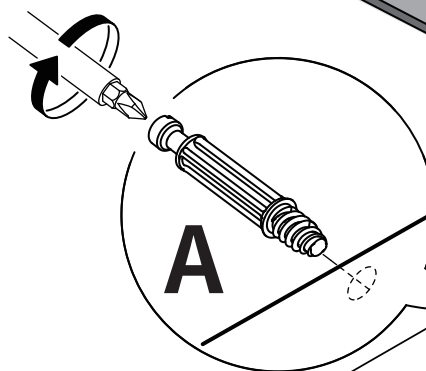
**A**

× 12



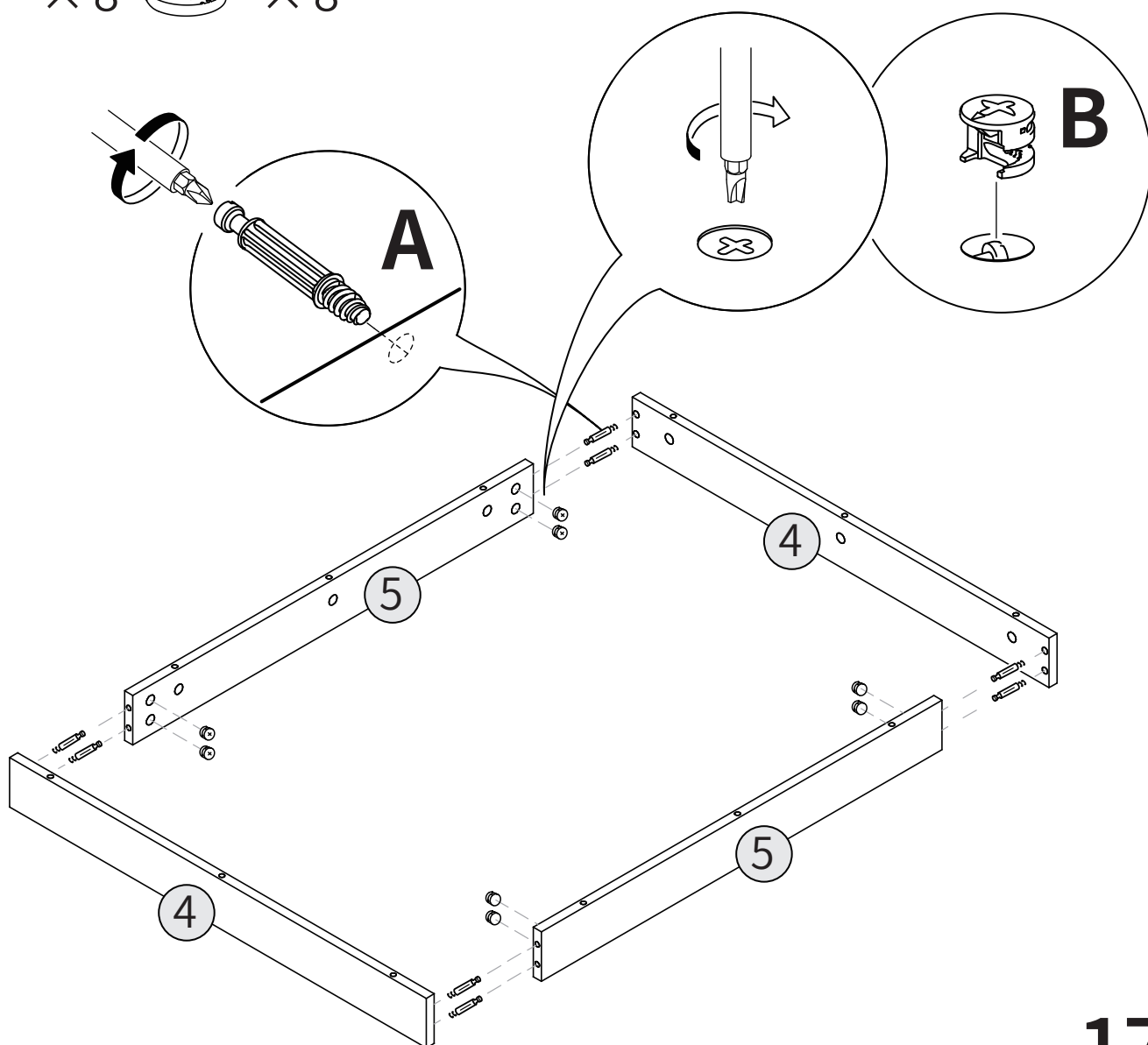
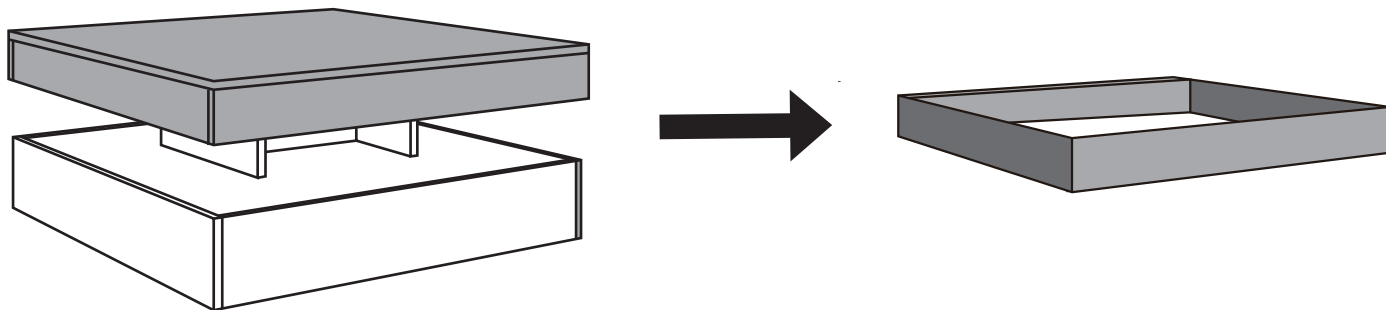
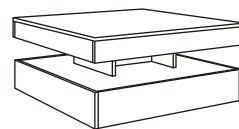
**B**

× 12



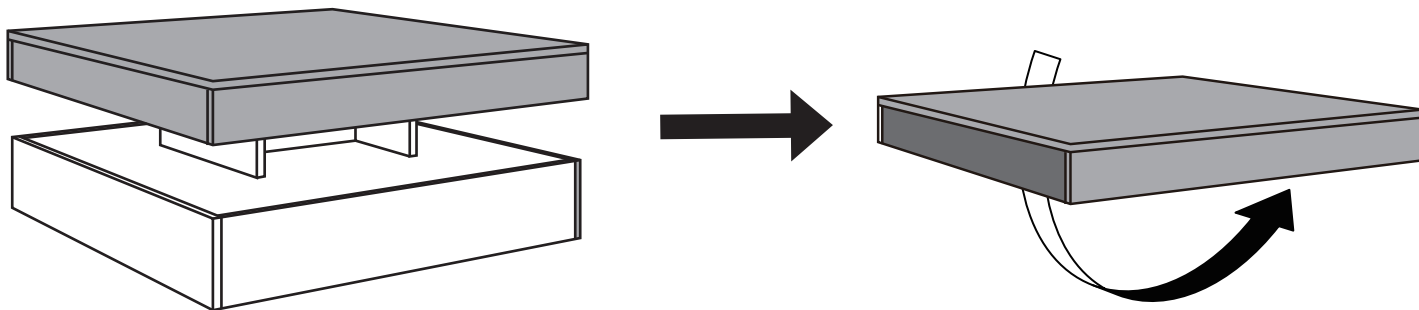
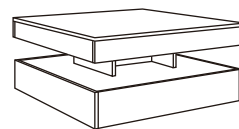
# INSTRUCTION

## STEP 10



# INSTRUCTION

## STEP 11



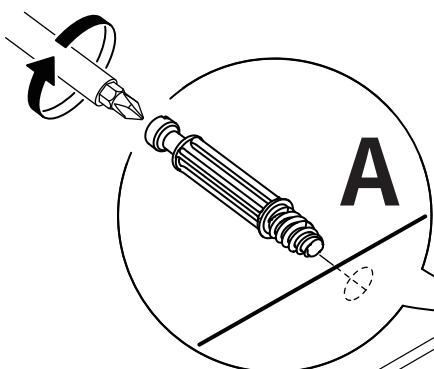
**A**

× 17

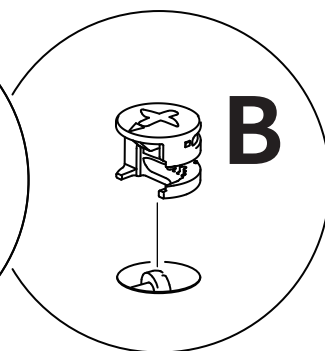
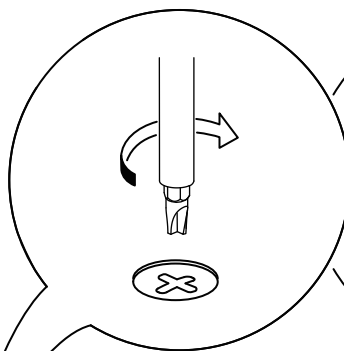


**B**

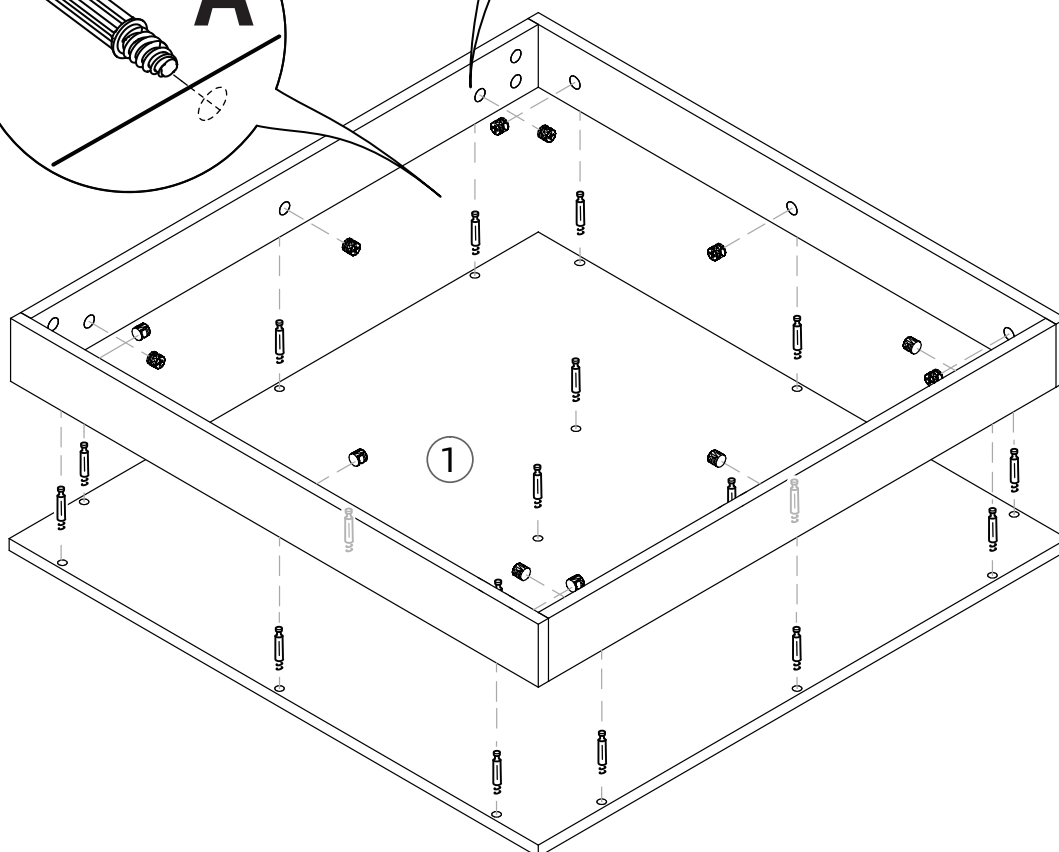
× 12



**A**

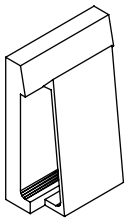
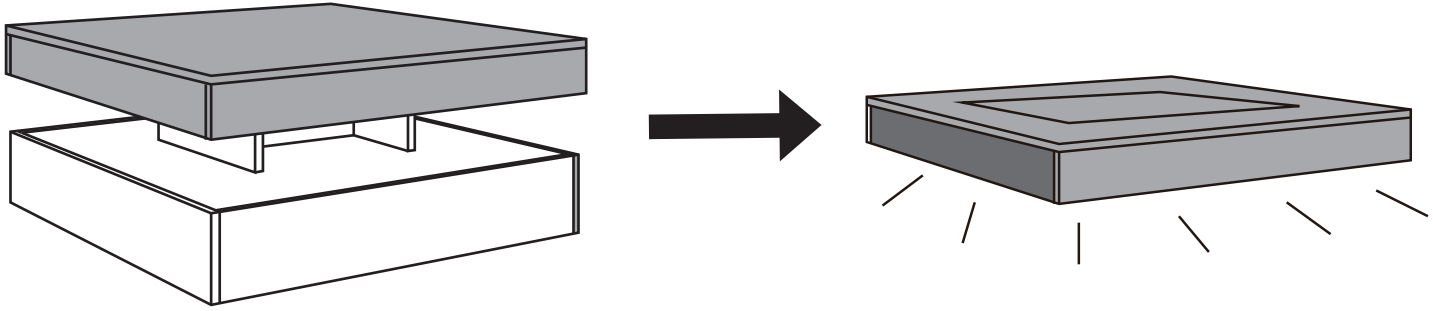
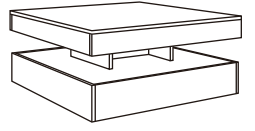


**B**



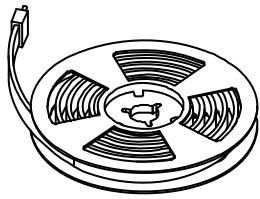
# INSTRUCTION

## STEP 12



**H**

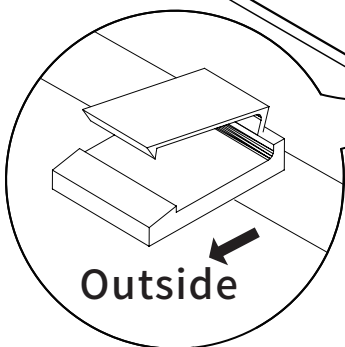
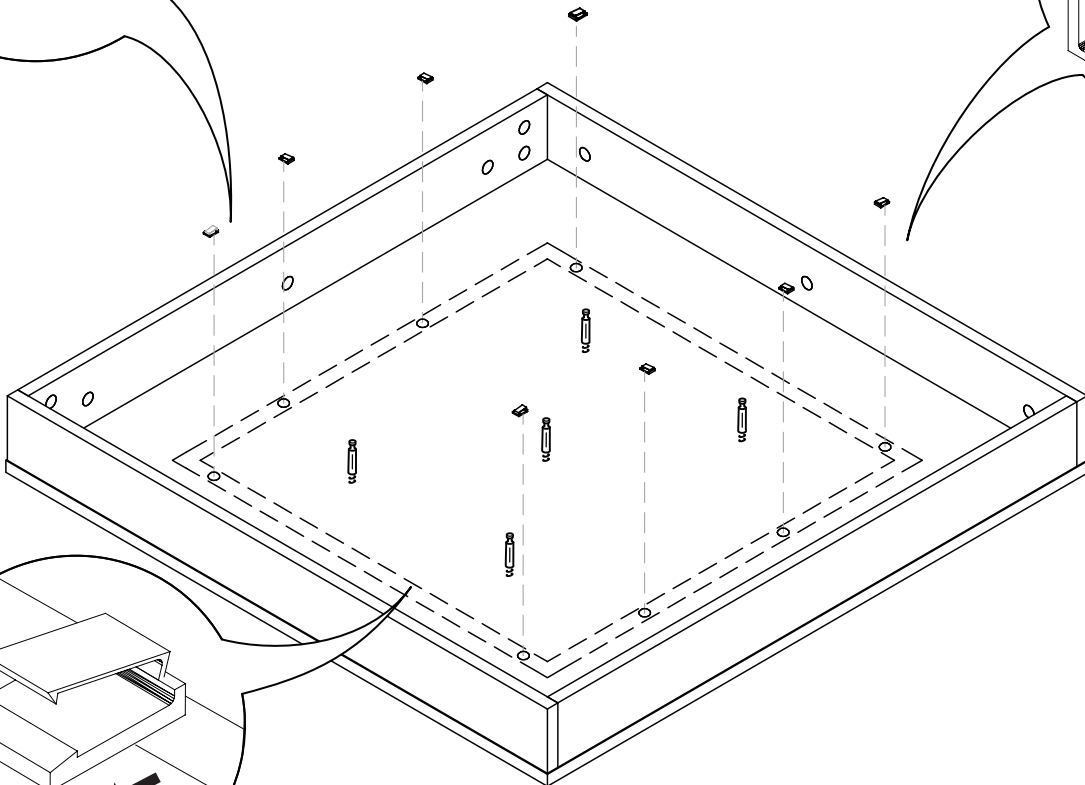
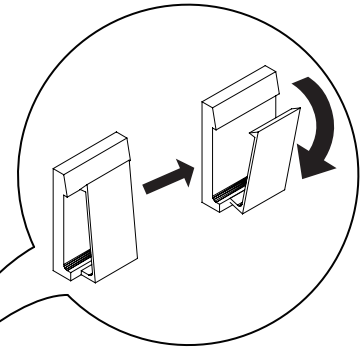
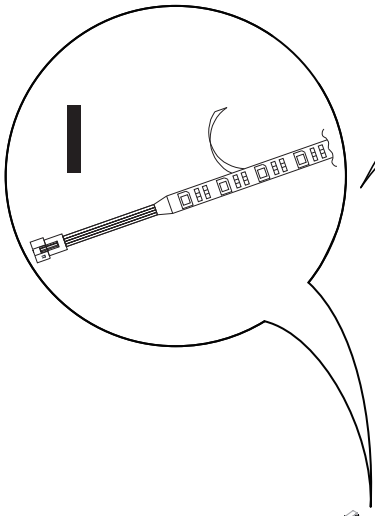
× 8



**I**

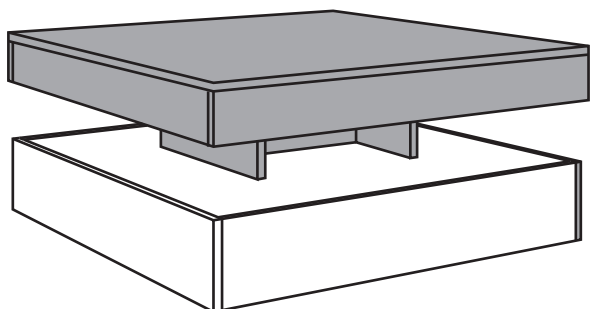
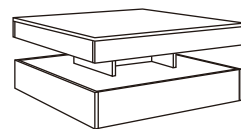
× 1

The film of LED lights belt should be torn off before use.



Outside

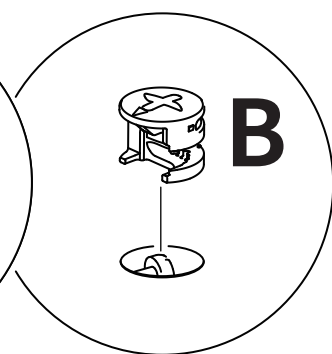
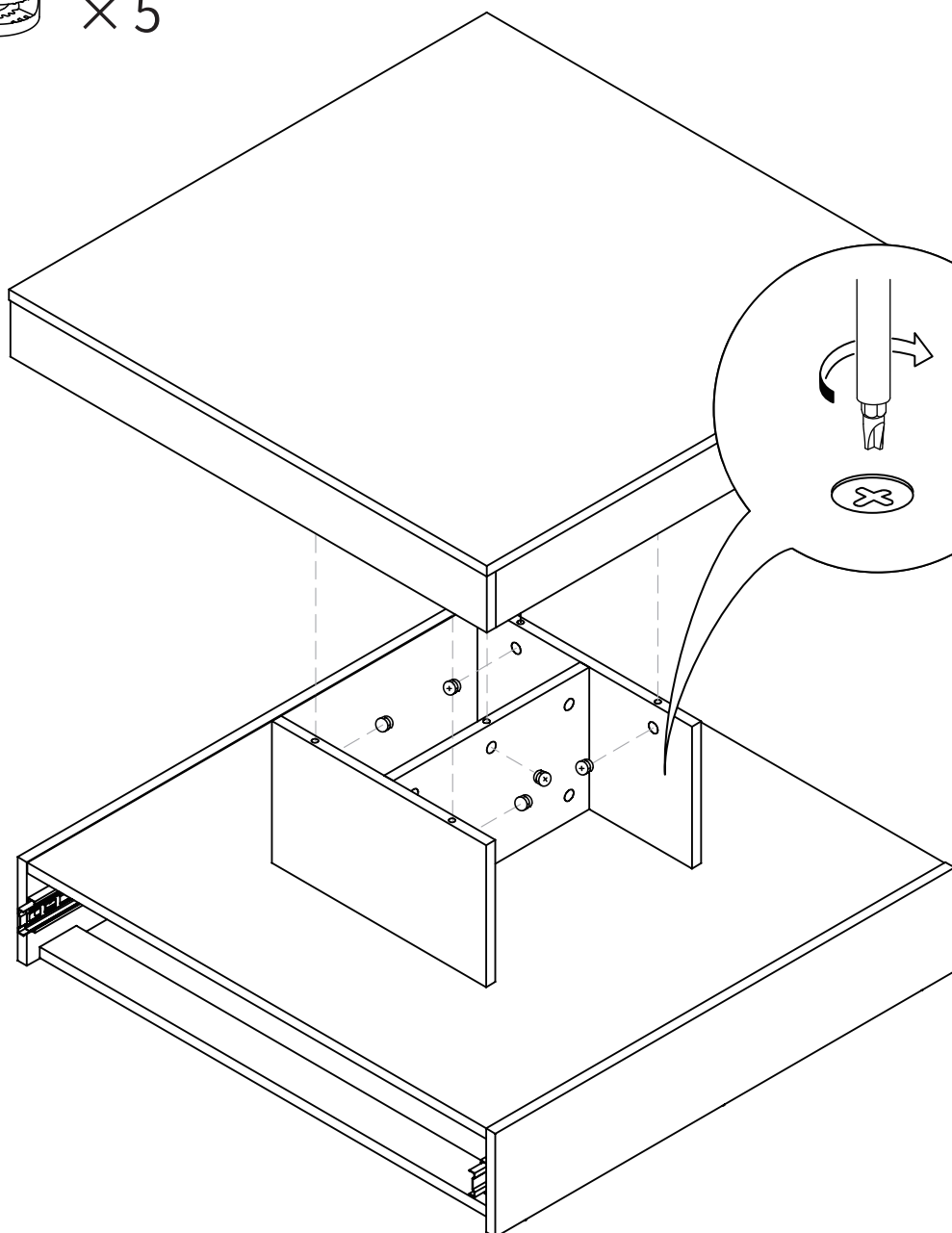
INSTRUCTION  
**STEP 13**



**B**

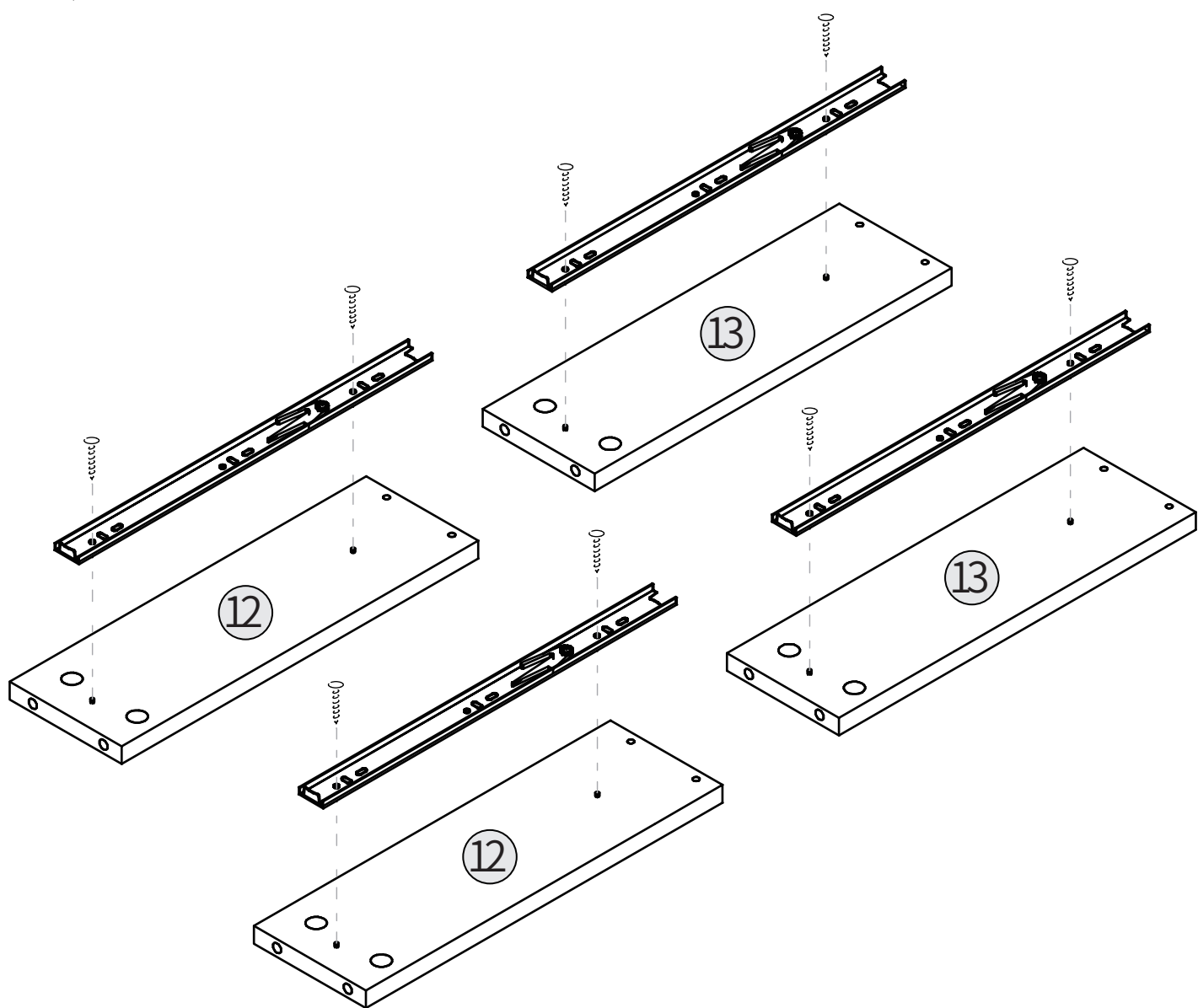
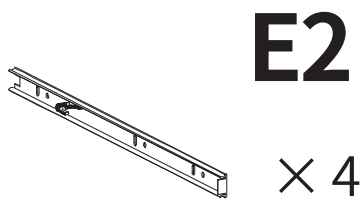
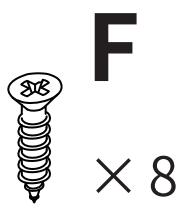
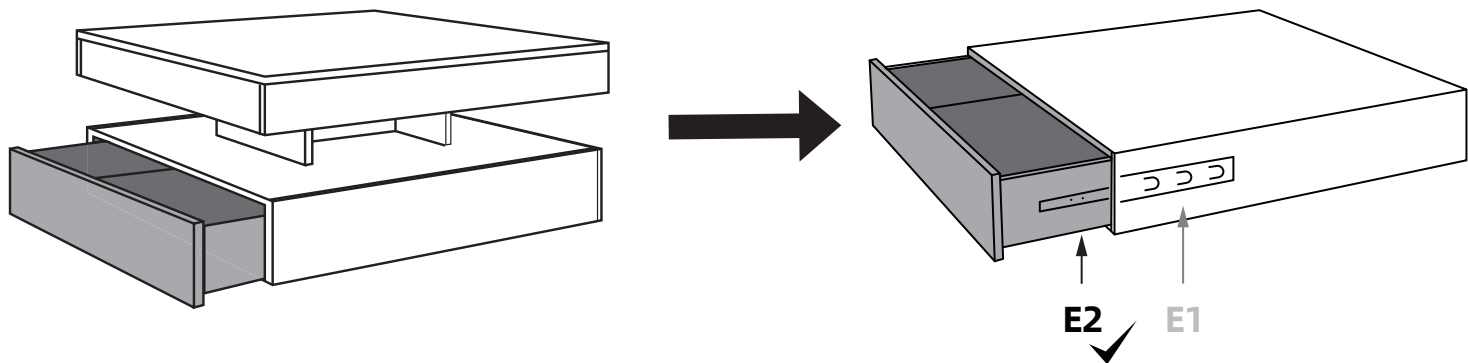


× 5



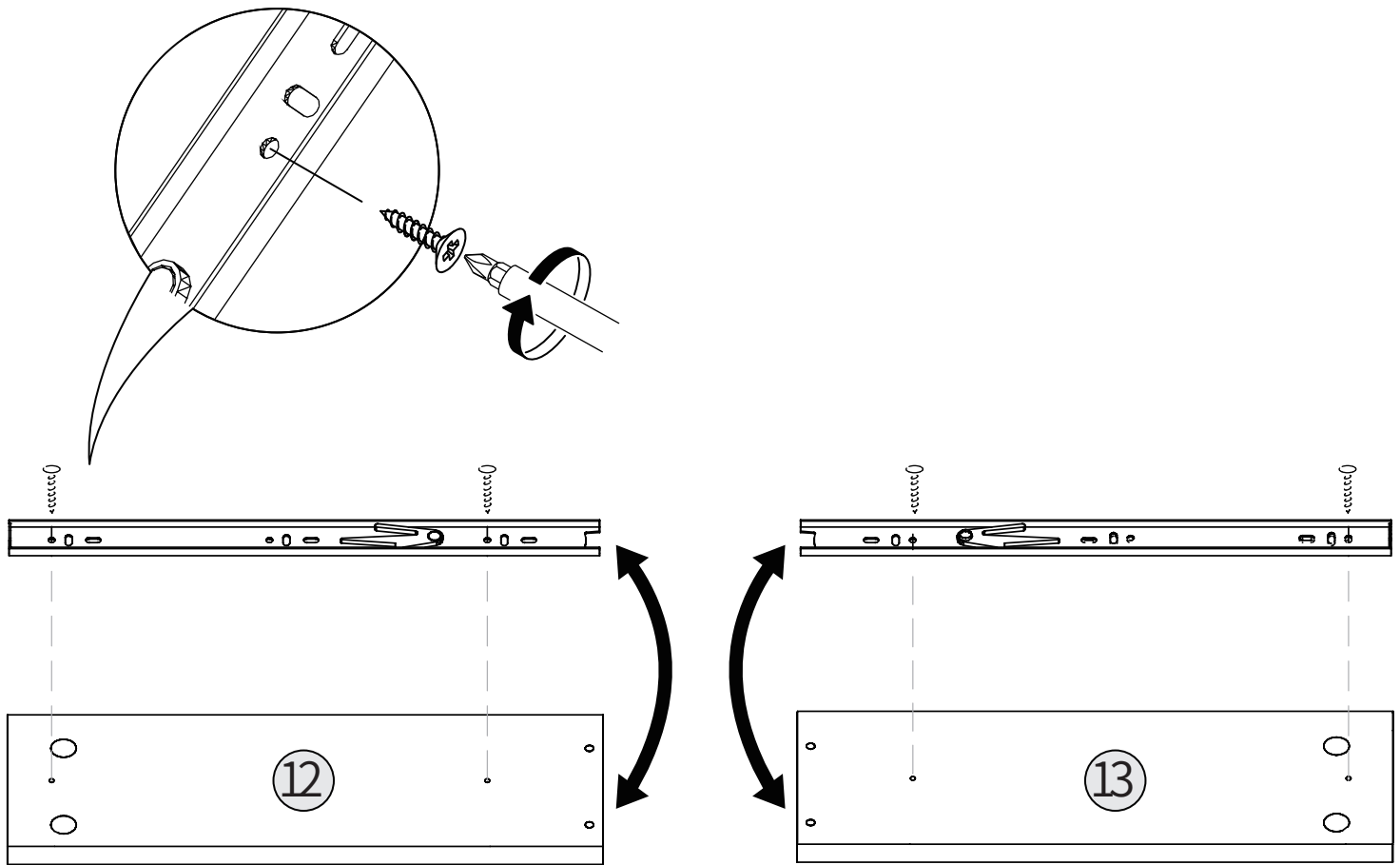
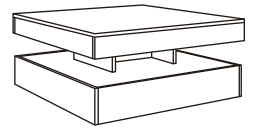
# INSTRUCTION

## STEP 14



# INSTRUCTION

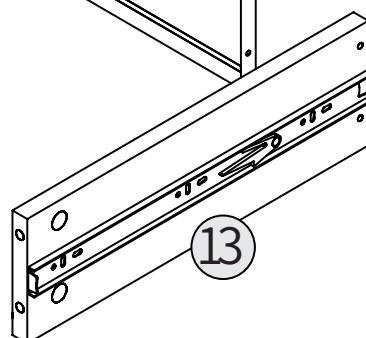
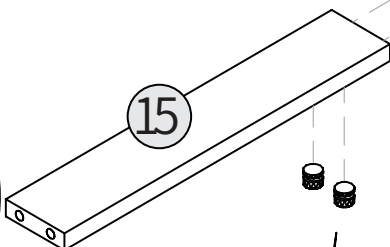
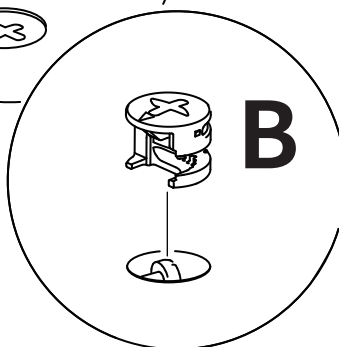
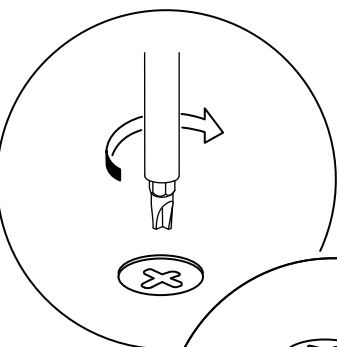
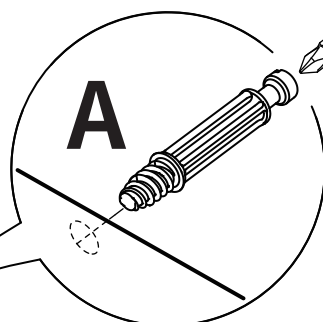
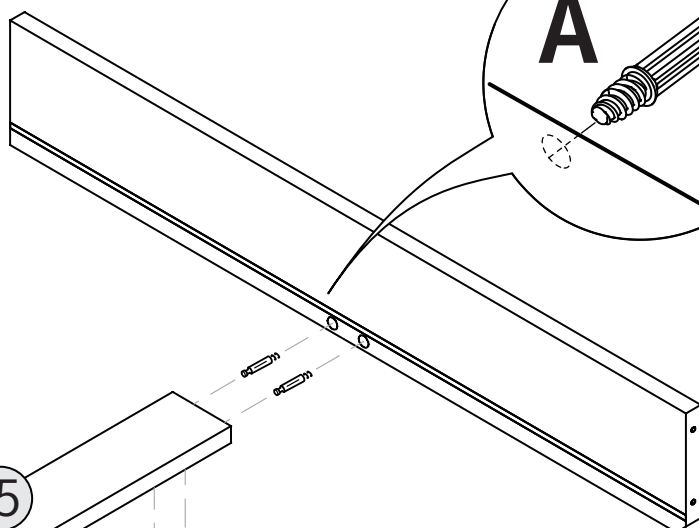
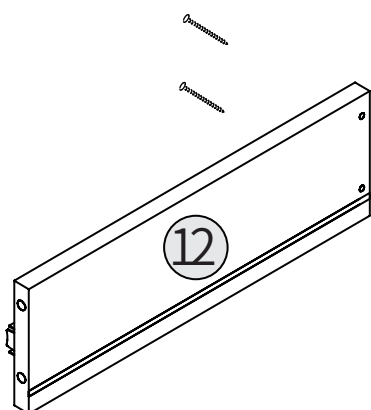
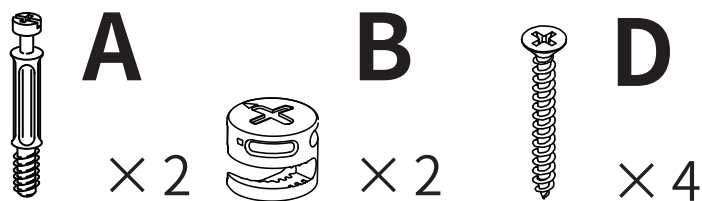
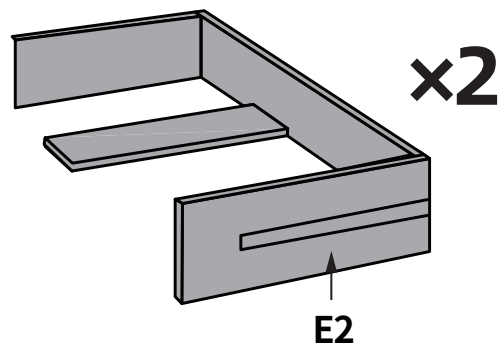
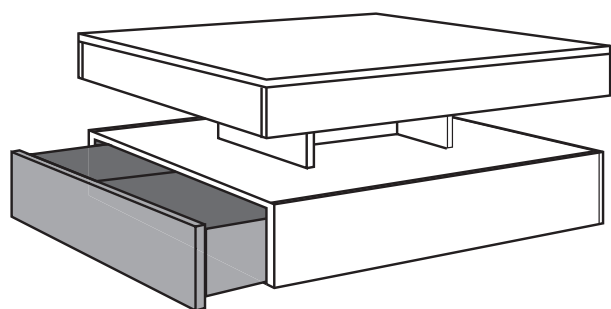
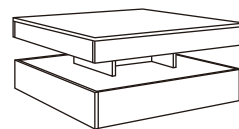
## STEP 14 - Installation detail



Please put the grooved end of E2 in line with the end of the board with two small holes.

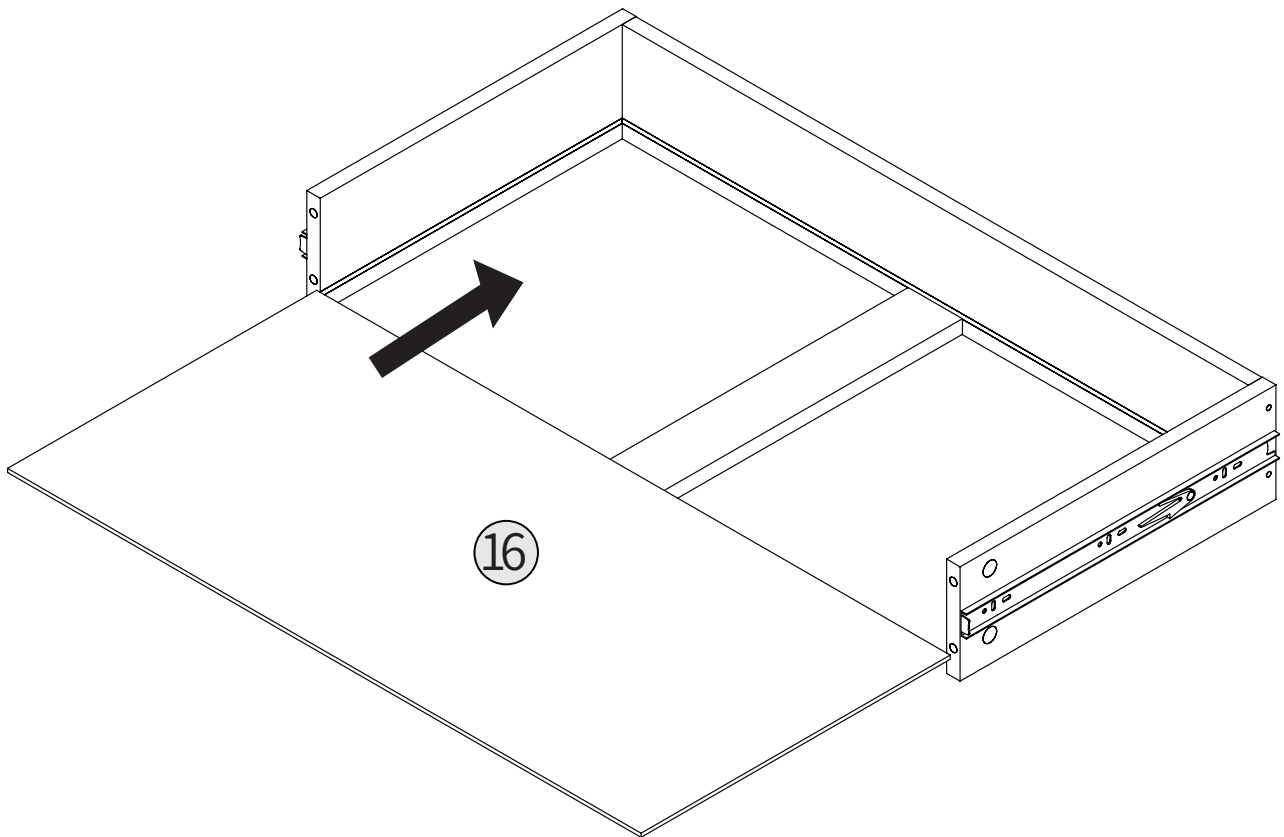
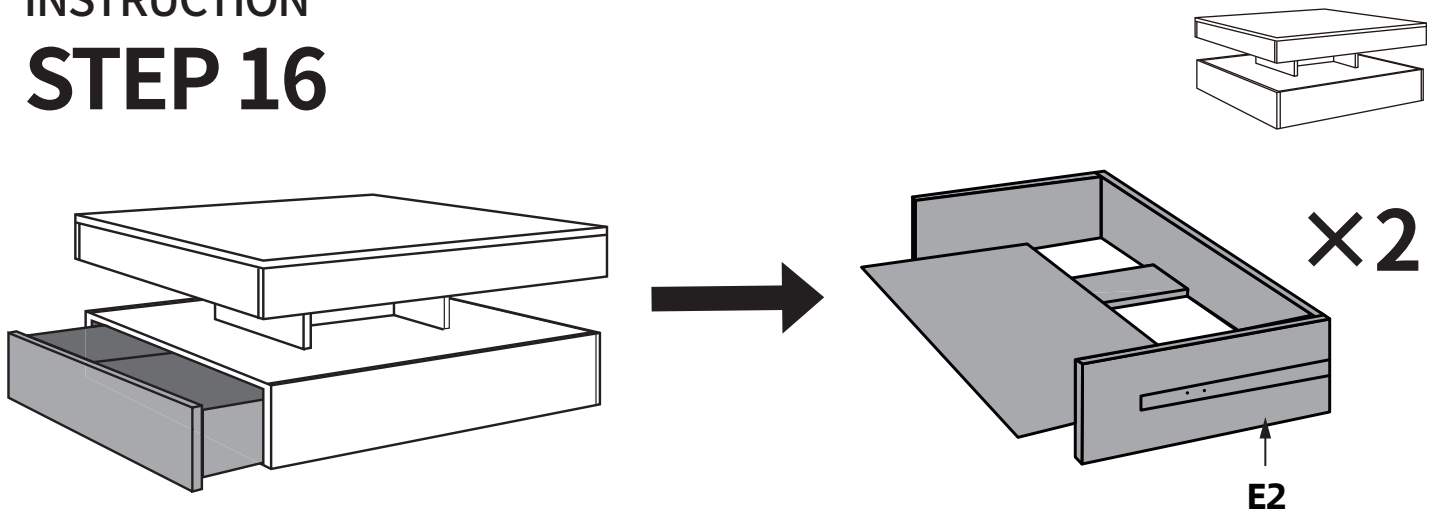
# INSTRUCTION

## STEP 15



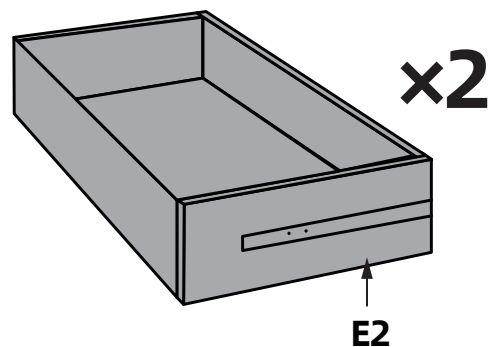
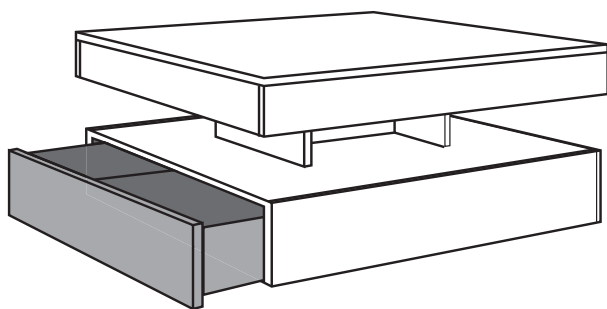
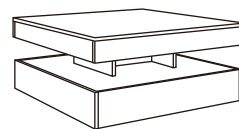
x2

INSTRUCTION  
**STEP 16**



# INSTRUCTION

## STEP 17



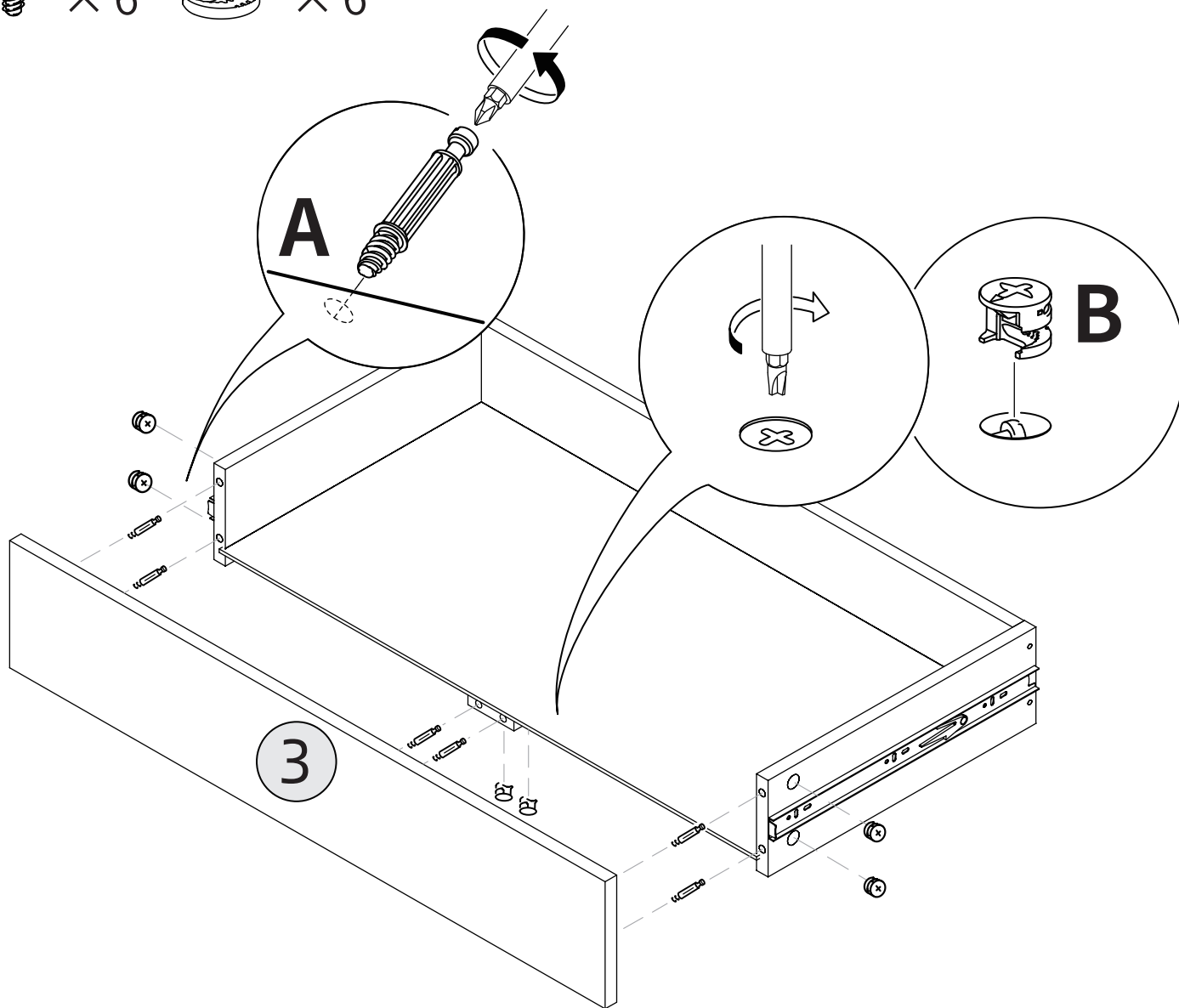
**A**

x 6

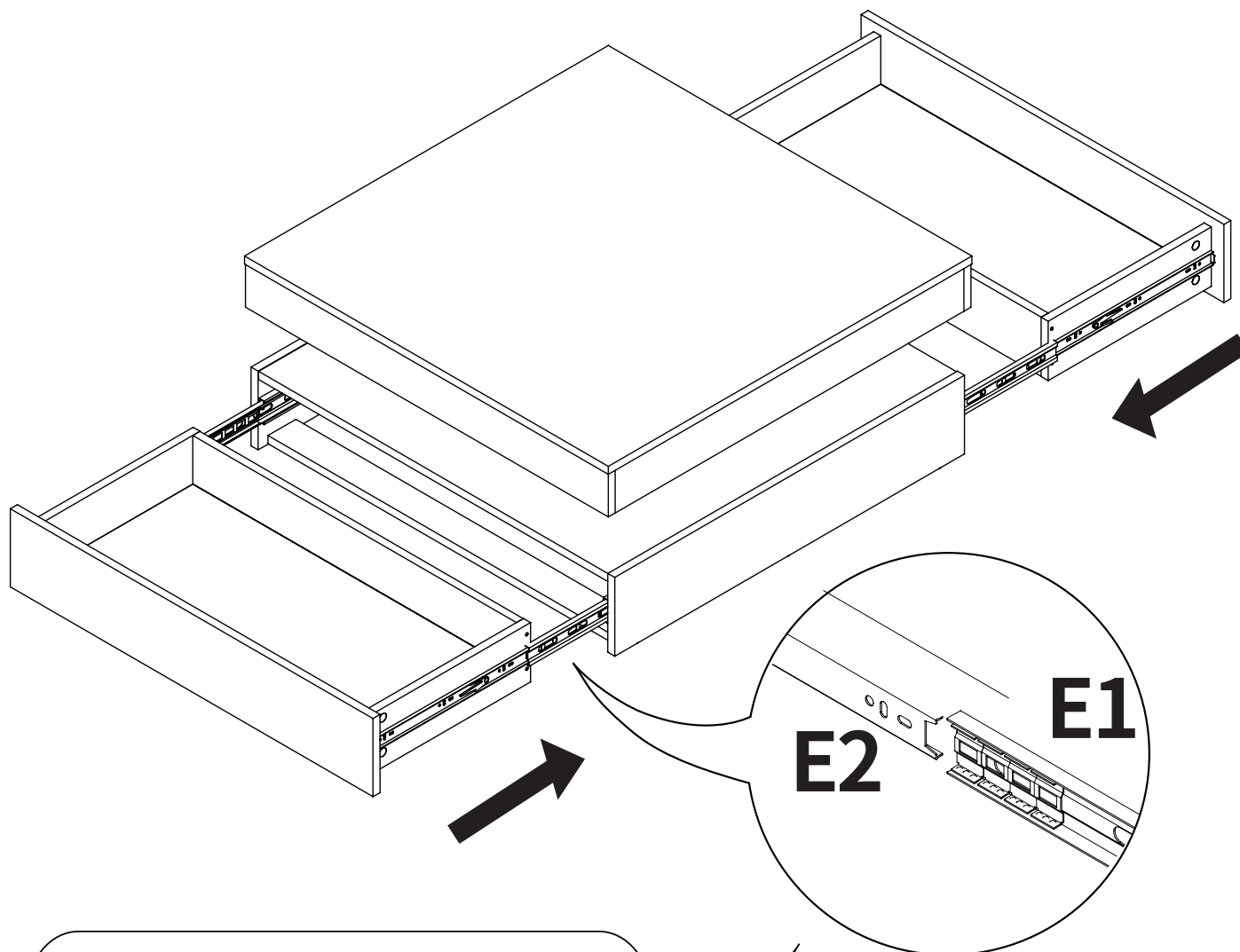
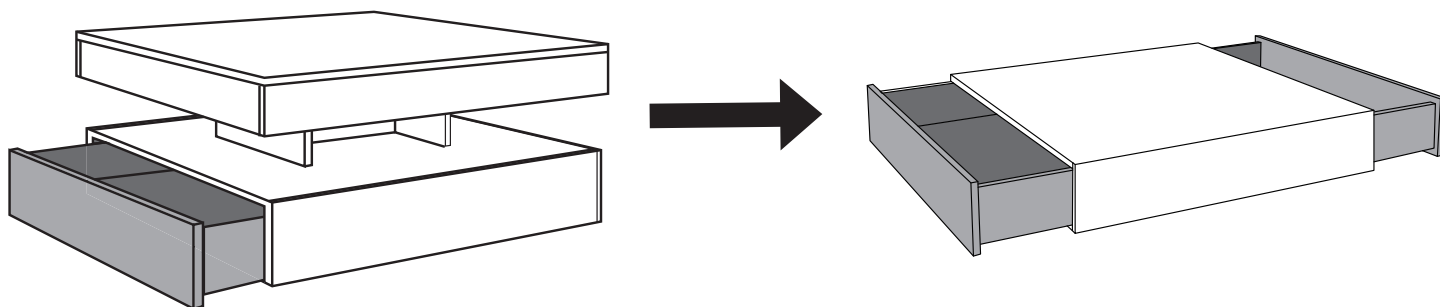
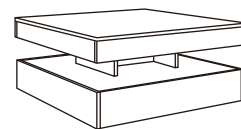
**B**



x 6



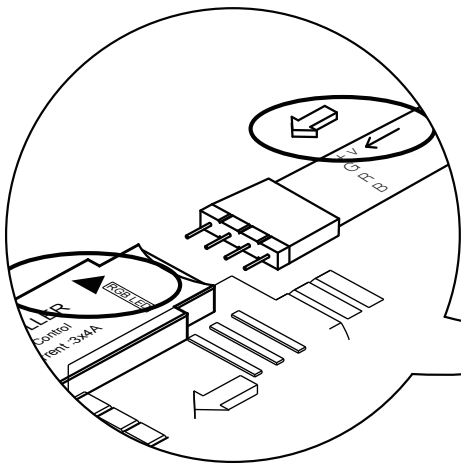
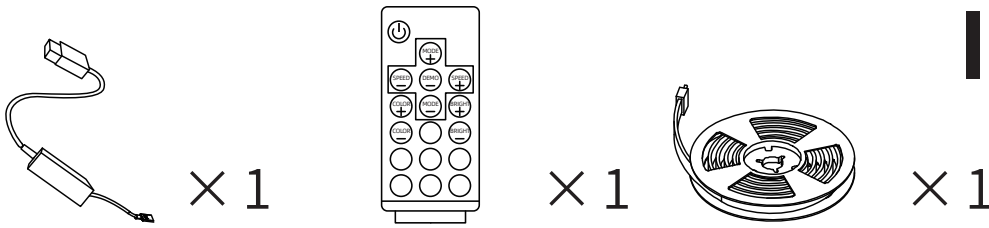
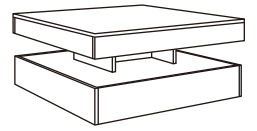
INSTRUCTION  
**STEP 18**



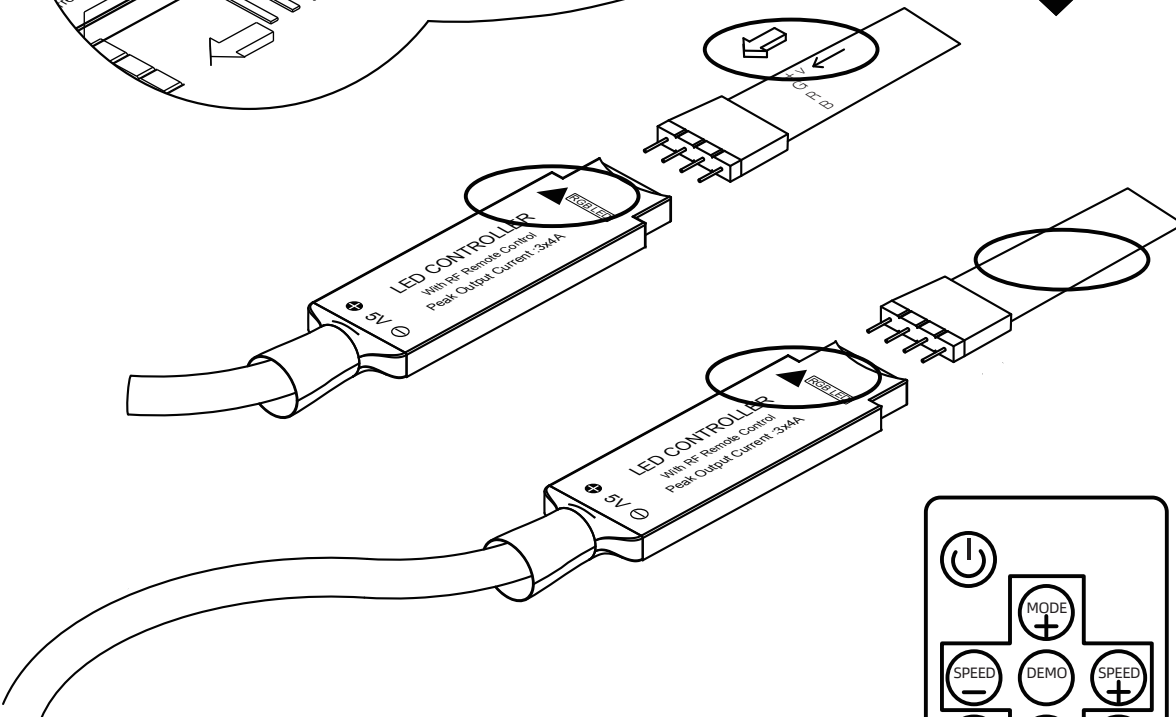
Please insert the assembled E2 back inside E1, there will be some resistance in the process, just push it to the end.

# INSTRUCTION

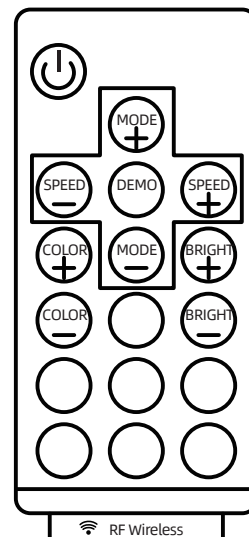
## STEP 19



Please make sure that the arrows correspond and then connect them together.



Please pull out the plastic film before using.



INSTRUCTION  
**STEP 20**

