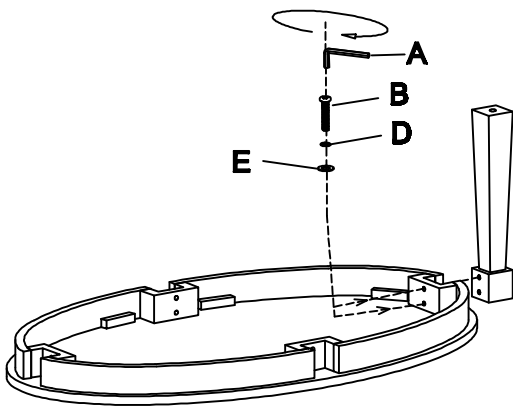


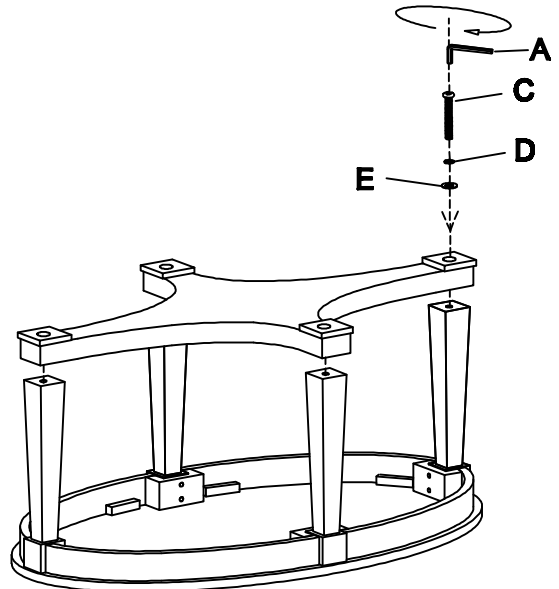
ASSEMBLY INSTRUCTION

8160-46

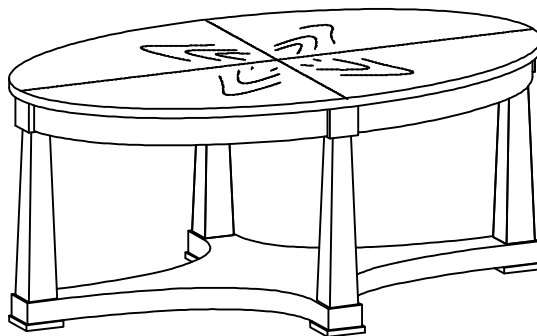
STEP1



STEP2



FINAL



NO	DRAWING	SIZE	QTY	NO	DRAWING	SIZE	QTY
A		4mm	1pc	D		φ 1/4"	12pcs
B		φ 1/4"*1-1/2"	8pcs	E		φ 1/4"*φ 16MM	12pcs
C		φ 1/4"*2-1/2"	4pcs				