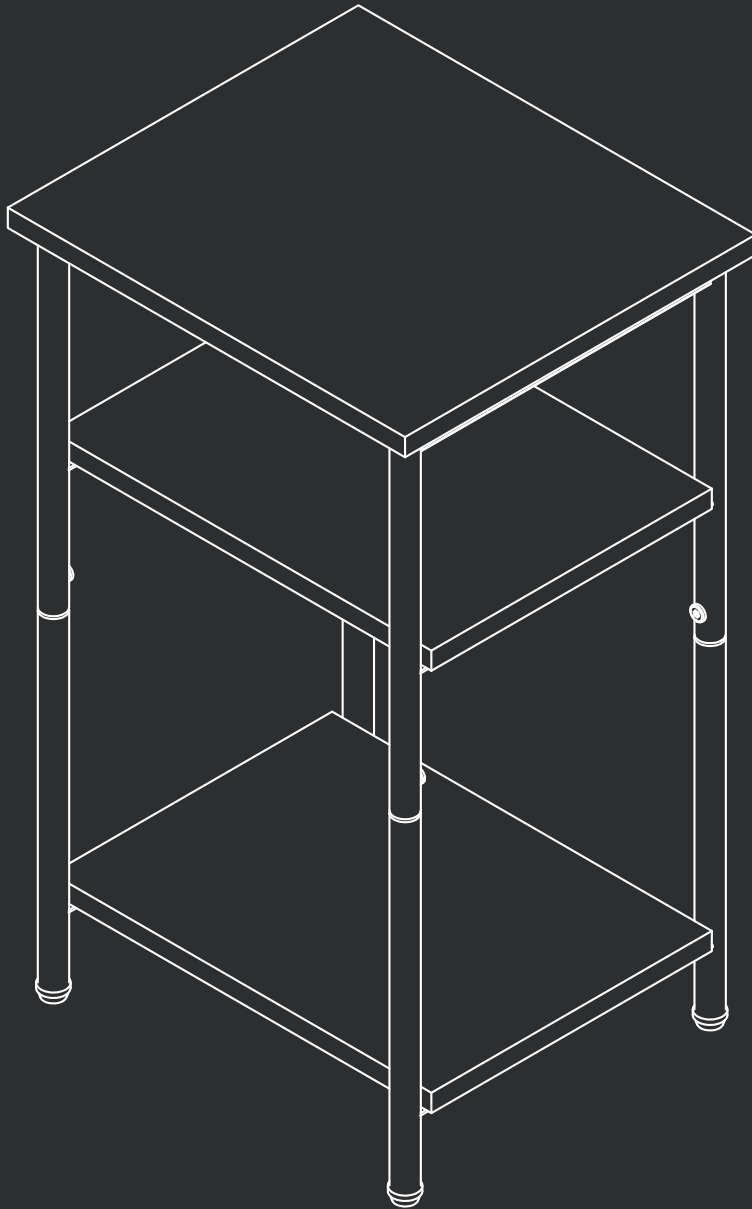
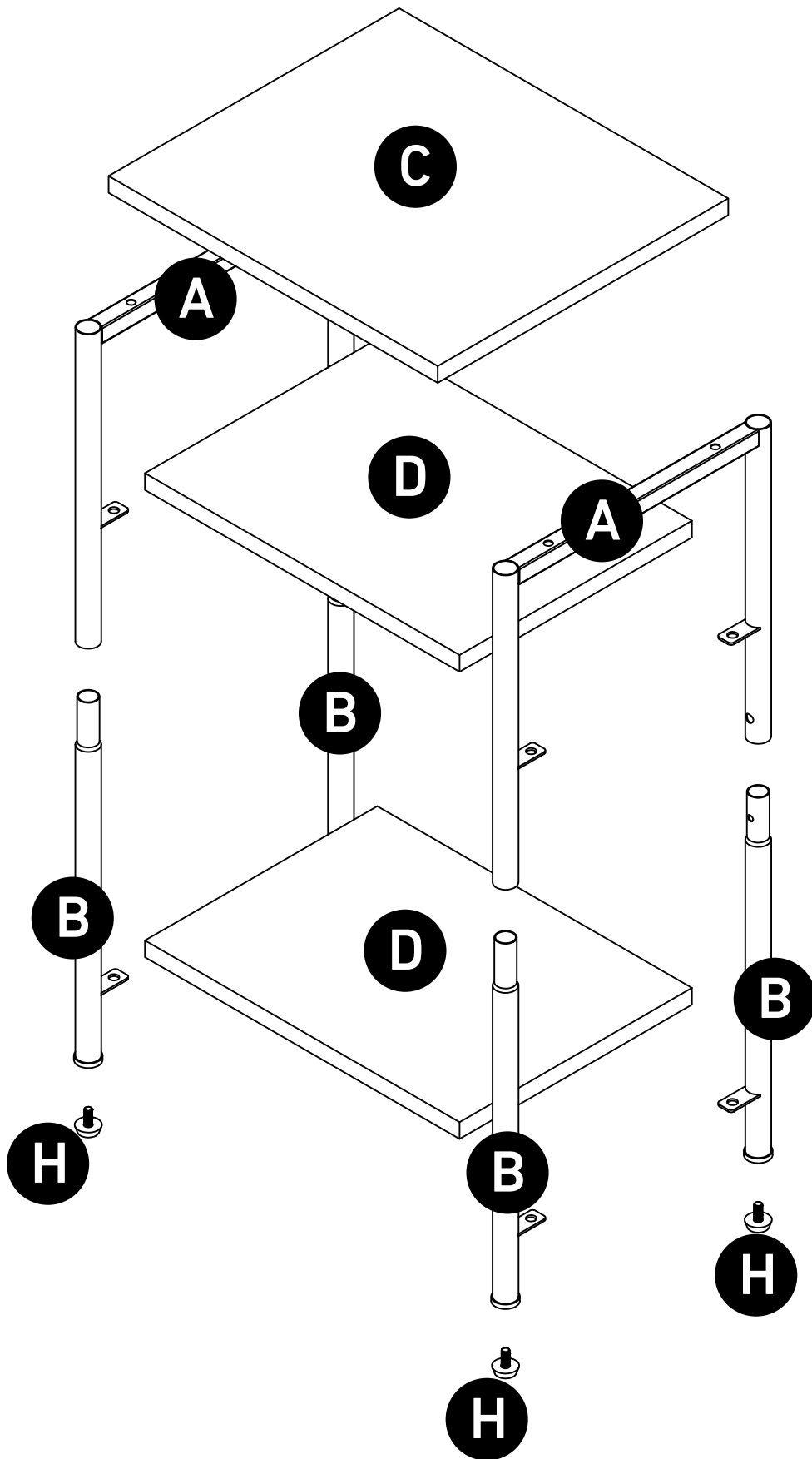


End Table

Instruction Manual

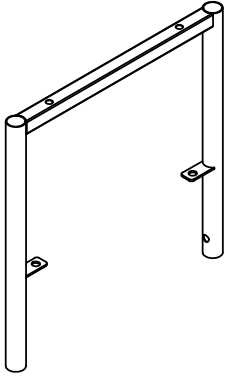


1 Component List



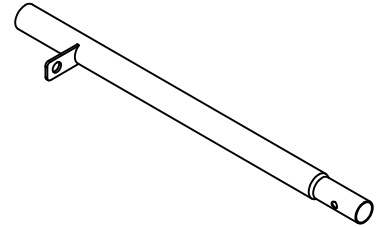
2 Package List

A X2



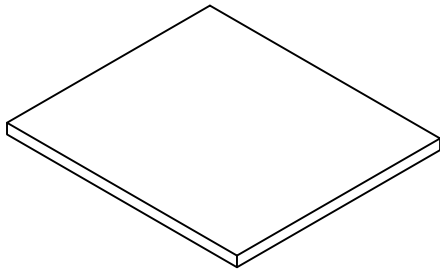
Frame

B X4



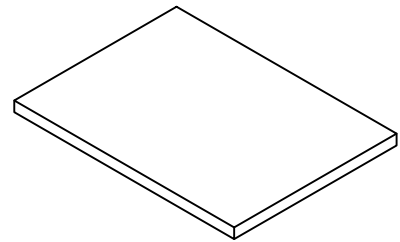
Support Leg

C X1



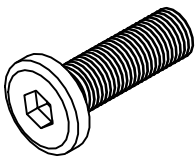
Top Board

D X2



Bottom Board

E X4



Screws
M6 x 25mm

F X1



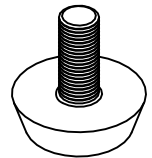
Wrench

G X12



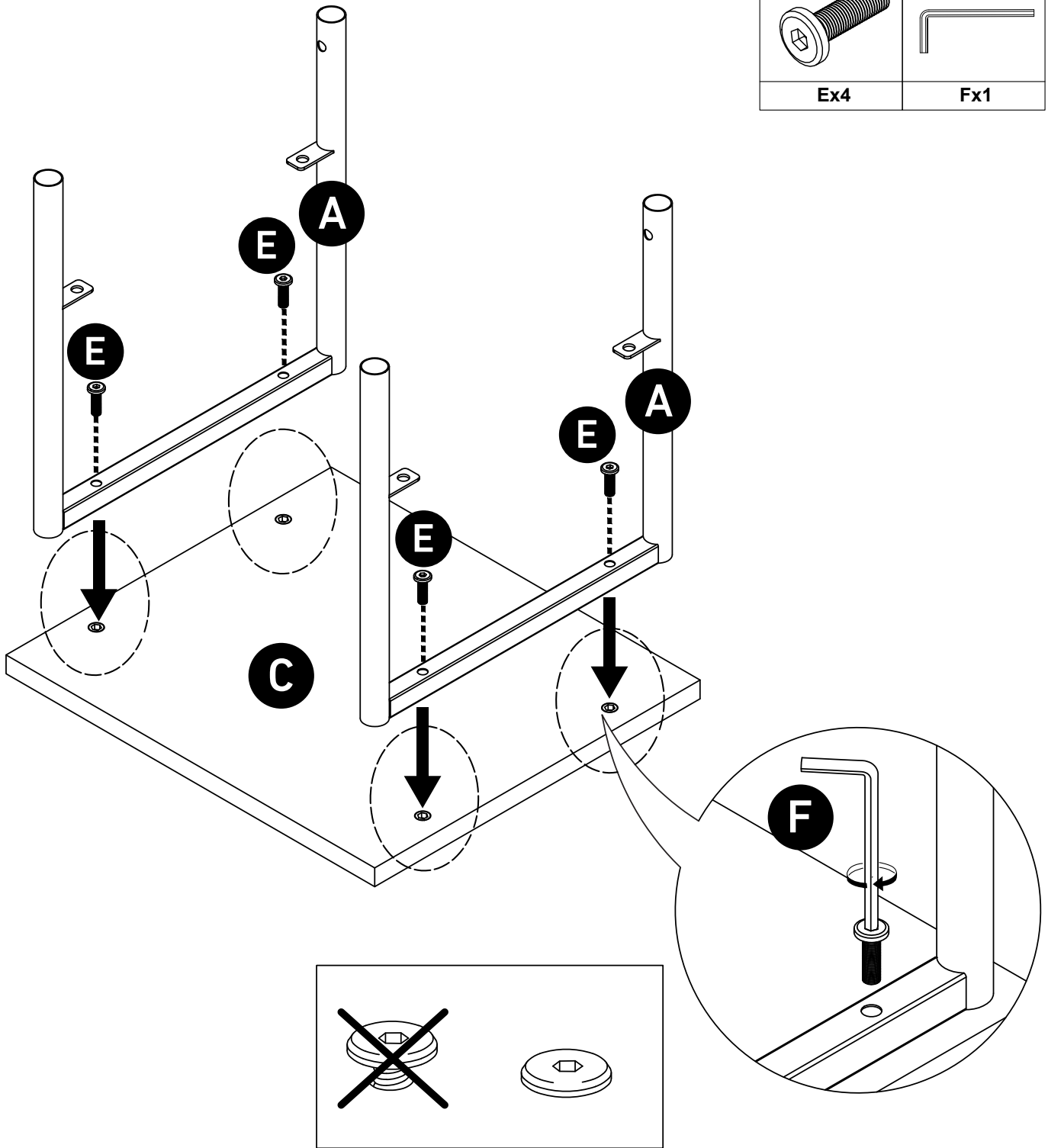
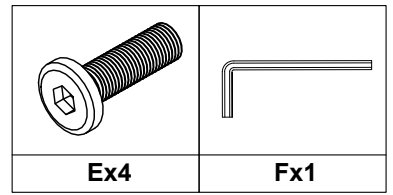
Screws
M6 x 12mm

H X4



Leg Nut

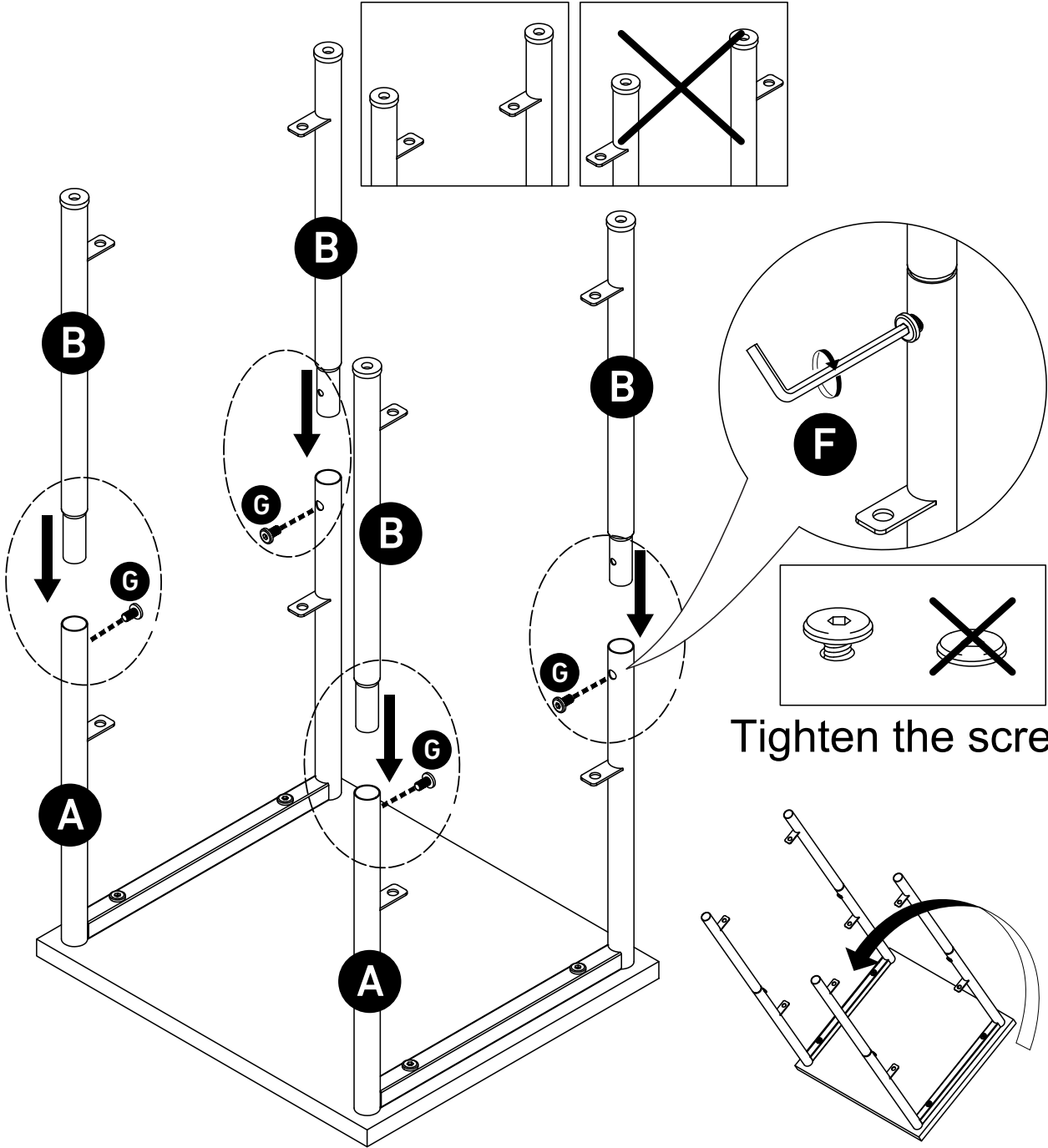
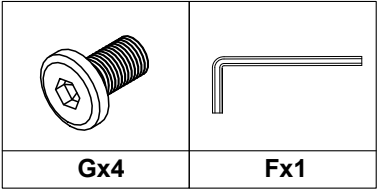
Step 1



Tighten the screws.

Connect the Frame(A)*2 to the Top Board(C)*1 using a Wrench(F) and Screws(E)*4.

Step 2

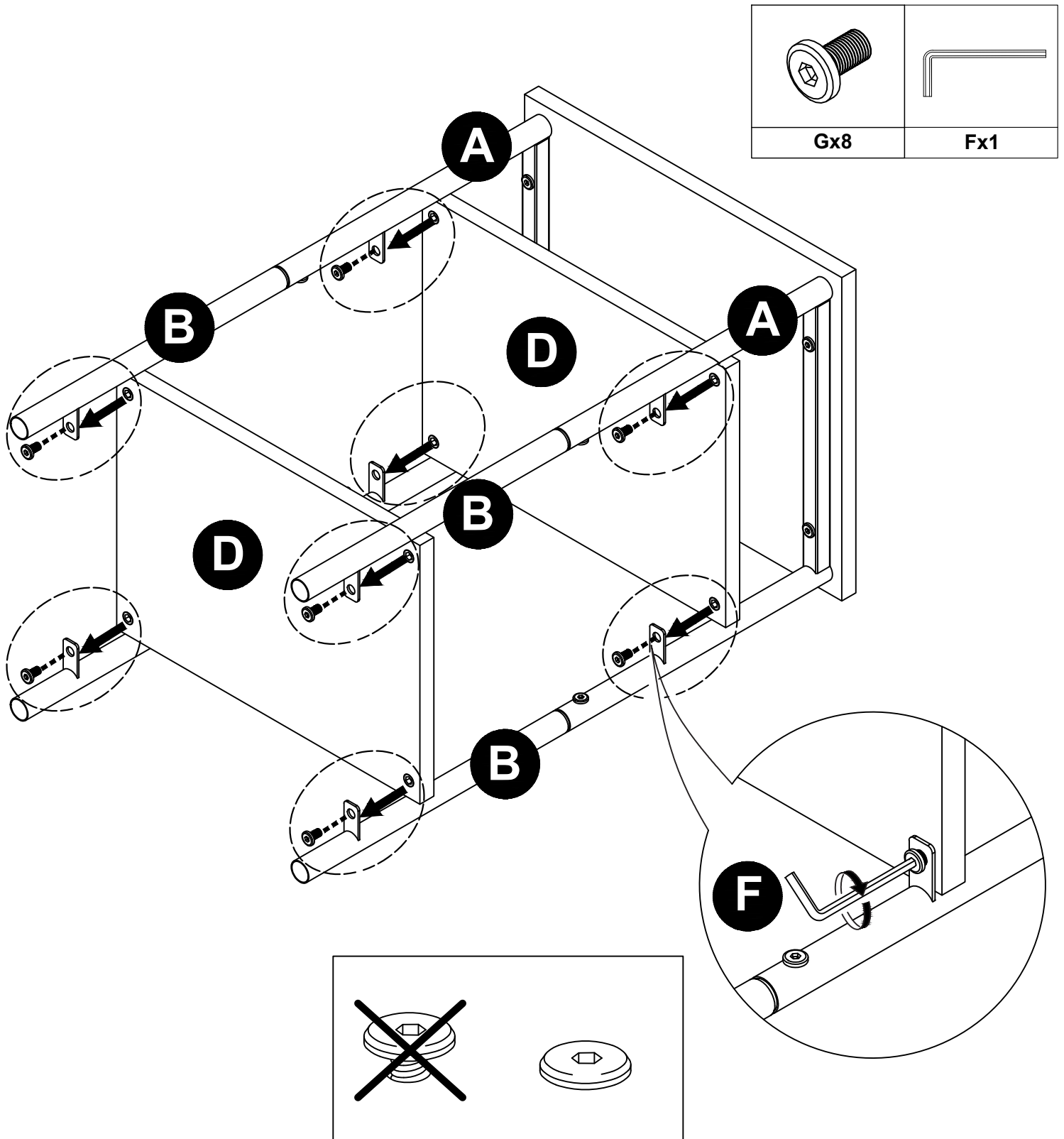


Tighten the screws.

Turn Over.

Connect the Support Leg(B)*4 to the Frame(A)*2 using a Wrench(F) and Screws(G)*4.

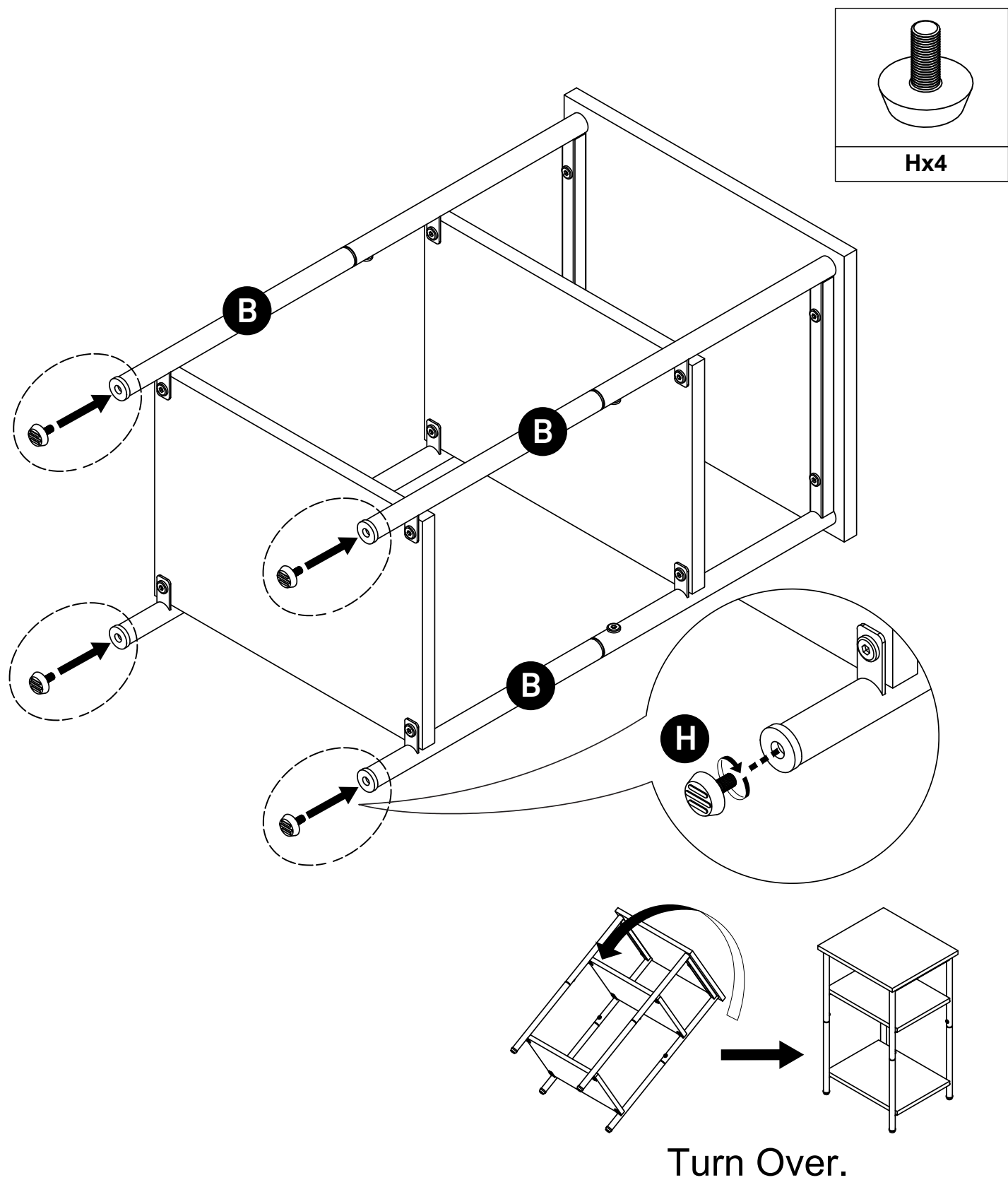
Step 3



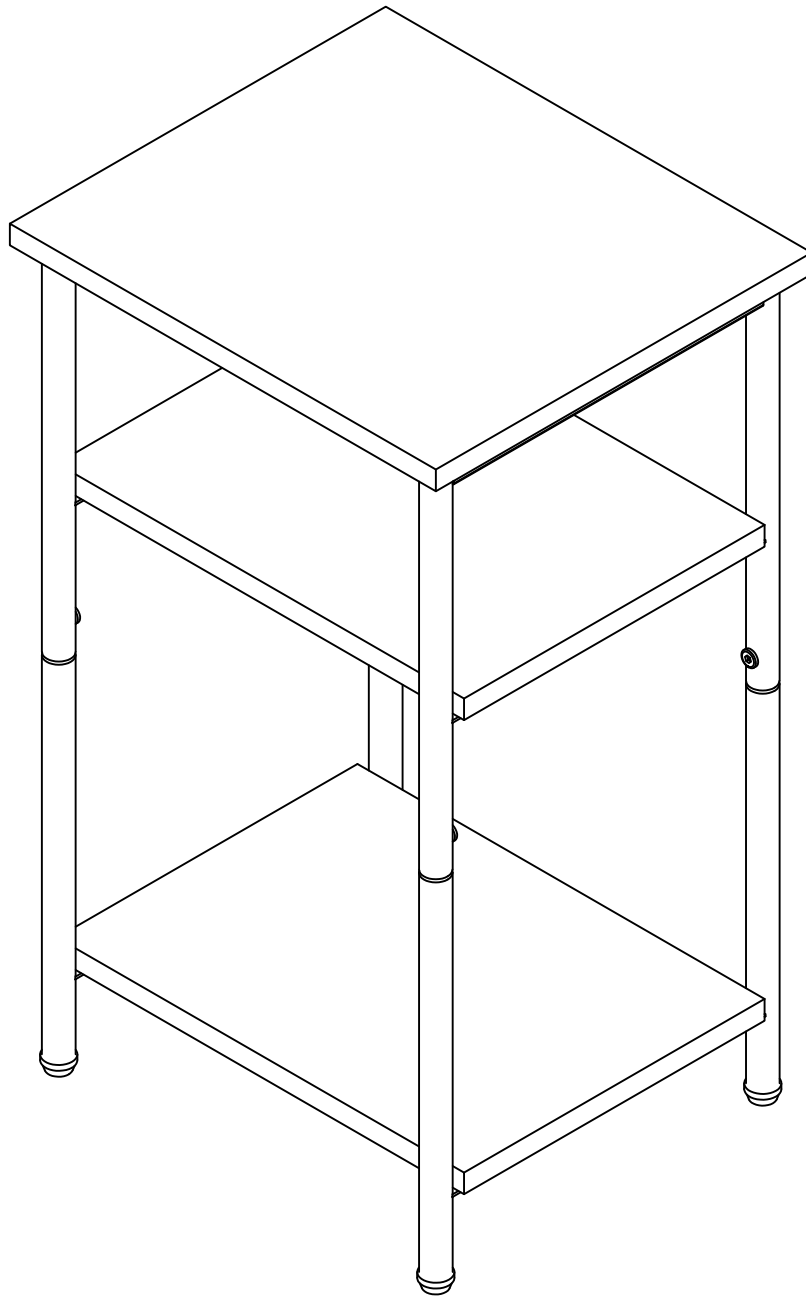
Tighten all screws.

Connect the Bottom Board(D)*2 to the Frame(A)*2 and Support Leg(B)*4 using a Wrench(F) and Screws(G)*8

Step 4



Install Leg Nut(**H**)*4 into the Support Leg(**B**)*4.



Thank you for choosing this product. We strive to provide you with the best quality products and service in the industry. Should you have any issues, please don't hesitate to contact us.