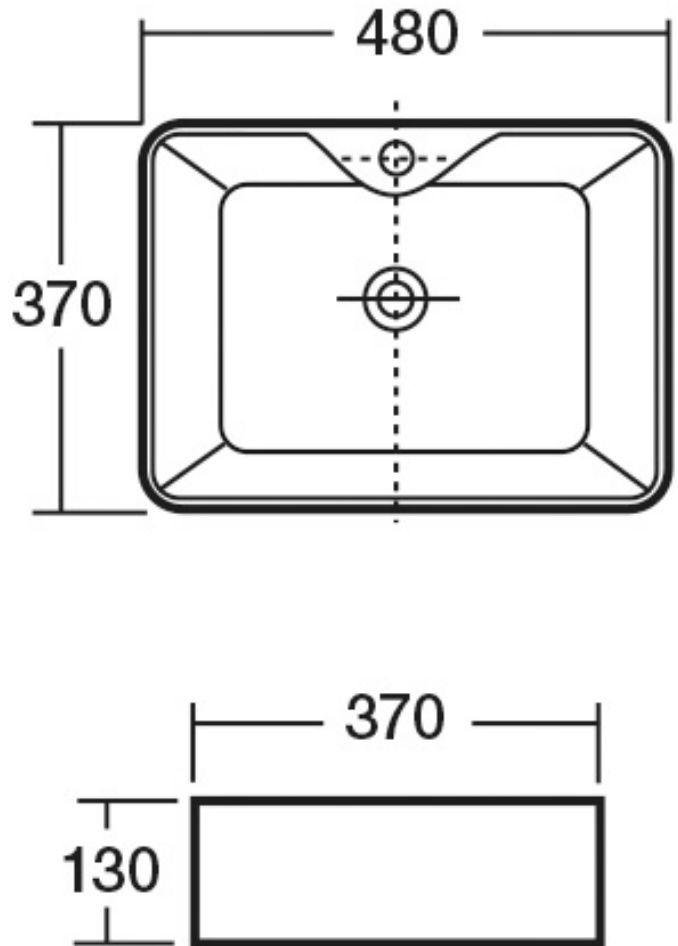


CUSTOMER DATA SHEET - CERAMICS

SALES CODE: NBV119

DESCRIPTION: Vessel 480X370x130 (2V1.1066)



PRODUCT DIMENSIONS

Height (mm)	Width (mm)	Depth (mm)	Nett Wgt Kg
130	480	370	12.06

PACKAGING DIMENSIONS

Height (mm)	Width (mm)	Depth (mm)	Gross Wgt Kg
150	395	485	12.06

PACKAGING DATA

Box Colour	Brown Cardboard Box		
Box Qty	1	Label Colour	White Label
Label Size	100 x 50	Label Qty	2

OUTER BOX DIMENSIONS (If Applicable)

Height (mm)	Width (mm)	Depth (mm)	Gross Wgt Kg
Barcode		5055369028436	

PRODUCT DETAILS

Country of Origin	China
Fitting Instruction	Yes

Certification	CE	No	WRAS	N/A	WRAS Number	N/A
Product Material	Vitreous China					

PANS/BIDETS

Trap Style	Not Applicable	Includes Seat	Not Applicable
------------	----------------	---------------	----------------

CISTERNS

Fittings	Not Applicable	Operating Type	Not Applicable
Lever Type	Not Applicable		

SEAT

Type	Not Applicable	Function	Not Applicable
Material	Not Applicable		
Hinge Type	Not Applicable	Hinge Material	Not Applicable

BASINS

Tap Hole	One Taphole	Chain Stay Hole	No
Template	Not Required	Waste Type Req'd	Unslotted
Overflow Incl.	No	Overflow Cover	No
Inner Bowl Depth	105mm		

GENERAL

Fixing Supplied	No
-----------------	----