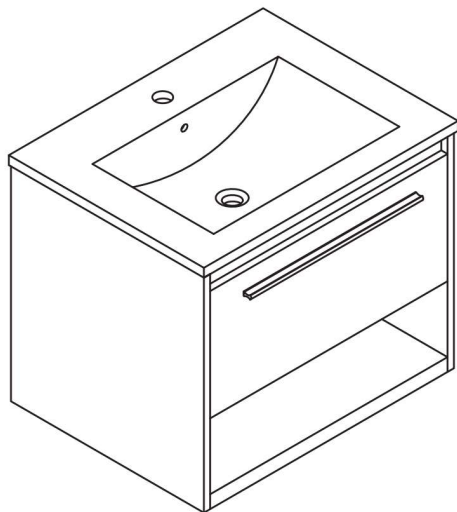
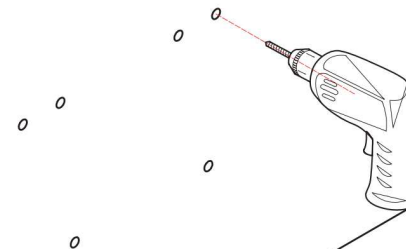


# ASSEMBLY INSTRUCTIONS



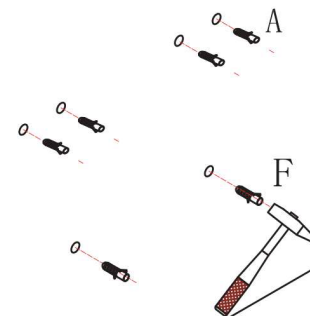
Step 1

Wall


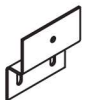



Step 2

Wall



## Hardware

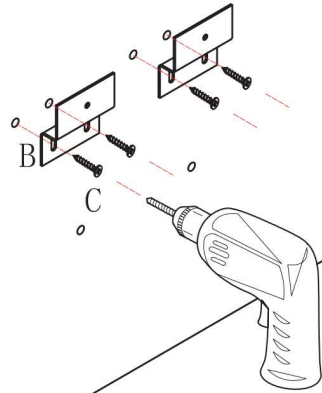
NO.	Parts	QTY
A	 (M6*1.18")	4
B		2
C	 (T4*1.38")	4

## Tools

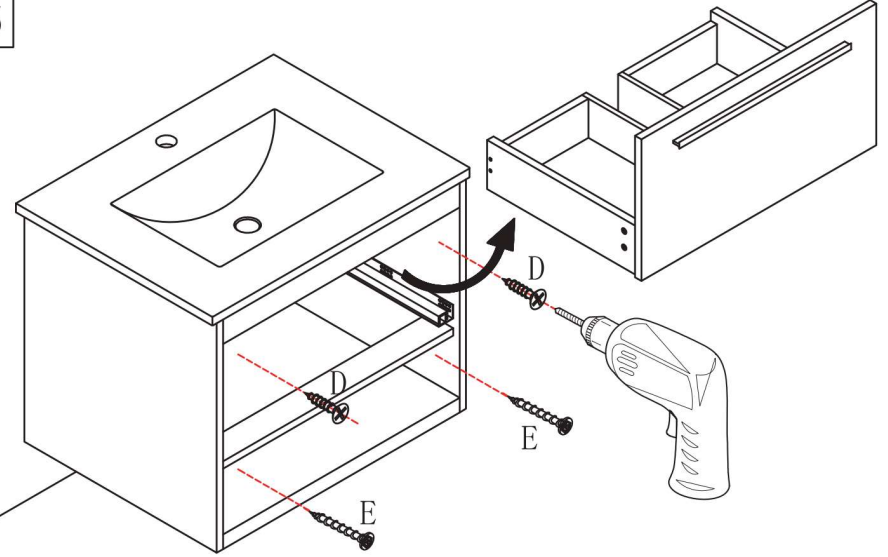


Step 3

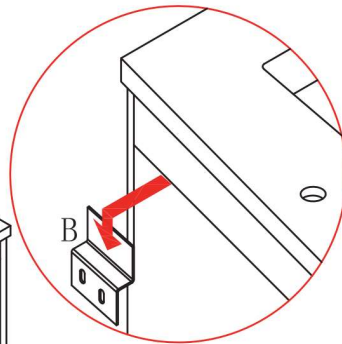
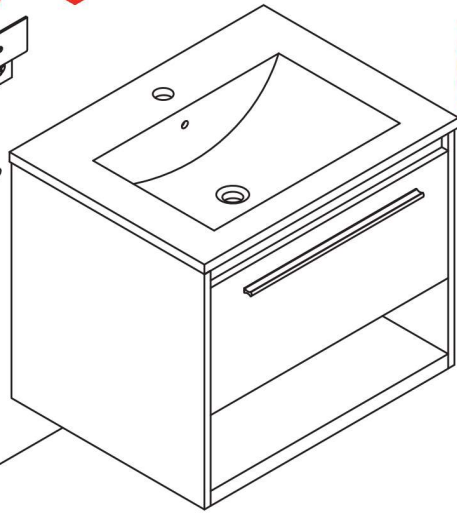
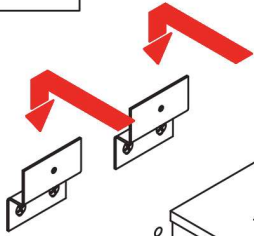
Wall



Step 5



Step 4



Finished

33.85"

