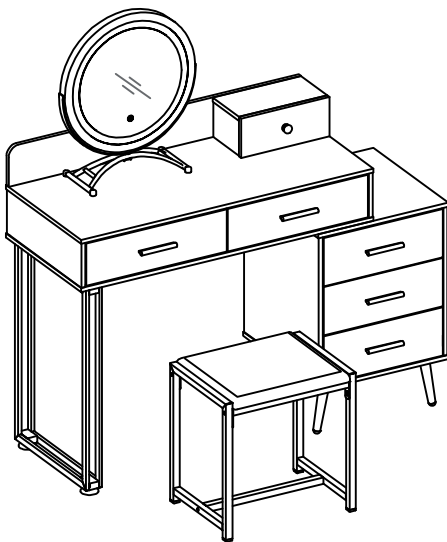


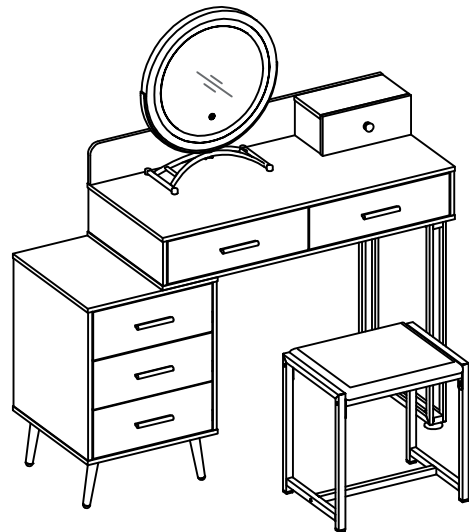
# *Vanity Desk with Storage Drawers*

## Assembly Instructions

AC-HZZ-6T\_V1.0



Option A



Option B

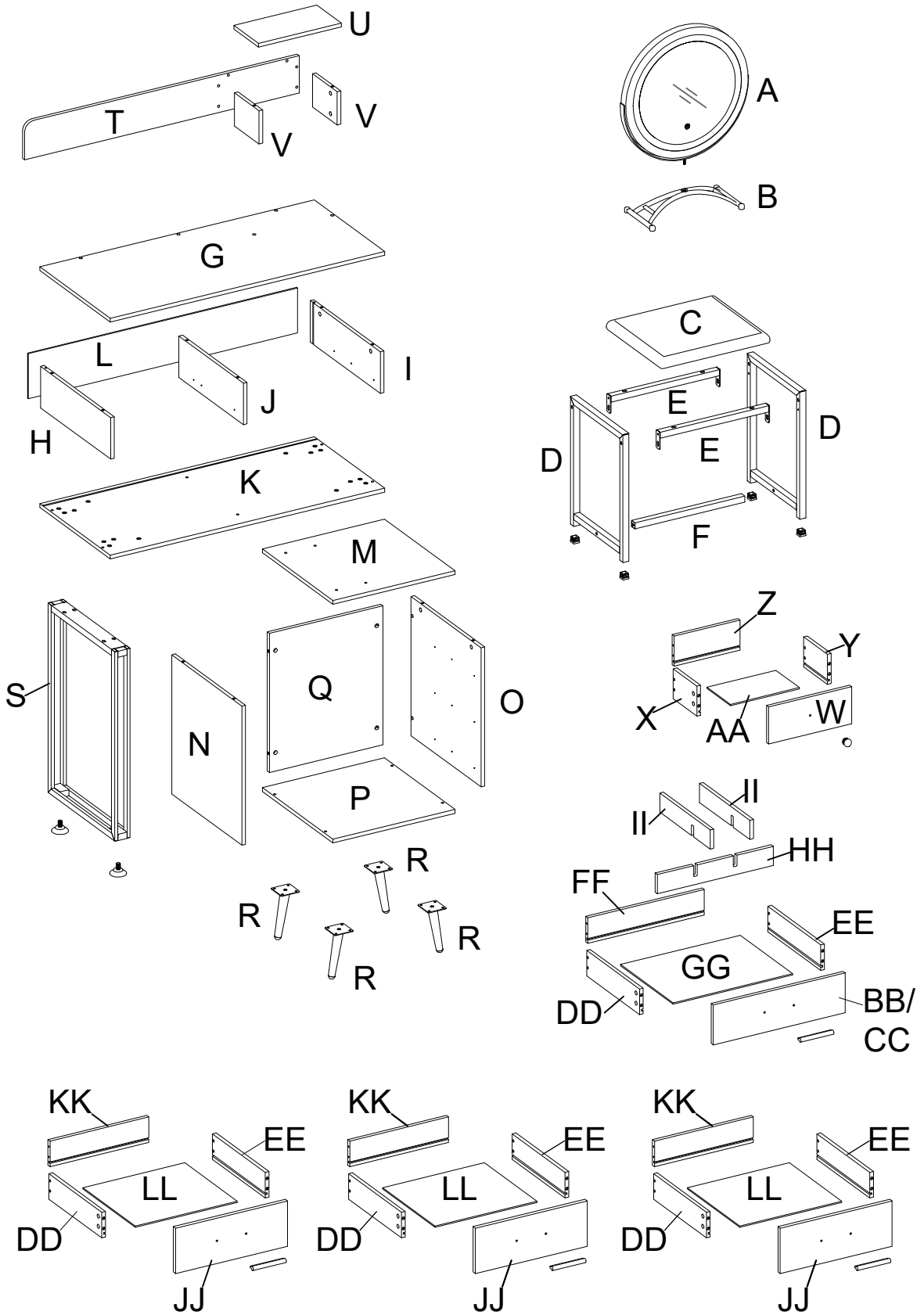
**Attention:** Please ensure you have all parts before commencing assembly.  
Please read all the instructions before commencing.

Have problems when installing or missing parts?

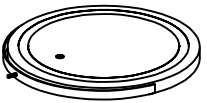

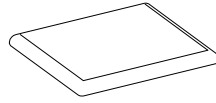
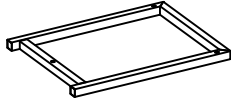


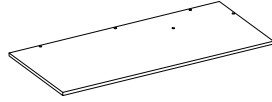
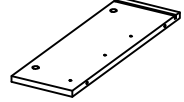
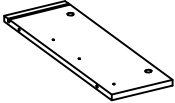
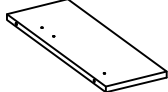
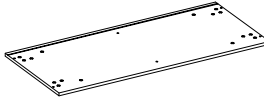

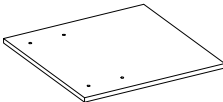
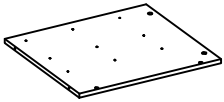
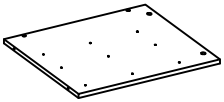
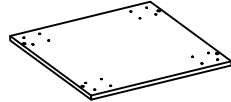
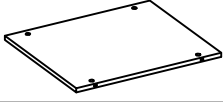

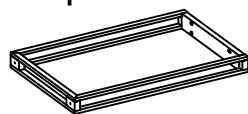

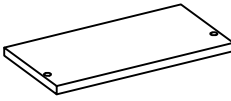
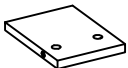
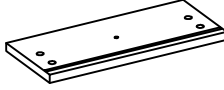
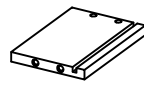
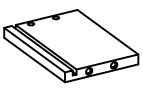

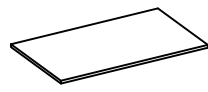
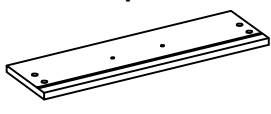
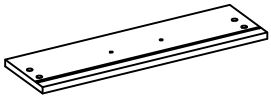
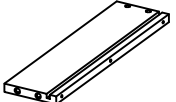
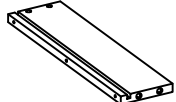

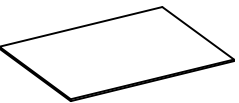
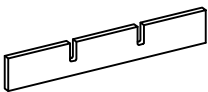
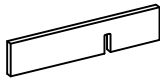
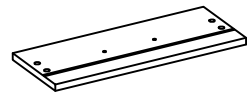

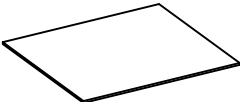
**How to find us?**

 [bettersp@hotmail.com](mailto:bettersp@hotmail.com)

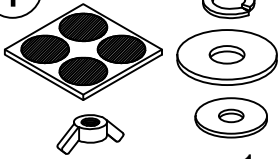
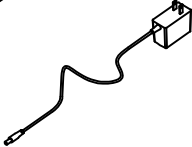
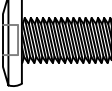
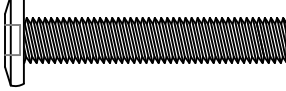
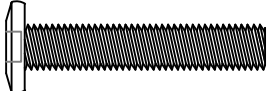

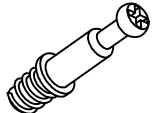

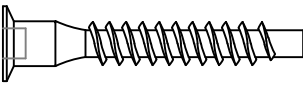

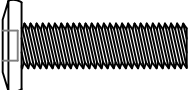

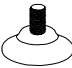



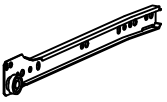
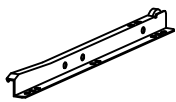
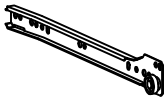
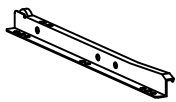
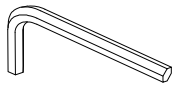
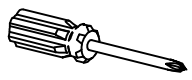
# PART LIST



**PART LIST**

A x 1pc 	B x 1pc 	C x 1pc 	D x 2pcs 
E x 2pcs 	F x 1pc 	G x 1pc 	H x 1pc 
I x 1pc 	J x 1pc 	K x 1pc 	L x 1pc 
M x 1pc 	N x 1pc 	O x 1pc 	P x 1pc 
Q x 1pc 	R x 4pcs 	S x 1pc 	T x 1pc 
U x 1pc 	V x 2pcs 	W x 1pc 	X x 1pc 
Y x 1pc 	Z x 1pc 	AA x 1pc 	BB x 1pc 
CC x 1pc 	DD x 5pcs 	EE x 5pcs 	FF x 2pcs 
GG x 2pcs 	HH x 2pcs 	II x 4pcs 	JJ x 3pcs 
KK x 3pcs 	LL x 3pcs 		

## HARDWARE LIST

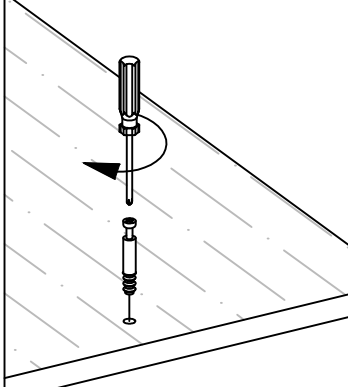
<p>①</p>  <p>M6 1 pc</p>	<p>②</p>  <p>1 pc</p>	<p>③</p>  <p>M6x12 4 pcs</p>	<p>④</p>  <p>M6x35 6 pcs</p>
<p>⑤</p>  <p>M6x32 8 pcs</p>	<p>⑥</p>  <p>20x20 4 pcs</p>	<p>⑦</p>  <p>M6x28 45 pcs</p>	<p>⑧</p>  <p>Ø12 45 pcs</p>
<p>⑨</p>  <p>M6x40 40 pcs</p>	<p>⑩</p>  <p>M3x12 60 pcs</p>	<p>⑪</p>  <p>M6x22 4 pcs</p>	<p>⑫</p>  <p>M4x12 16 pcs</p>
<p>⑬</p>  <p>2 pcs</p>	<p>⑭</p>  <p>M4x16 11 pcs</p>	<p>⑮</p>  <p>5 pcs</p>	<p>⑯</p>  <p>1 pc</p>
<p>⑰</p>  <p>5 pcs</p>	<p>⑱</p>  <p>5 pcs</p>	<p>⑲</p>  <p>5 pcs</p>	<p>⑳</p>  <p>5 pcs</p>
<p>㉑</p>  <p>M4 1 pc</p>	<p>㉒</p>  <p>1 pc</p>		

\*Please count and verify all parts before assembly .\*

# How to install Camlocks

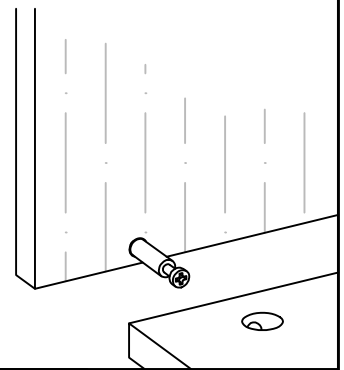
Connect the male camlock as directed in the assembly instructions with a screwdriver.

**1** DO NOT OVER TIGHTEN



Put the male camlock into the entry hole.

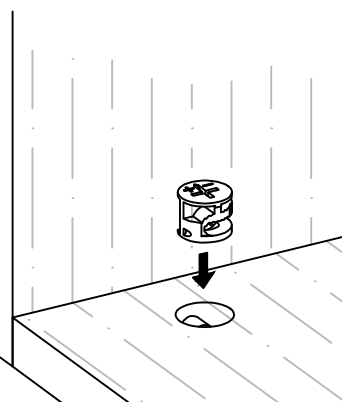
**2**



Insert the female camlock as shown in the instruction.

Note: ensure that the arrow on the top of the camlock points toward the entry hole for the male camlock.

**3**

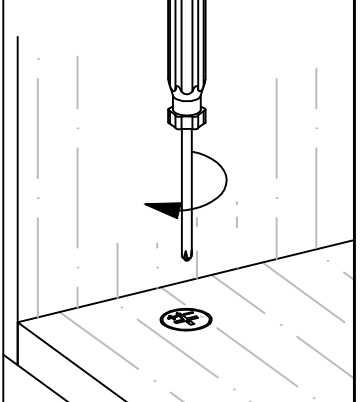


Screw the female camlock clockwise with a screwdriver.

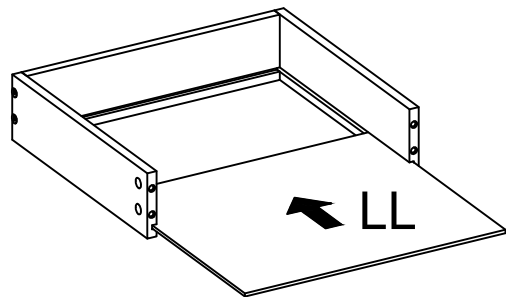
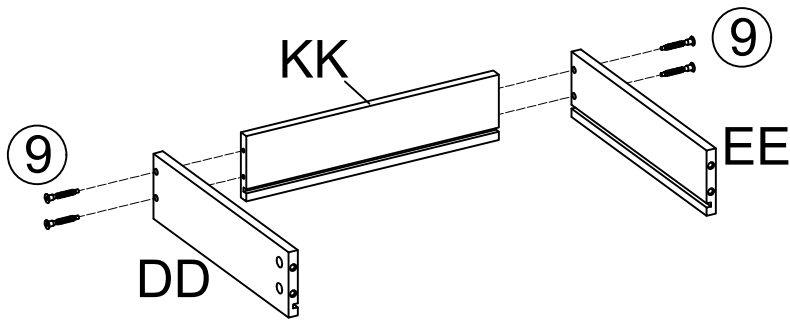
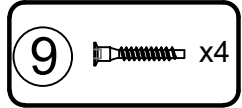
You will feel a click when the camlock is locked in place.

The camlock is now completed.

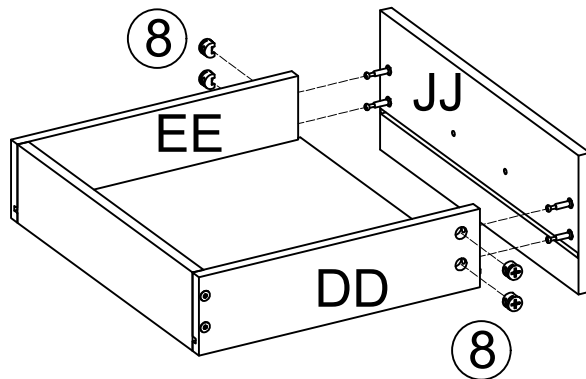
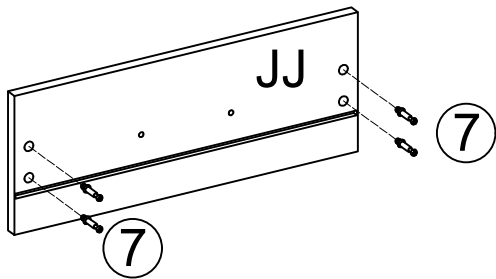
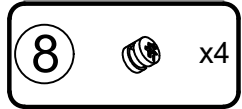
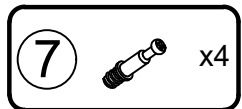
**4**



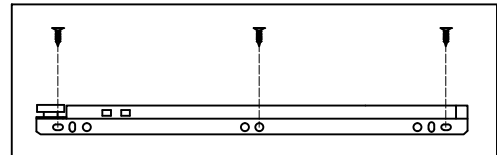
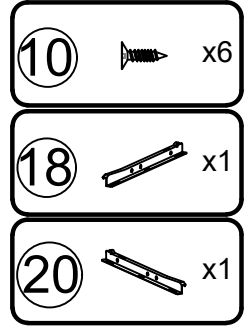
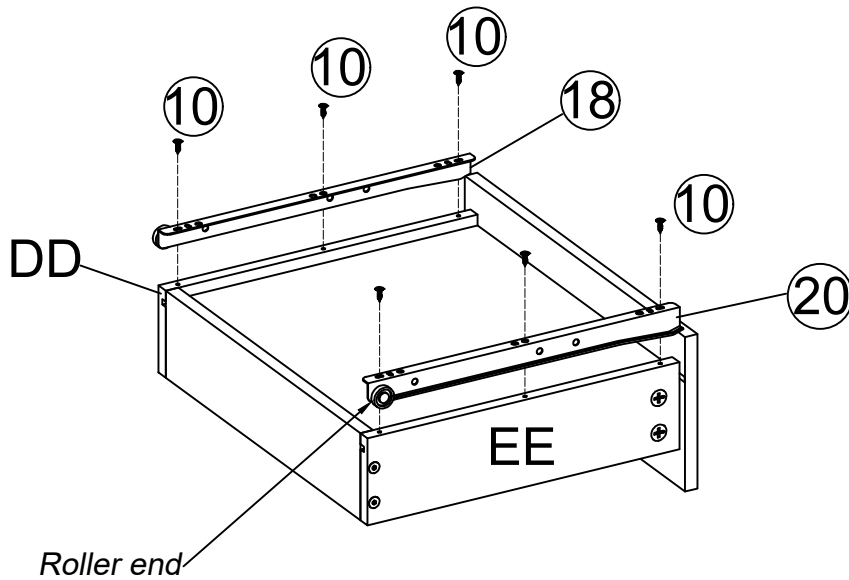
# STEP 1



# STEP 2

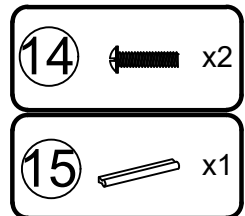
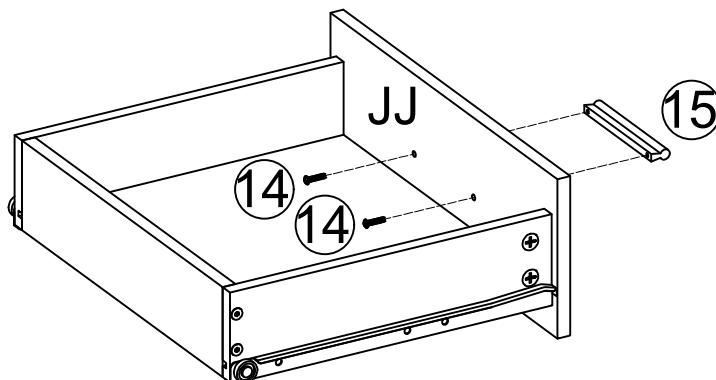


### STEP 3

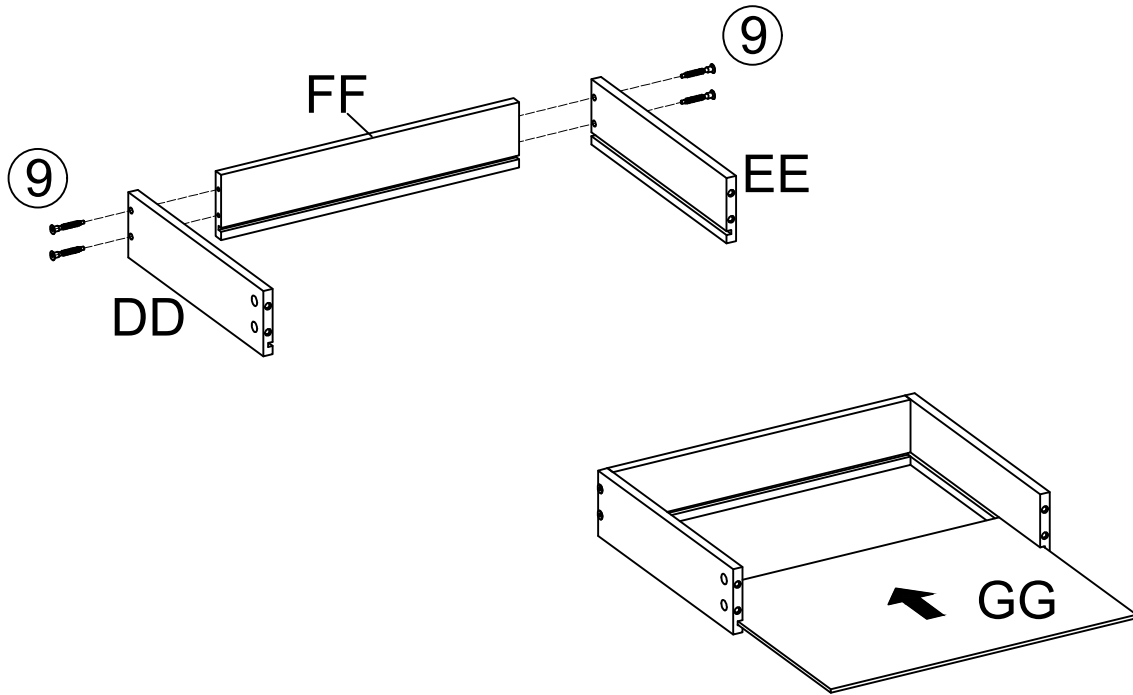
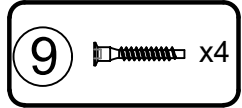


### STEP 4

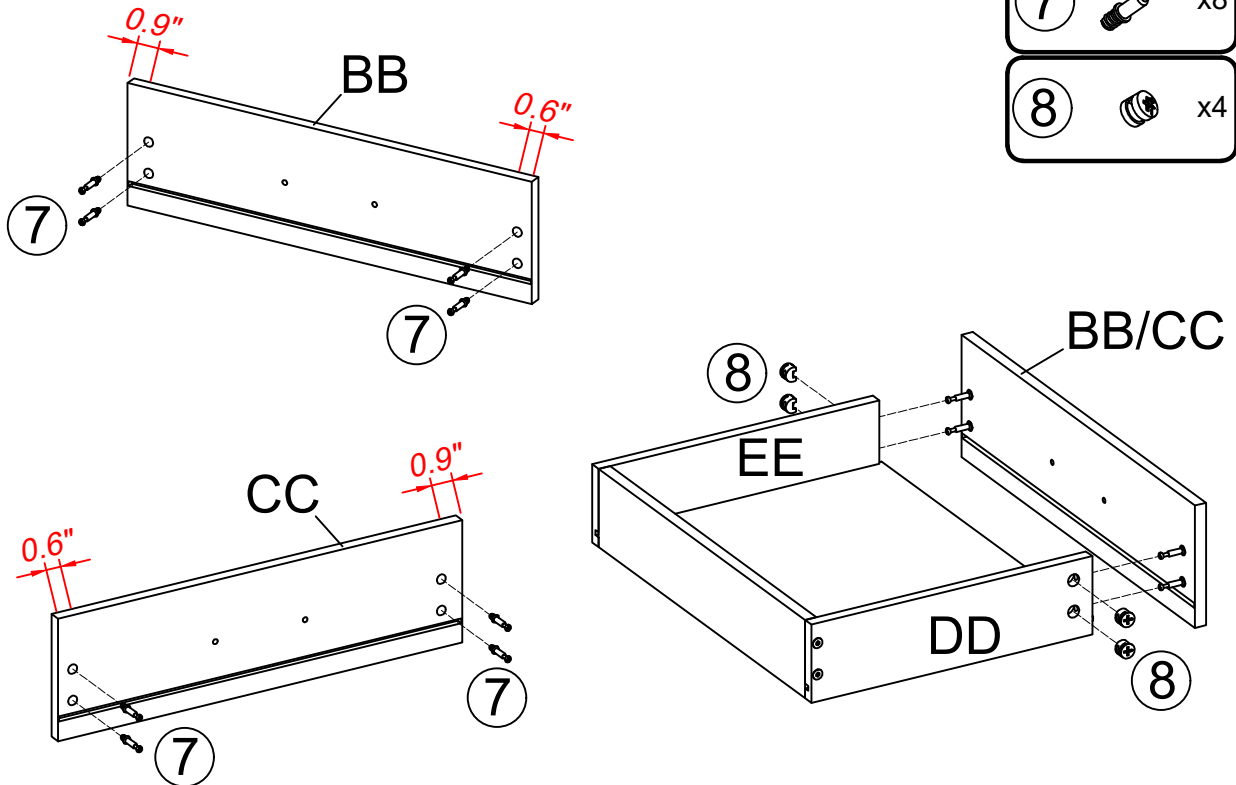
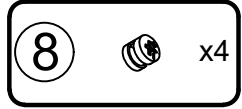
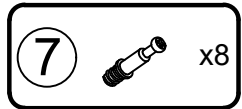
**NOTICE:**  
The installation for all the three lower cabinet drawers is base on the 1-4 steps above.



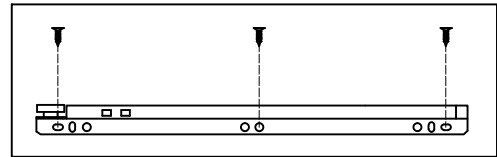
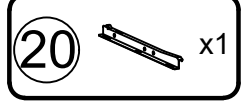
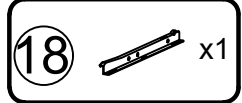
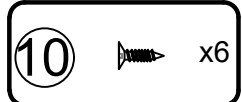
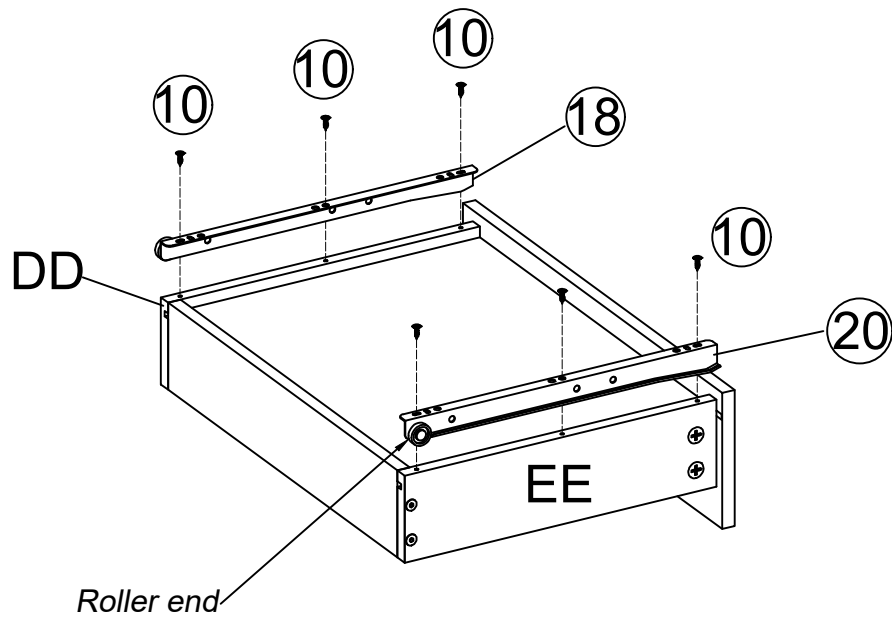
### STEP 5



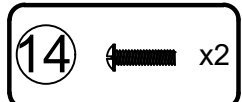
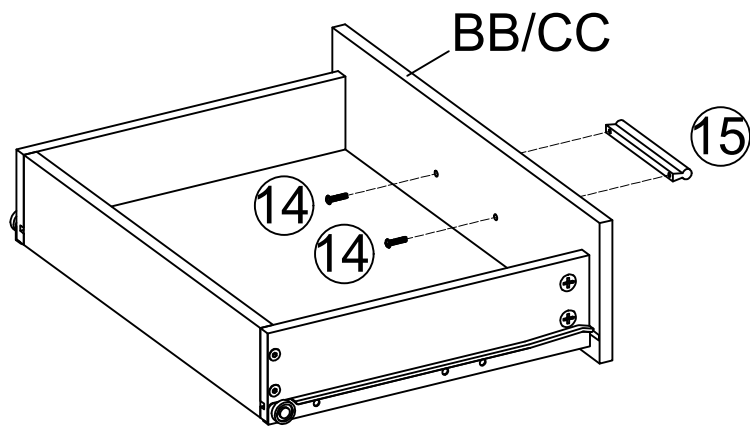
### STEP 6



### STEP 7



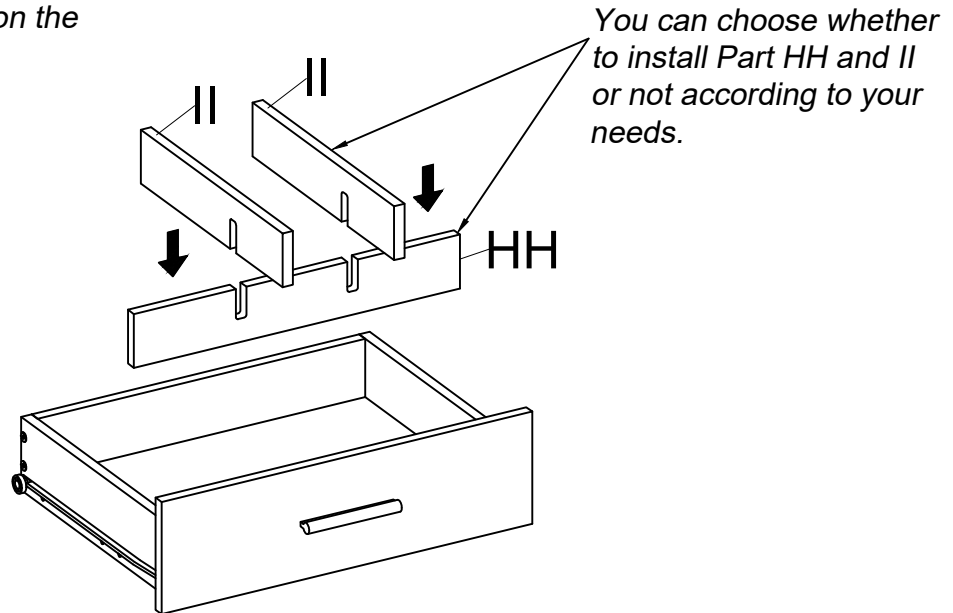
### STEP 8



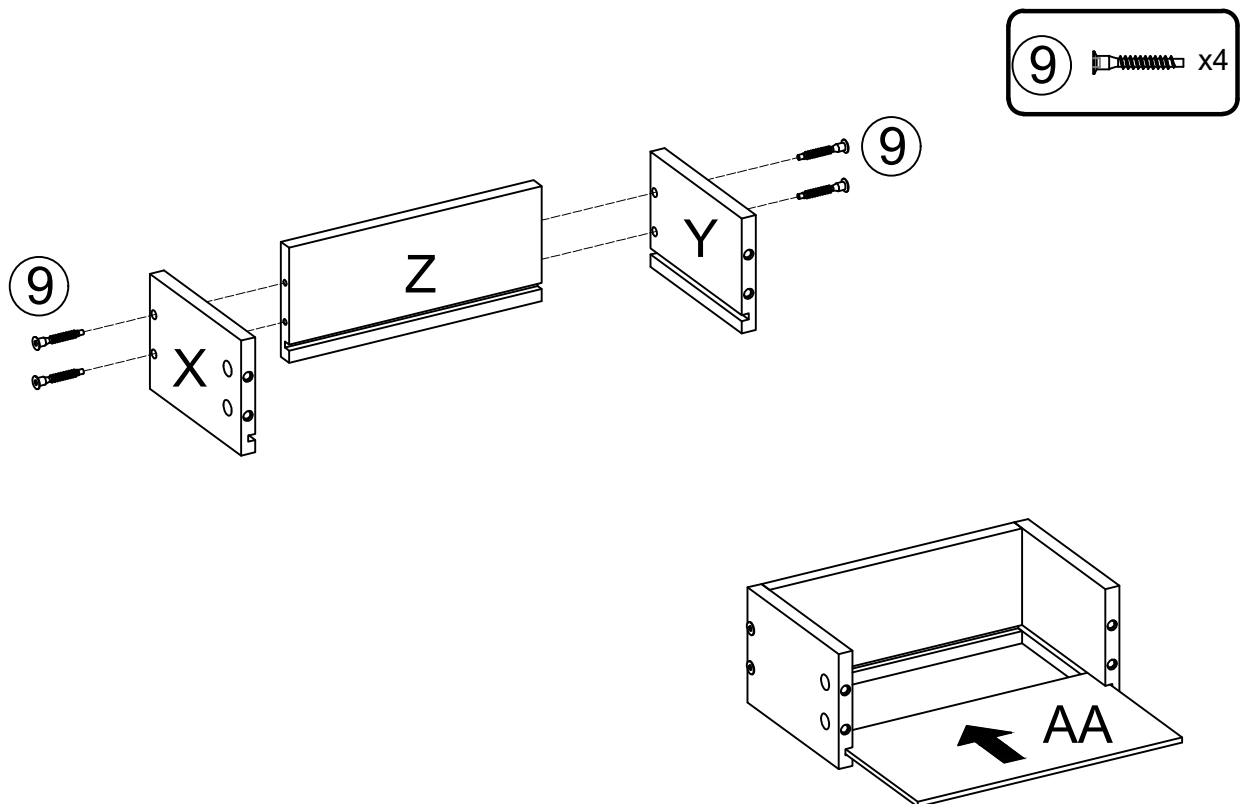
## STEP 9

**NOTICE:**

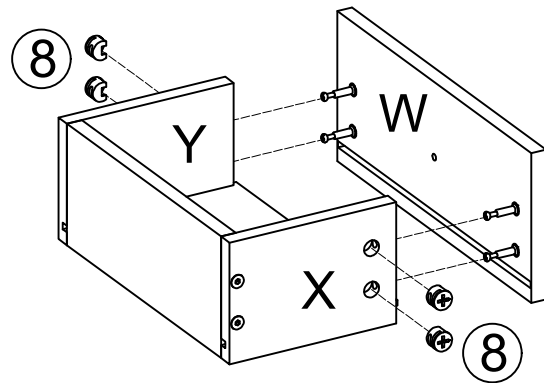
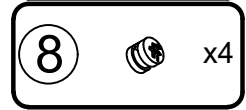
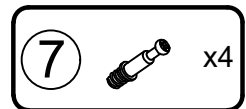
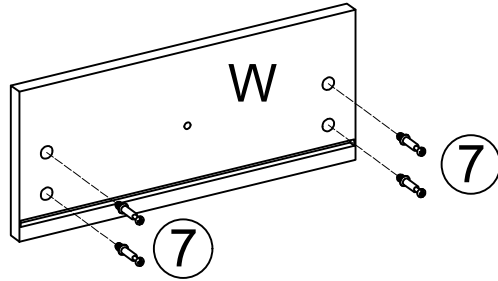
The installation for all the two upper cabinet drawers is base on the 5-9 steps above.



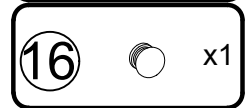
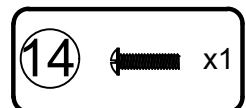
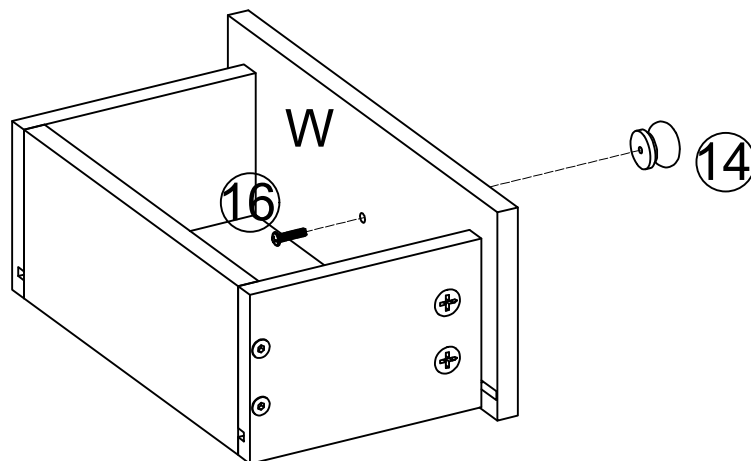
## STEP 10



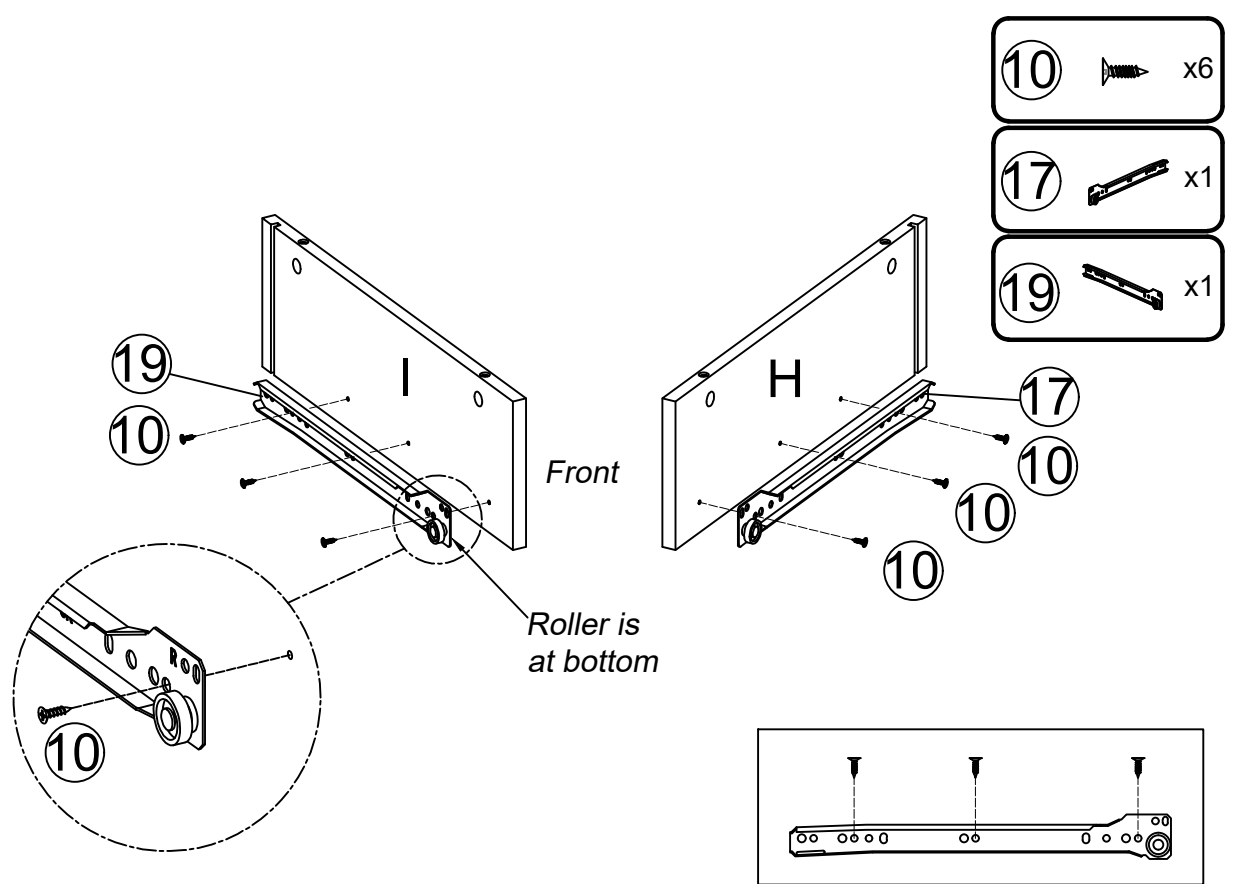
# STEP 11



# STEP 12

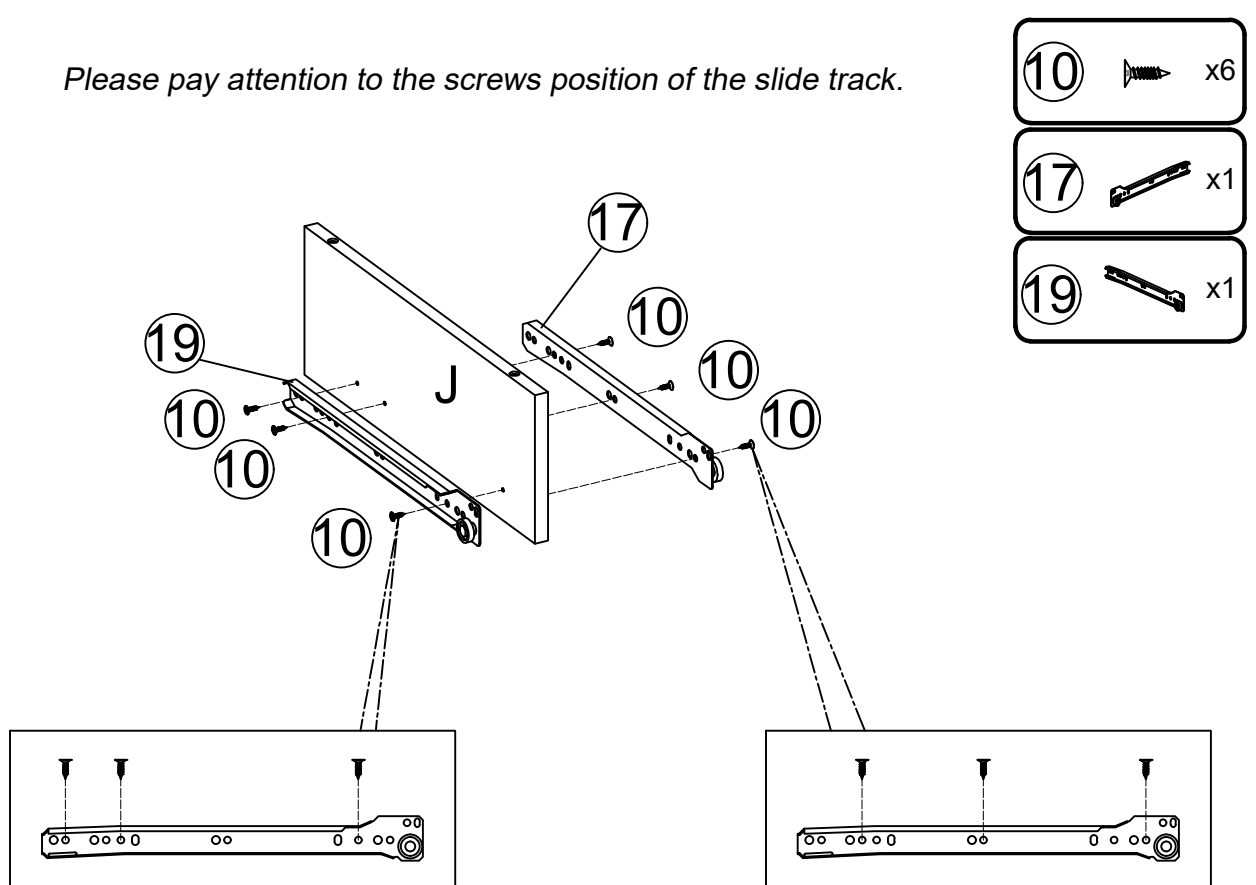


### STEP 13



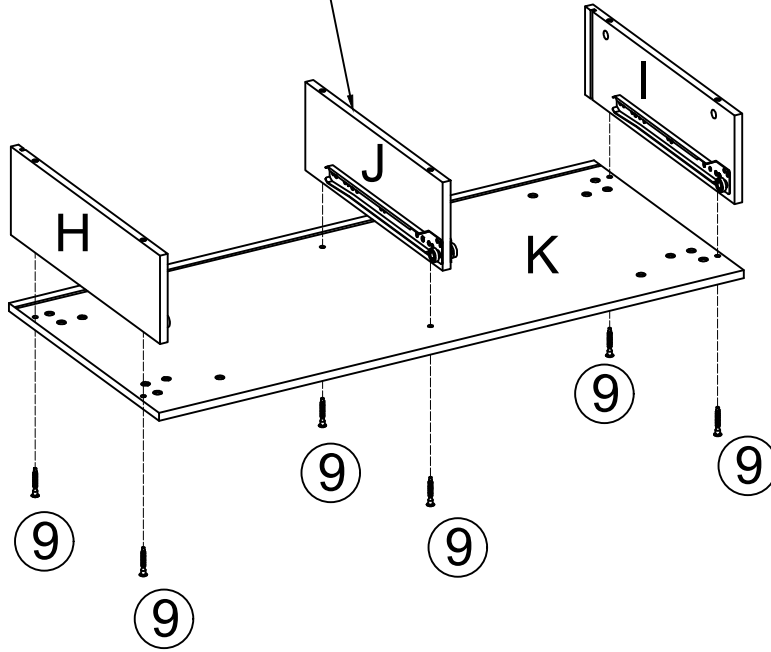
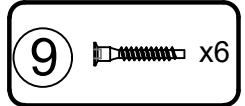
### STEP 14

Please pay attention to the screws position of the slide track.

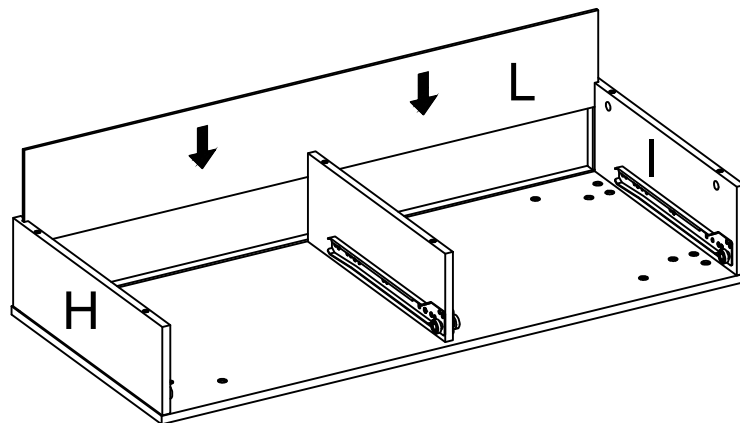


## STEP 15

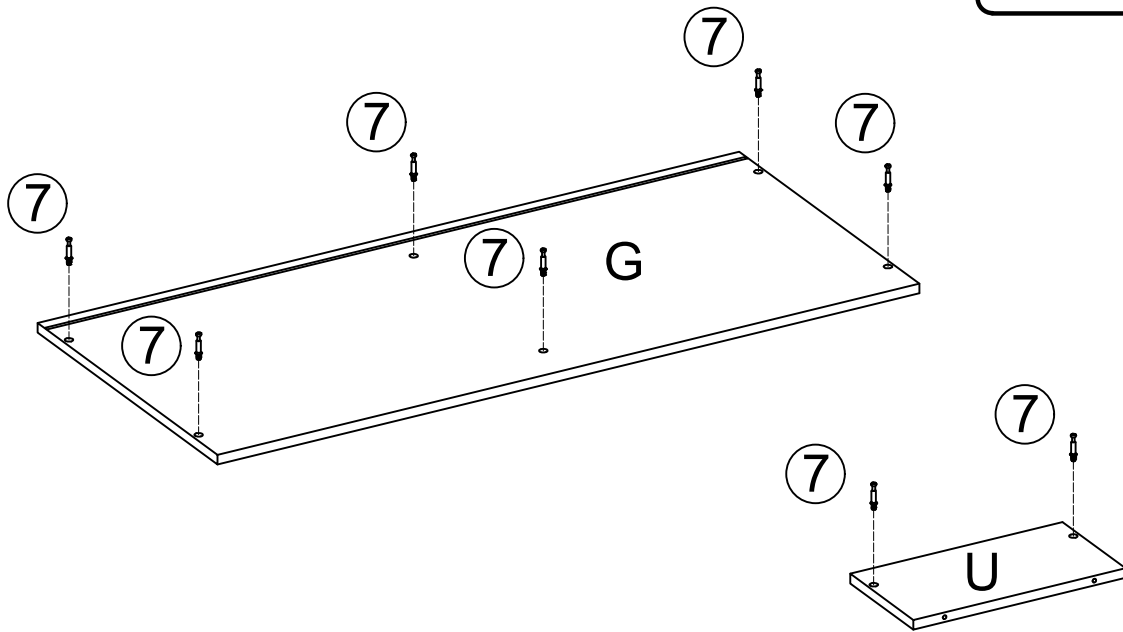
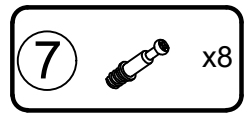
Keep the holes of the  
Part J as shown



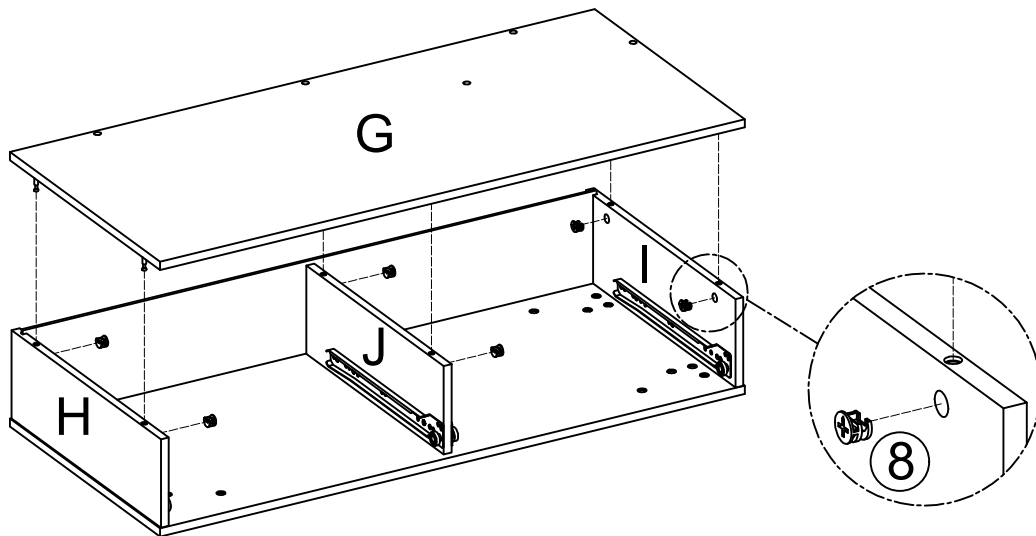
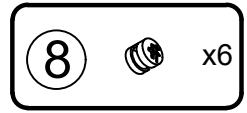
## STEP 16



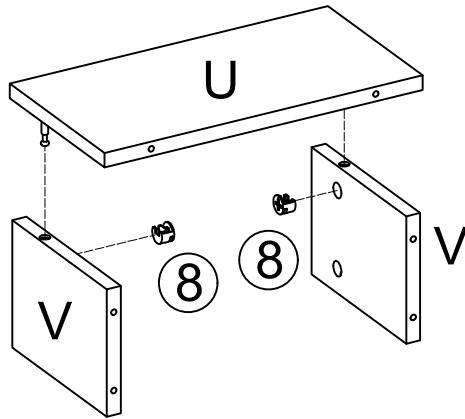
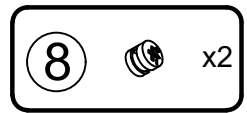
# STEP 17



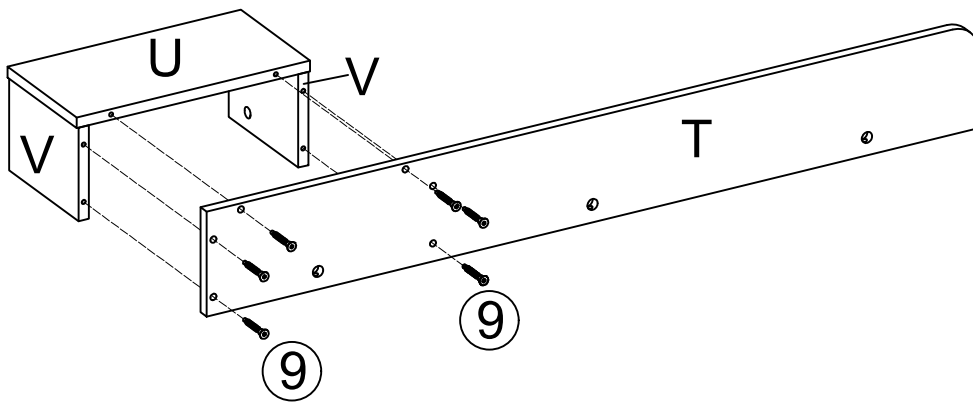
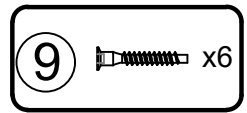
# STEP 18



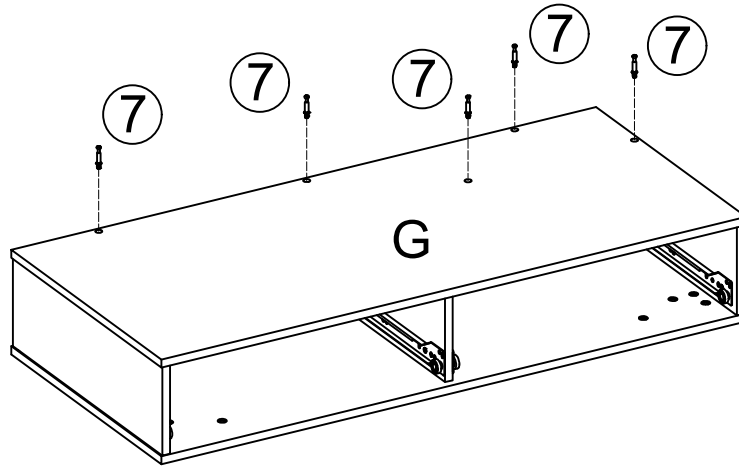
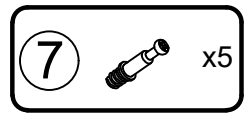
# STEP 19



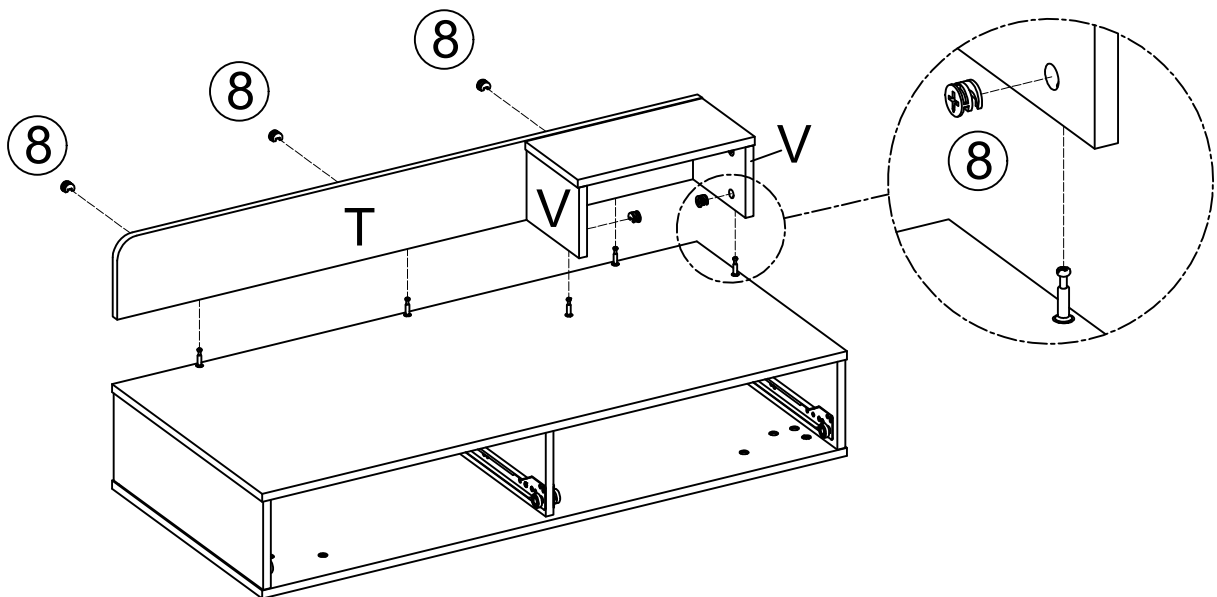
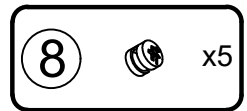
# STEP 20



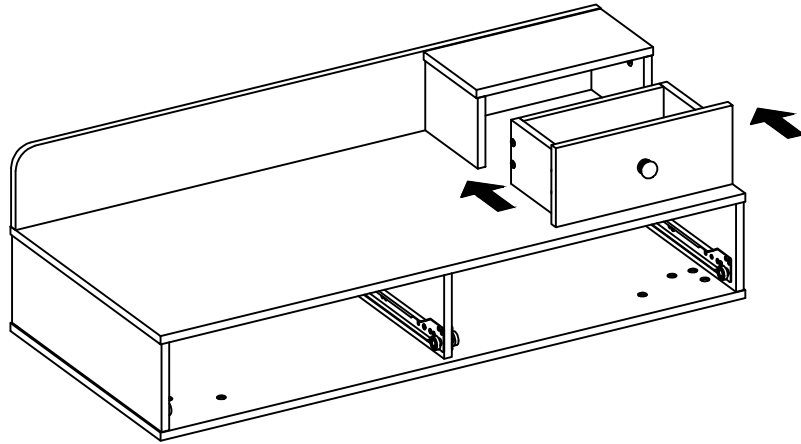
# STEP 21



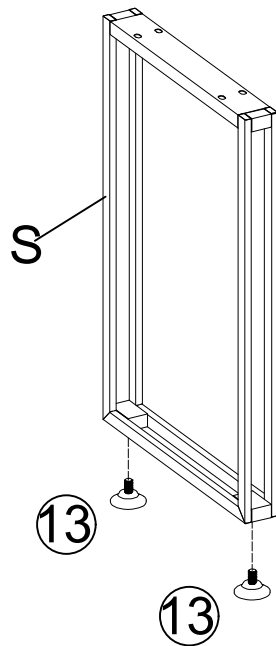
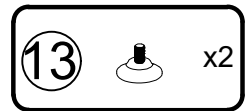
# STEP 22



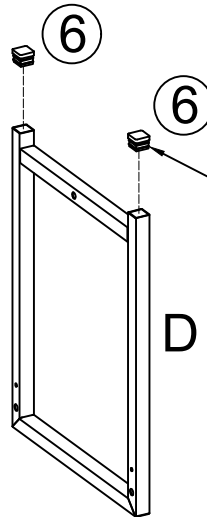
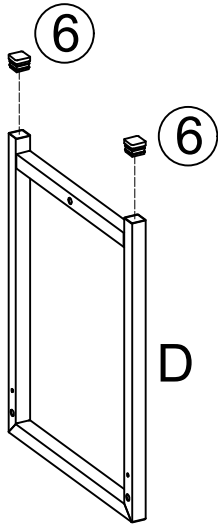
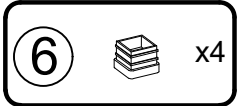
**STEP 23**



**STEP 24**

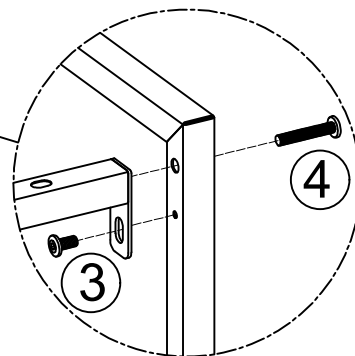
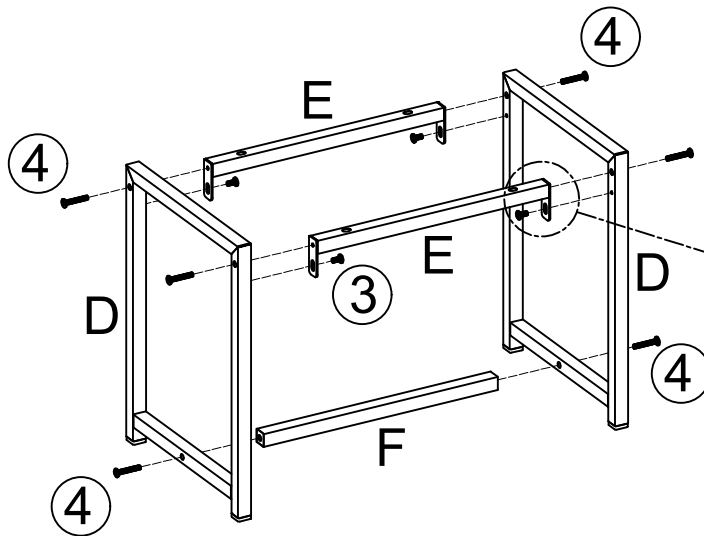
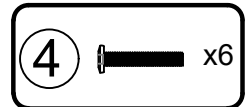
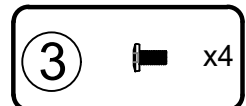


## STEP 25

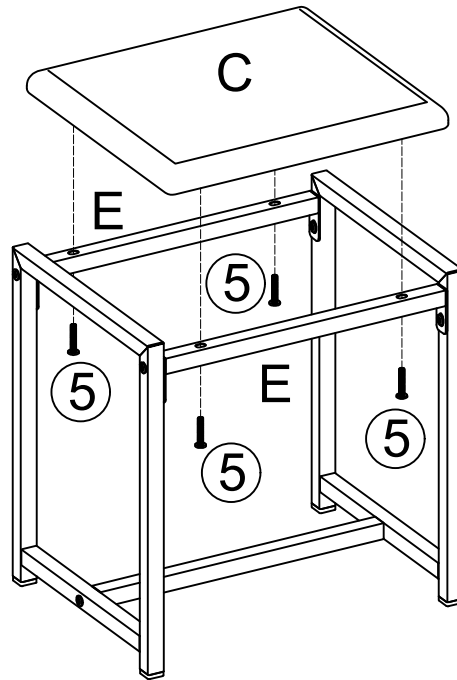
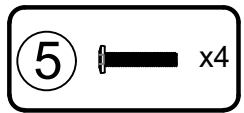


*Please use a hammer or solid tools (not included) to knock the plastic pads into the frame.*

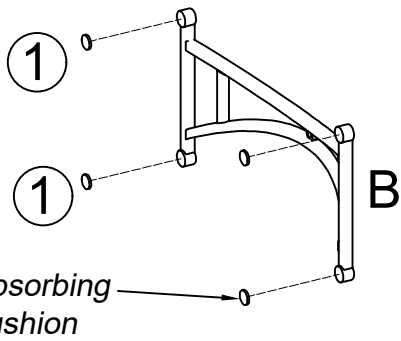
## STEP 26



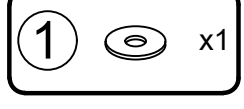
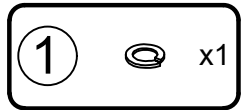
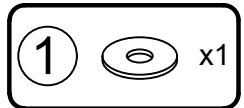
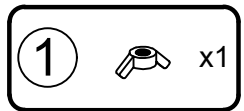
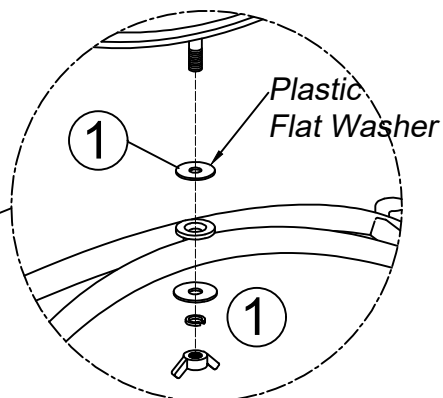
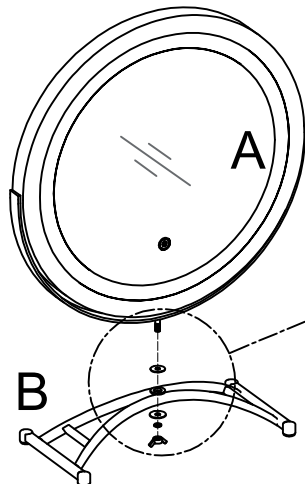
# STEP 27



# STEP 28

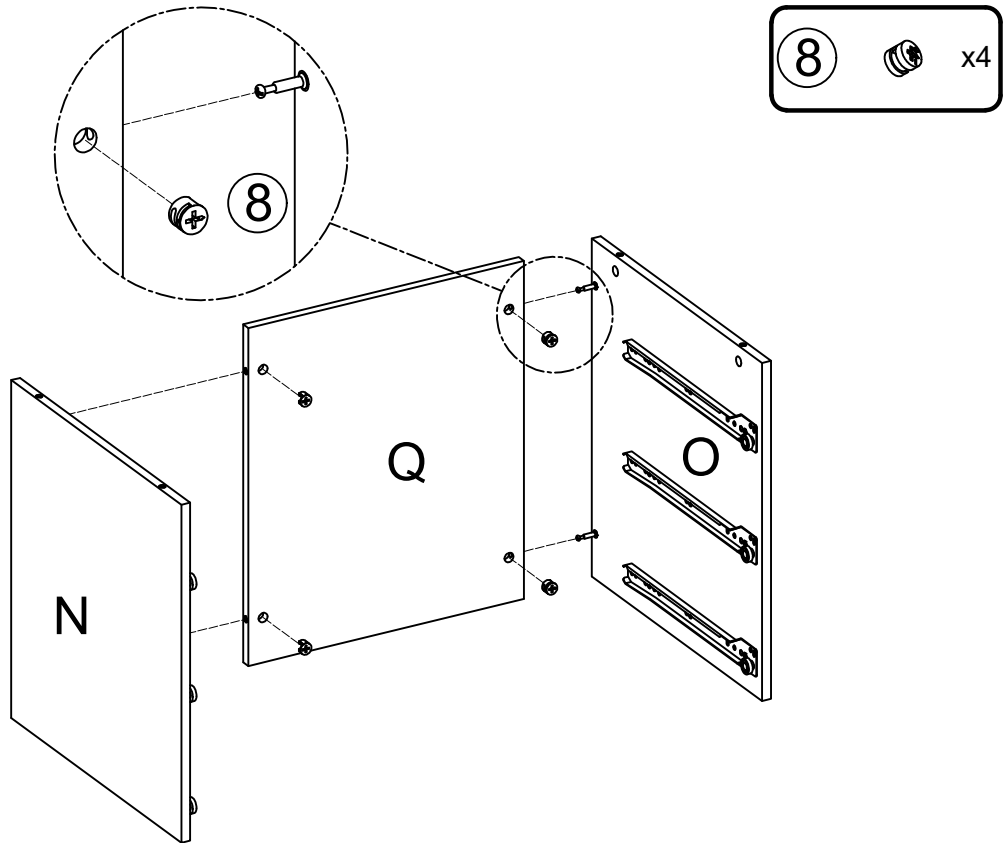


Shock-absorbing  
Foam Cushion

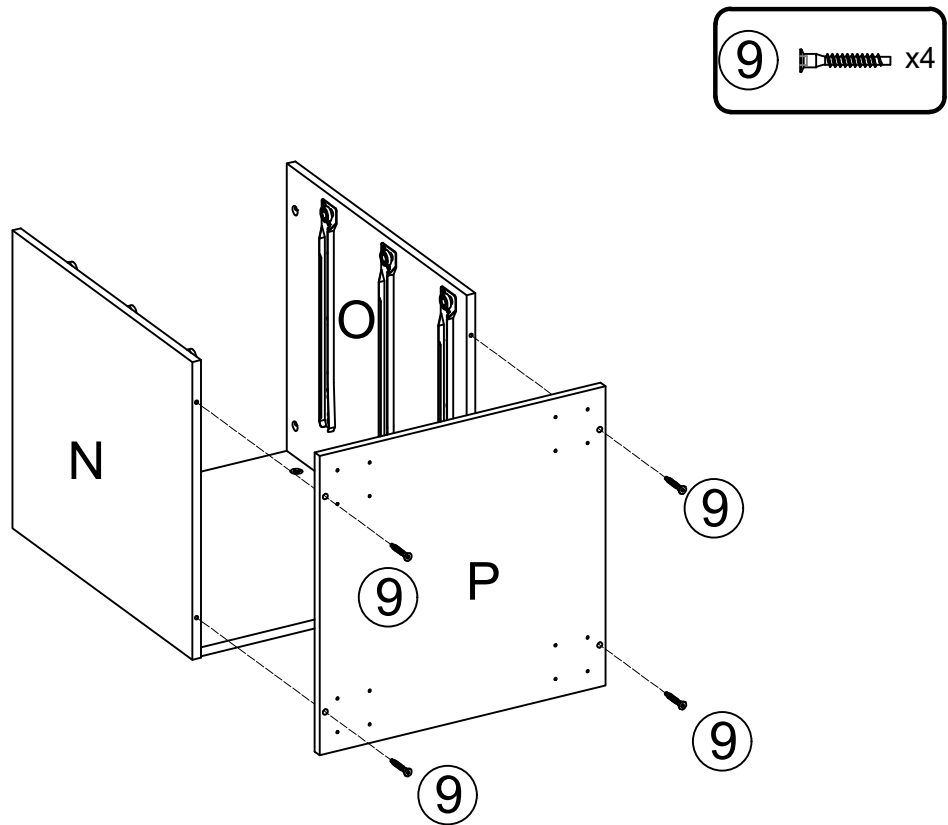





**STEP 31**

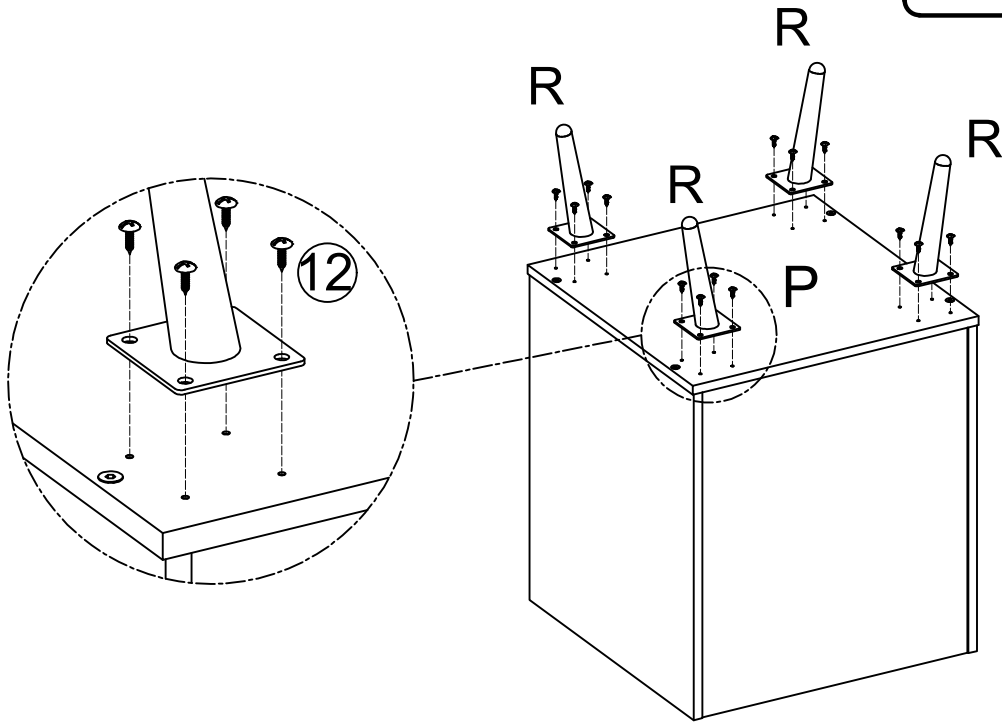


**STEP 32**




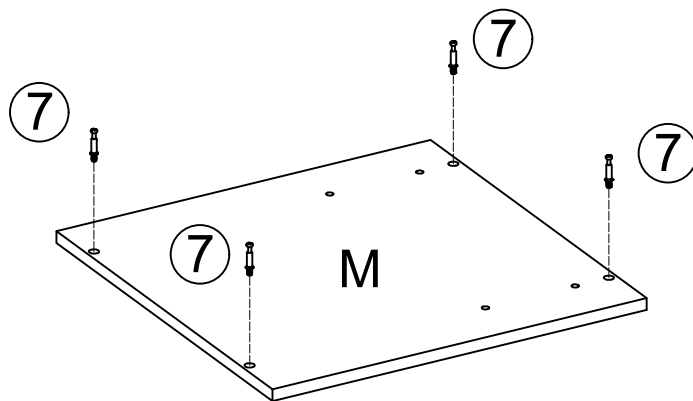
**STEP 33**

12  x16



**STEP 34**

7  x4

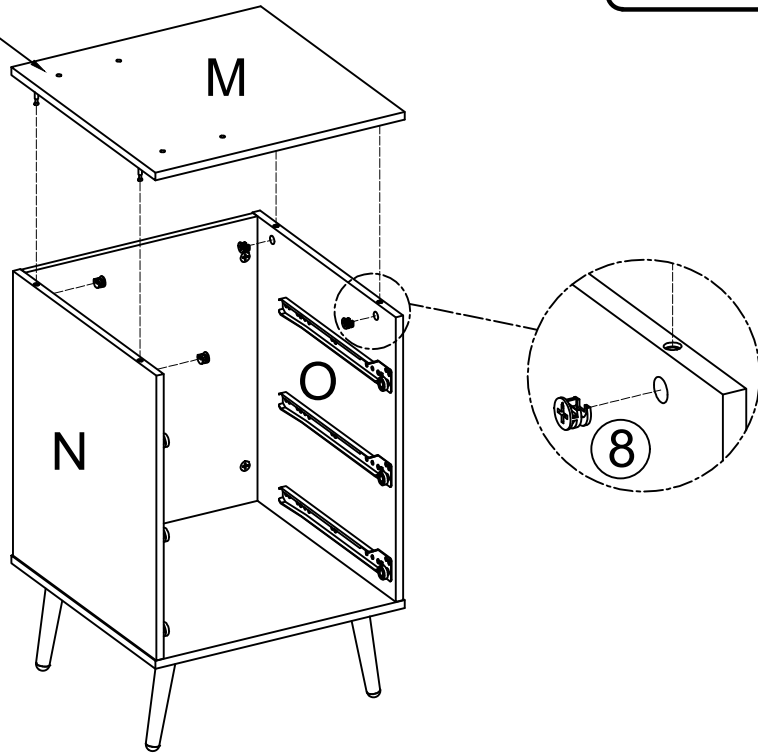
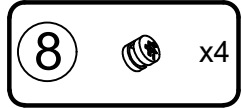


# STEP 35

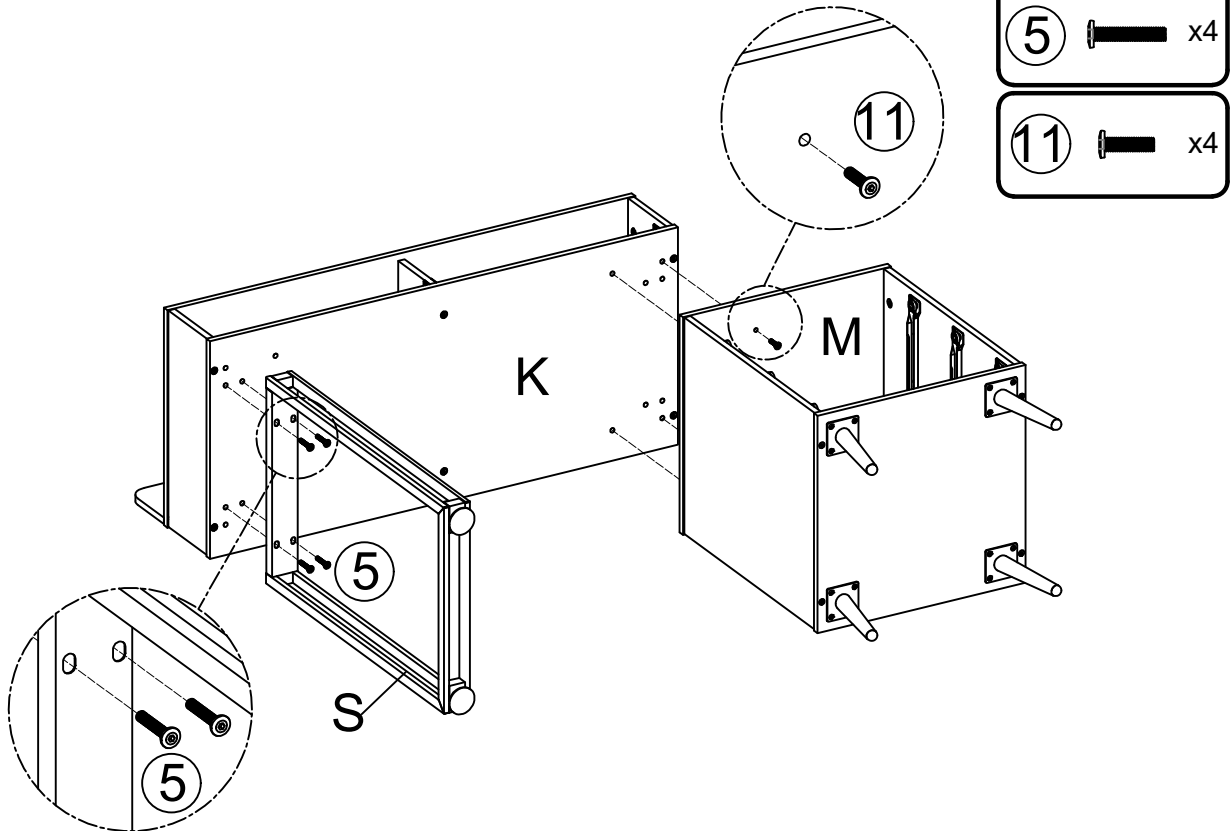
Option A



Keep the holes of the Part M as shown.

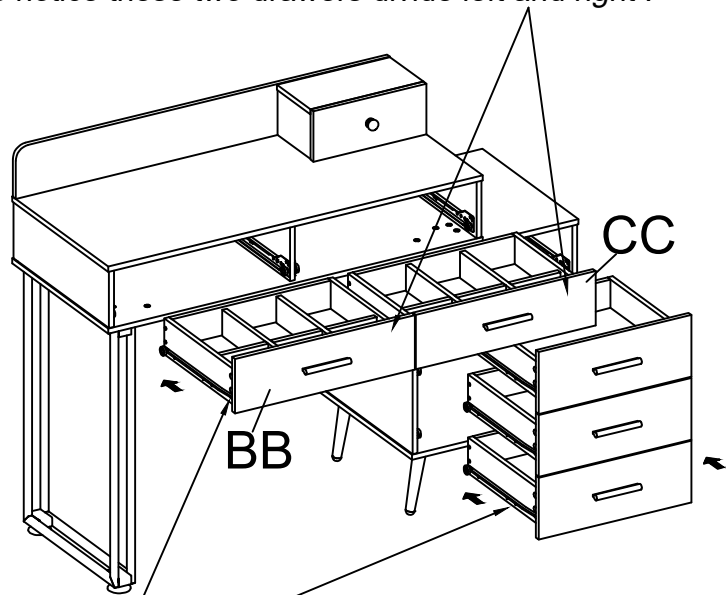
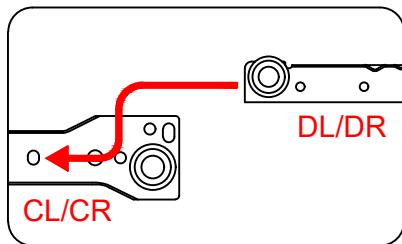


# STEP 36



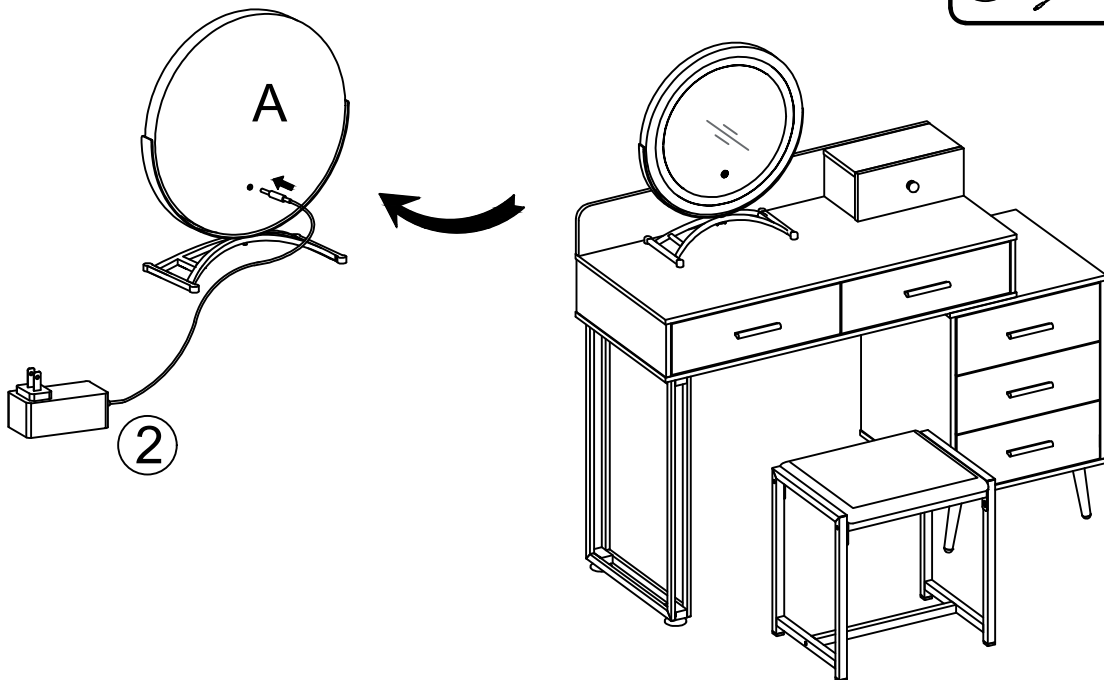
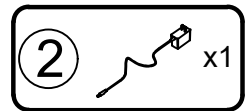
## STEP 37

Please notice these two drawers divide left and right .



Please put the wheels align with the slots as the instruction shows, then slide into them


## STEP 38

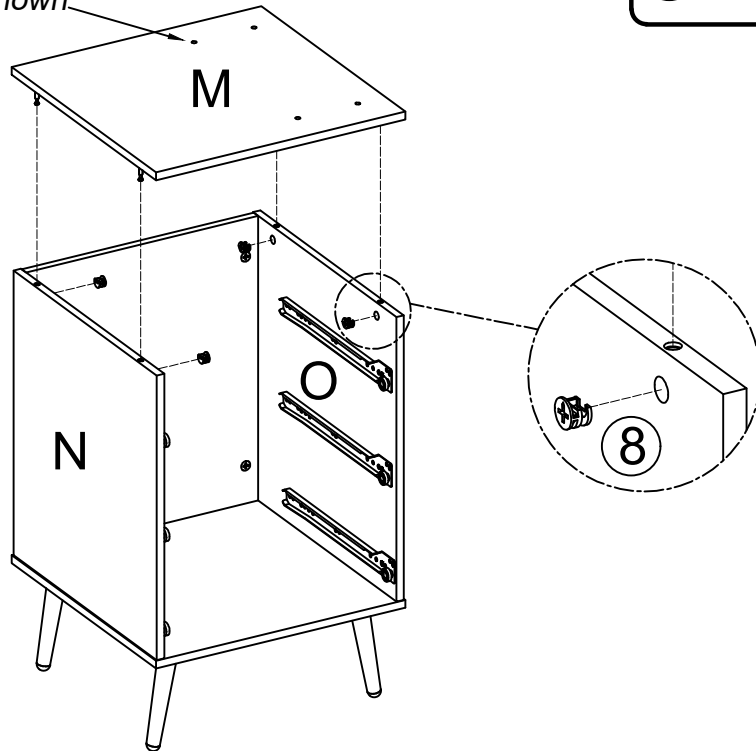


# STEP 35


# Option B


Keep the holes of the Part M as shown

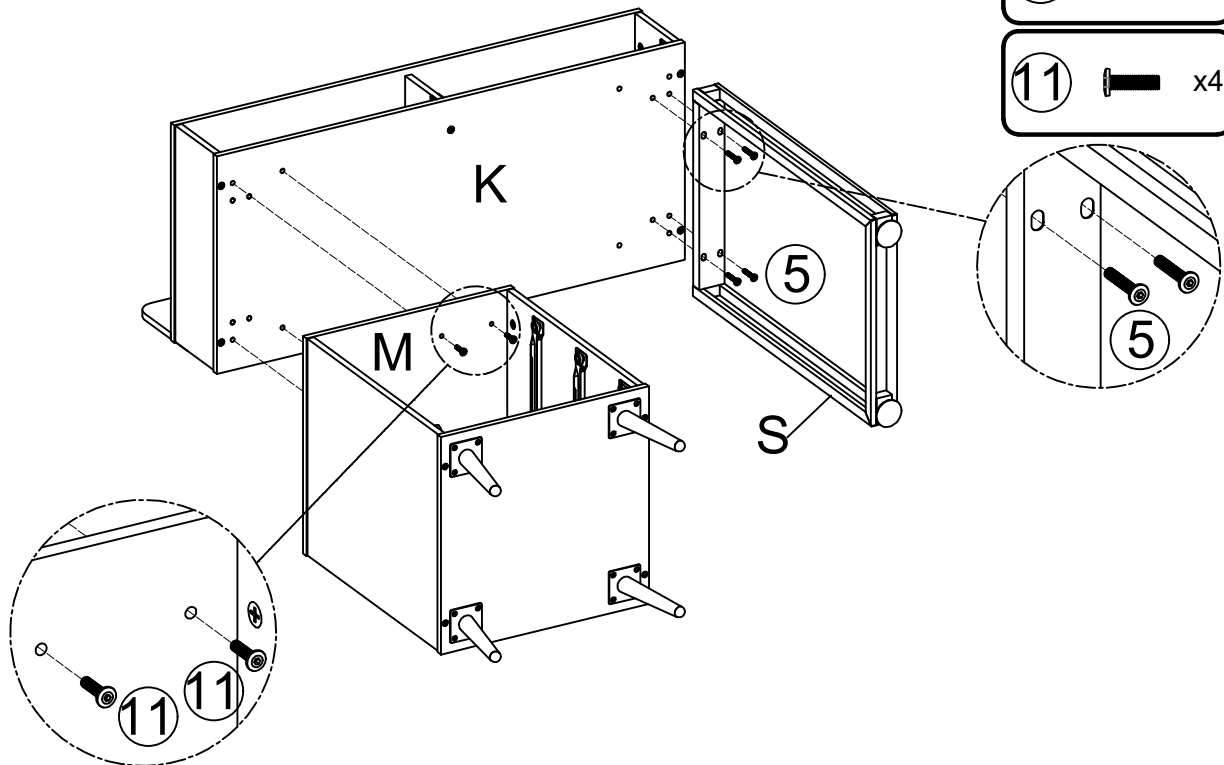
**8**  x4



# STEP 36

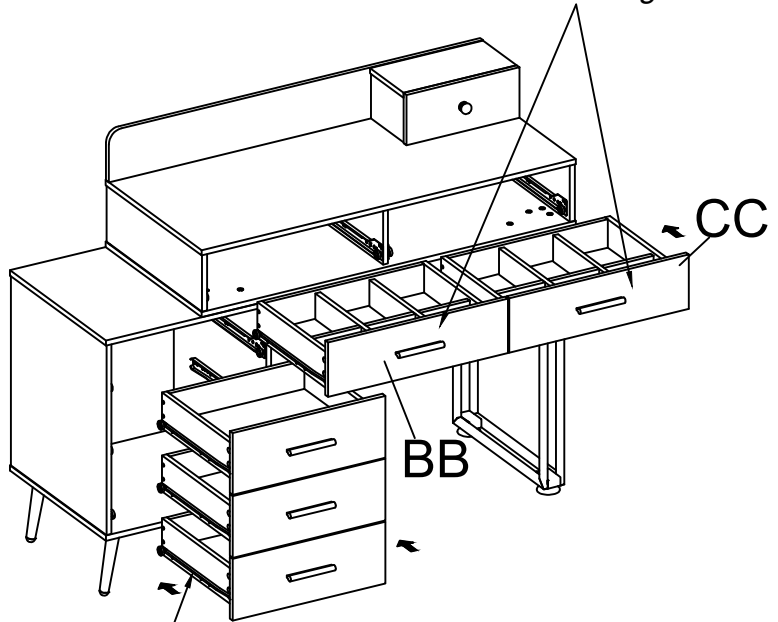
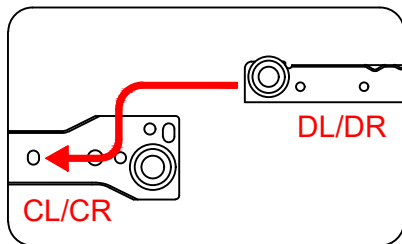
**5**  x4

**11**  x4



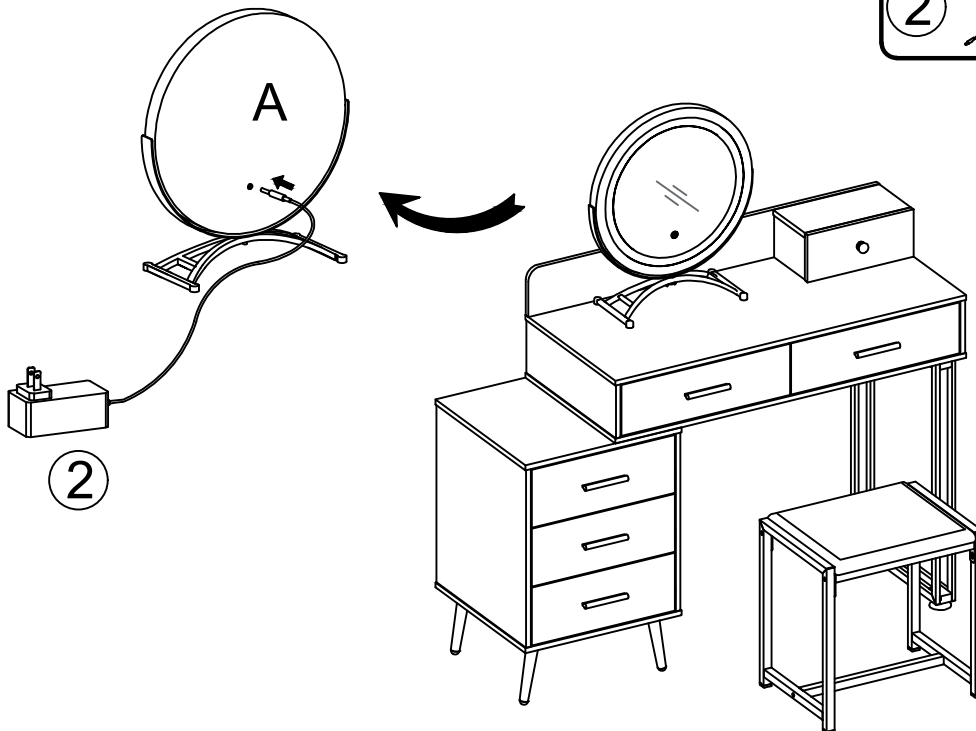
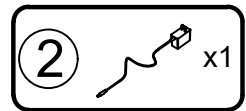
## STEP 37

Please notice these two drawers divide left and right .



Please put the wheels align with the slots as the instruction shows, then slide into them

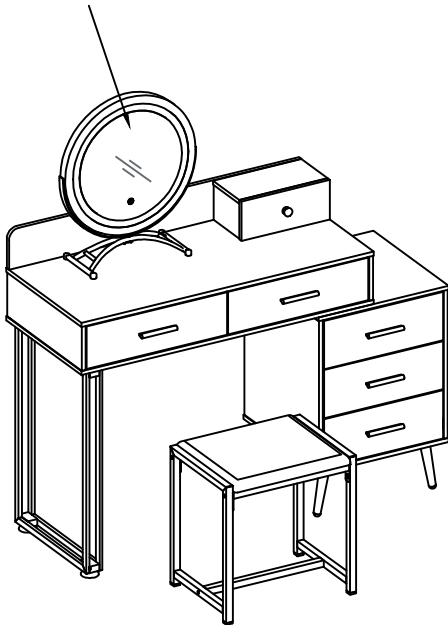
## STEP 38



# MIRROR LIGHT INSTRUCTION

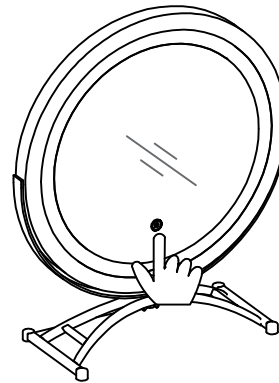
**1**

*Please tear off the protective film before using the mirror.*



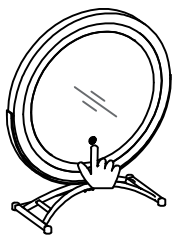
**2**

*Touch the button(sensor switch) on the screen to turn on the lamp.*

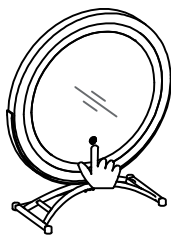


**3**

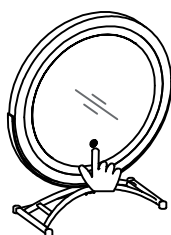
*The LED lights are adjustable in 3 colors, Touch the button to switch the modes.*



*Warm Light*

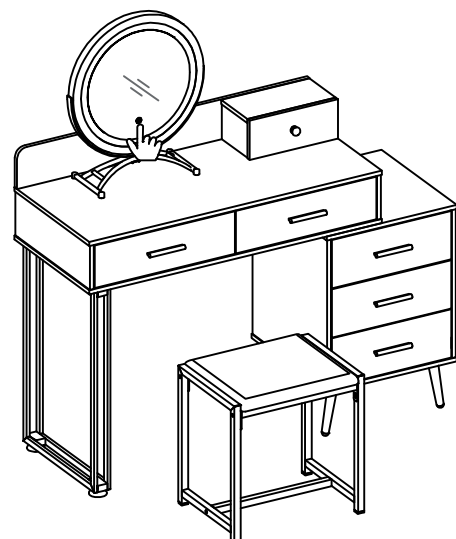


*Natural Light*



*Cold Light*

**4**



*LONG PRESS TO ADJUST THE BRIGHTNESS*