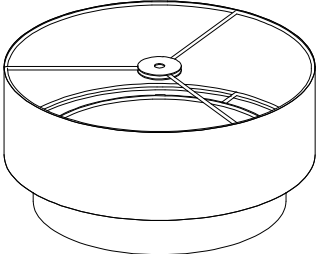

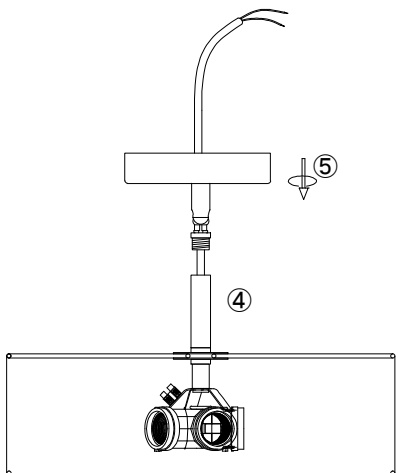
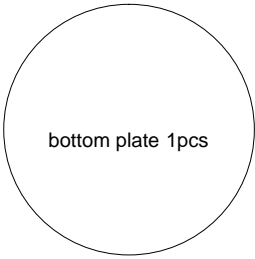
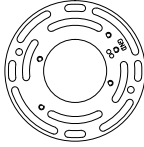
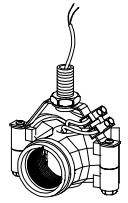



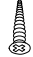
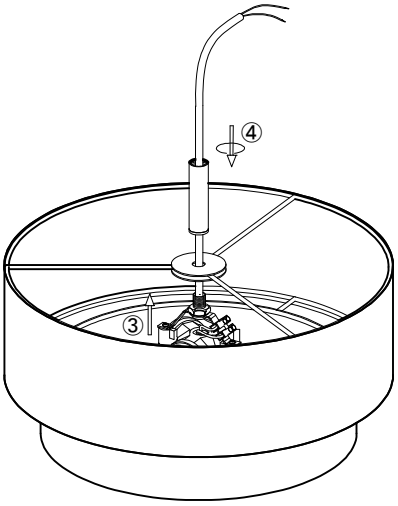
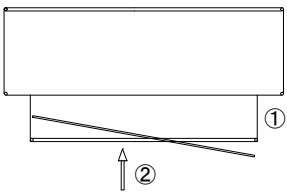


<p>①</p>	 <p>fabric lampshade 1pcs</p>	<p>④ hanging tube 1pcs</p>	<p> Please operate with gloves to avoid leaving stains on the lampshade.</p>  <p>① Pull down the inner layer of the lampshade to a horizontal position.</p> <p>2. Rotate to install the canopy ⑤ to the fixture. 3. Pull down the inner layer of the lampshade to a horizontal position.</p>
<p>②</p>	 <p>bottom plate 1pcs</p>	 X 1PCS	
<p>③</p>	 <p>light fixture: 1pcs</p>	 X 3PCS  X 3PCS  X 3PCS  X 3PCS	



①

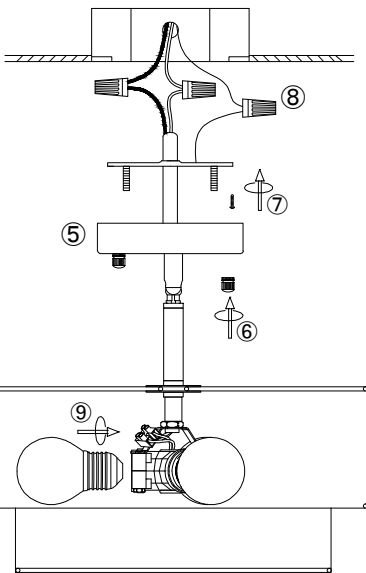
1. Let the wire of the fixture ③ go through the lampshade ① and tube ④, rotate to fasten all parts together.



①

②

Put the bottom plate ② at an angle into the fabric lampshade ①, then adjust it to level.



⑧

⑦

⑤

⑥

⑨

suggest to use G45 ping pong bulb

4. Install the bracket to the ceiling junction box with screw ⑦.  
5. Connect the wire to the home line with cap connector ⑧.  
6. Install the fixture to the bracket with cap nut ⑥.  
7. Install the bulb ⑨.

Please read carefully before installation!!!

Note : Please make sure that the electricity is powered off during installation !

Only a professional electrician should install this kind of product !