

INSTRUCTIONS

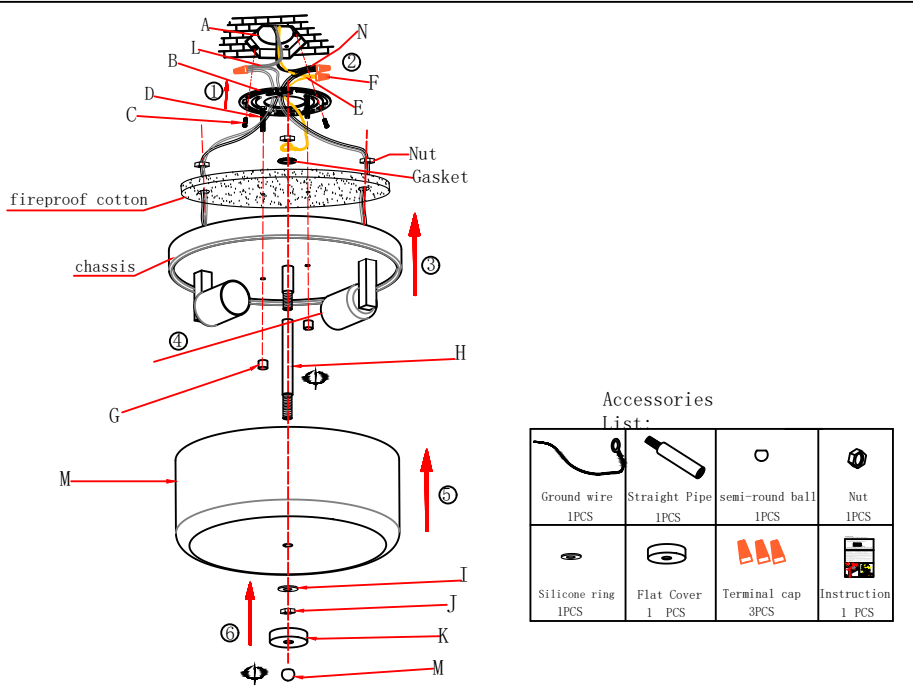
3. Finish lamp installations according to below instructions

Accessory Name:

- | | | | |
|----------------------------|----------------------|------------------|------------------|
| A. Original electrical box | B. Mounting plate | C. Screw | D. Bracket Screw |
| E. Ground wire | F. Terminal cap | G. Fixed Screw | H. Straight Pipe |
| L. Live wire (black) | N. Zero line (white) | I. Silicone ring | J. Nut |
| K. Flat Cover | M. Semi-round ball | | |

Installation Manual:

- 1: Open the package, take out the chassis and glass, remove the circular hanging plate, then fix the circular hanging plate in the screw hole of the installation position with the matching screws
- 2: Connecting the two L wires marked on the lamp to the live wire of the power supply, connecting the two N wires to the neutral wire of the power supply, and connecting the bare copper wire to the ground wire of the power supply using the wiring cap in the attachment
- 3: The plate screw is aligned with the small hole on the chassis, the chassis is fixed on the circular plate, then the nut is screwed on the plate screw and tightened to fix the lamp
- 4: Install suitable bulb into lamp holder and tighten.
- 5: Screw the straight tube on the tooth rod in the center of the chassis and tighten it, and then put the glass into the tooth rod at one end of the straight tube, and then install a silicone ring and tighten it with a nut to fix the glass cover on the chassis
- 6: Put the flat cover into the tooth rod, and then tighten the lamp with the semi-round ball to complete the installation



Accessories List:

Ground wire 1PCS	Straight Pipe 1PCS	semi-round ball 1PCS	Nut 1PCS
Silicone ring 1PCS	Flat Cover 1 PCS	Terminal cap 3PCS	Instruction 1 PCS

RELATED TO INSTALLATION

i. GENERAL

1. To ensure the success of the installation, be sure to read these instructions carefully before beginning.
 2. Before installations, prepare the required tools, such as Blade screw driver, Adjustable wrench, Step ladder, Wire cutter.
 3. All electrical connections must be in accordance with the National Electrical Code. Qualified licensed electricians are required to conduct the installation of electrical wiring.
 4. The outlet box that is connected to the lighting must be directly supported by the building structure.
 5. Before starting the installation, disconnect the power to prevent electrical shock.
- NOTE: The important safeguards and installations appearing in this manual are not meant to cover all possible conditions and situations that may occur. It must be understood that common sense, caution, and care are factors which can not be built into any product. These factors must be applied by the person(s) caring for and operating the fixture.

ii. CAUTION

1. Rated 120V/60HZ, bulb 60W maximum.
2. Care should be taken to avoid damage to the surface of lighting and wire, wearing gloves are recommended when installing.
3. Keep lighting away from acid, alkali and other corrosive chemical or gas, clean the lighting with clean soft cloth only.
4. Installation must be carried out by qualified electrician only.
5. Disconnect the power before installing, cleaning and replacing lighting.
6. Never cover the lighting when power is connected.

INSTRUCTIONS

1. Take out all lamp parts. The picture below shows the exact items that you receive in this product. Please note that this picture may look different from the computer generate part table. The parts in the part table are not assembled but some parts in this part picture are assembled, so there may be fewer items in the picture than in the table.

2. Part Table

Please note: The parts in this table are completely unassembled, for illustrative purpose. In the actual product that you receive, some parts are assembled and attached together.

