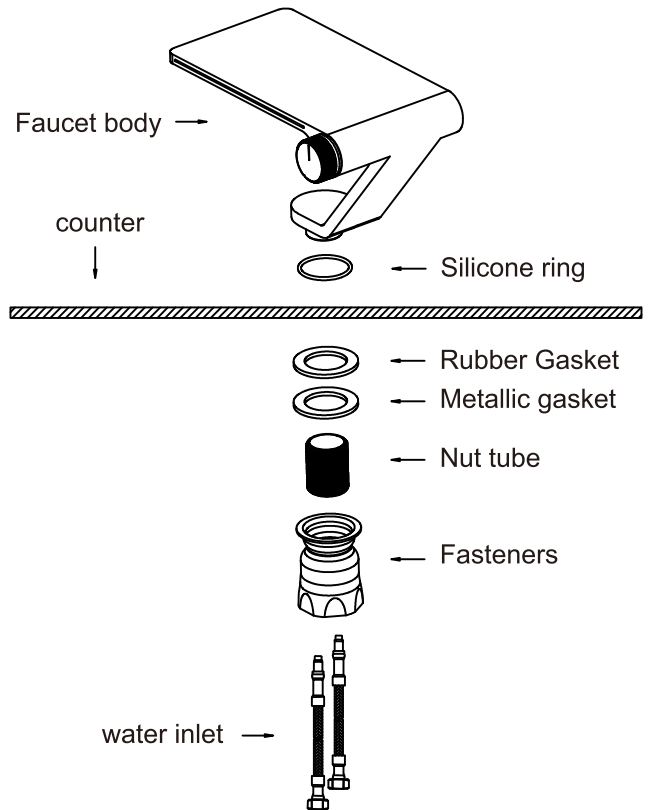


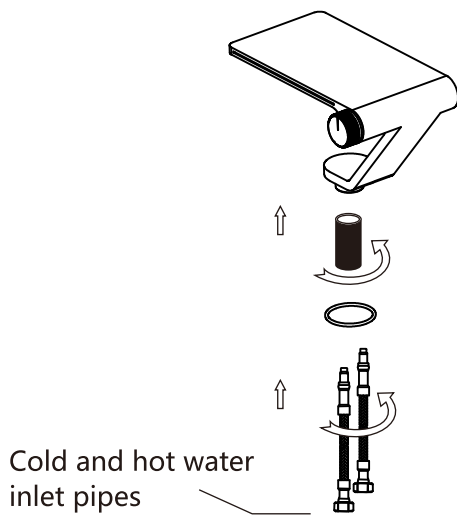
INSTALLATION GUIDE

Schematic diagram

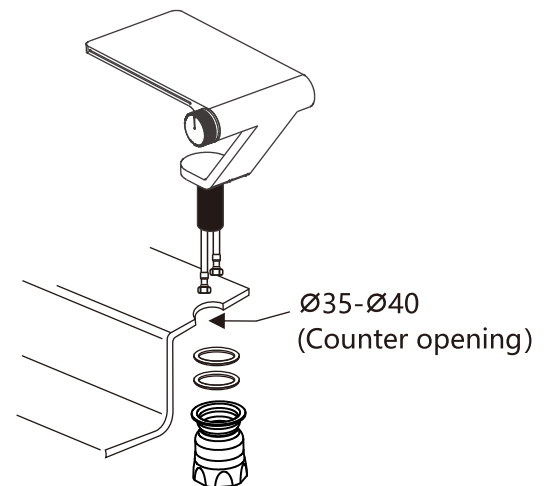


Installation process

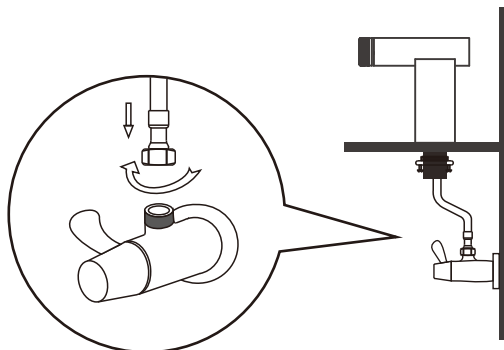
- 1** Open the water source and remove the mud and sand from the water pipe, Clean and flush out the dirt.
- 2** Connect water inlet Tube



- 3** Tighten the fasteners



- 4** Connecting angle valve



- 5** Check the handle, rotate and adjust the water outlet effect, Installation completed.