



Size	Stainless Steel (30"/36")	Chimney Extension	Filter (replacement)	NON-DUCTED FILTERS
30 /36in		WRHCE02	1215/1119	WRHF005S2

Specifications

Description	30/36" 400 CFM Max Velocity Convertible Wall Mount Range Hood
Mount Type	Wall Mount
Size	29.3"/35.4" W x 18.7" D x 34.5" H
Ceiling Height	7.5-8.5 feet
Duct Dimension	6" round
Product Weight	29.8/35.1 lbs.
Exhaust Method	Convertible
Exhaust Location	Top
Power Source	Plug in
Voltage	120
Amperage	1.5 A
Residential Use Only	Yes
Certification	ETL (compatible w/UL and CSA)
Filter	Curved Mesh Filter
No. of Fan Speeds	3
Speed Control Type	Push Button
Max. Sound Level	5.5 sones
No. of Lights	2 LED
Bulb Wattage	2 W
CFM	400 (Max Velocity), 300 (Lab Test)
Compatible Ductless Filter	WRHF005S2
Installation Hdwe. Incl.	Yes
Flexible Duct Included	Yes

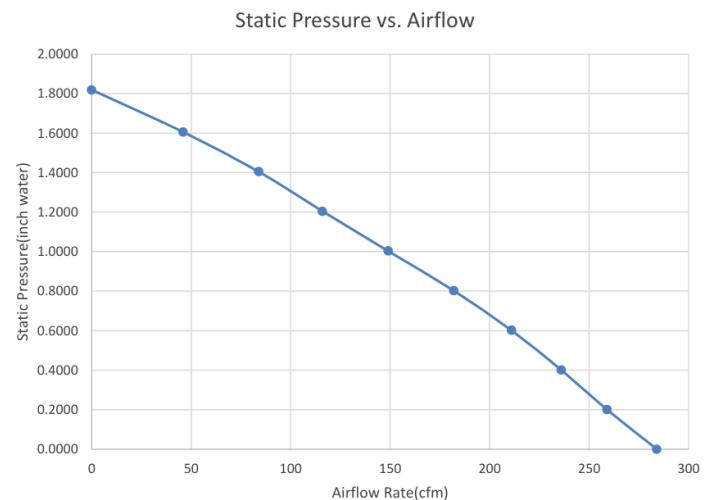
Warranty

2-Year Limited on parts

Scene Display

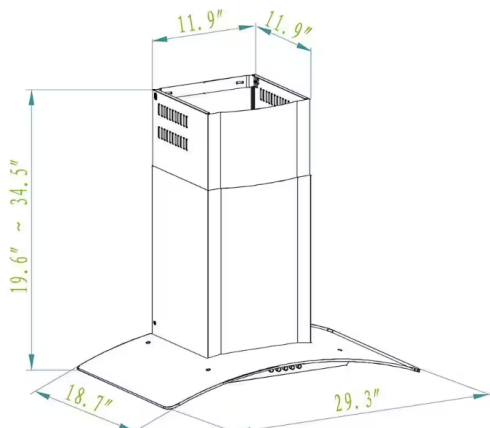


Plot of Static Pressure vs. Airflow



* Max velocity CFM of blower measure in open air environment*

30" drawing



T
E-Mail: support@winslyn.com

Website: <https://www.winslyn.com>
Company: Winslyn Industries

ADD:1850 East Fabyan Parkway Batavia, IL 60510

