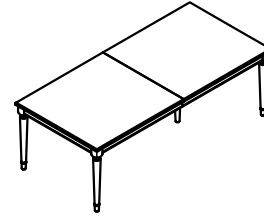


309-744B

Tel: 828-728-3261
www.americandrew.com



TOOLS REQUIRED:

Allen Wrench (supplied, part # D)

BEFORE YOU START:

1. Check the parts against the parts list to make sure all items are present.
2. Assemble your furniture on a soft, flat surface to avoid scratching the finish.
3. **CAUTION:** Do not over tighten screws, nuts or bolts during assembly.
4. Your furniture may require occasional tightening.

INSTRUCTIONS:

1. Attach 4 legs ① to top ③ using Bolt (A), Lock washer (B), Flat washer (C) and tighten with Allen Wrench (D).

Attach middle leg ④ by turning it to top. As shown in Figure 1.

2. If you want to use the additional Leaf ②, unlock the locks under the table top and pull the two sides apart. Place the leaf and push both side back. As shown in Figure 2.

3. Make sure the locks are in the "lock" position before using the table.

4. Adjust the leveler at bottom if necessary.

Figure 1

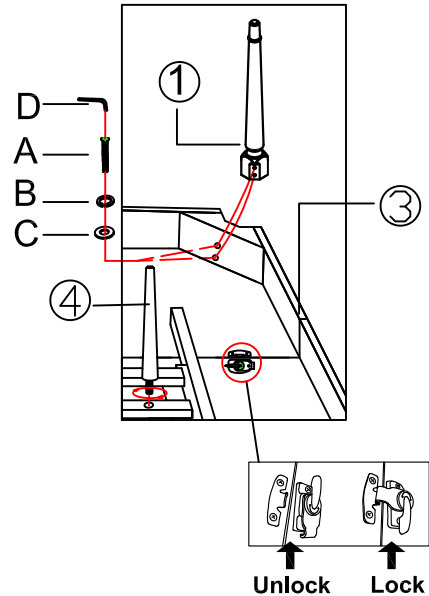
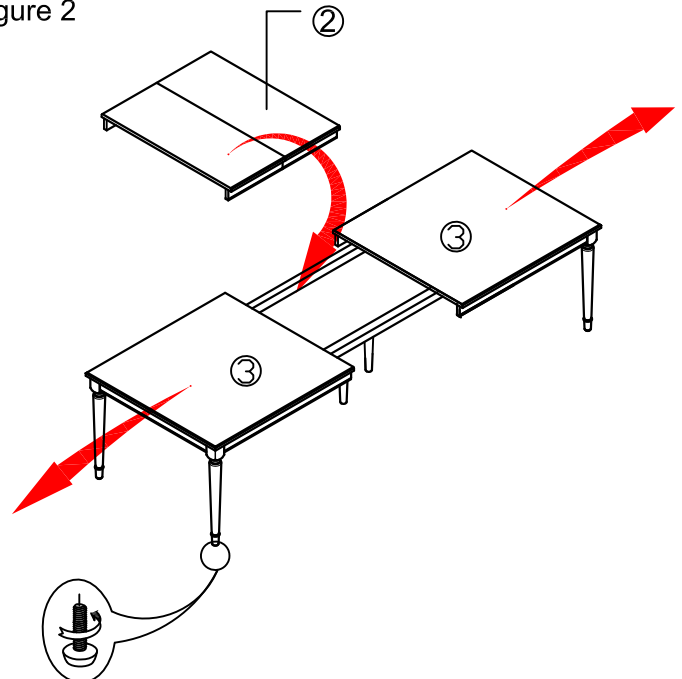






Figure 2



HARDWARE LIST

NO	DRAWING	DESCRIPTION	SIZE	Q'ty
A		Bolt	Ø5/16"x80mm	8pcs
B		Lock washer	Ø5/16"	8pcs
C		Flat washer	Ø5/16"	8pcs
D		Allen Wrench	100x50x4mm	1pc

Thank you for purchasing furniture
from american drew!