

[1] 1



2



3



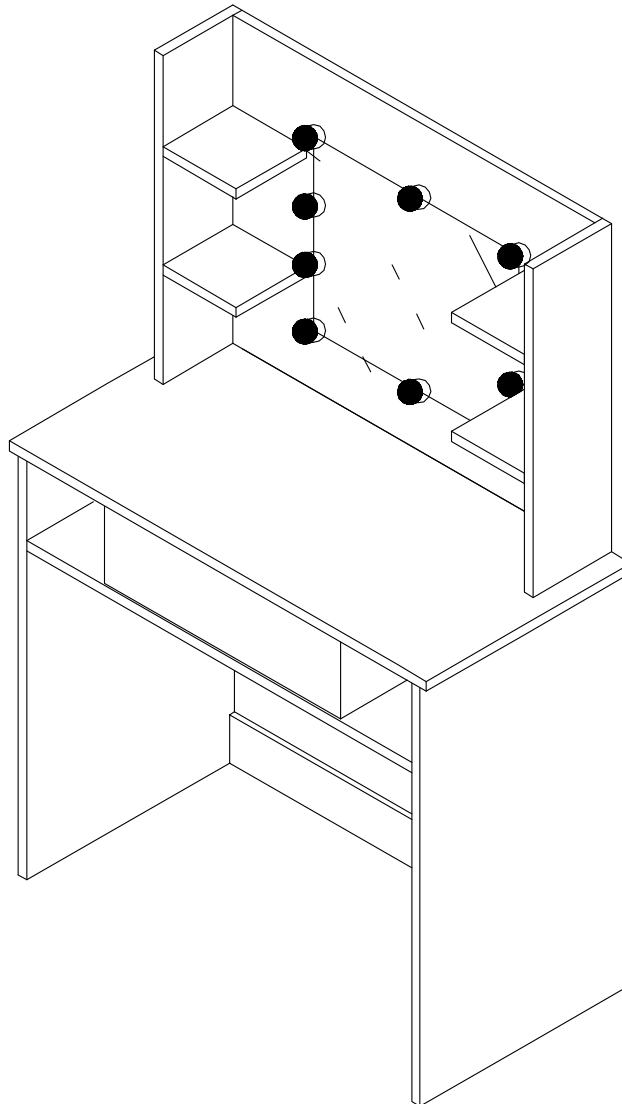
4





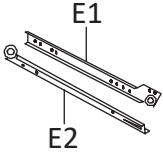



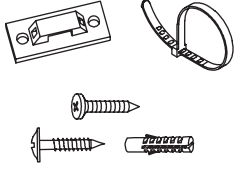
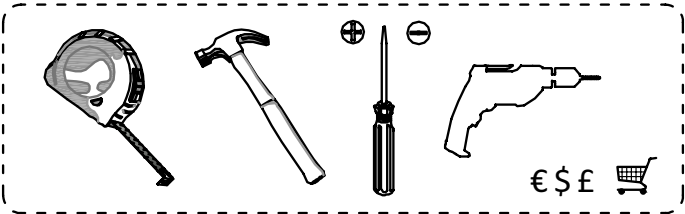
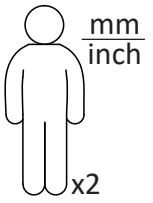


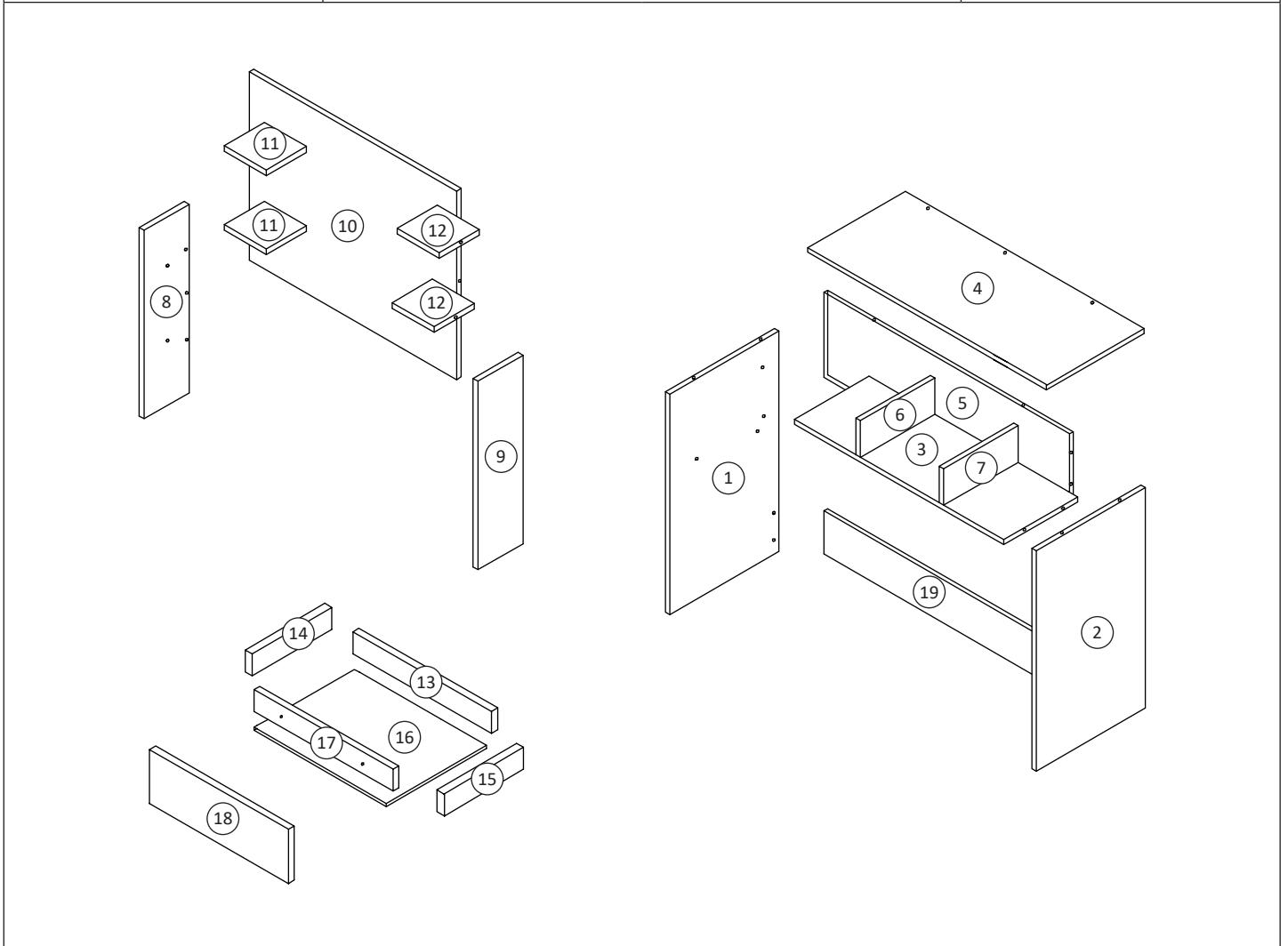
5


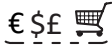



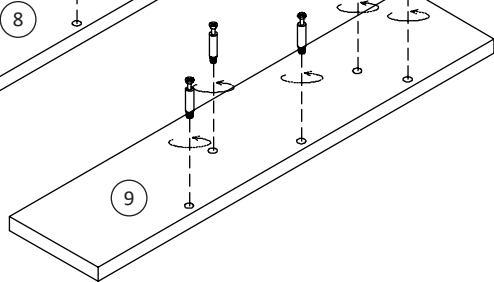
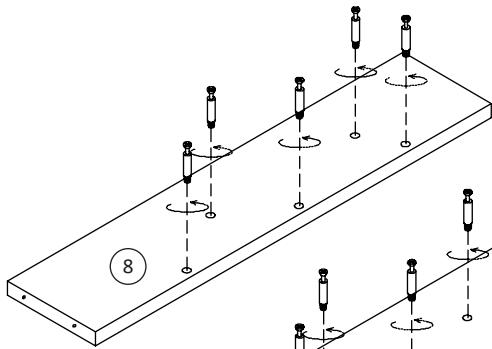
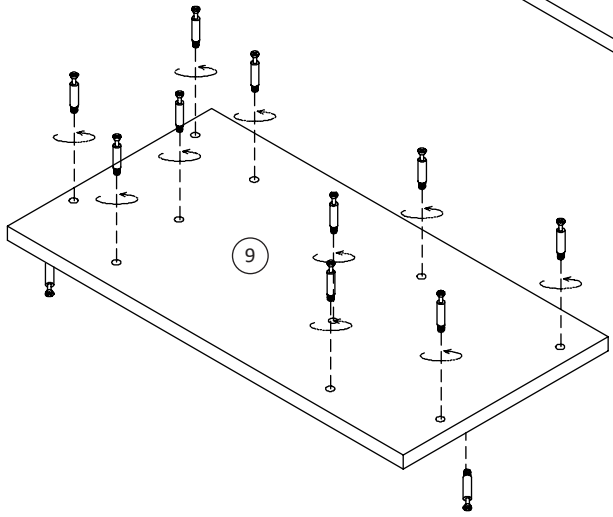
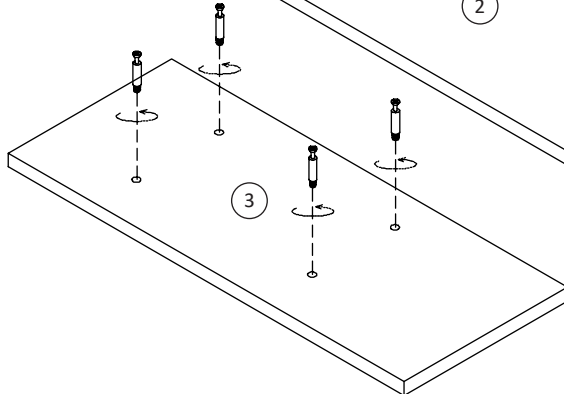
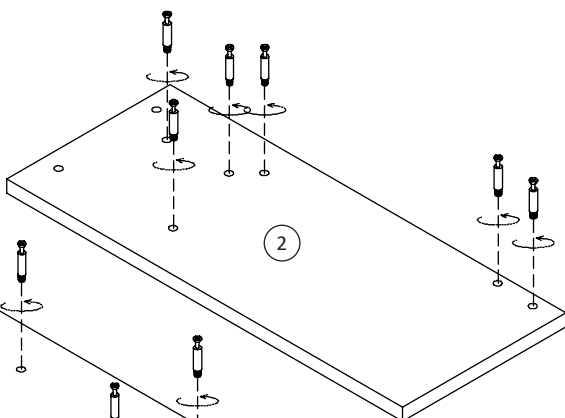
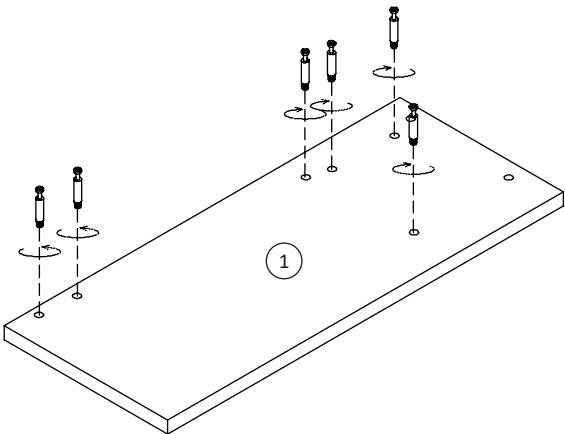
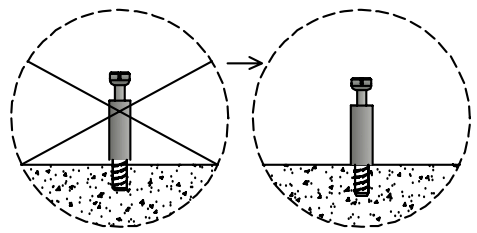
6

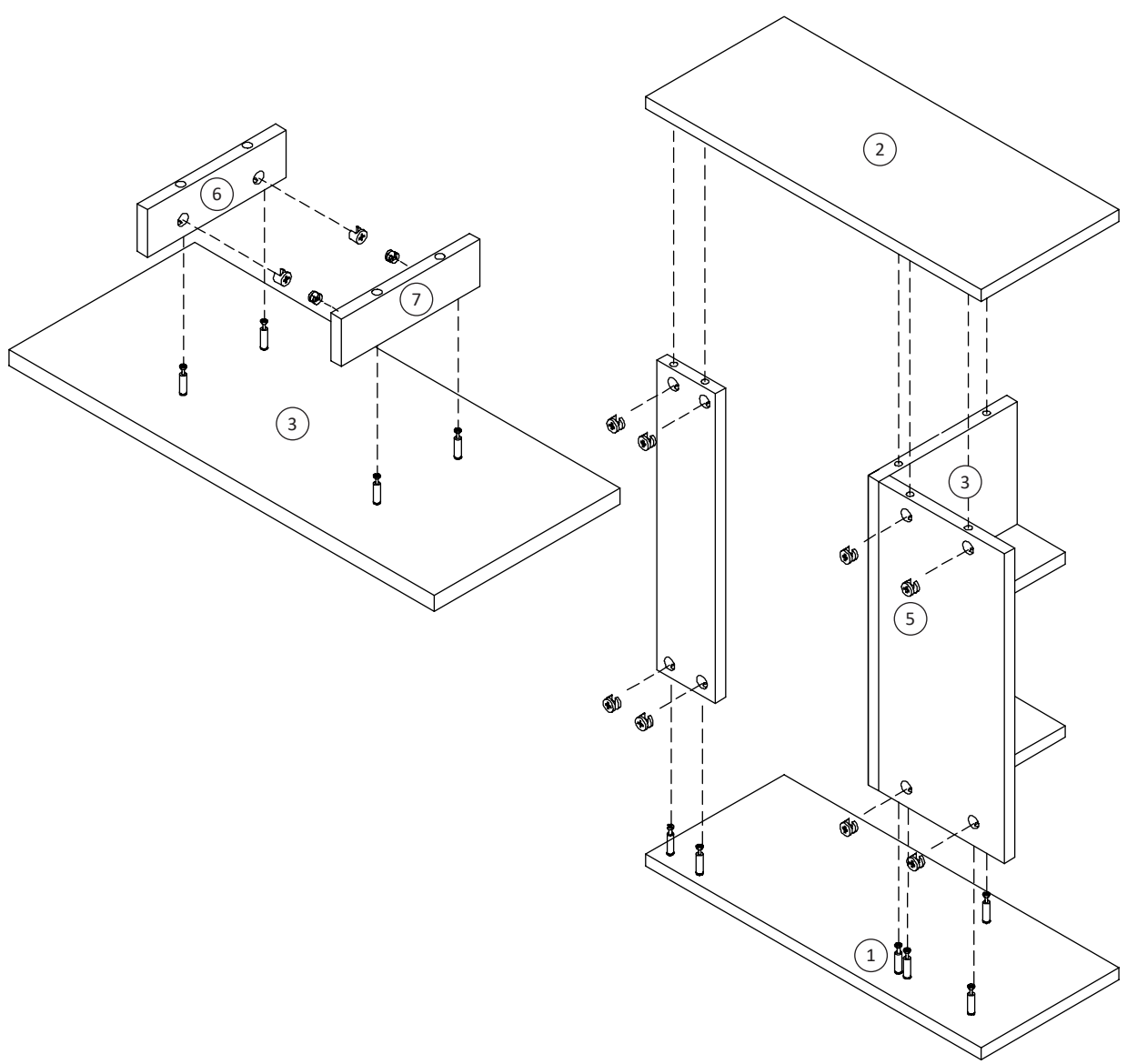
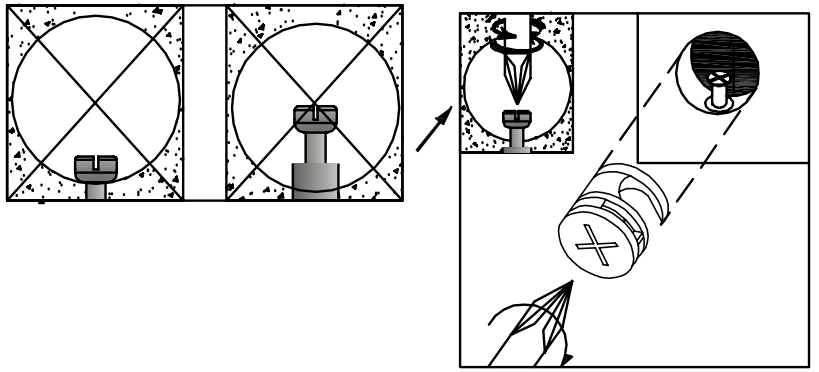
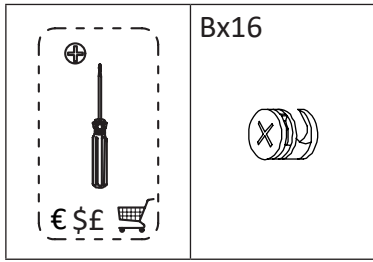






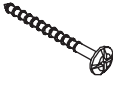
<p>Ax46</p> 	<p>Bx46</p> 	<p>Cx18</p>  <p>M3.5x $\frac{14}{0.6}$</p>	<p>Dx2</p>  <p>M4x $\frac{25}{1.0}$</p>
<p>Ex2</p> 	<p>Fx11</p>  <p>M5x $\frac{50}{2.0}$</p>	<p>Hx11</p> 	<p>Ix10</p> 
<p>Nx1</p> 			

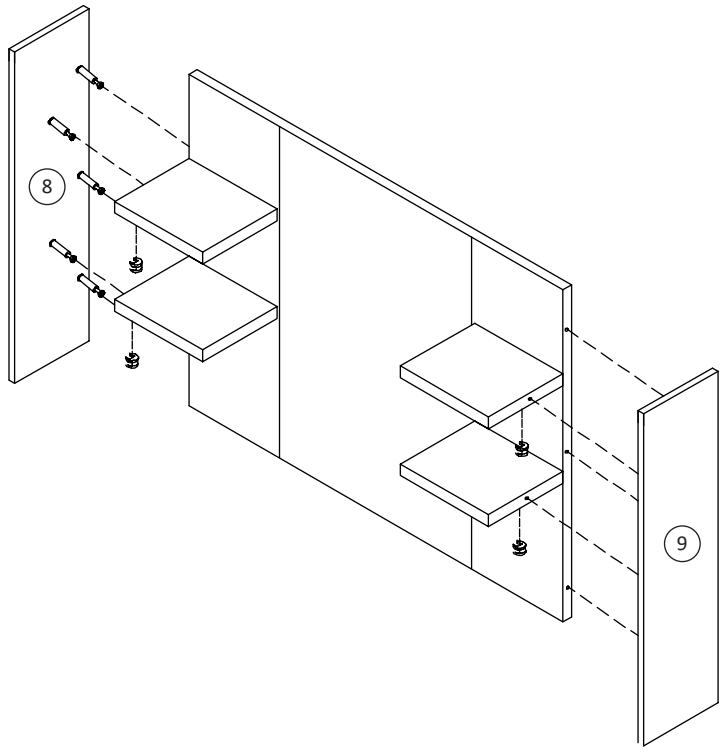
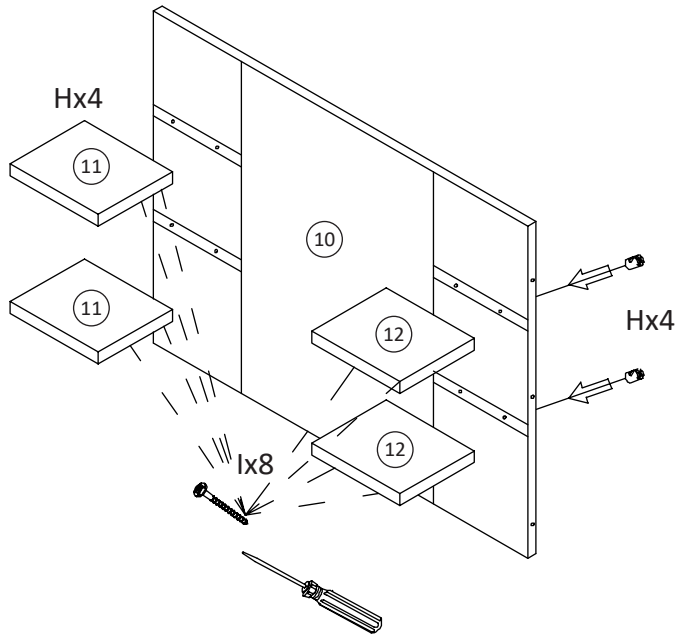
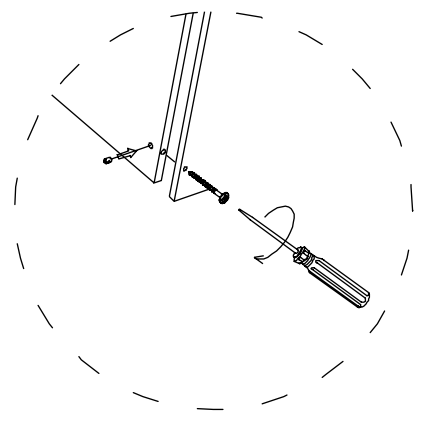


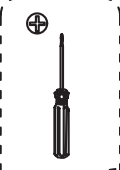
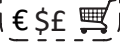
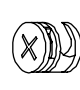

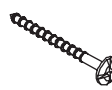
 	<p>Ax38</p> 
--	---

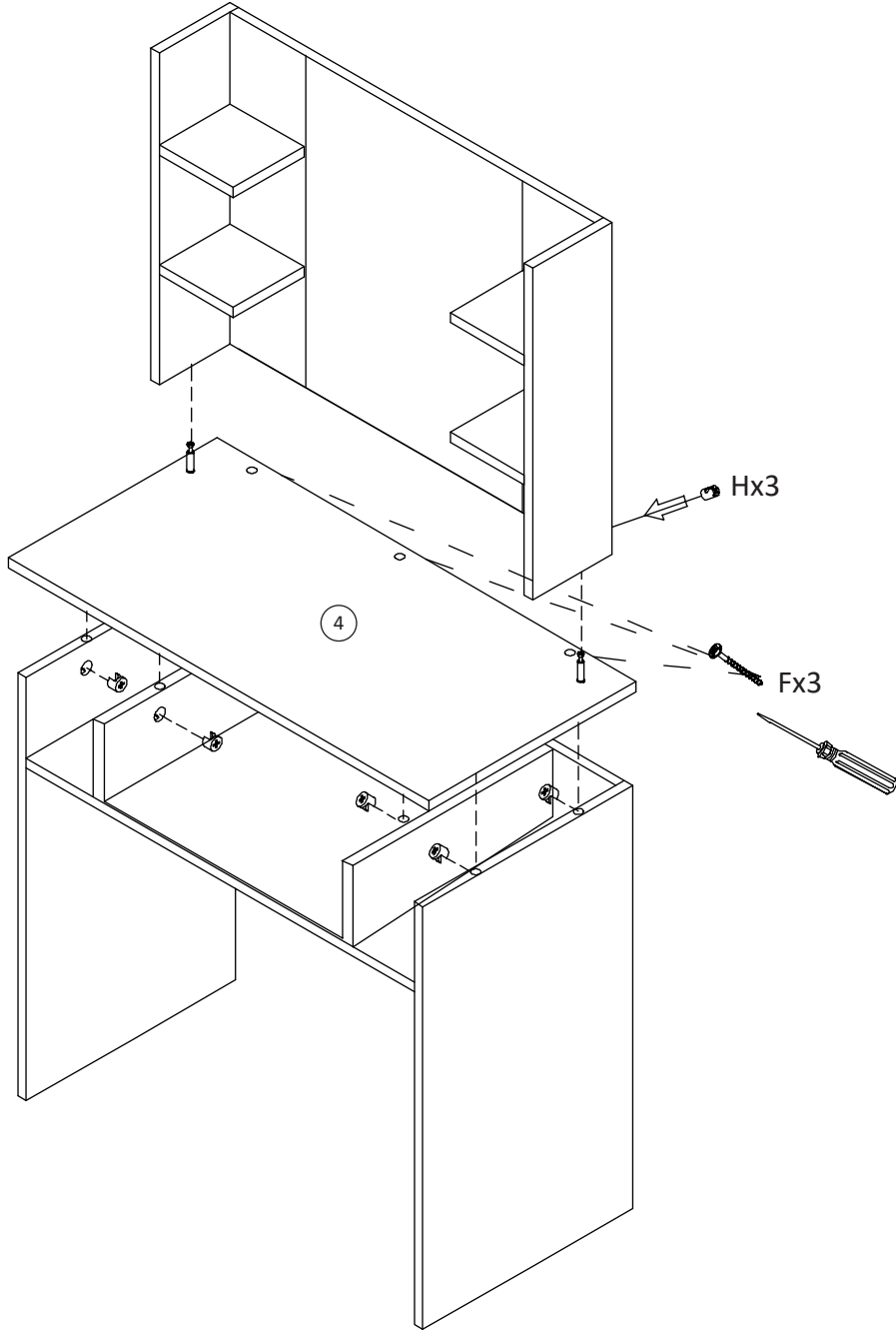
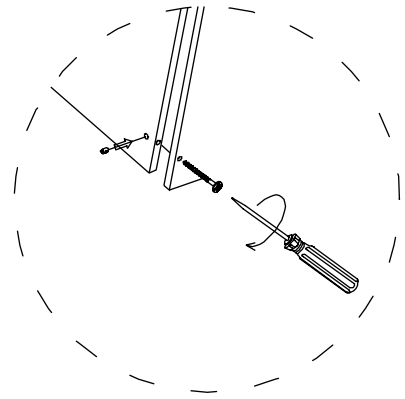


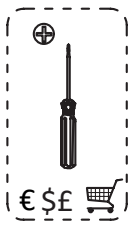




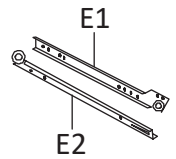


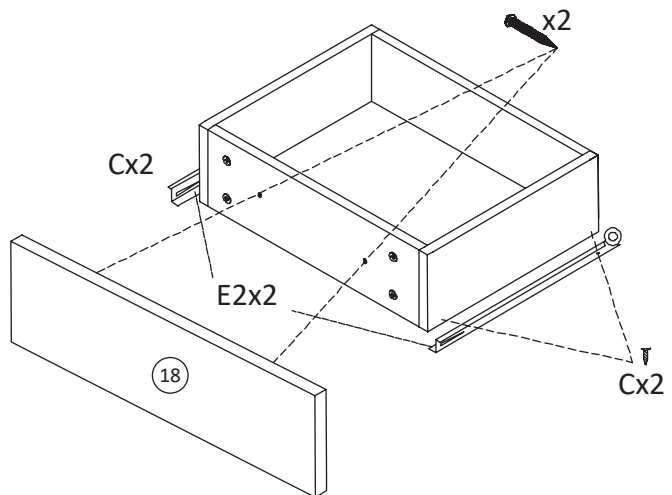
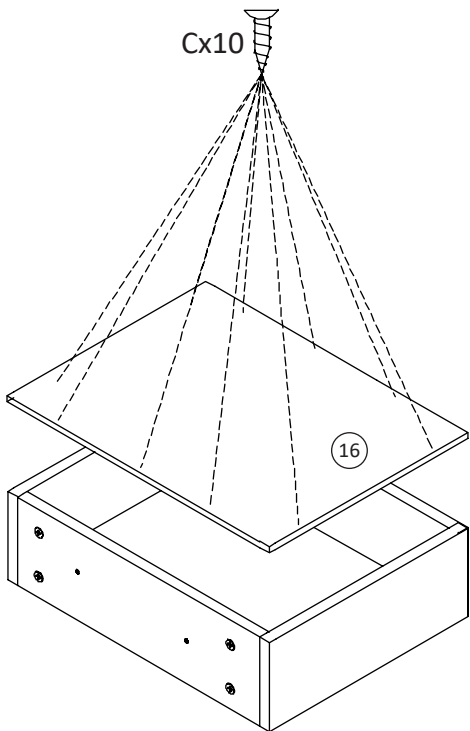
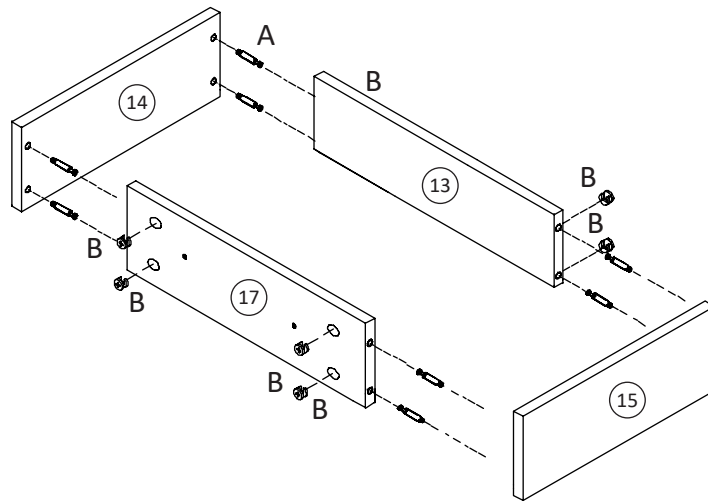
 	<p>Bx10</p> 	<p>Hx8</p> 	<p>Fx8</p> 
--	---	--	--





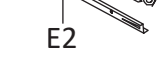


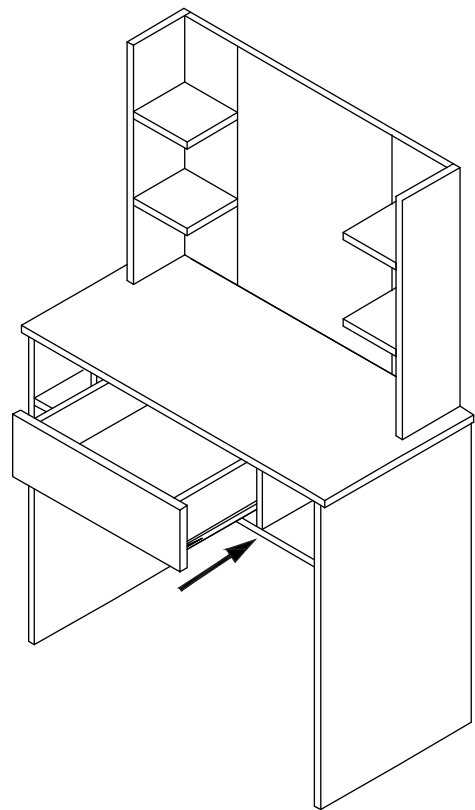
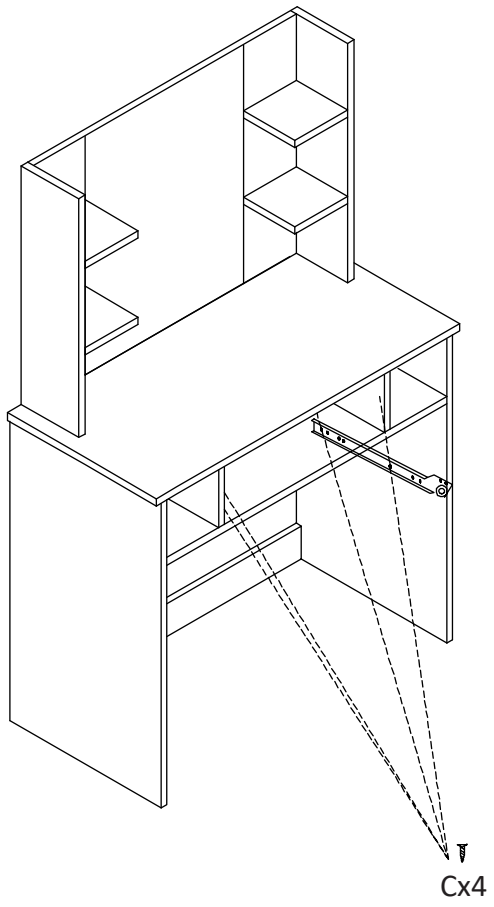
 	<p>Bx12</p> 	<p>Hx3</p> 	<p>Fx3</p> 
--	---	--	--



 <p>€ \$ £ 🛒</p>	<p>Ax8</p> 	<p>Bx8</p> 	<p>Cx14</p>  <p>M3.5x $\frac{14}{0.6}$</p>	<p>Dx2</p>  <p>M4x $\frac{25}{1.0}$</p>	<p>Ex2</p> 
---	--	--	--	---	--



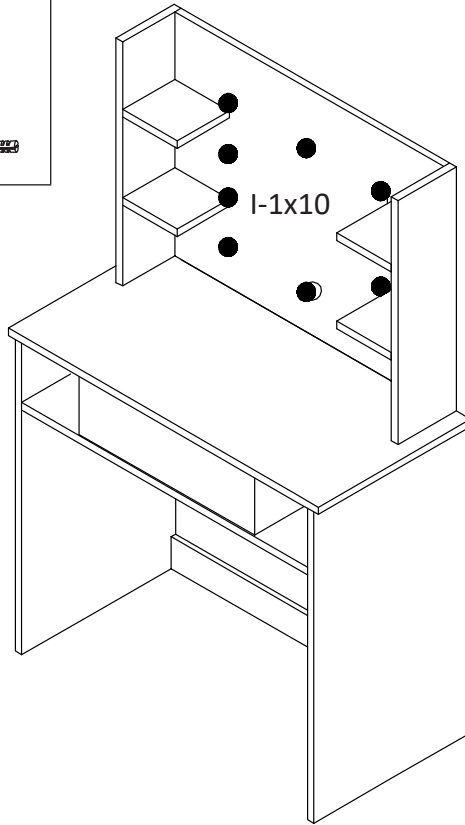
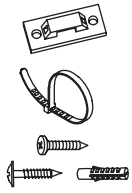
 	<p>Cx4</p>  <p>M3.5x $\frac{14}{0.6}$</p>	<p>Ex2</p>  
--	--	---



Mx10



Nx1



I-2x10

