

6-Light Round Glass Chandelier

Caution: Please turn off power before installation and read the manual carefully, we advise you contact professional electricians to install for safety purpose.

Product Features

Style: Modern/Contemporary/Classic

Material: Metal

Color: Gold

Base Type: E12

Light Source Included: Yes

Voltage: 110VAC

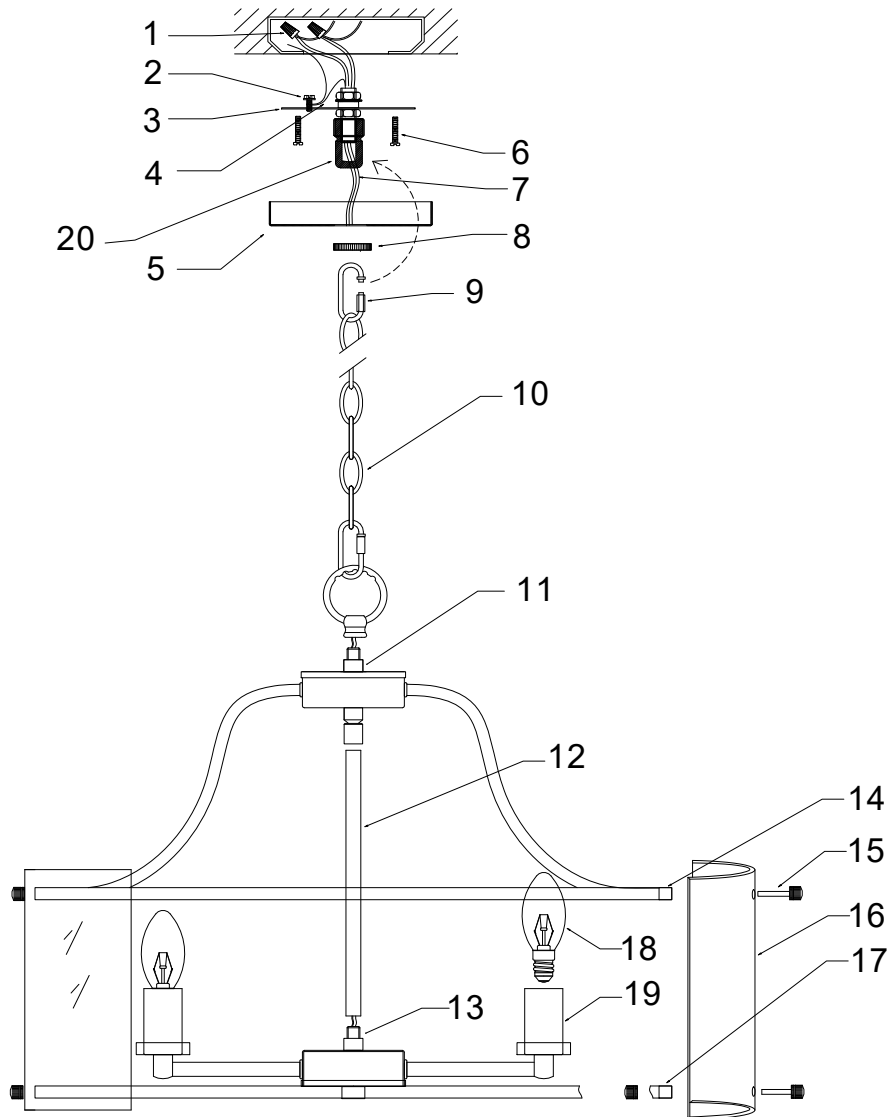
Wattage: 40 W

Package includes

1 x Chandelier Light

1 x Accessories Kit

1 x User's Manual



Installation Instructions

A: Use screws (15) to tighten the glass panels (16) onto the metal ring frames (14) and (17) respectively.

B: Thread the straight pipe (12) through the main wire (7) and ground wire (4), and tighten it onto the lamp tube (13). Pass the chain (10) and the ceiling canopy (5) through the main wire (7) and ground wire (4), and secure them by twisting onto the threaded tube (11).

C: Secure the backplate (3) onto the junction box using the junction box screws (6).

D: Connect the chain (10) and the upper crystal loop (20) with the hook (9).

E: Connect the positive pole (marked wire) of the main wire (7) to the positive pole (+) of the power line through the wire connector (1). Similarly, connect the negative pole (unmarked wire) to the negative pole (-) of the power line through the wire connector (1). Ensure that the bare wire is not exposed to prevent electrical leakage. Secure the lamp body ground wire (4) and external ground wire to the backplate (3) with the green screw (2).

F: Push the ceiling canopy (5) to the ceiling, and secure the outer ring (8) of the crystal loop of the chain (9) with the crystal loop (20). Finally, tighten the light source (18) onto the lamp holder (19) according to the label.

Note: please use this product accordingly to its intended purpose, do not retrofit or remodeling the product. The warranty does not cover if the failure is caused by the third party product, or natural disasters.